

VEVOR[®]

TOUGH TOOLS, HALF PRICE

Technical Support and E-Warranty Certificate www.vevor.com/support

CABIN PLAYHOUSE

MODEL:TLG92008

We continue to be committed to provide you tools with competitive price. "Save Half", "Half Price" or any other similar expressions used by us only represents an estimate of savings you might benefit from buying certain tools with us compared to the major top brands and does not necessarily mean to cover all categories of tools offered by us. You are kindly reminded to verify carefully when you are placing an order with us if you are actually saving half in comparison with the top major brands.

VEVOR[®]

TOUGH TOOLS, HALF PRICE

CABIN PLAYHOUSE

MODEL:TLG92008



NEED HELP? CONTACT US!

Have product questions? Need technical support? Please feel free to contact us:

Technical Support and E-Warranty Certificate
www.vevor.com/support

This is the original instruction, please read all manual instructions carefully before operating. VEVOR reserves a clear interpretation of our user manual. The appearance of the product shall be subject to the product you received. Please forgive us that we won't inform you again if there are any technology or software updates on our product.

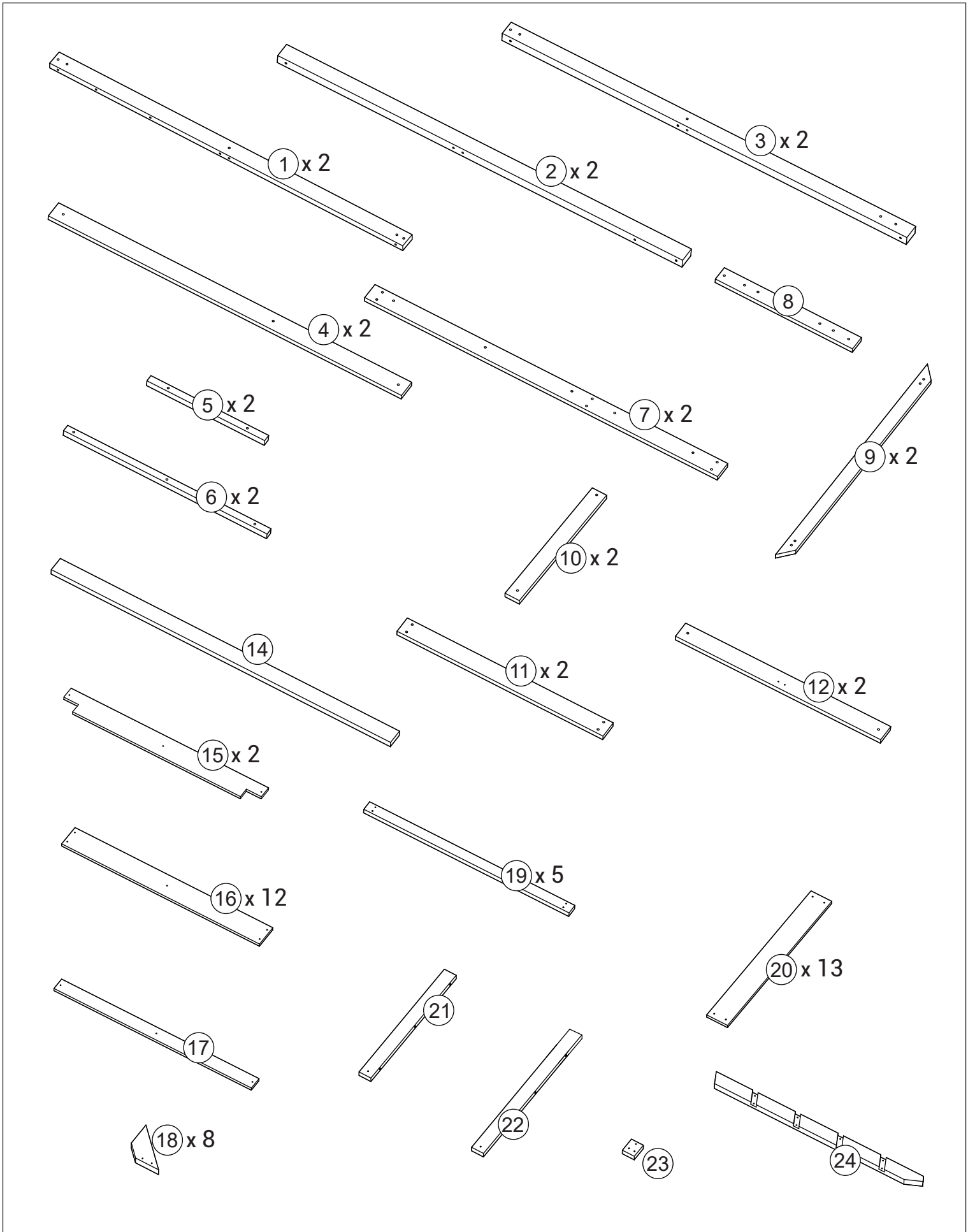
SAFETY INSTRUCTIONS

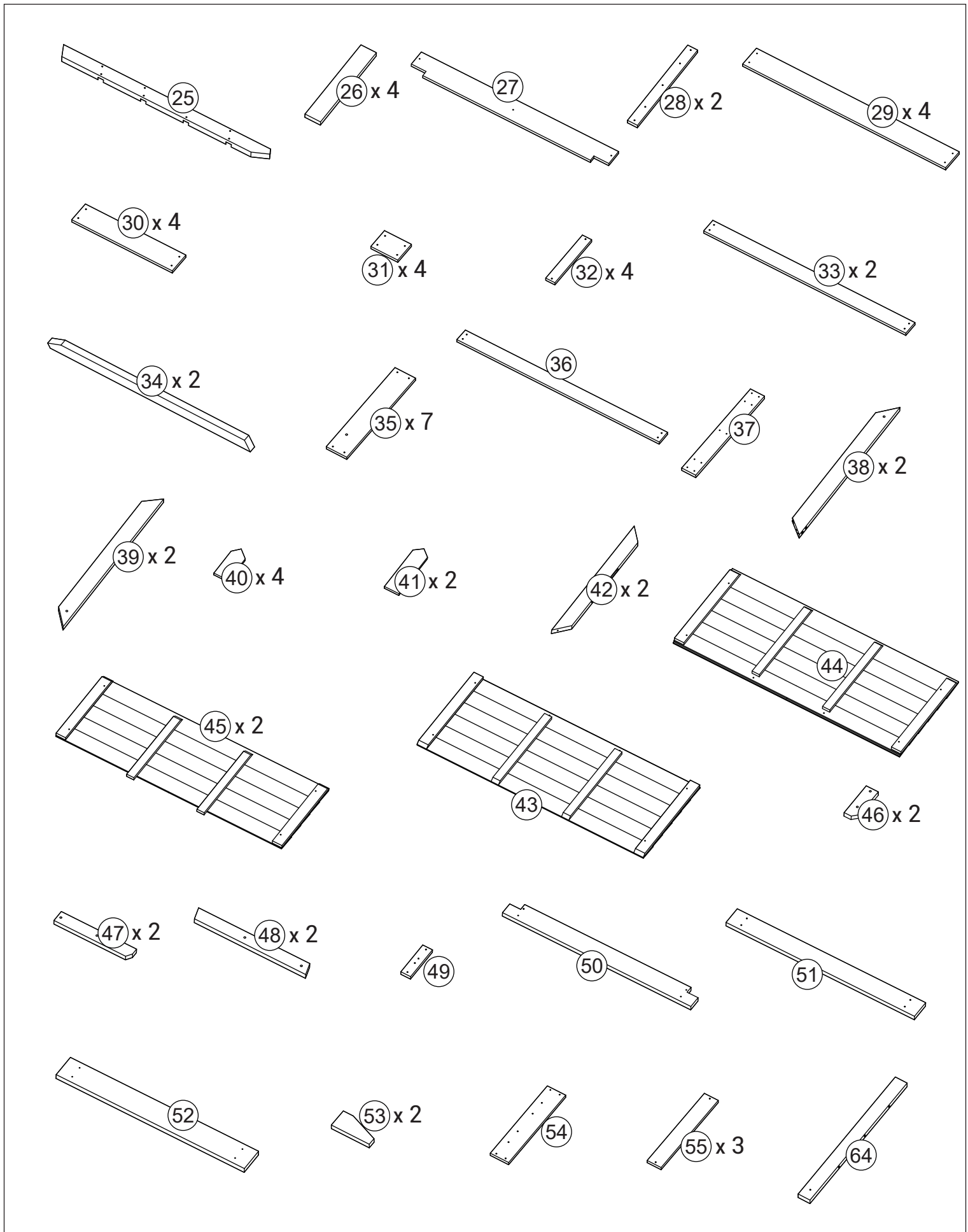
WARNING:

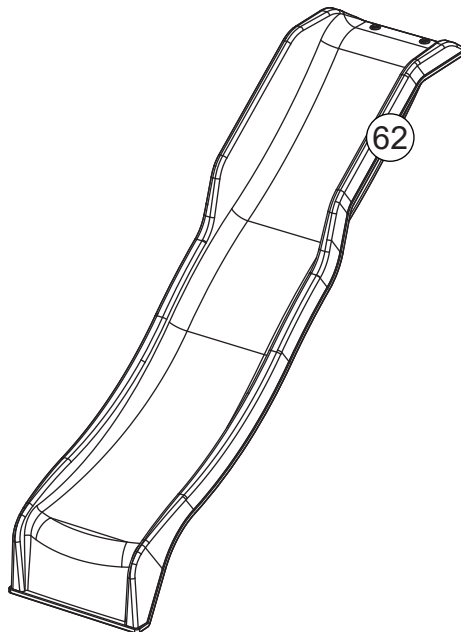
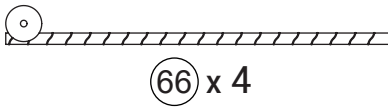
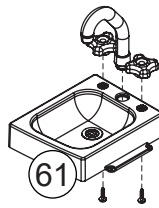
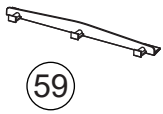
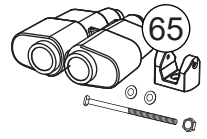
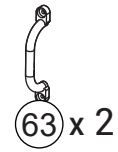
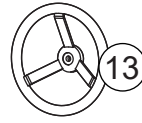
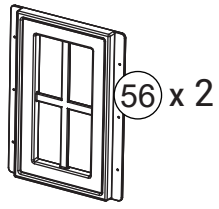
1. This manual lists the contents included in the box. Please take time to identify the hardware as well as the individual components of the product.
2. As you unpack and prepare for assembly, place the contents on a carpeted or padded area to protect them from damage.
3. Small parts present in unassembled state. It's a choking hazard!
4. Please follow the assembly instructions closely. Improper assembly can result in personal or property damage.
5. Assembled by an adult. In the process of play, parents should always accompany the children's side.
6. Do not install it in a dark, damp place.
7. Put it in a place with good ventilation.
8. Clean and disinfect your product frequently to keep it clean and hygienic.
9. Do not overload.







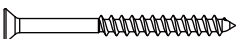
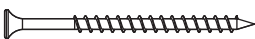
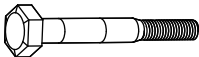
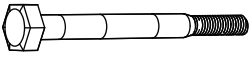
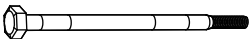
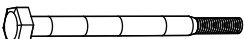

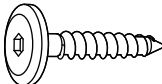
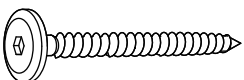
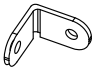
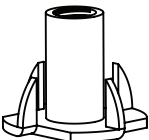
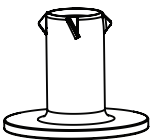
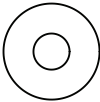
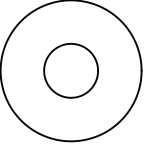
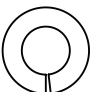
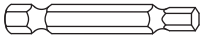
MODEL AND PARAMETERS

Model	TLG92008
Age of application	3-10 age
Product Size	2320*3100*2690mm
Material	Wood







A	x 20	B	x 8	C	x 4	D	x 39	E	x 222
									
15mm		20mm		20mm		25mm		35mm	
F	x 76	G	x 20	H	x 15	I	x 8	J	x 20
									
45mm		60mm		70mm		H2		H3	
K	x 30	L	x 6	M	x 7	N	x 4	O	x 8
									
H4		H12		PB2		WL3		WL5	
P	x 4	Q	x 64	R	x 7	S	x 24	T	x 85
									
		TN1		BN1		FW3		FW1	
U	x 71	x 1							
									
LW1		D6							

Cleaning and Care:

Clean surfaces with a dry or damp soft cloth. Do not use abrasive cleaners.

Nettoyage et Entretien:

Nettoyer les surfaces avec un chiffon doux, sec ou humide. Ne pas utiliser de nettoyeurs abrasifs.

Limpieza y Cuidado:

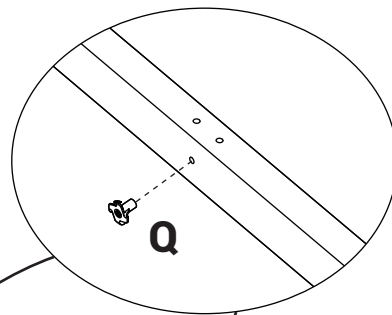
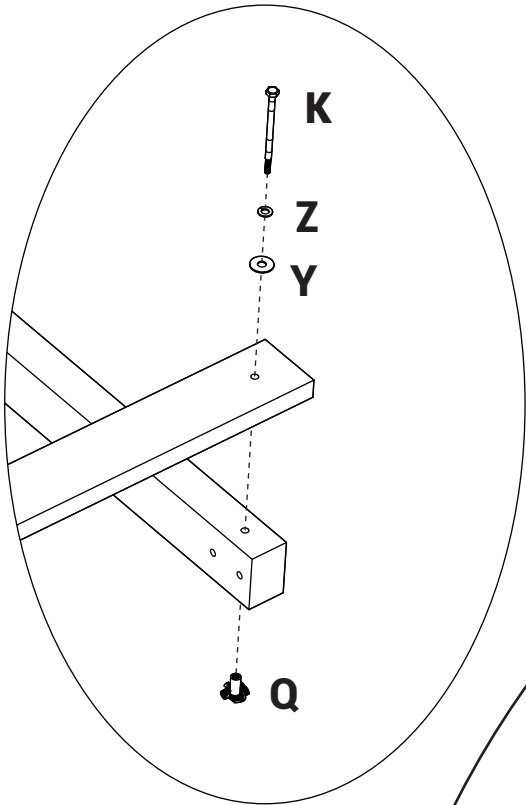
Limpie las superficies con un paño suave seco o húmedo. No use limpiadores abrasivos.

Step
Étape
Paso

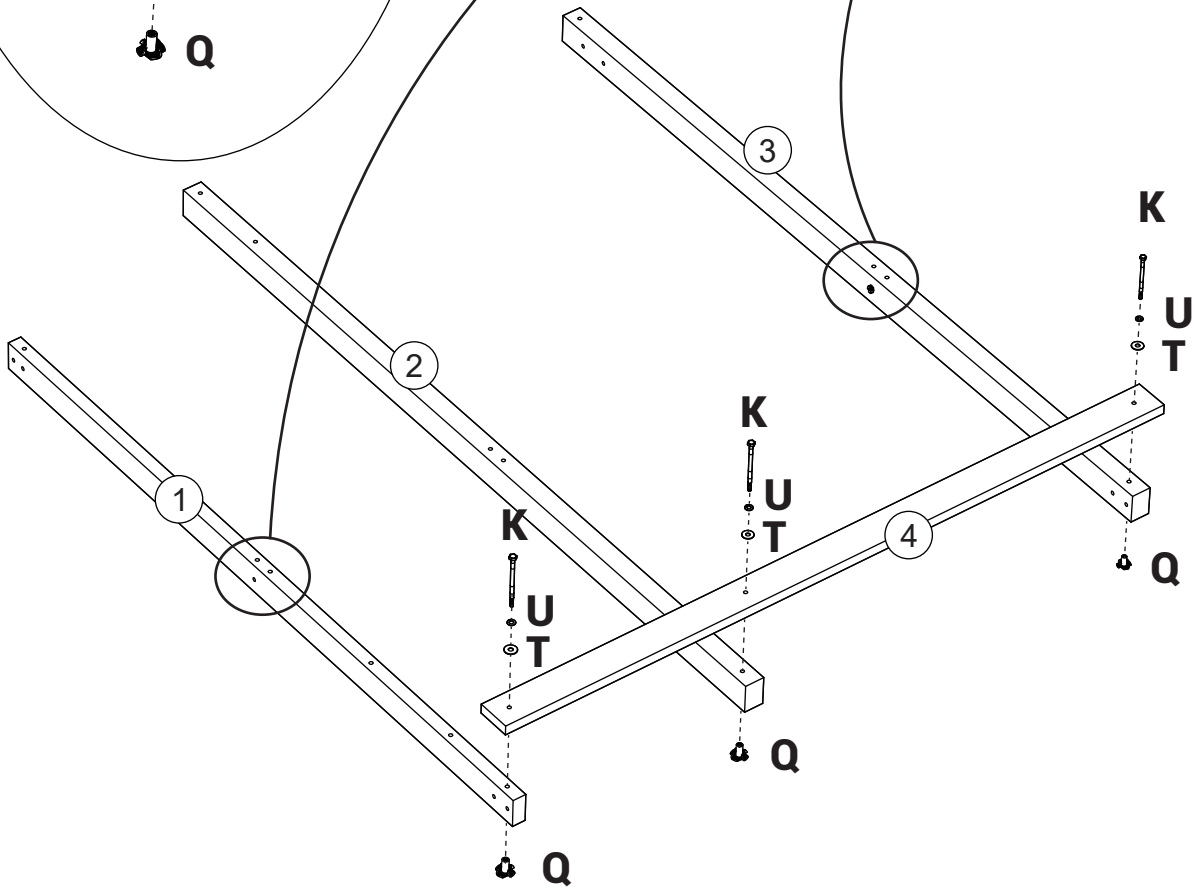
1



①	x 1
②	x 1
③	x 1
④	x 1
Ⓚ	x 3
Ⓠ	x 5
Ⓣ	x 3
Ⓤ	x 3

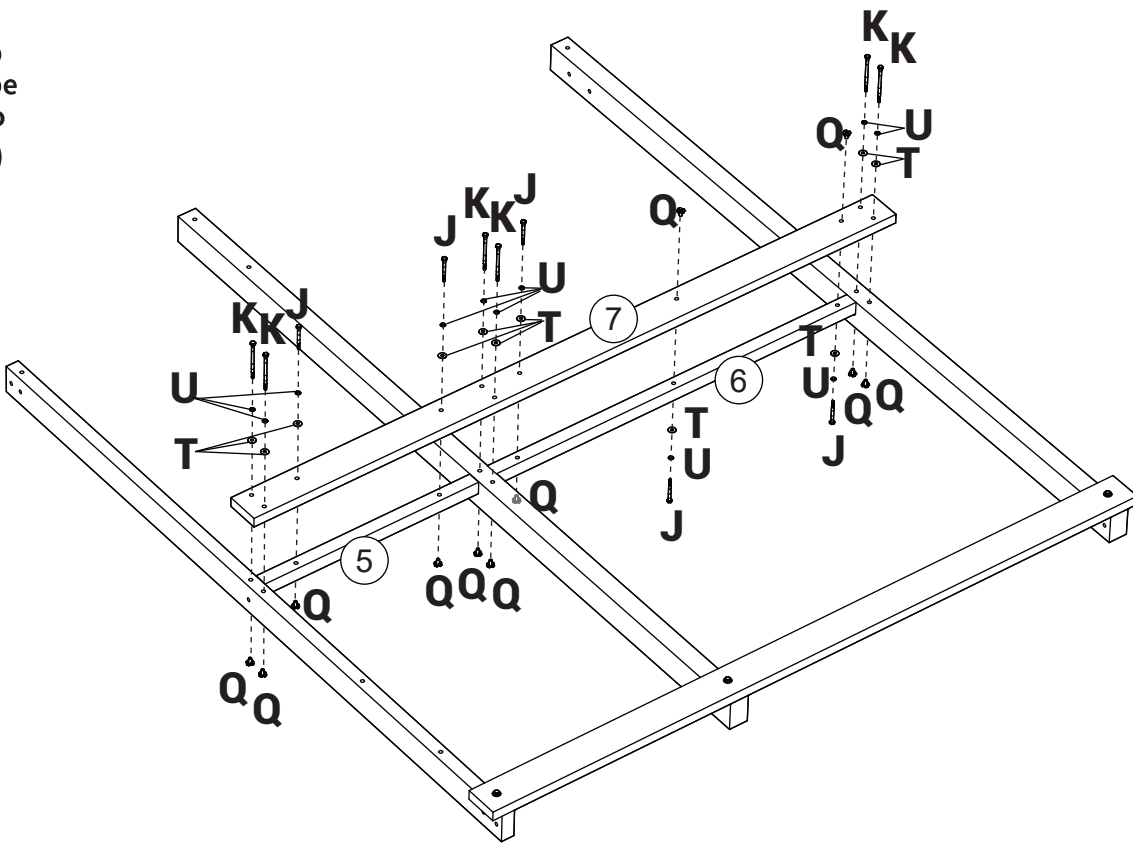


Assemble T-Nuts first
with hammer!



Step
Étape
Paso

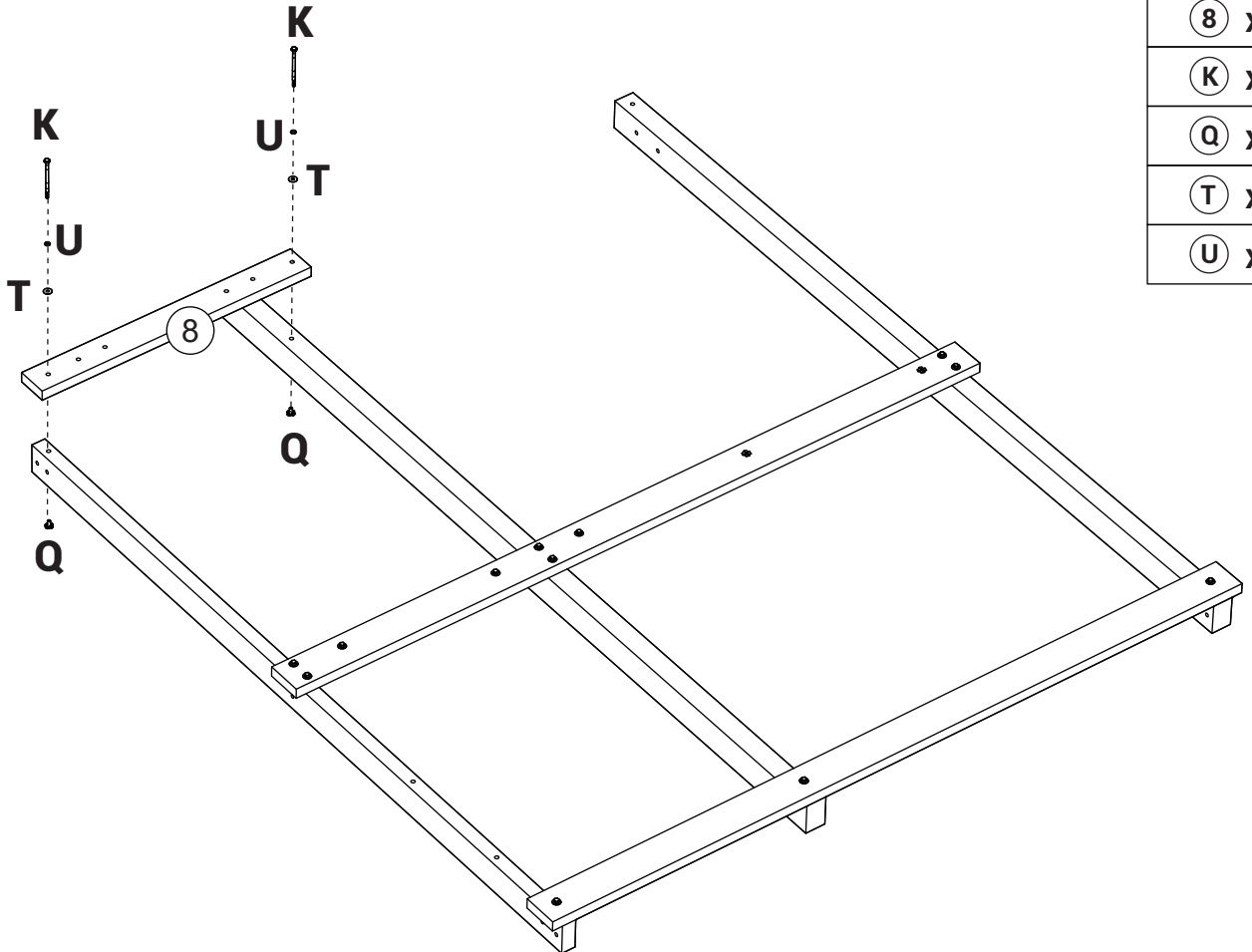
2



5	x 1
6	x 1
7	x 1
K	x 6
J	x 5
Q	x 11
T	x 11
U	x 11

Step
Étape
Paso

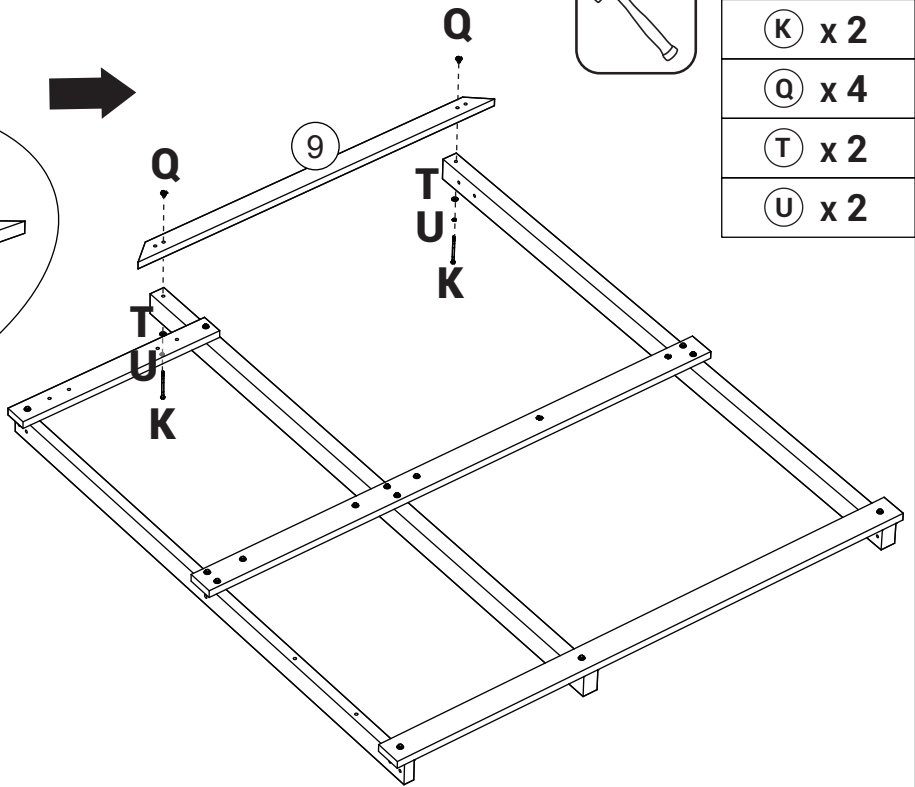
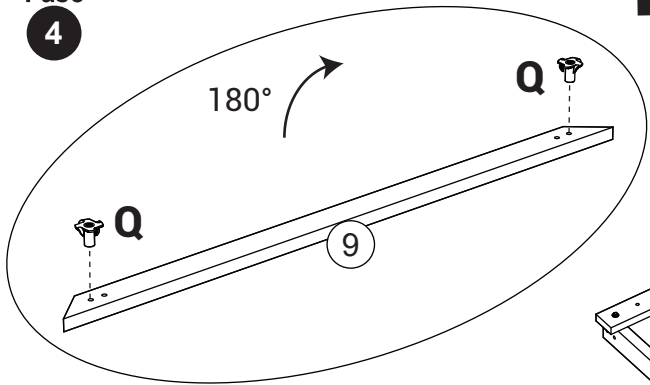
3



8	x 1
K	x 2
Q	x 2
T	x 2
U	x 2

Step
Étape
Paso

4

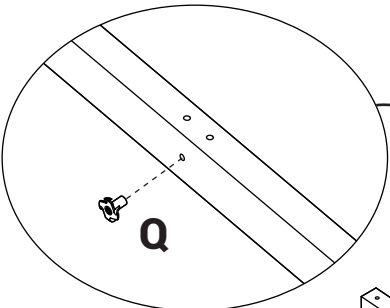


9	x 1
K	x 2
Q	x 4
T	x 2
U	x 2

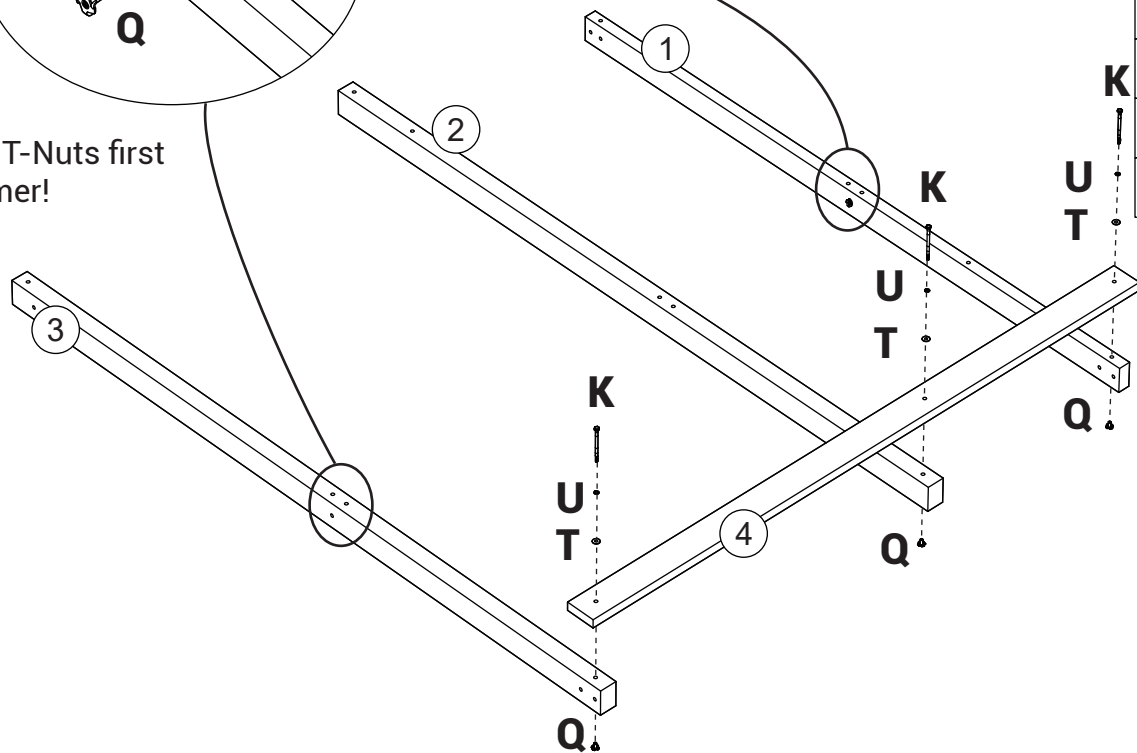
Assemble T-Nuts first with hammer!

Step
Étape
Paso

5



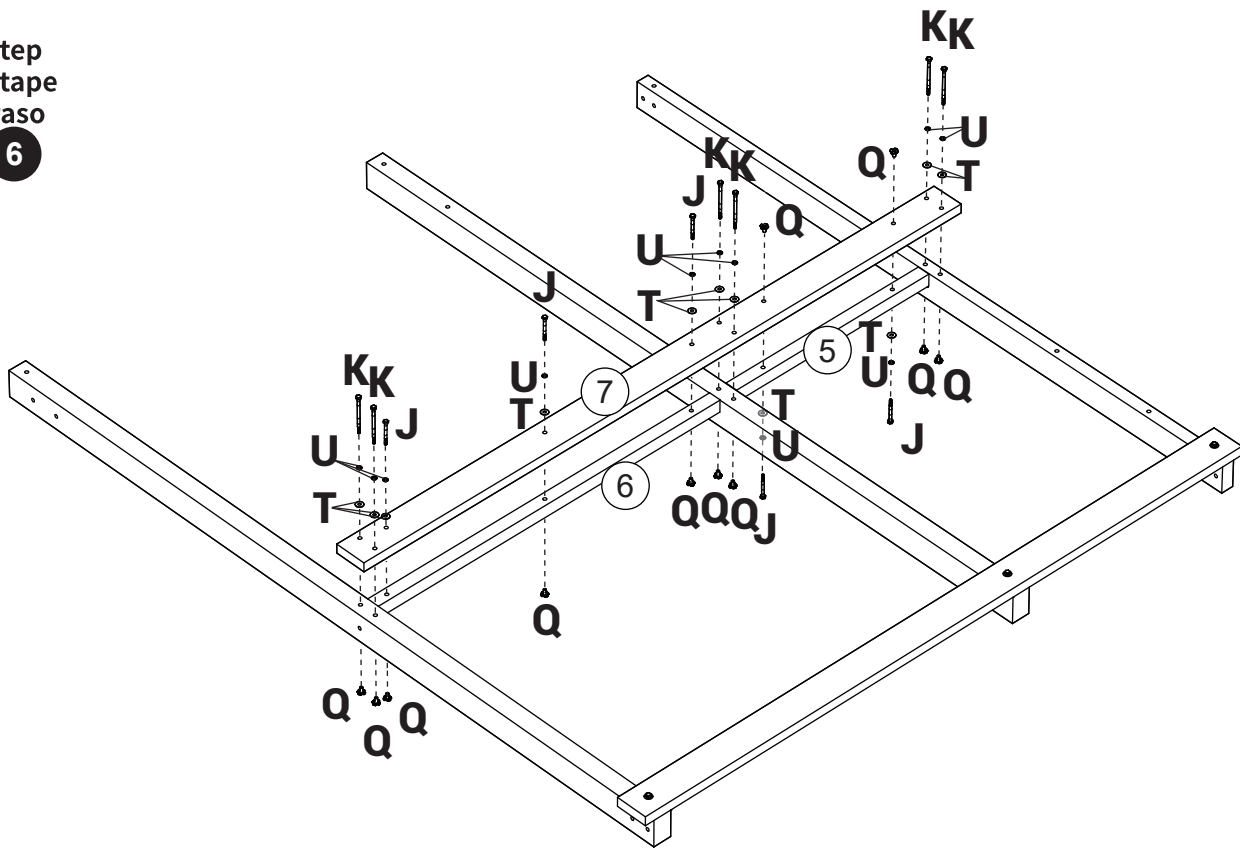
Assemble T-Nuts first with hammer!



1	x 1
2	x 1
3	x 1
4	x 1
K	x 3
Q	x 5
T	x 3
U	x 3

Step
Étape
Paso

6



⑤ x 1

⑥ x 1

⑦ x 1

Ⓚ x 6

Ⓝ x 5

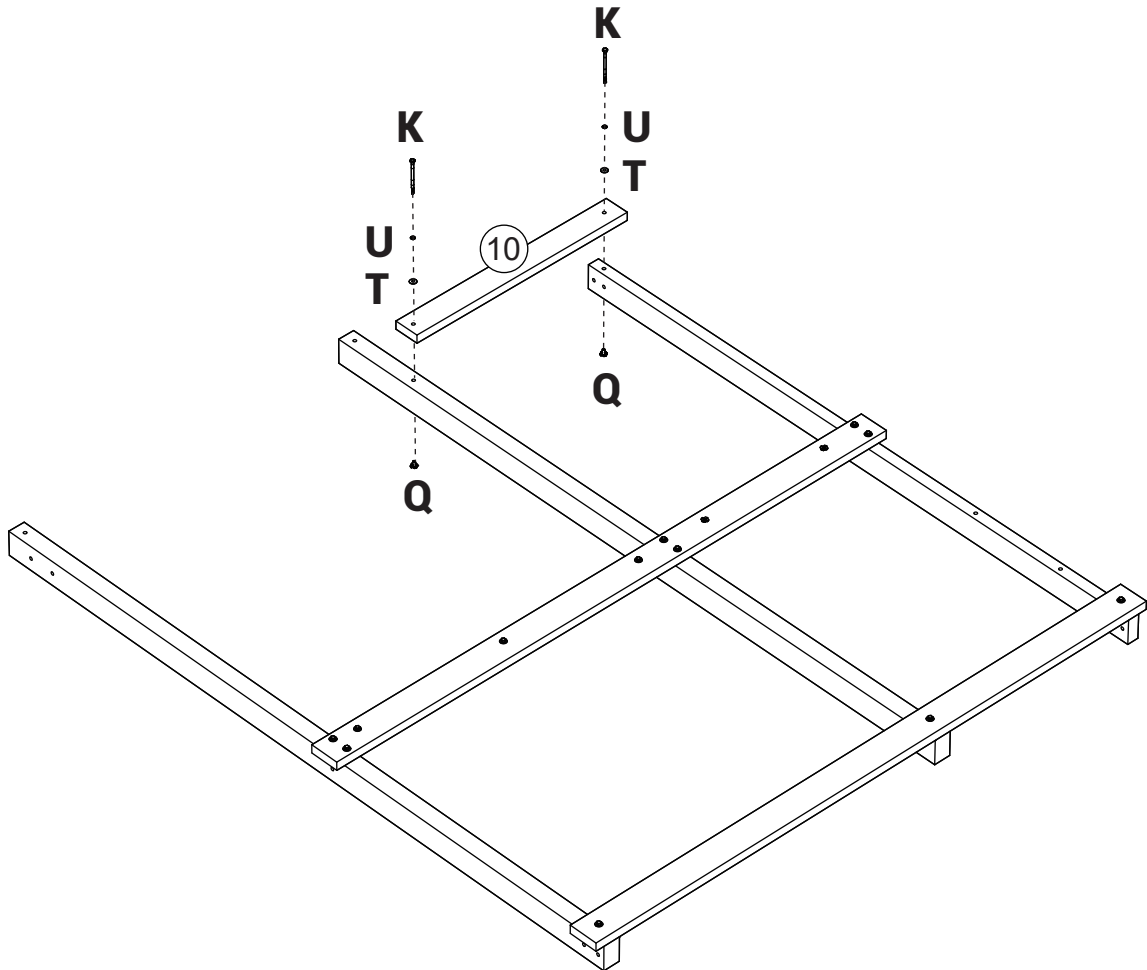
Ⓠ x 11

Ⓣ x 11

Ⓤ x 11

Step
Étape
Paso

7



⑩ x 1

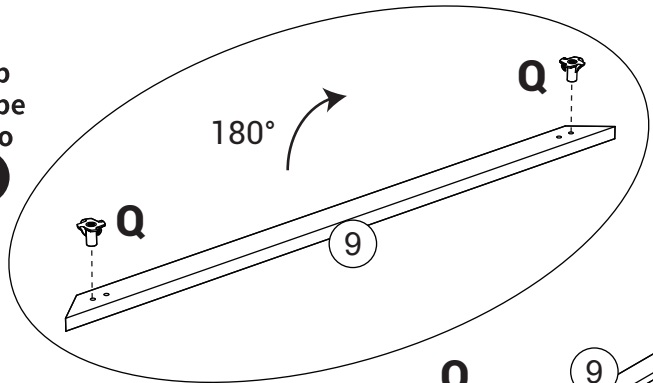
Ⓚ x 2

Ⓠ x 2

Ⓣ x 2

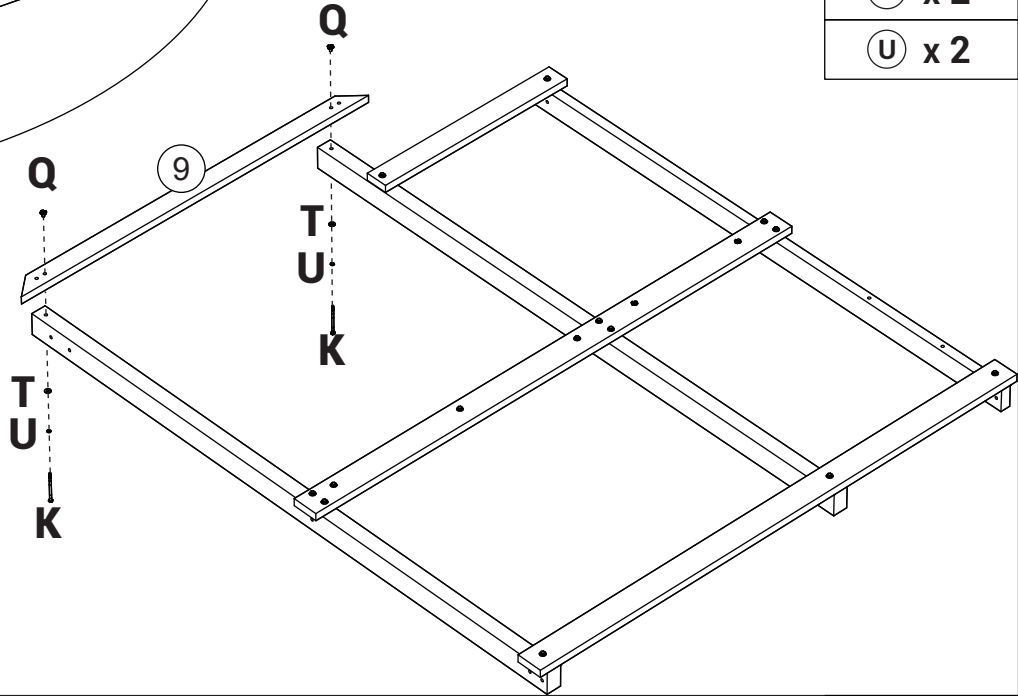
Ⓤ x 2

Step
Étape
Paso
8

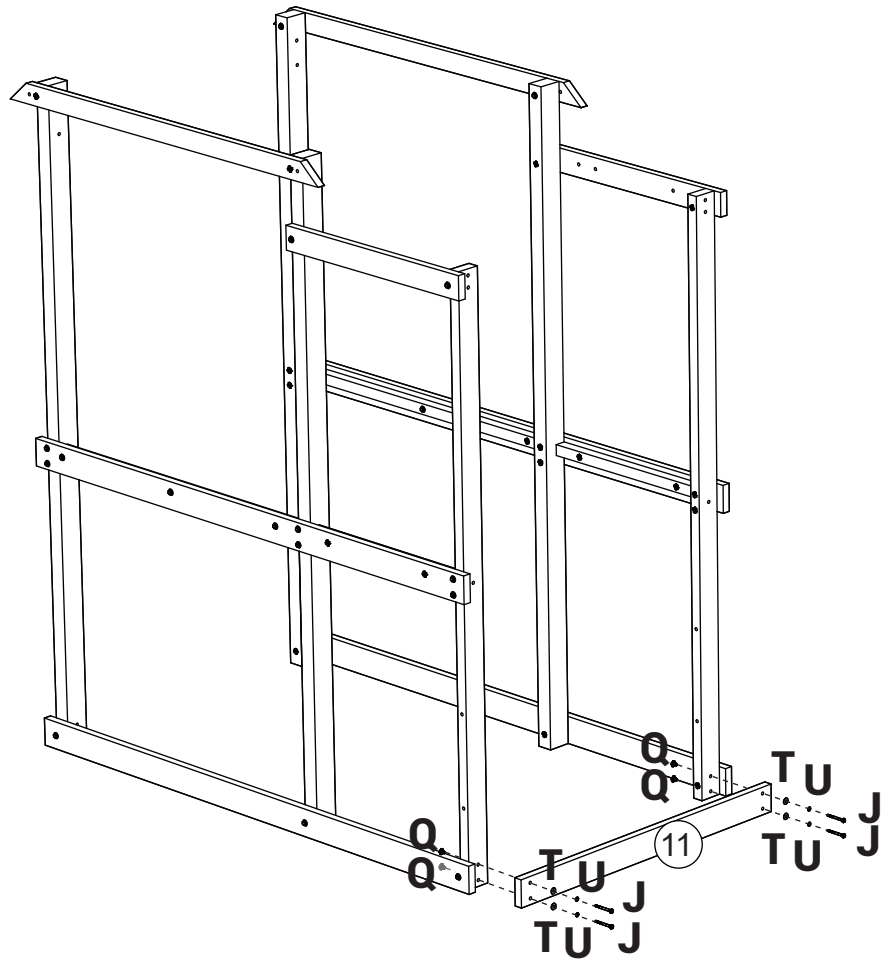


9	x 1
K	x 2
Q	x 4
T	x 2
U	x 2

Assemble T-Nuts first
with hammer!



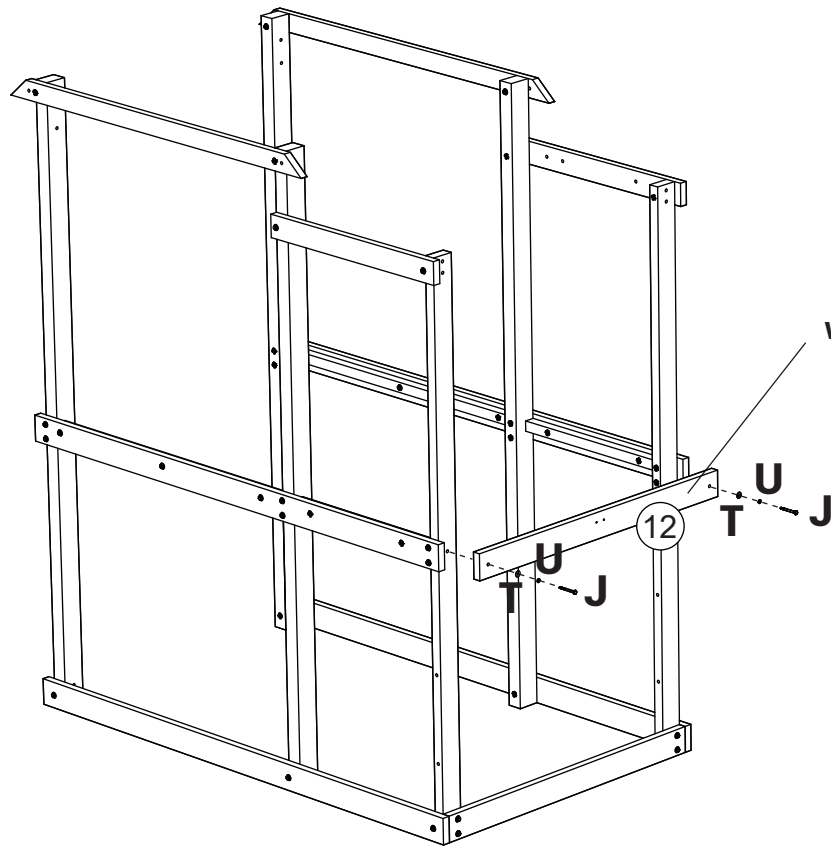
Step
Étape
Paso
9



11	x 1
J	x 4
Q	x 4
T	x 4
U	x 4

Step
Étape
Paso

10



12 x 1

J x 2

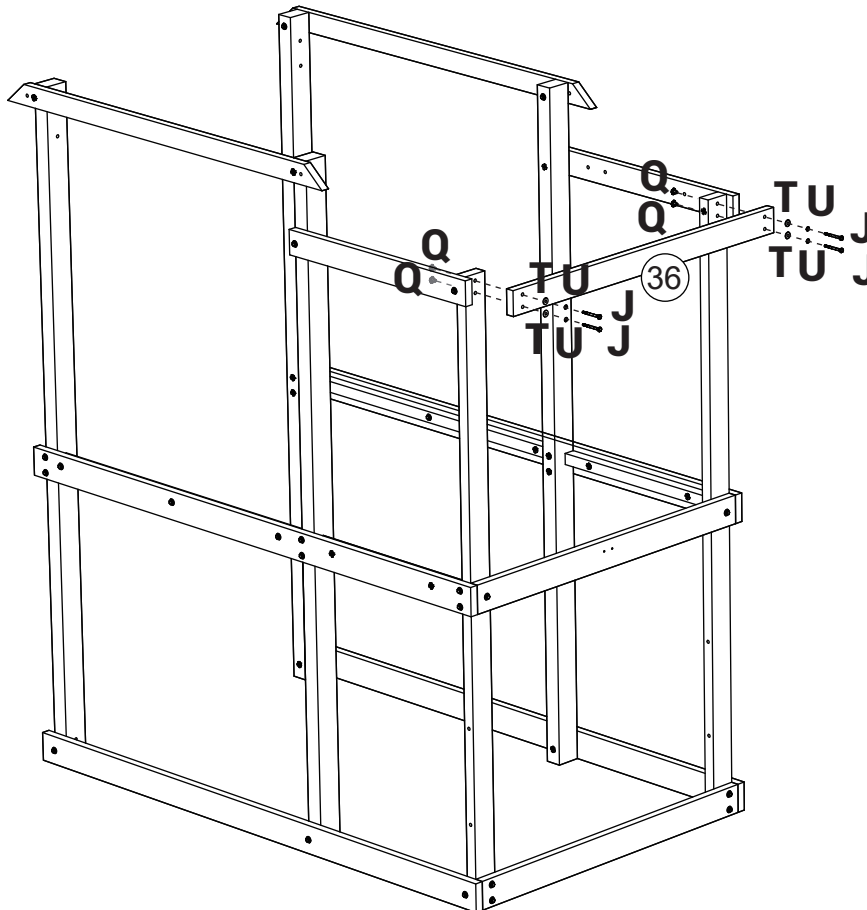
T x 2

U x 2

with logo

Step
Étape
Paso

11



36 x 1

J x 4

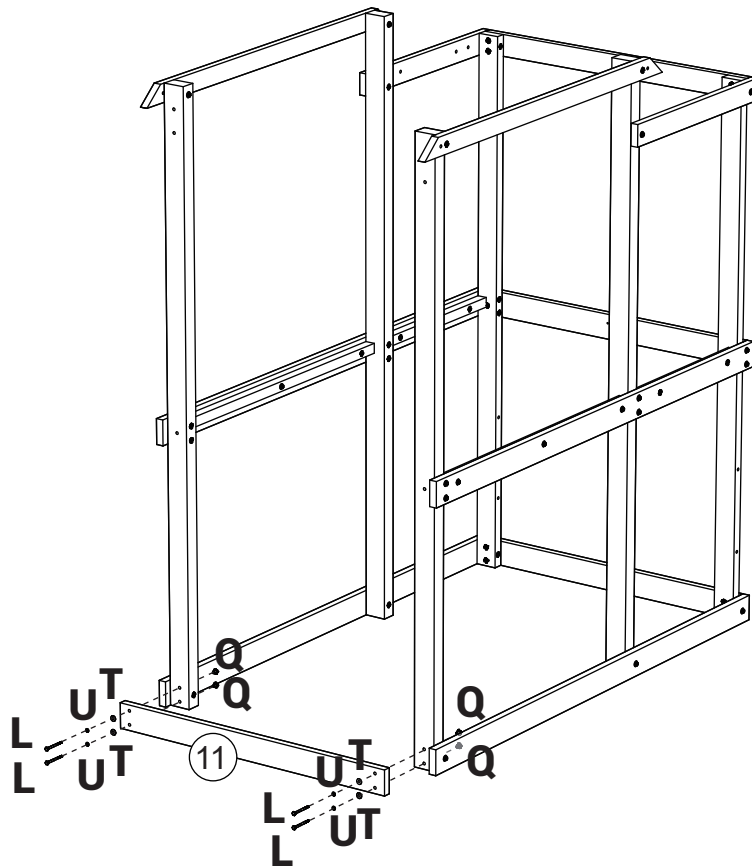
Q x 4

T x 4

U x 4

Step
Étape
Paso

12



①① x 1

Ⓛ x 4

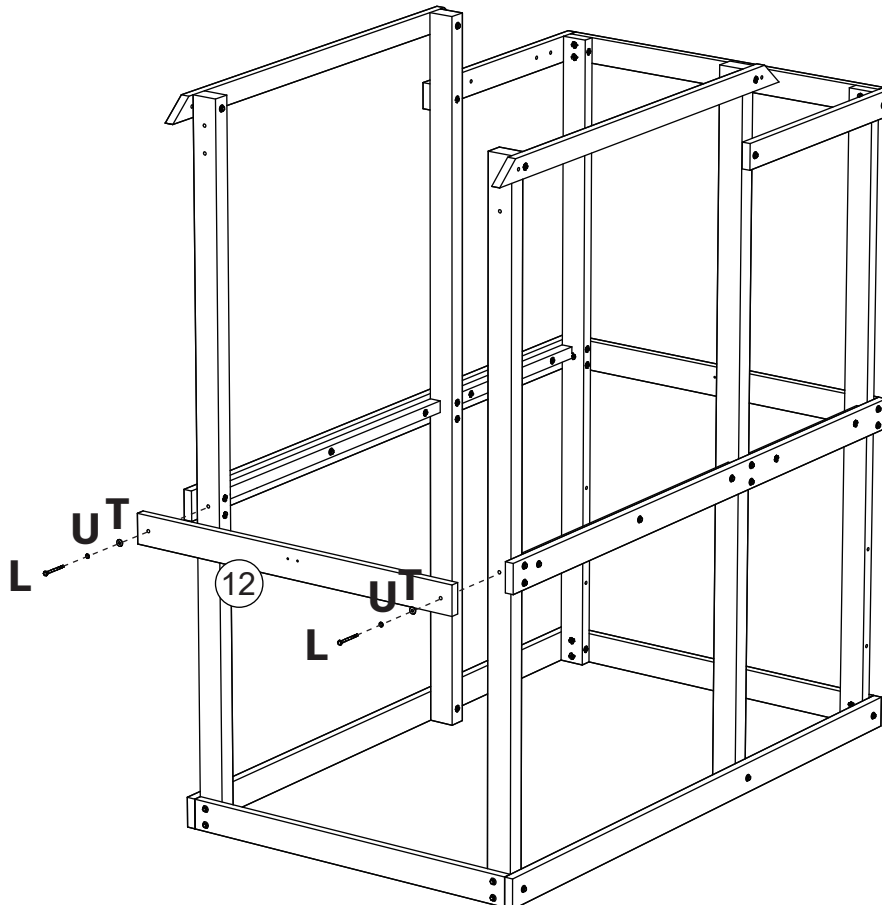
Ⓚ x 4

Ⓣ x 4

Ⓤ x 4

Step
Étape
Paso

13



①② x 1

Ⓛ x 2

Ⓣ x 2

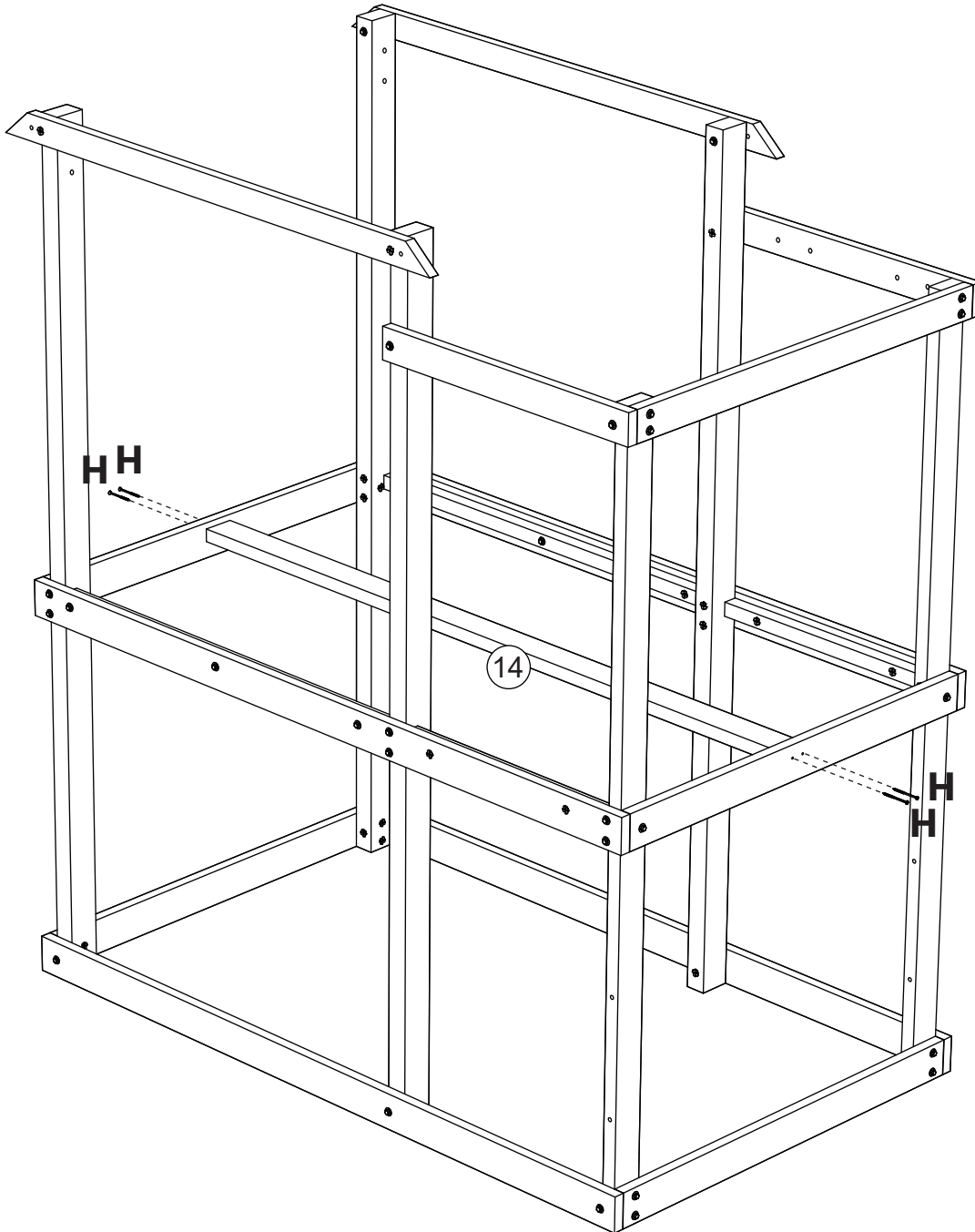
Ⓤ x 2

Step
Étape
Paso

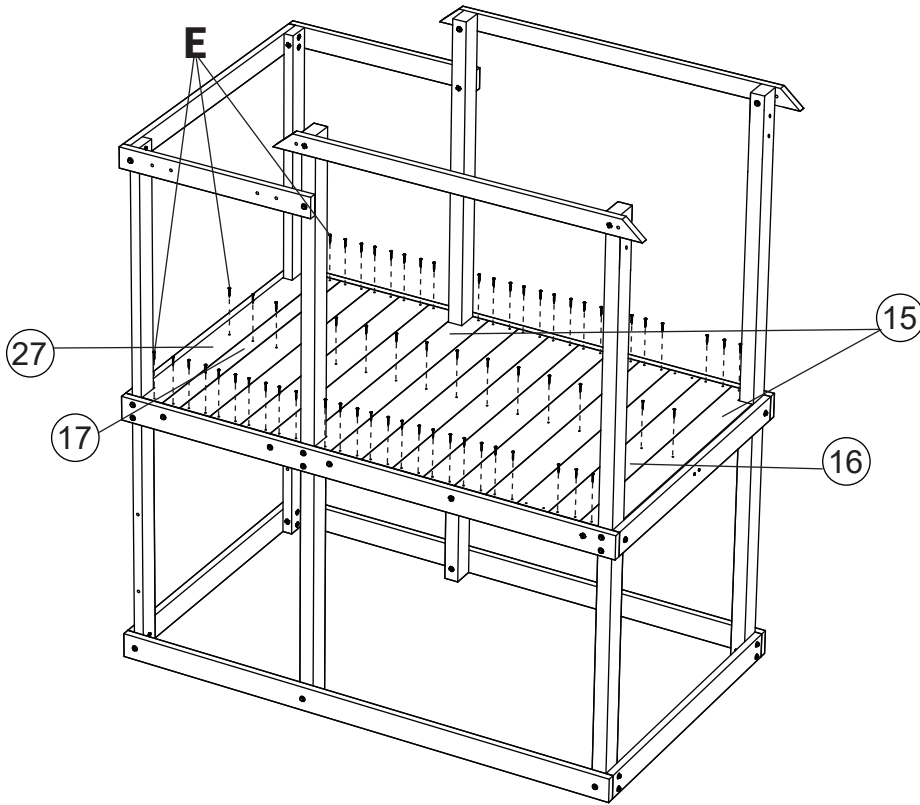
14

14 x 1

H x 4

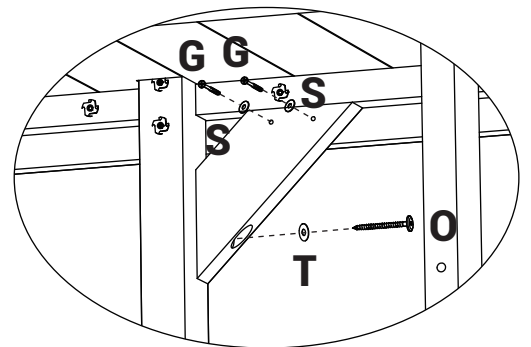
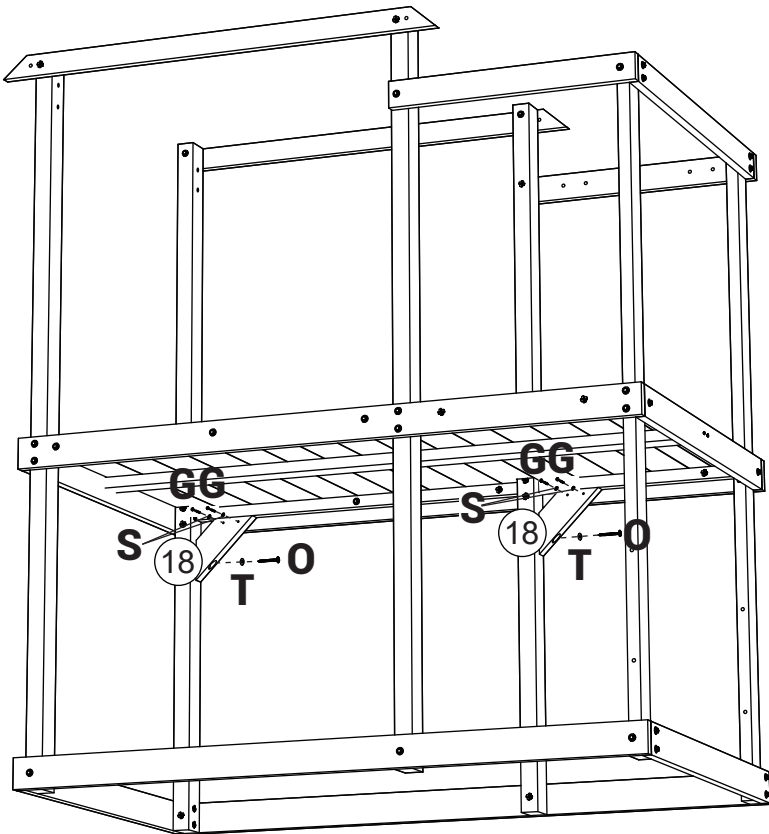


Step
Étape
Paso
15



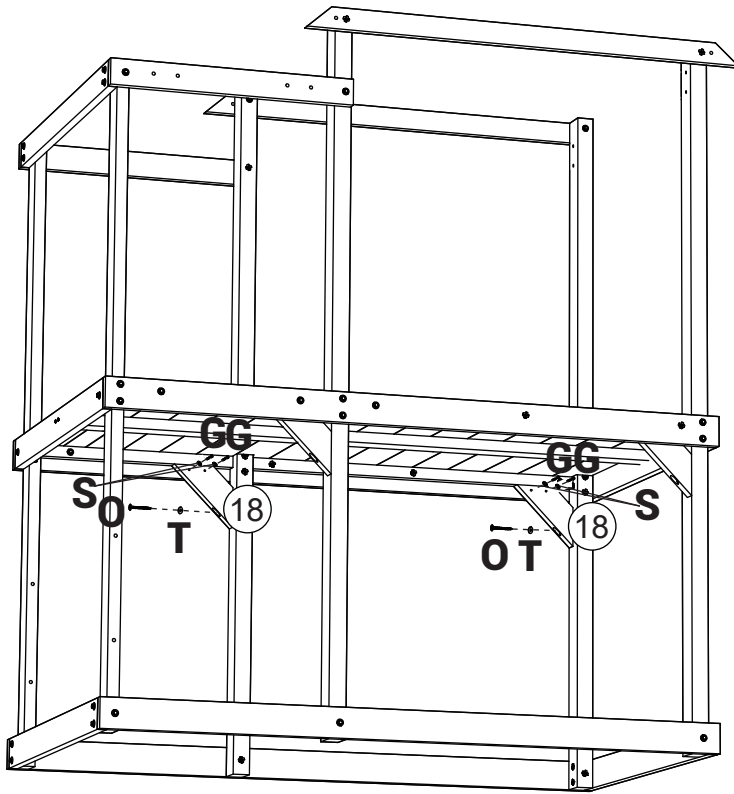
15	x 2
16	x 12
17	x 1
27	x 1
E	x 67

Step
Étape
Paso
16



18	x 2
G	x 4
O	x 2
S	x 4
T	x 2

Step
Étape
Paso
17



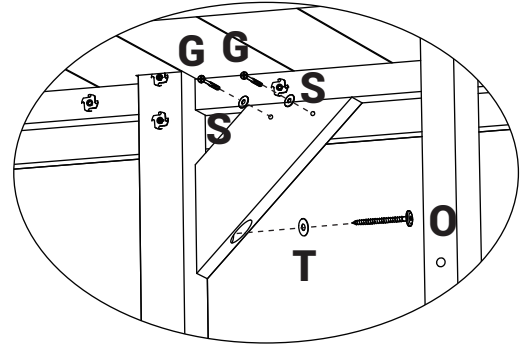
ⓑ x 2

Ⓒ x 4

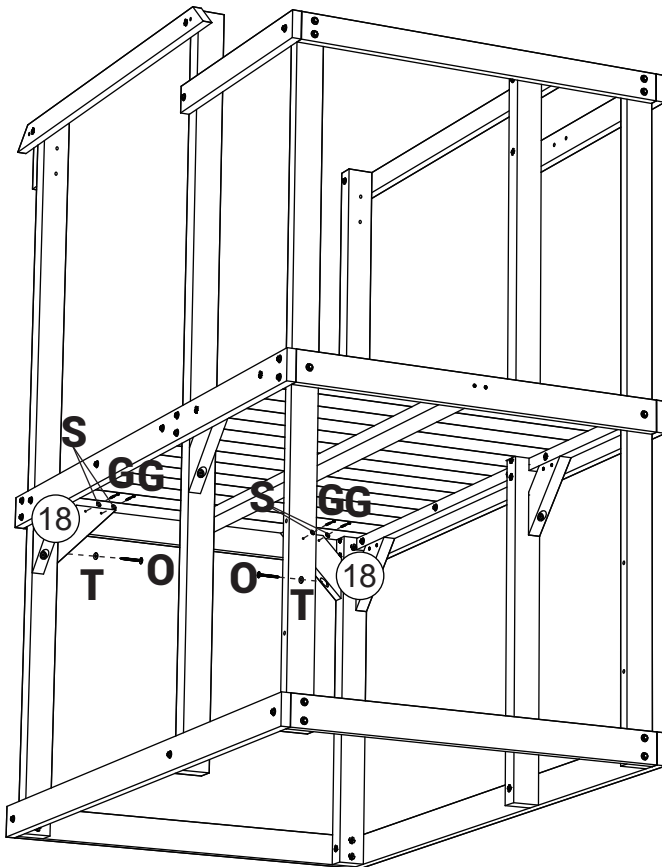
ⓐ x 2

Ⓢ x 4

Ⓣ x 2



Step
Étape
Paso
18



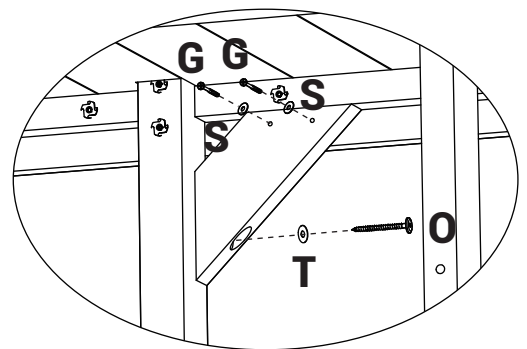
ⓑ x 2

Ⓒ x 4

ⓐ x 2

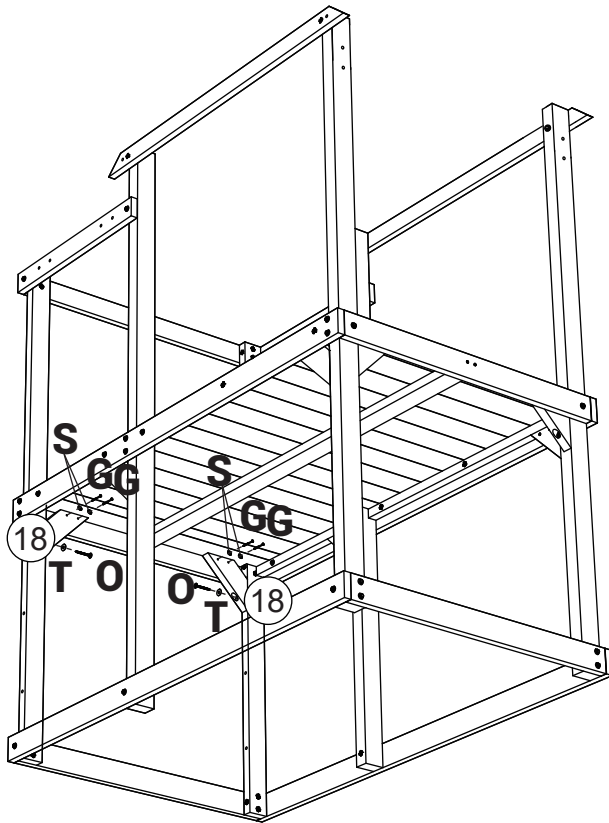
Ⓢ x 4

Ⓣ x 2



Step
Étape
Paso

19



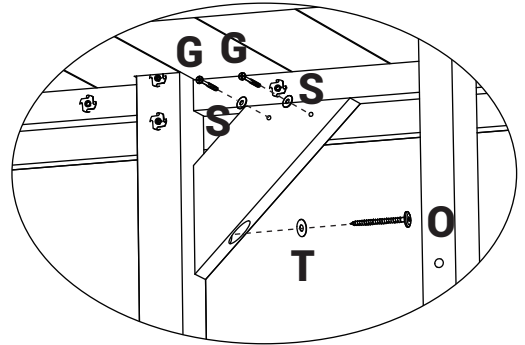
18 x 2

G x 4

O x 2

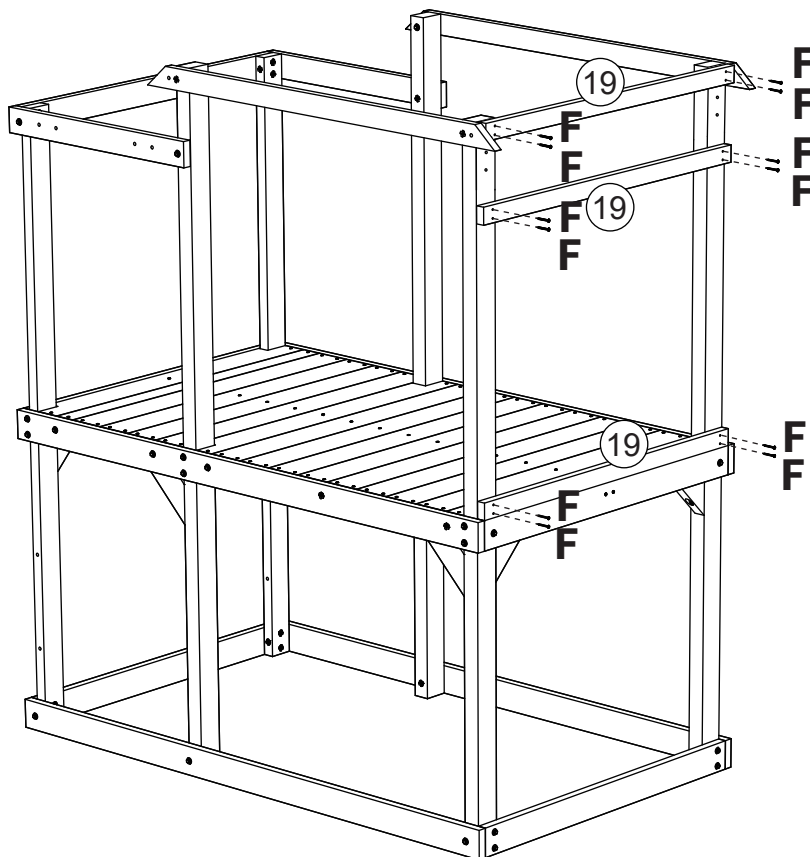
S x 4

T x 2



Step
Étape
Paso

20

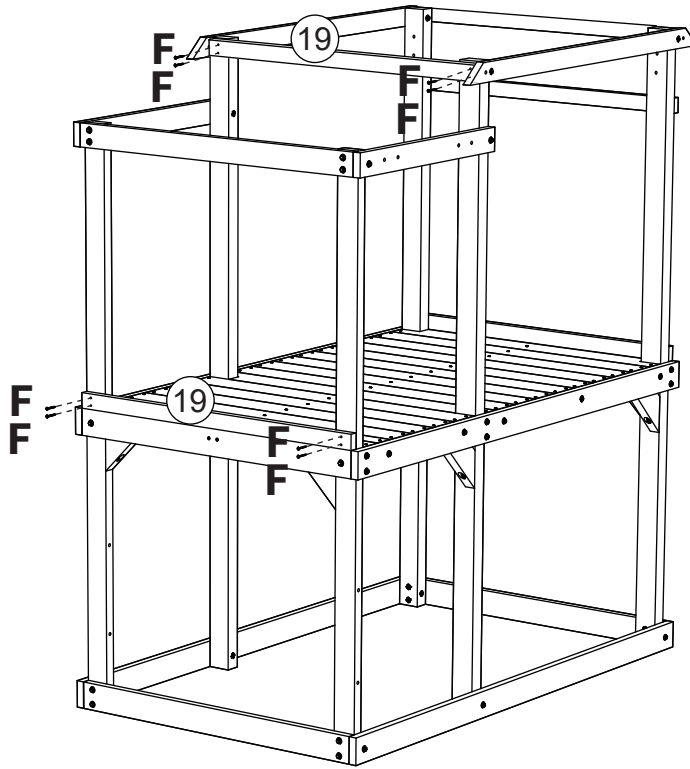


19 x 3

F x 12

Step
Étape
Paso

21

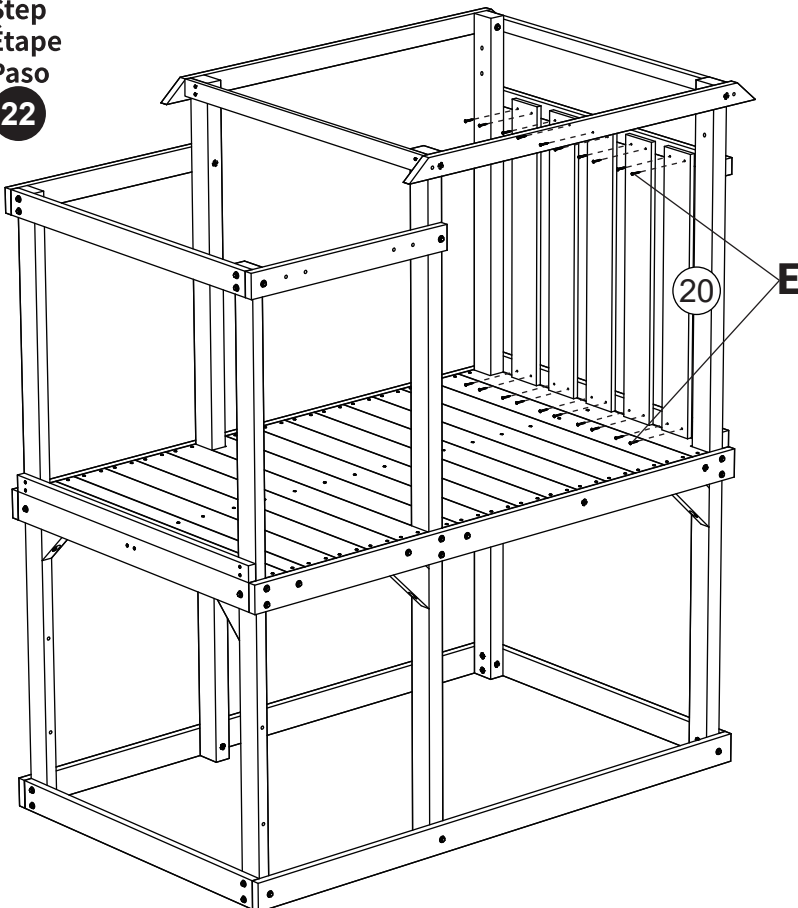


19 x 2

F x 8

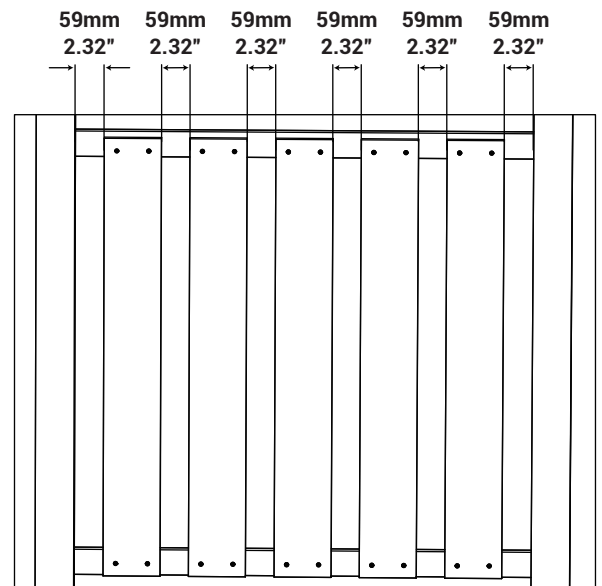
Step
Étape
Paso

22



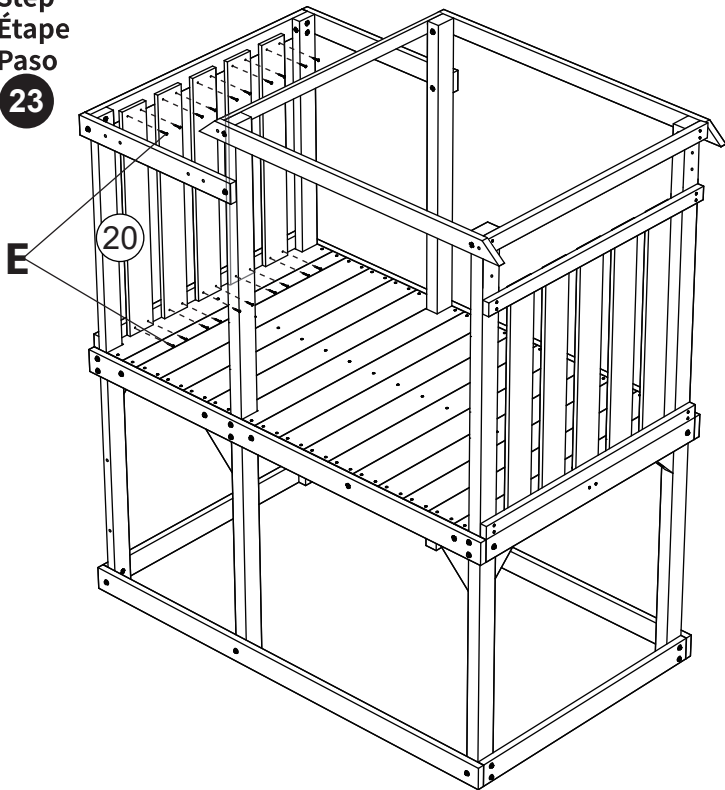
20 x 5

E x 20



Step
Étape
Paso

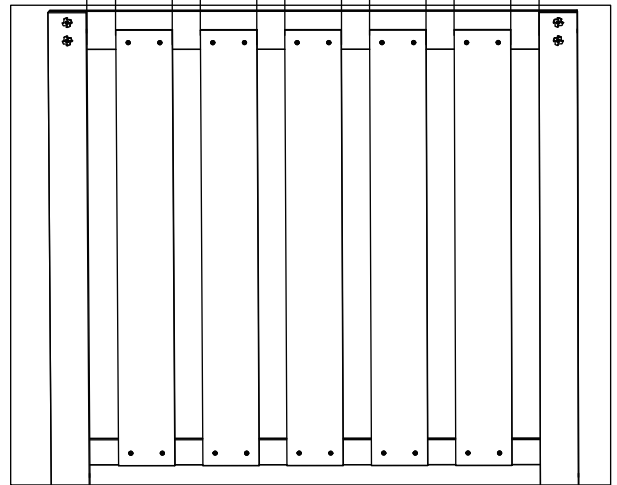
23



⓪ x 5

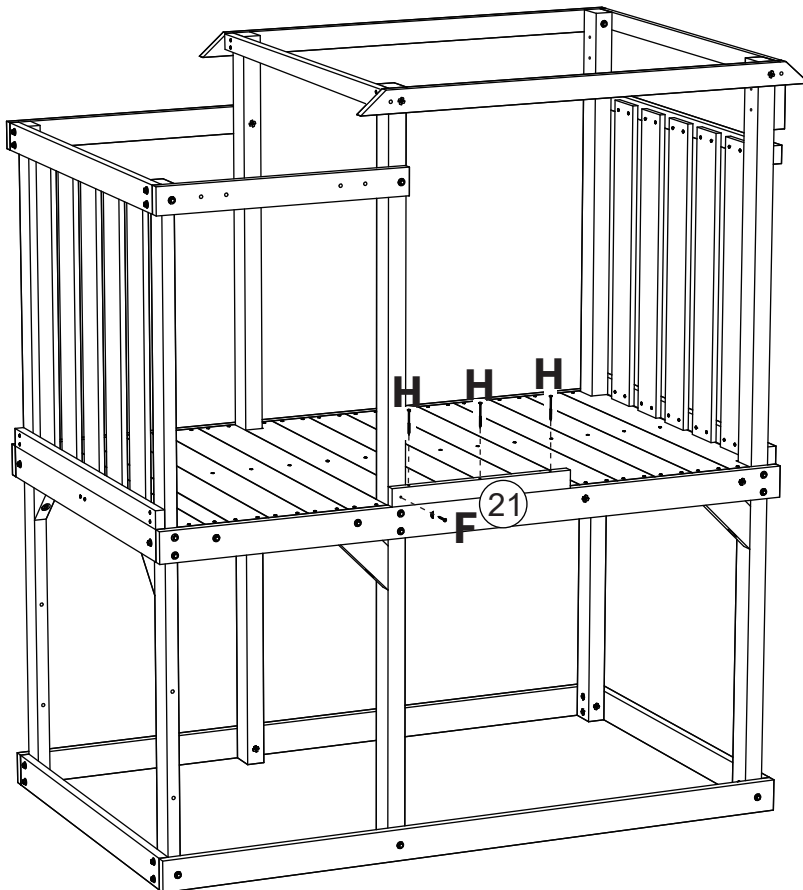
ⓔ x 20

59mm 59mm 59mm 59mm 59mm 59mm
2.32" 2.32" 2.32" 2.32" 2.32" 2.32"



Step
Étape
Paso

24



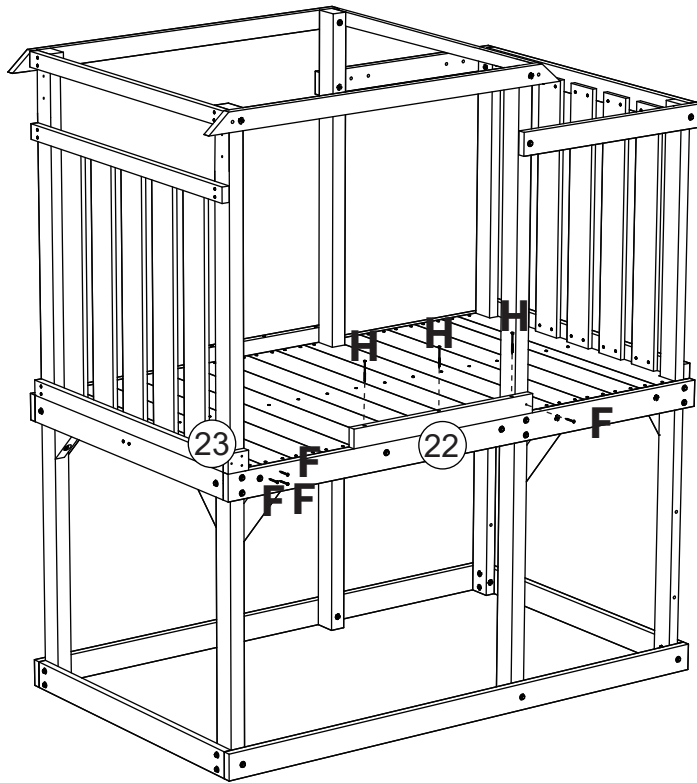
⓪1 x 1

ⓕ x 1

ⓓ x 3

Step
Étape
Paso

25



22 x 1

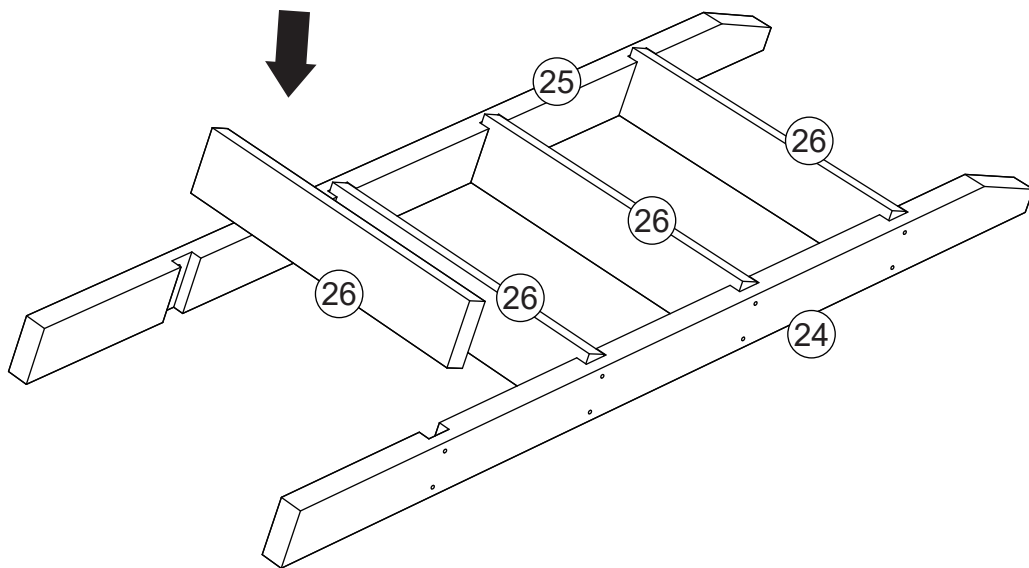
23 x 1

F x 4

H x 3

Step
Étape
Paso

26



24 x 1

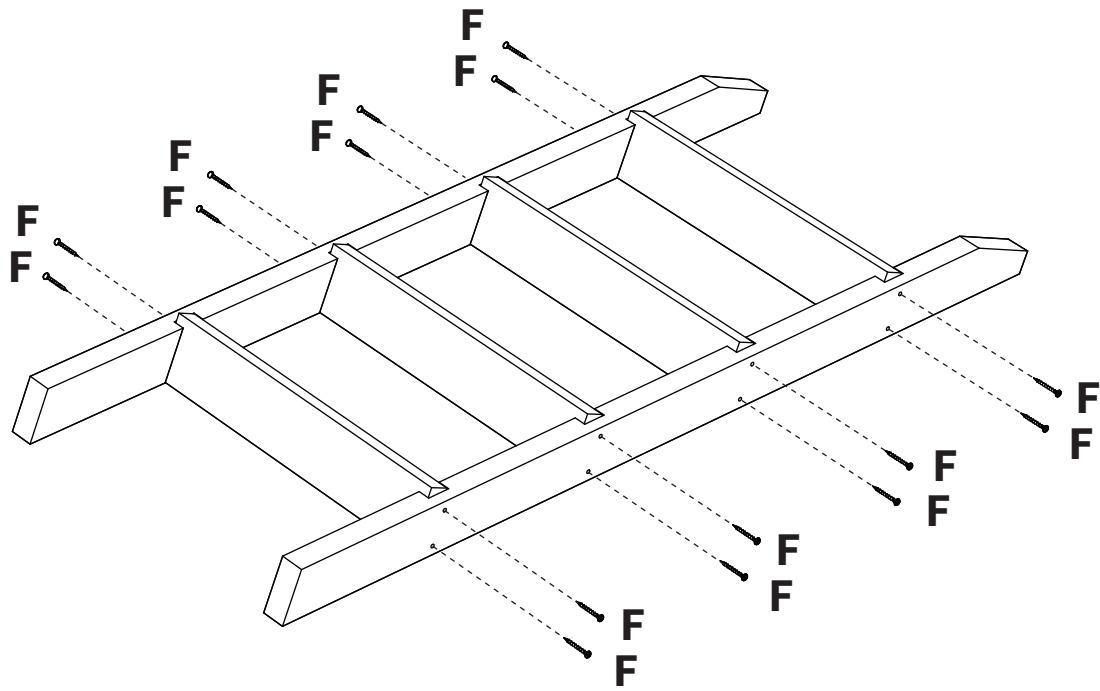
25 x 1

26 x 4

ⓕ x 16

Step
Étape
Paso

27

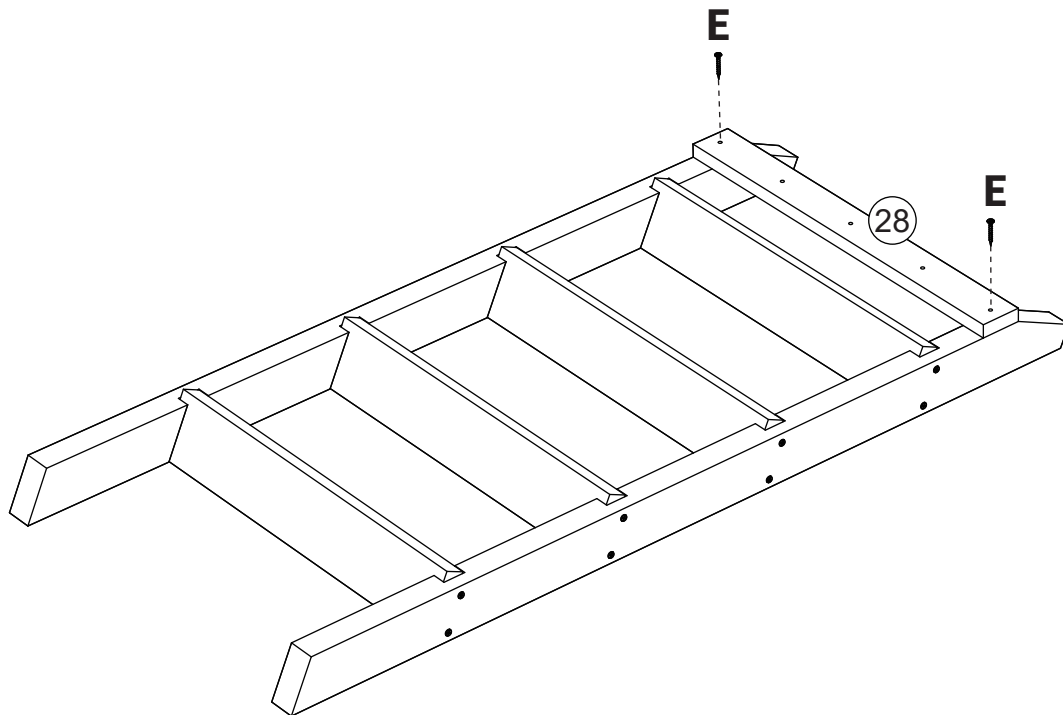


Step
Étape
Paso

28

ⓐ x 1

ⓔ x 2

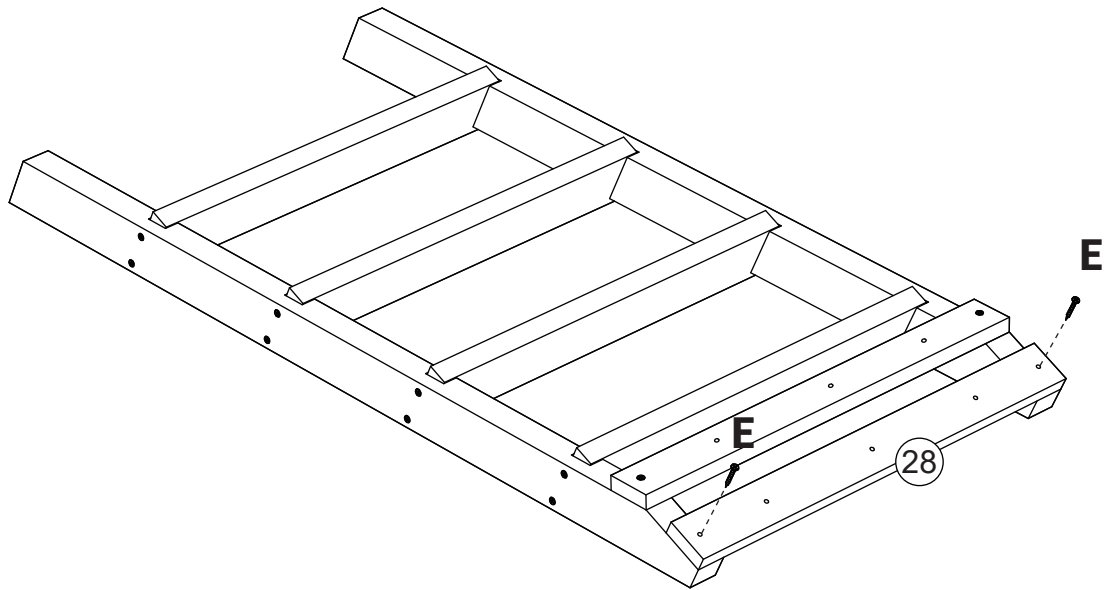


Step
Étape
Paso

29

28 x 1

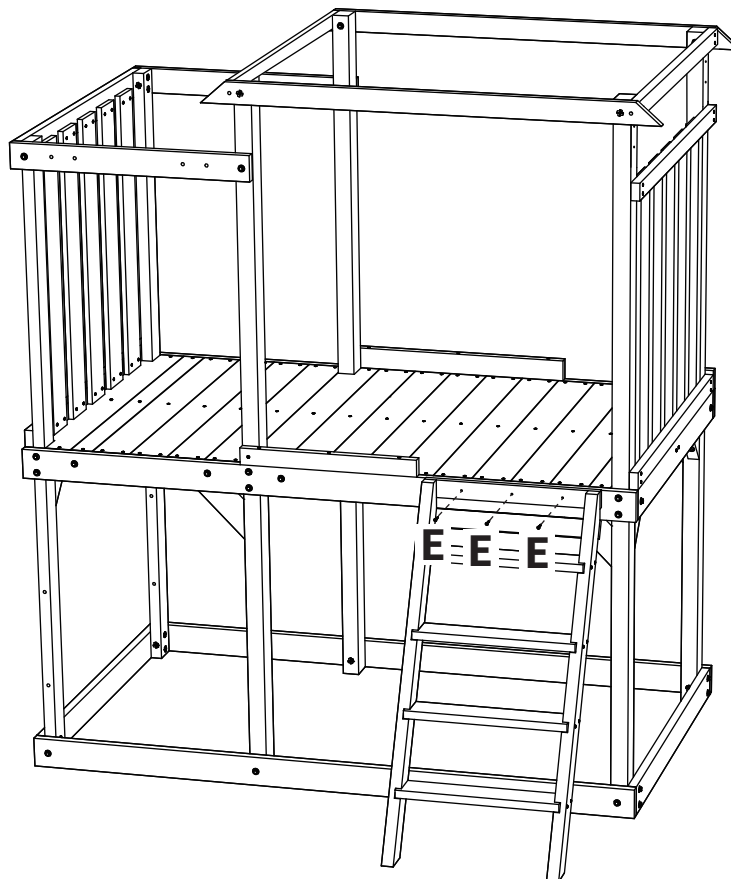
E x 2



Step
Étape
Paso

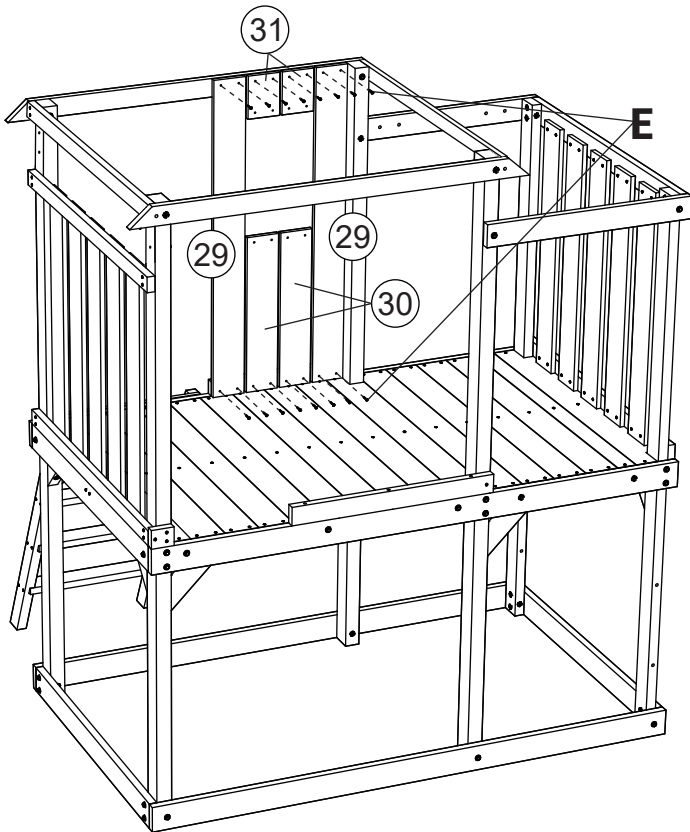
30

E x 3



Step
Étape
Paso

31



29 x 2

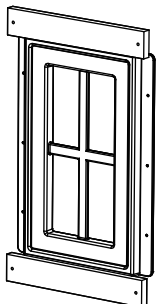
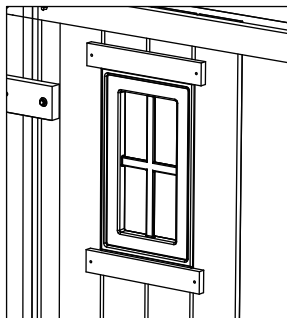
30 x 2

31 x 2

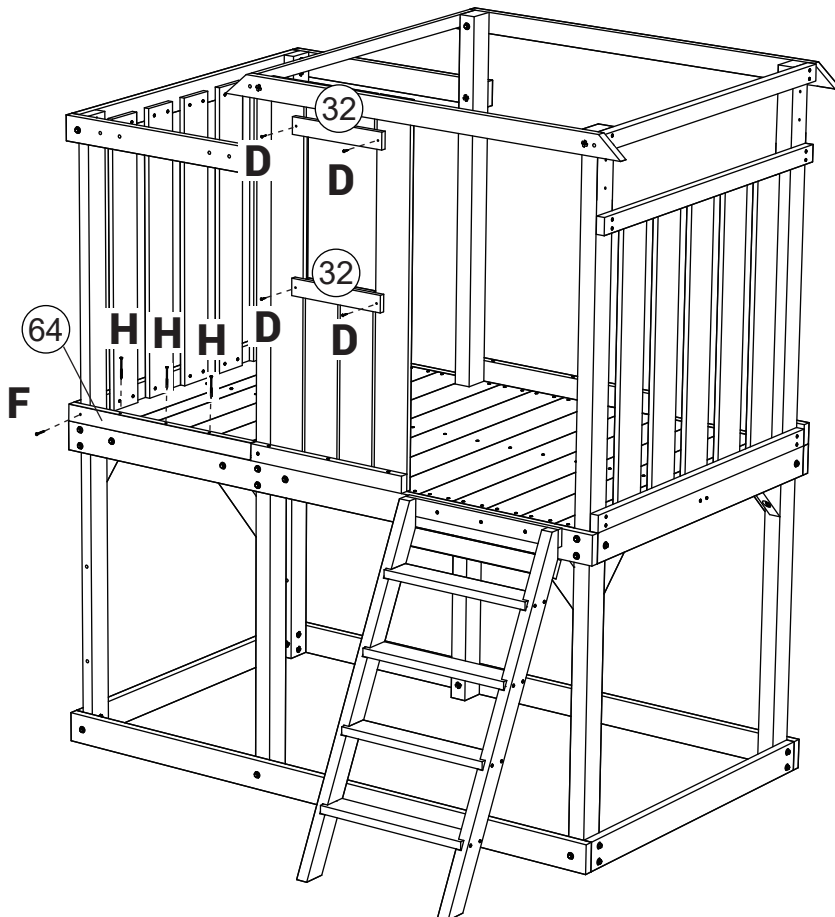
E x 16

Step
Étape
Paso

32



Align with window



32 x 2

64 x 1

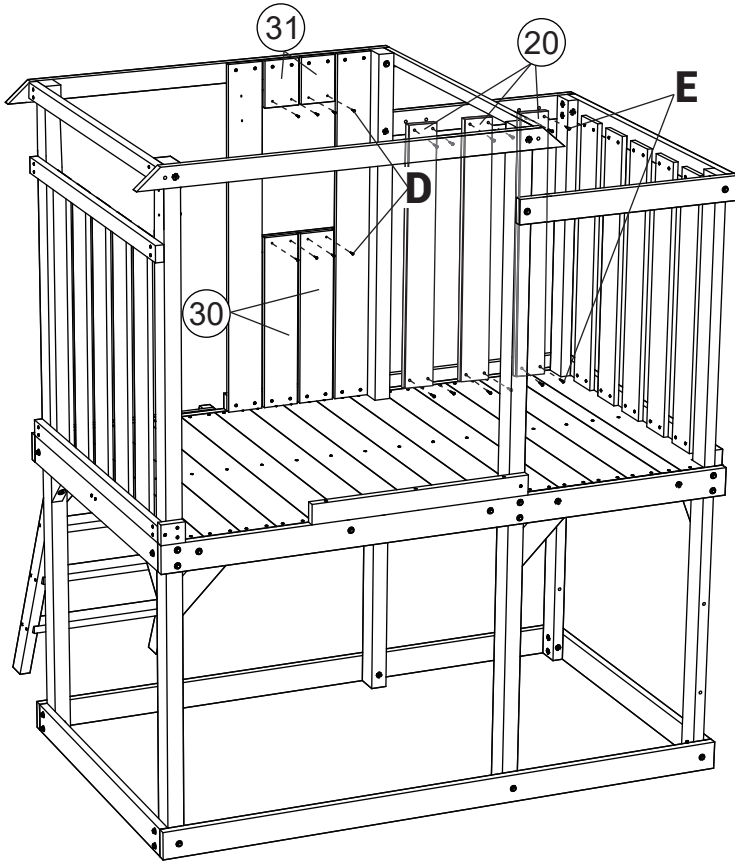
D x 4

F x 1

H x 3

Step
Étape
Paso

33

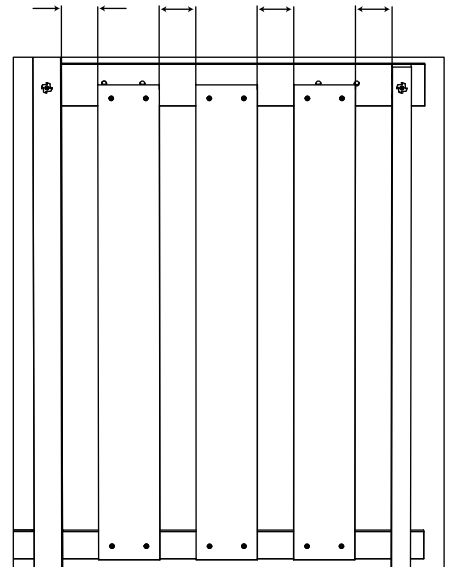


⊙ 20 x 3

⊙ D x 8

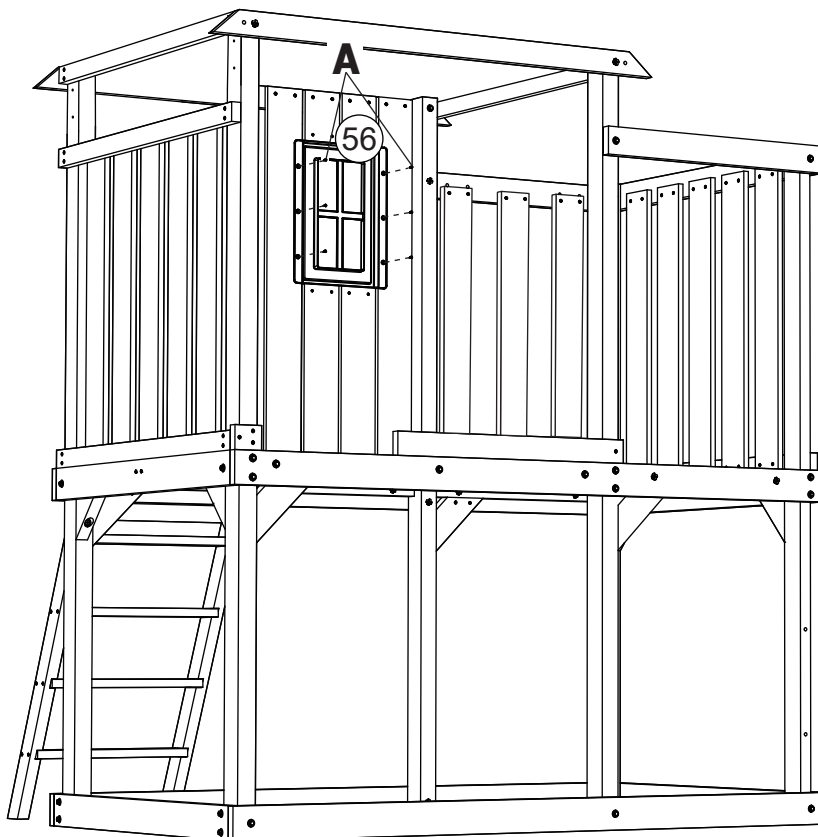
⊙ E x 12

69.5mm 69.5mm 69.5mm 69.5mm
2.73" 2.73" 2.73" 2.73"



Step
Étape
Paso

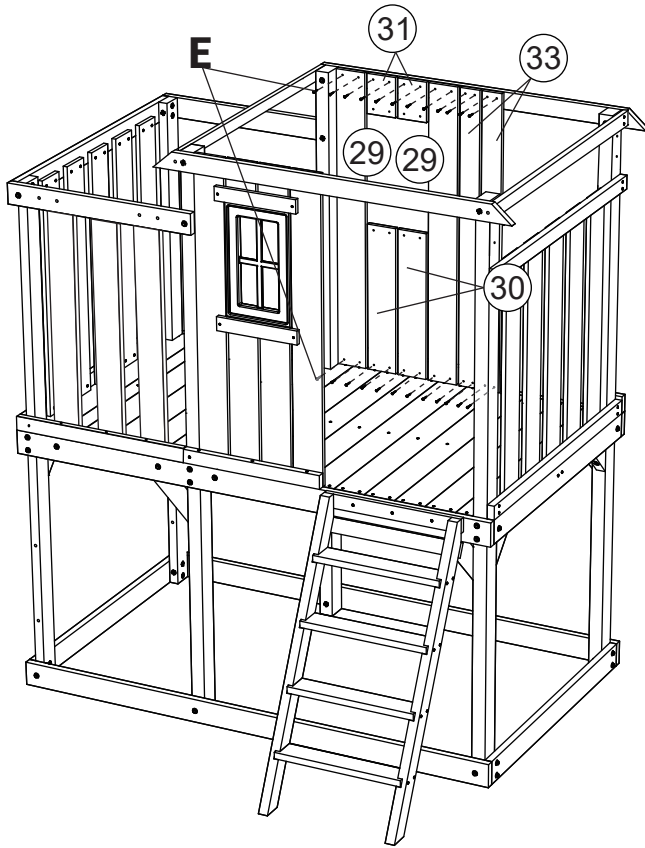
34



⊙ 56 x 1

⊙ A x 6

Step
Étape
Paso
35



Ⓣ 29 x 2

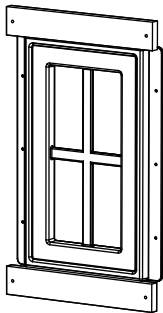
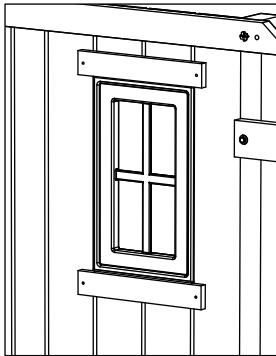
Ⓣ 30 x 2

Ⓣ 31 x 2

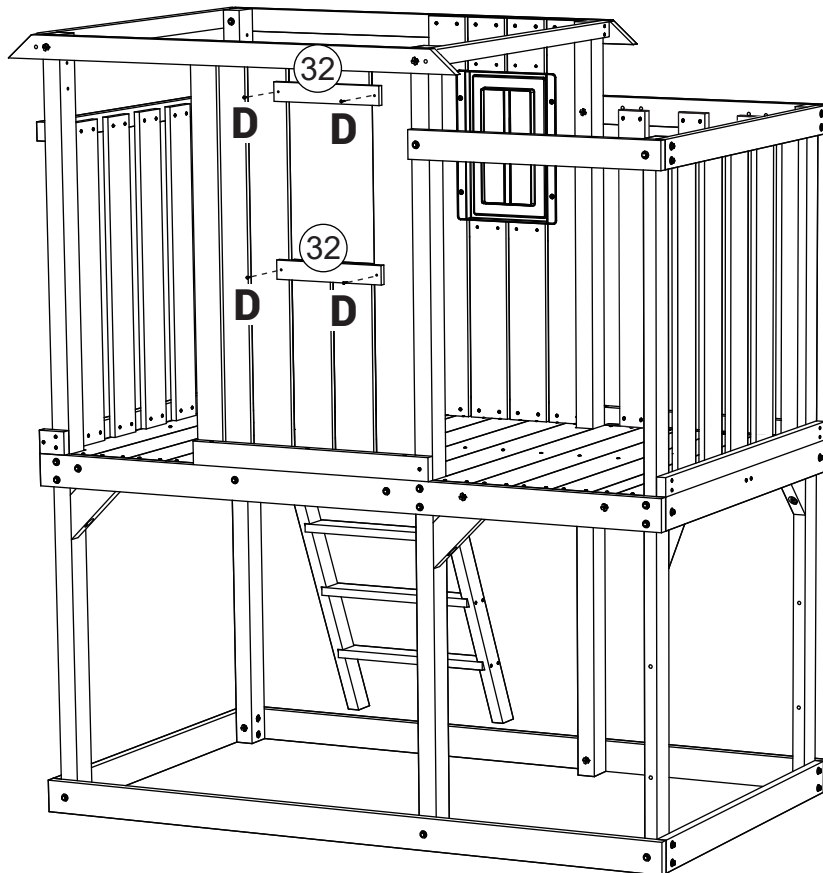
Ⓣ 33 x 2

Ⓣ E x 24

Step
Étape
Paso
36



Align with window



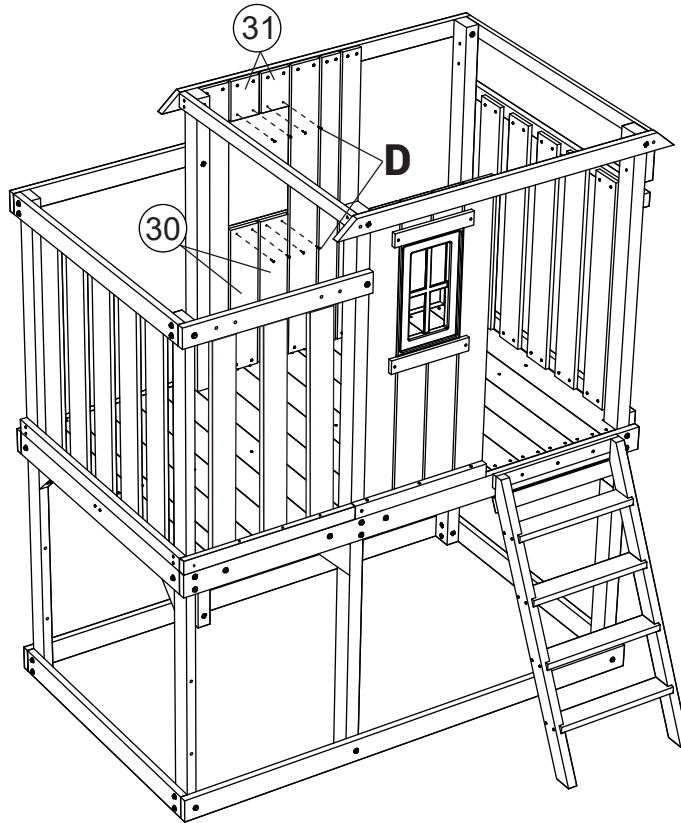
Ⓣ 32 x 2

Ⓣ D x 4

ⓓ x 8

Step
Étape
Paso

37



Step
Étape
Paso

38

Ⓢ6 x 1

ⓐ x 6



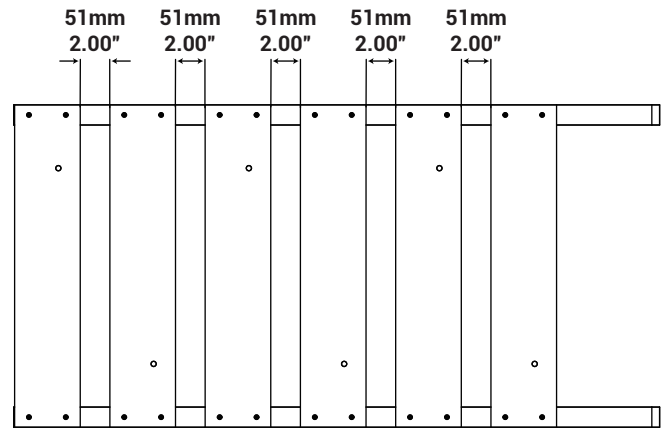
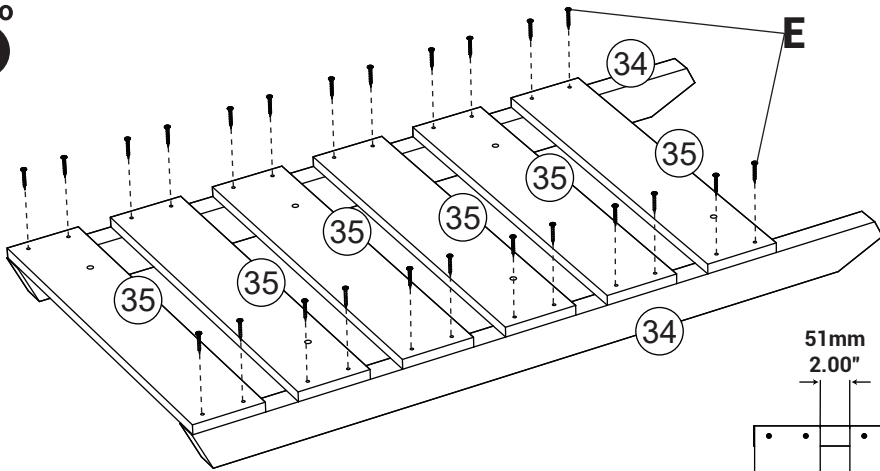
Step
Étape
Paso

39

34 x 2

35 x 6

E x 24

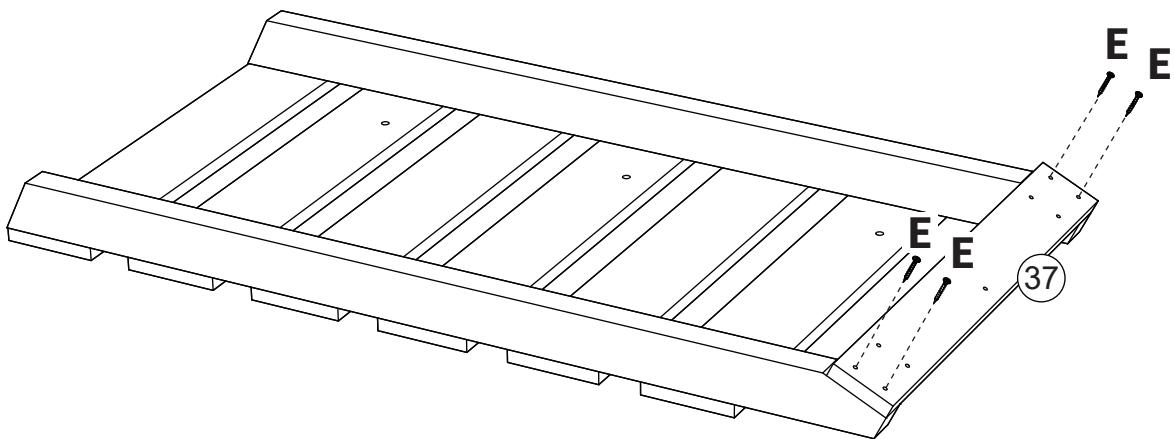


Step
Étape
Paso

40

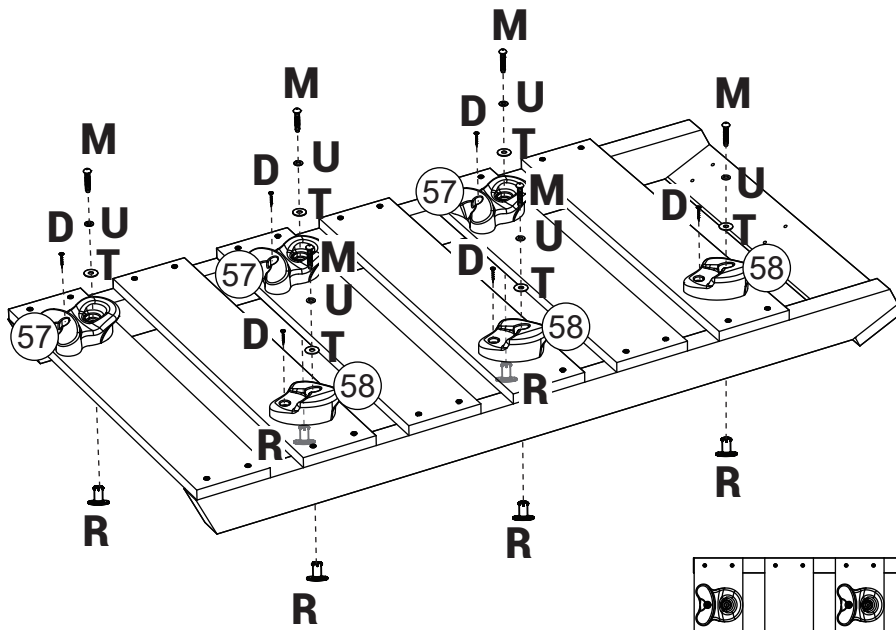
37 x 1

E x 4



Step
Étape
Paso

41



57 x 3

58 x 3

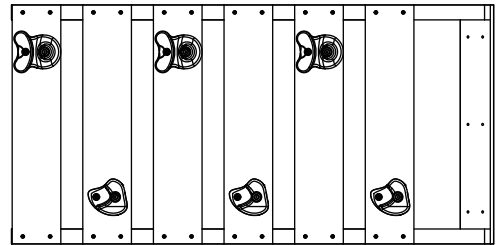
D x 6

M x 6

R x 6

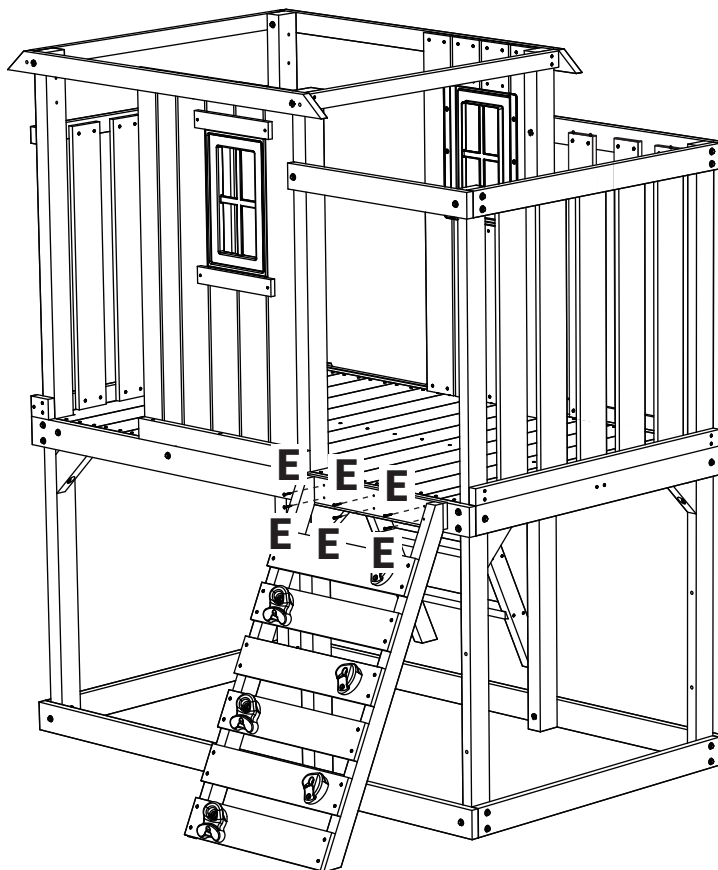
T x 6

U x 6



Step
Étape
Paso

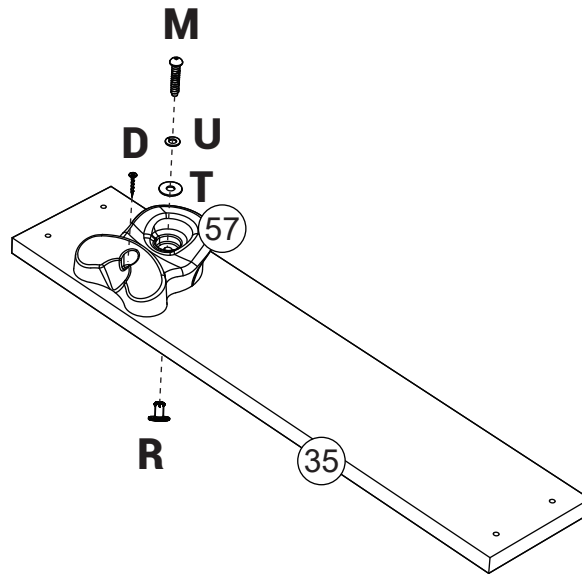
42



E x 6

Step
Étape
Paso

43



35 x 1

57 x 1

D x 1

M x 1

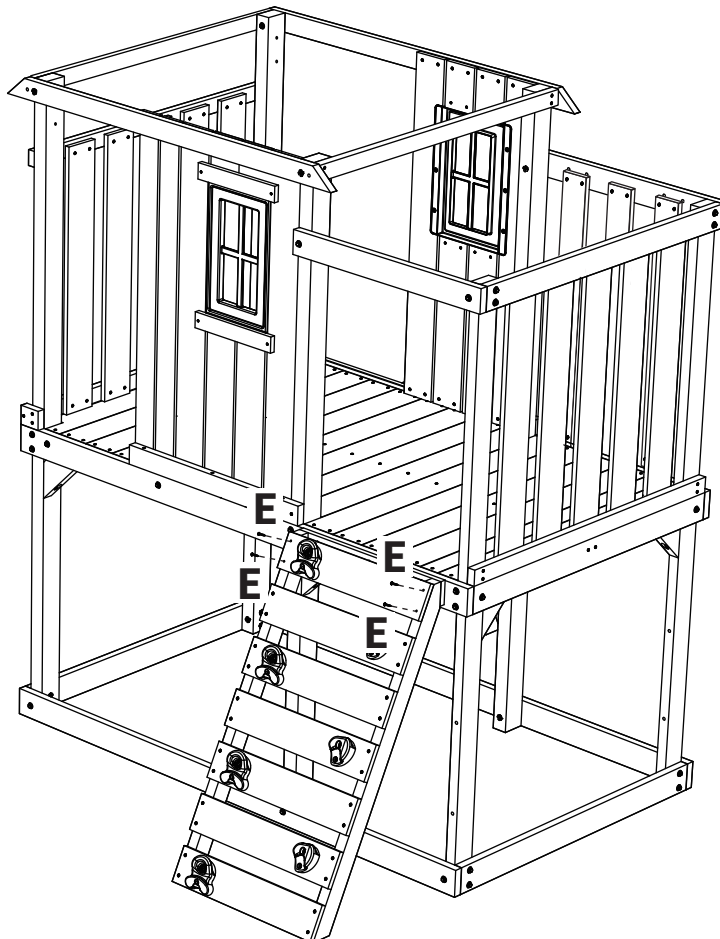
R x 1

T x 1

U x 1

Step
Étape
Paso

44



E x 4

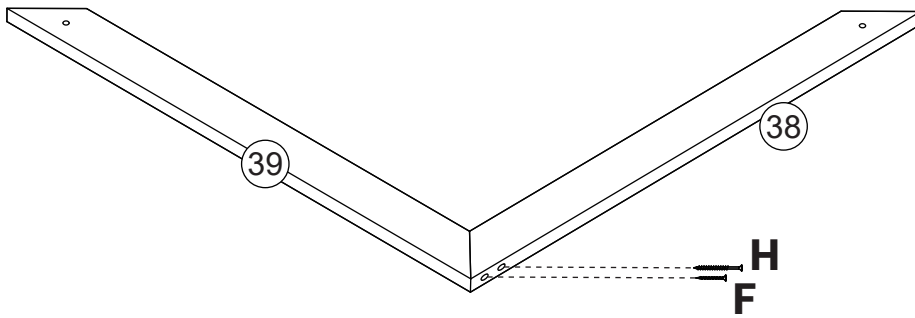
Step
Étape
Paso
45 x 2

38 x 1

39 x 1

F x 1

H x 1

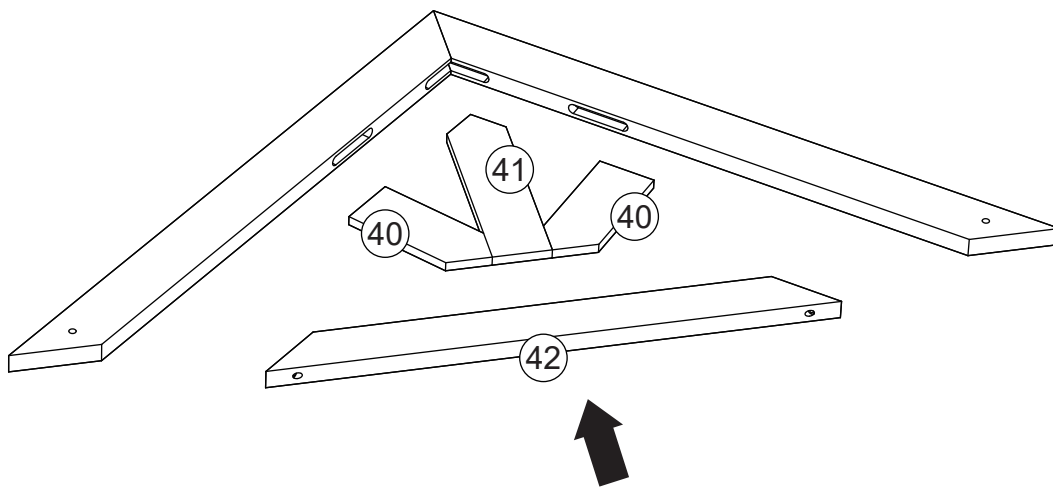


Step
Étape
Paso
46 x 2

40 x 2

41 x 1

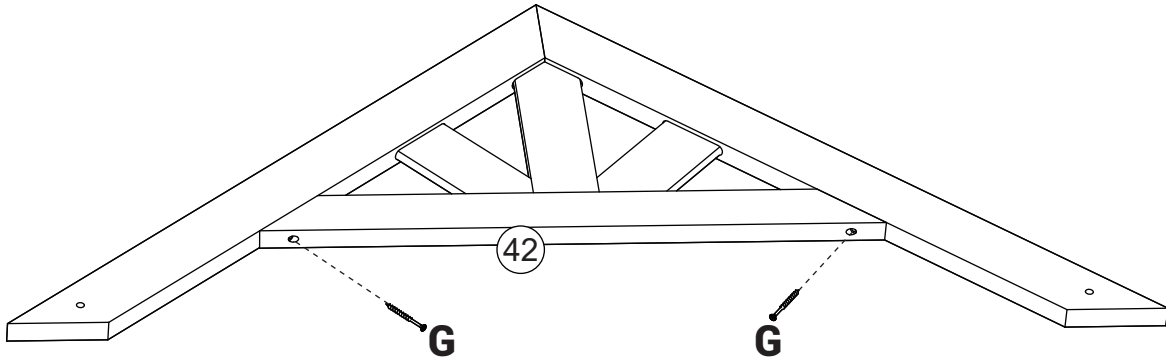
42 x 1



Step
Étape
Paso
47 x 2

42 x 1

G x 2

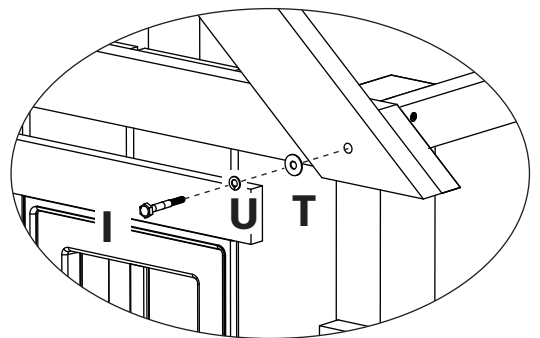
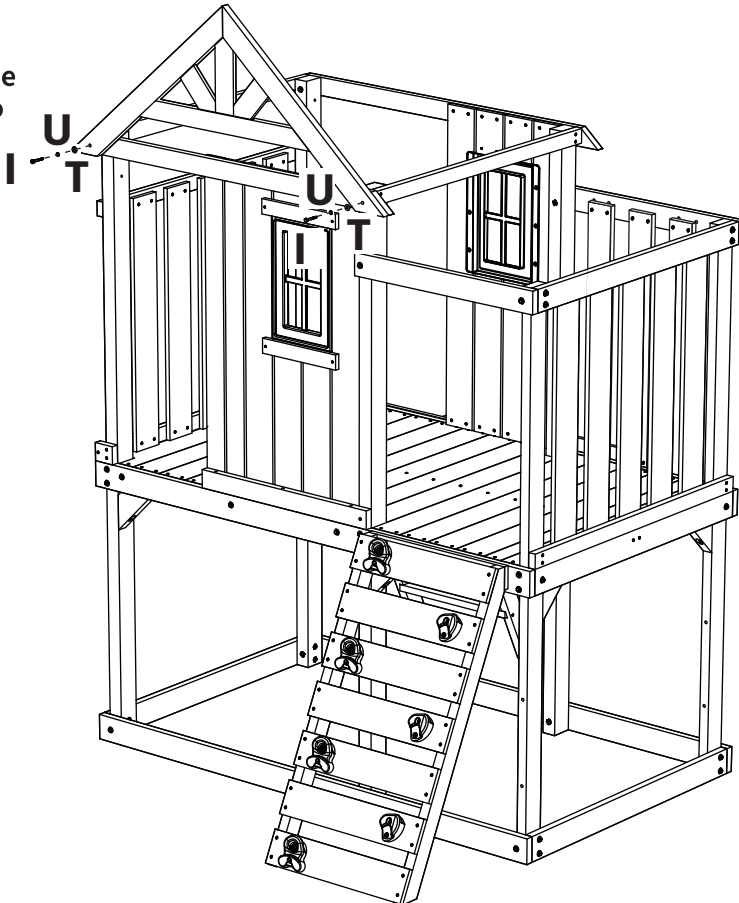


Step
Étape
Paso
48

I x 2

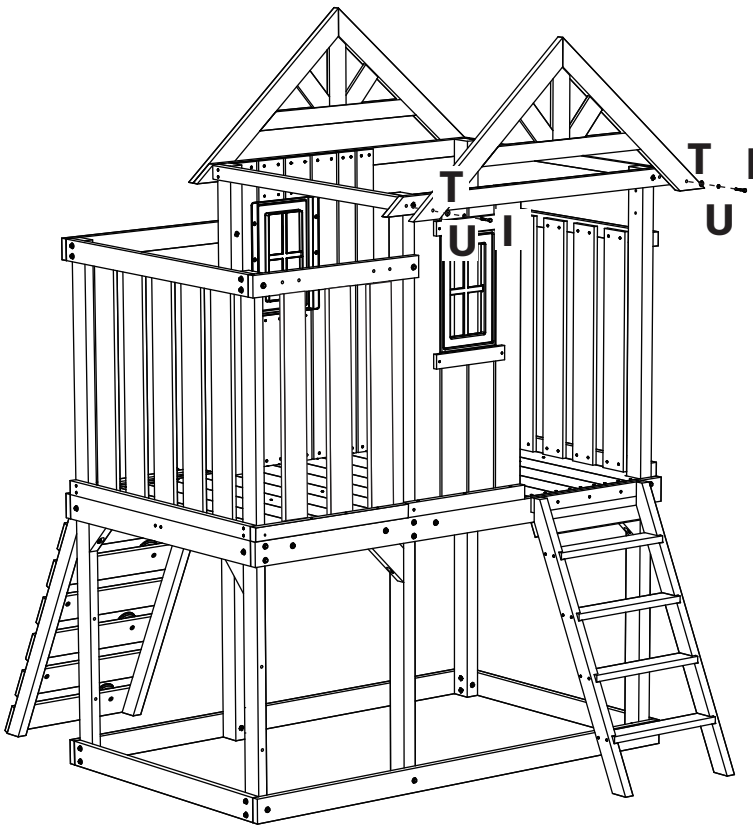
T x 2

U x 2



Step
Étape
Paso

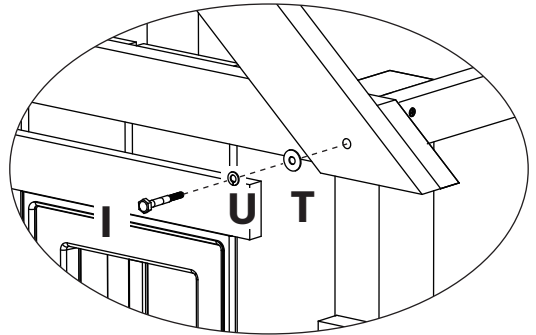
49



I x 2

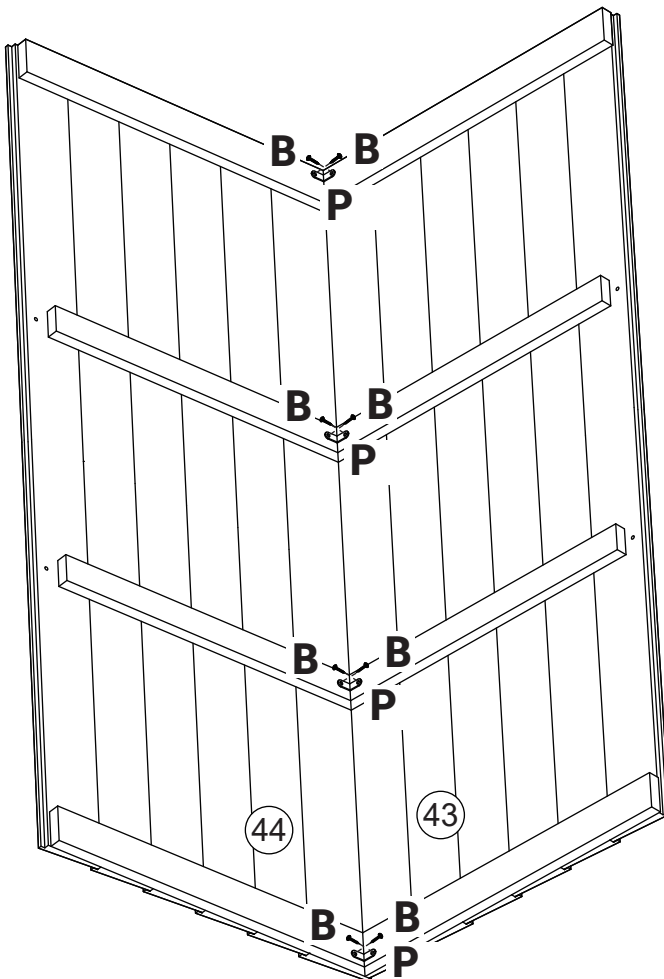
T x 2

U x 2



Step
Étape
Paso

50

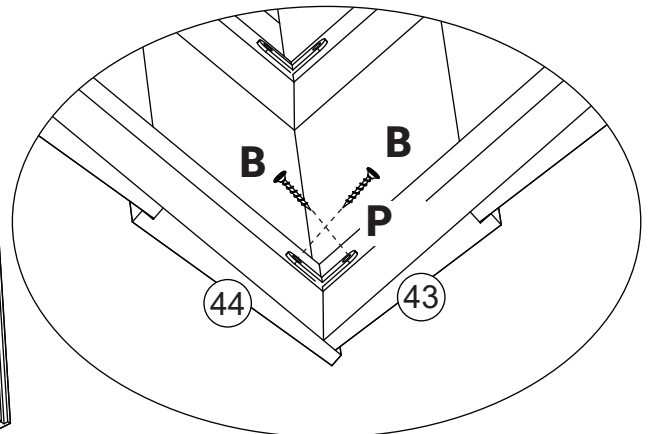


43 x 1

44 x 1

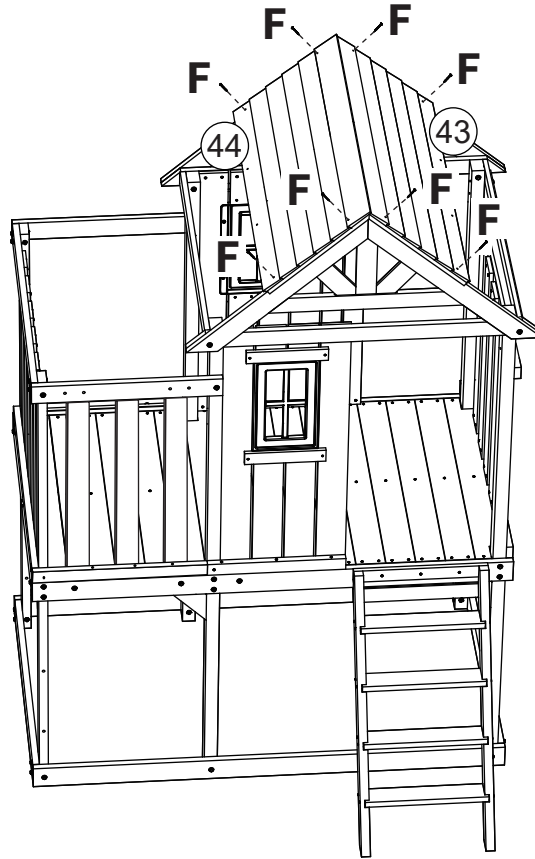
B x 8

P x 4



Step
Étape
Paso

51



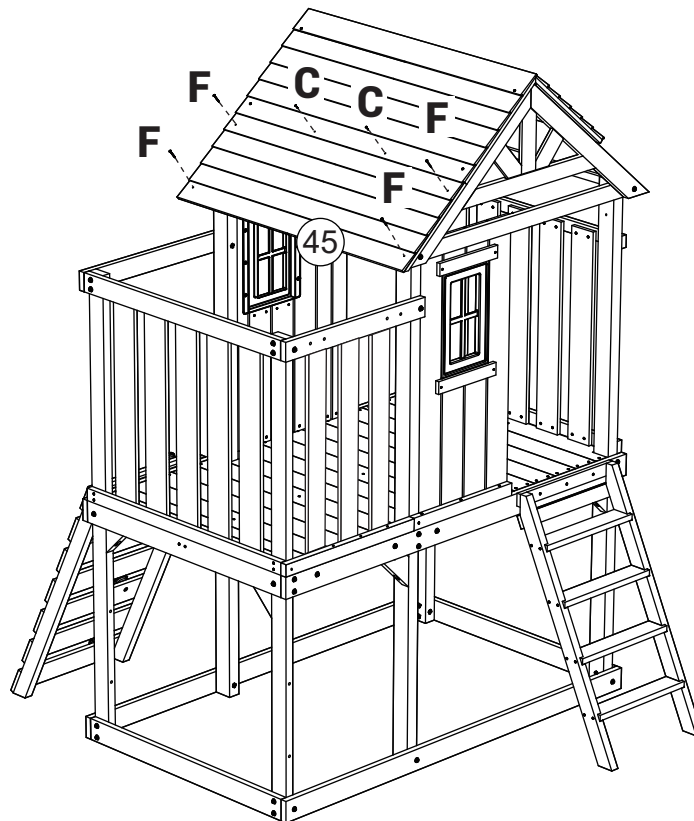
43 x 1

44 x 1

F x 8

Step
Étape
Paso

52



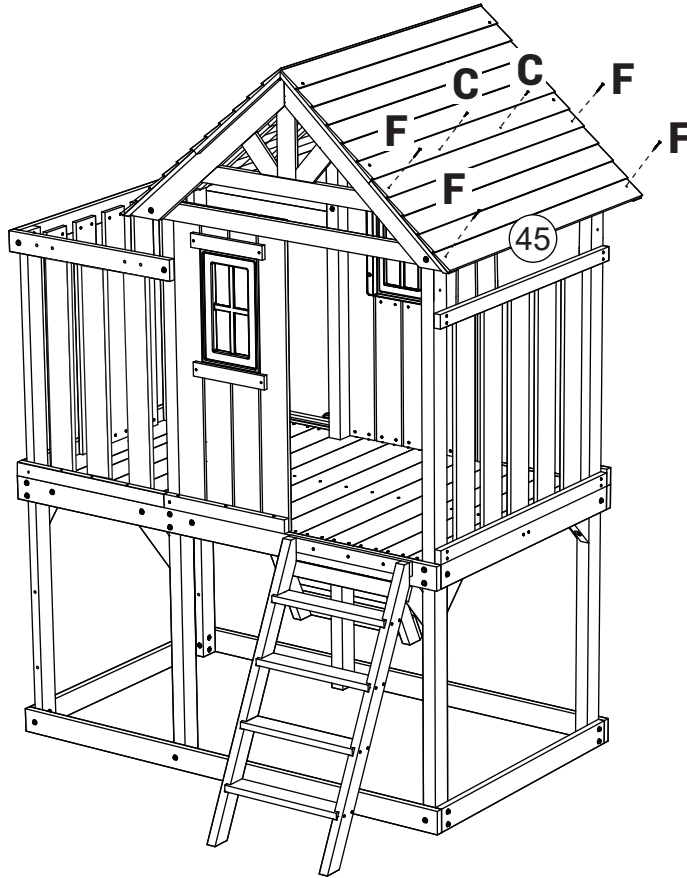
45 x 1

C x 2

F x 4

Step
Étape
Paso

53



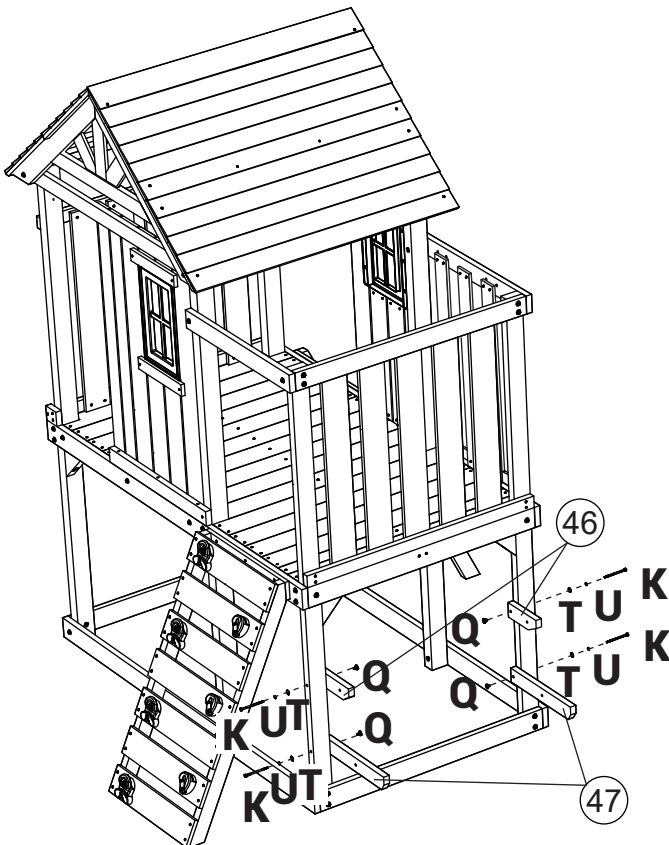
45 x 1

C x 2

F x 4

Step
Étape
Paso

54



46 x 2

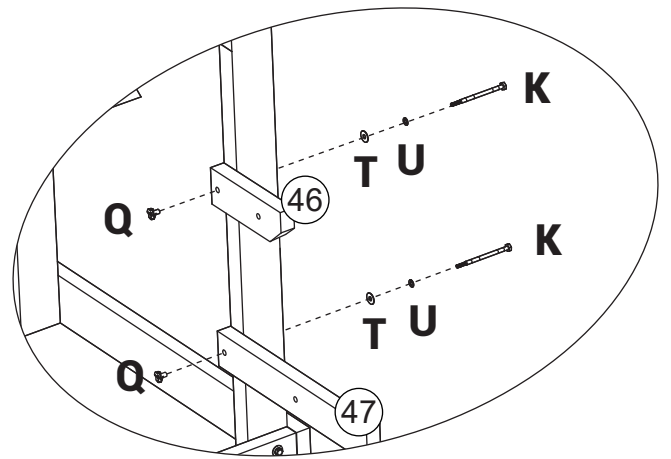
47 x 2

K x 4

Q x 4

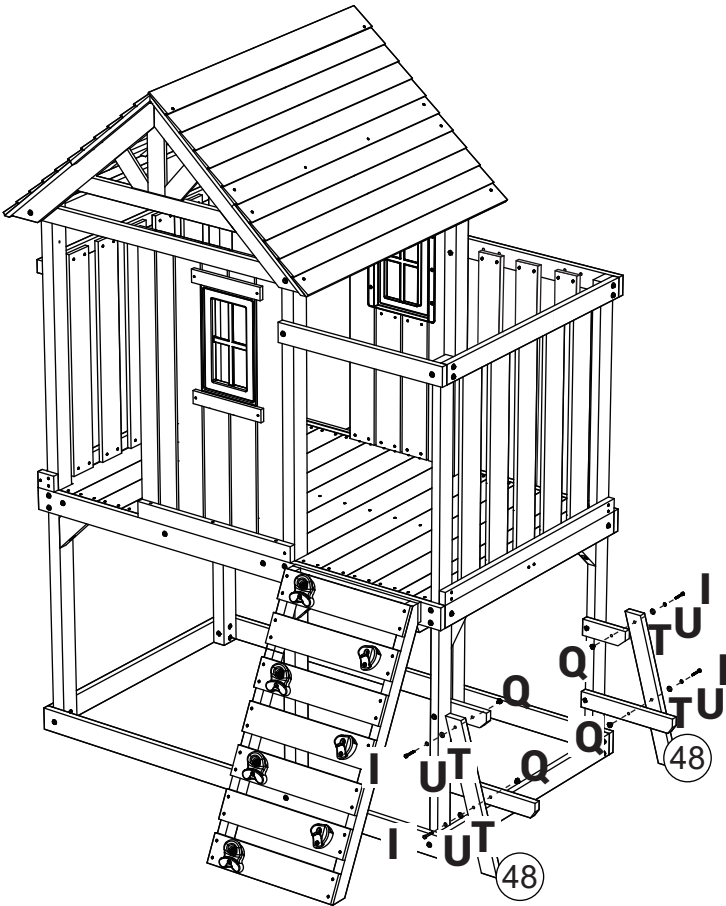
T x 4

U x 4



Step
Étape
Paso

55



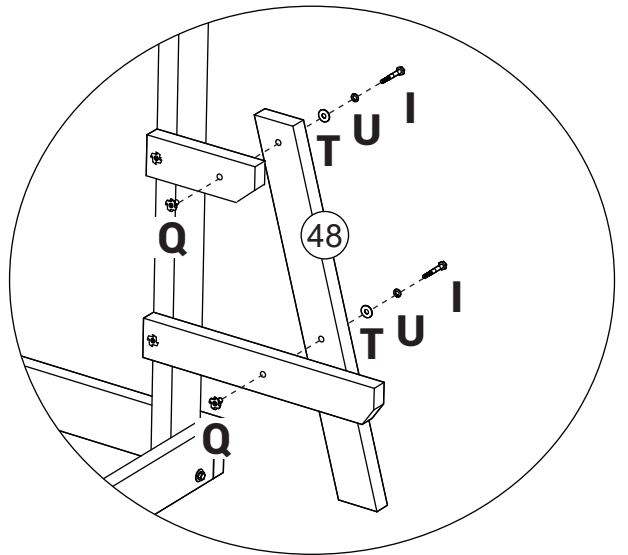
48 x 2

I x 4

Q x 4

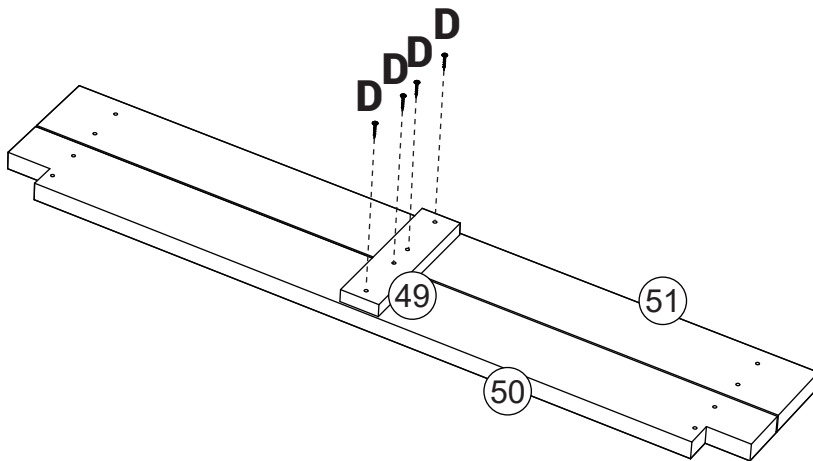
T x 4

U x 4



Step
Étape
Paso

56



49 x 1

50 x 1

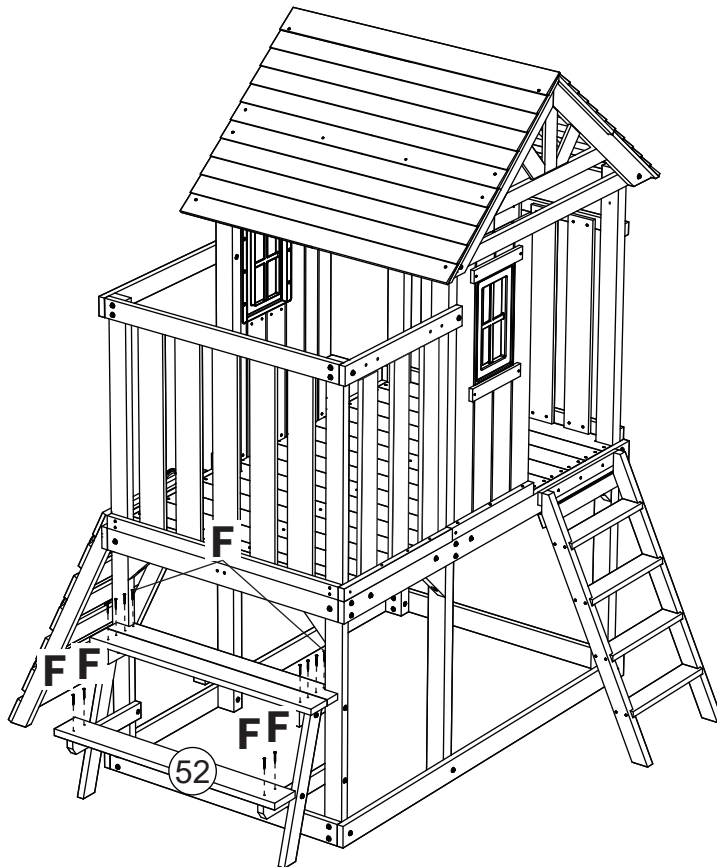
51 x 1

D x 4



Step
Étape
Paso

57

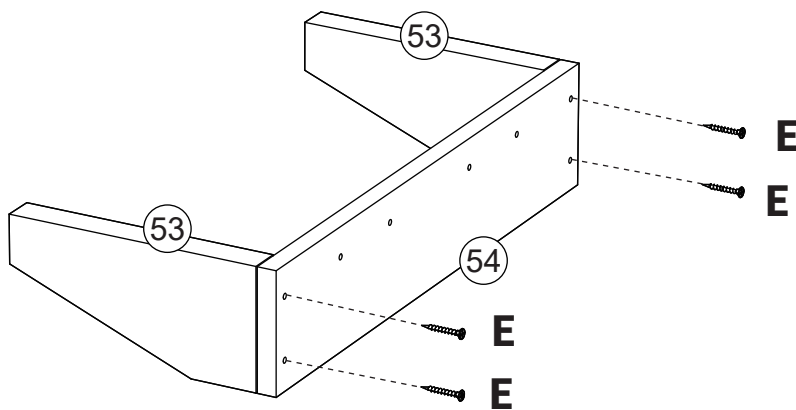


52 x 1

F x 12

Step
Étape
Paso

58



53 x 2

54 x 1

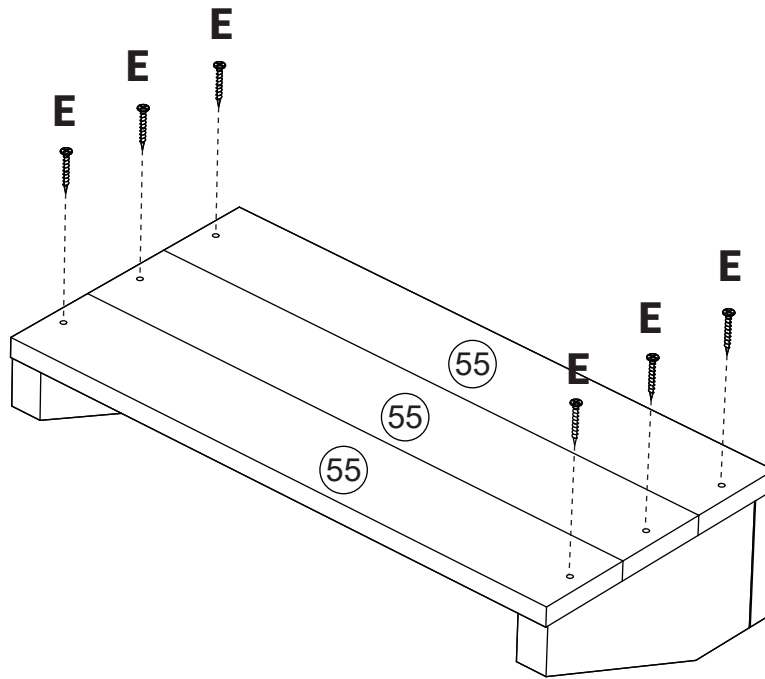
E x 4

Step
Étape
Paso

59

55 x 3

E x 6

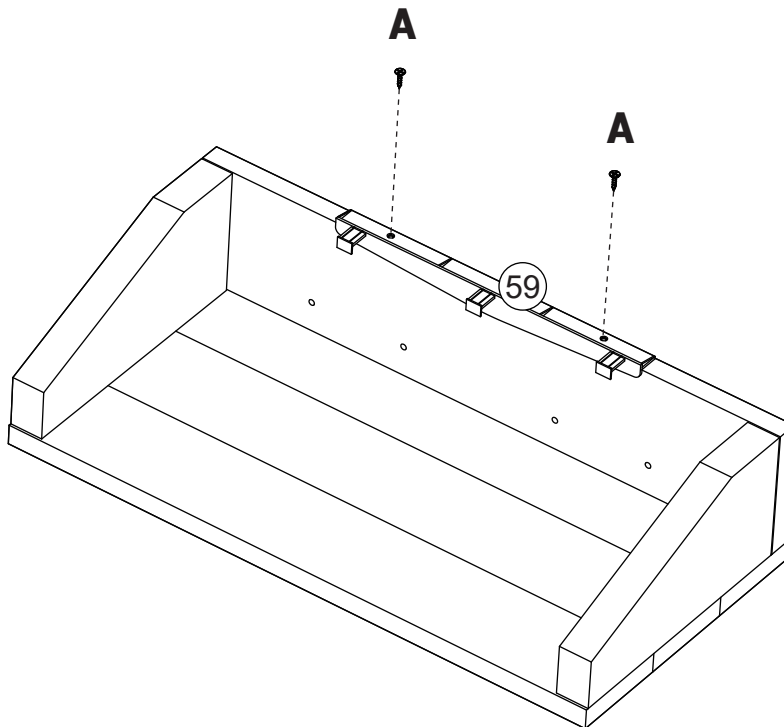


Step
Étape
Paso

60

59 x 1

A x 2



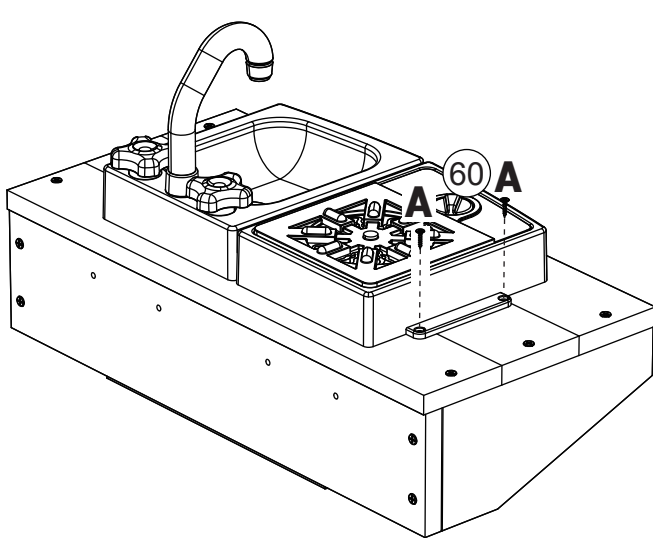
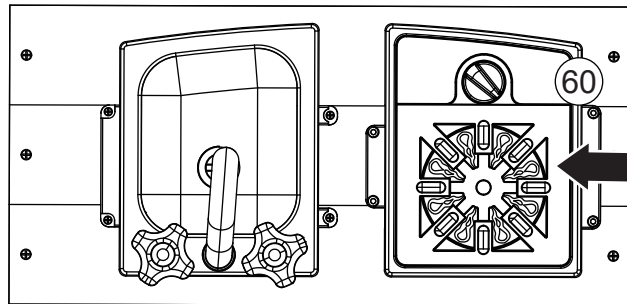
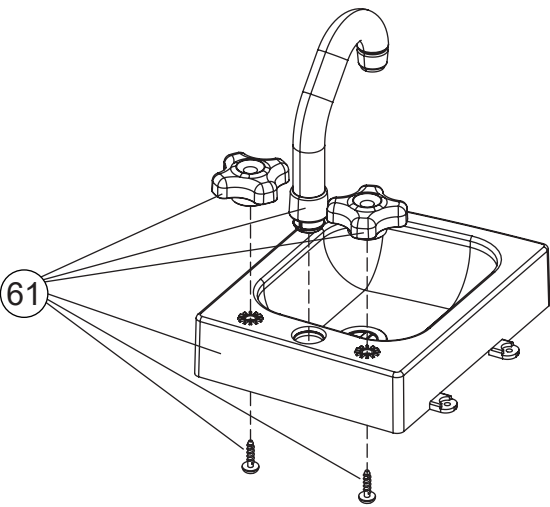
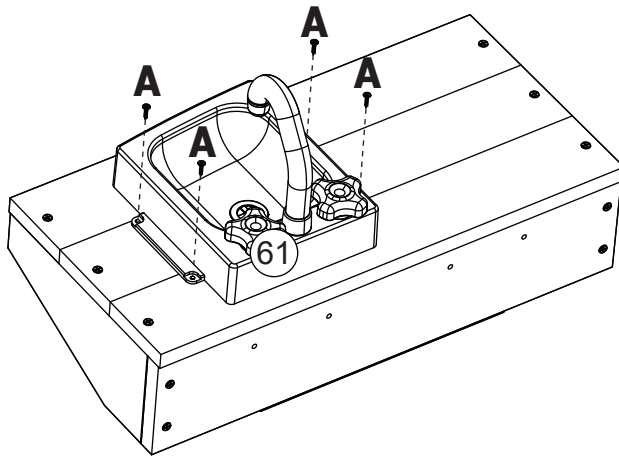
Step
Étape
Paso

61

60 x 1

61 x 1

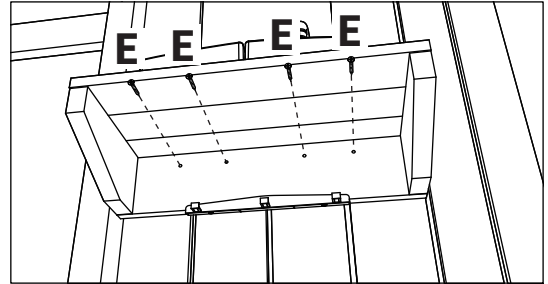
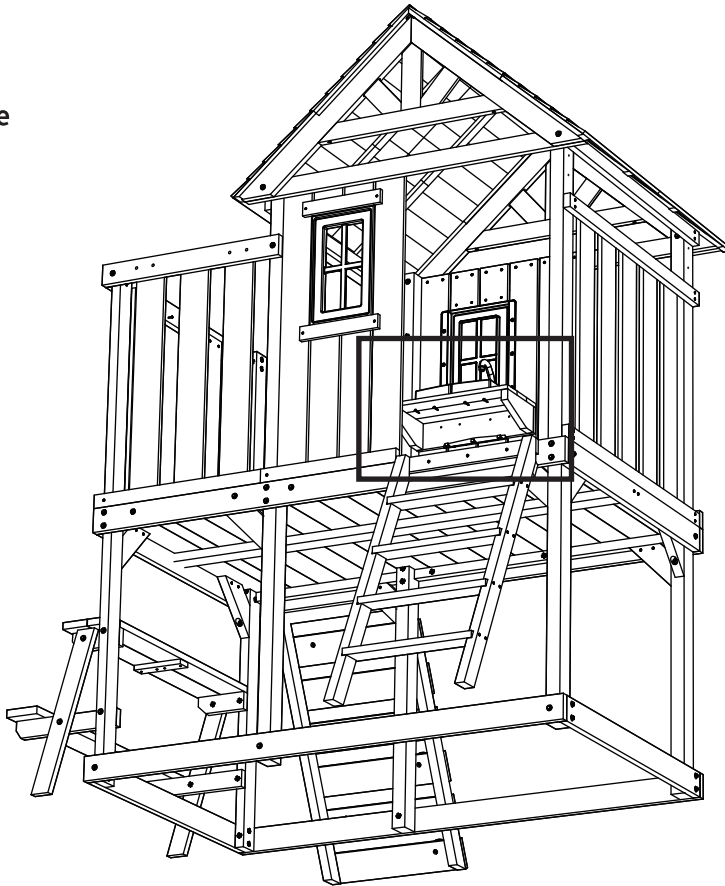
A x 6



Ⓔ x 4

Step
Étape
Paso

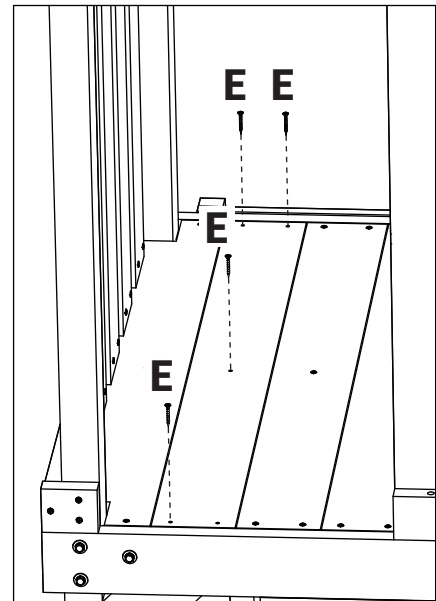
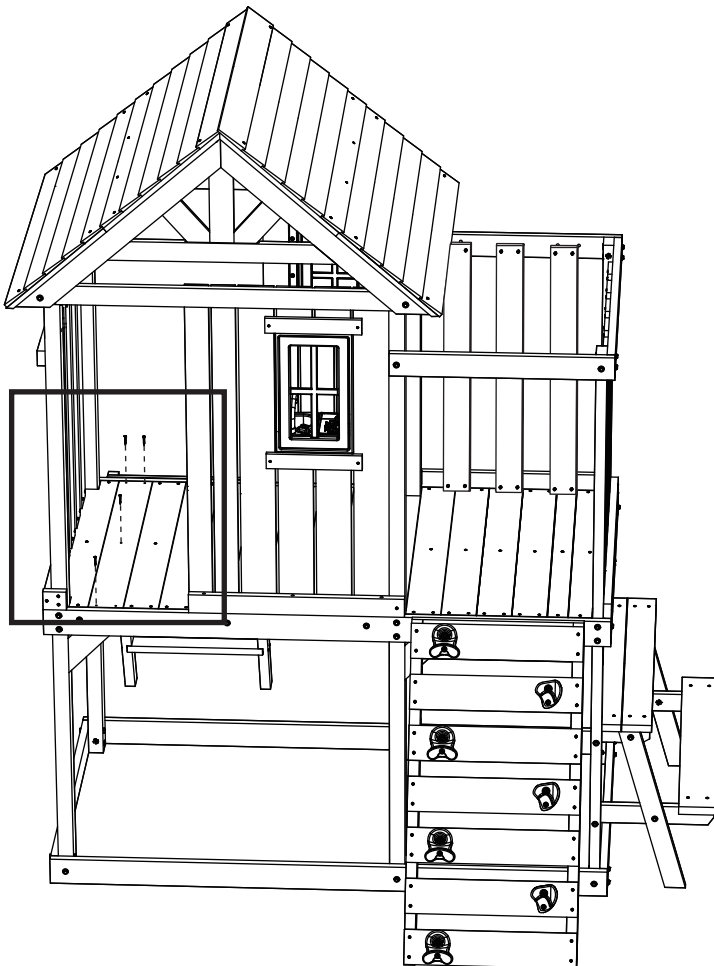
62



Ⓔ x 4

Step
Étape
Paso

63



Step
Étape
Paso

64



62 x 1

F x 2

S x 2

Step
Étape
Paso

65



13 x 1

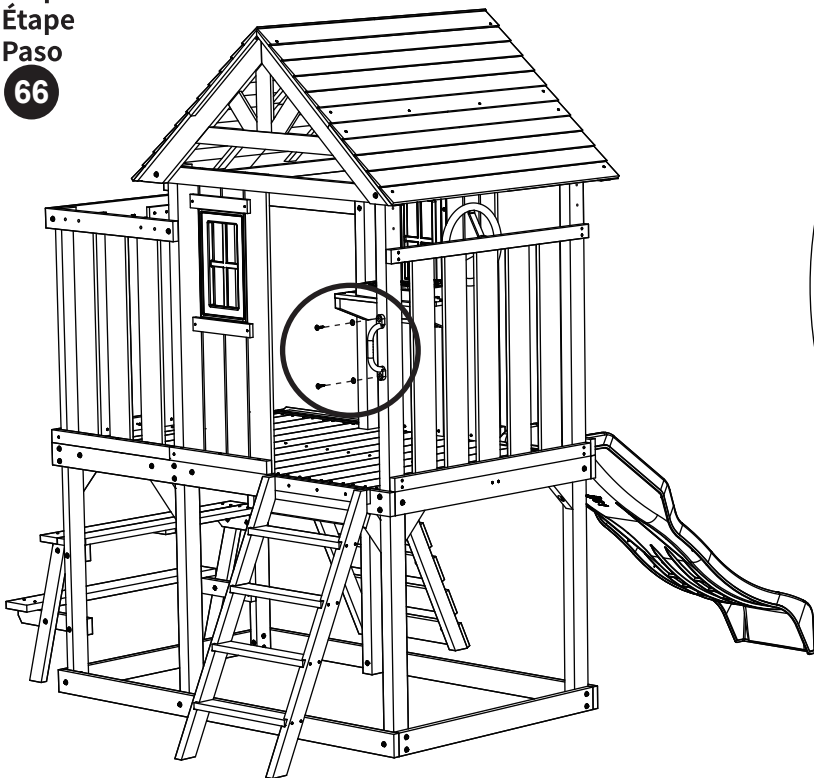
F x 1

S x 1

T x 1

Step
Étape
Paso

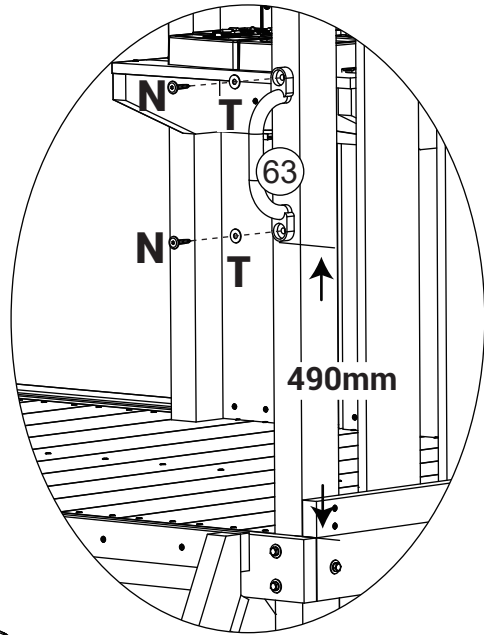
66



63 x 1

N x 2

T x 2



Step
Étape
Paso

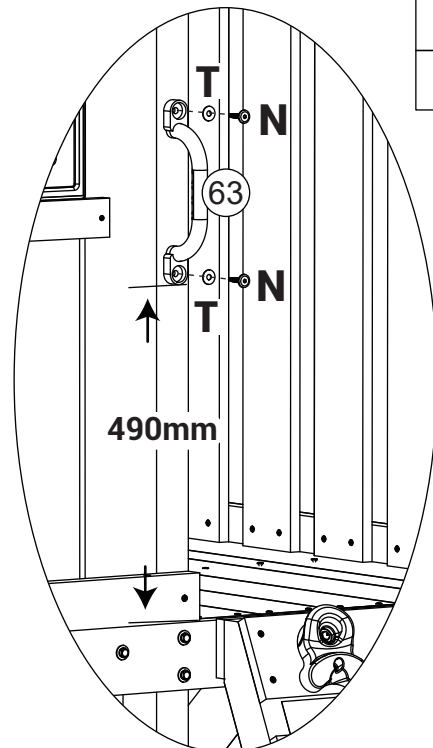
67



63 x 1

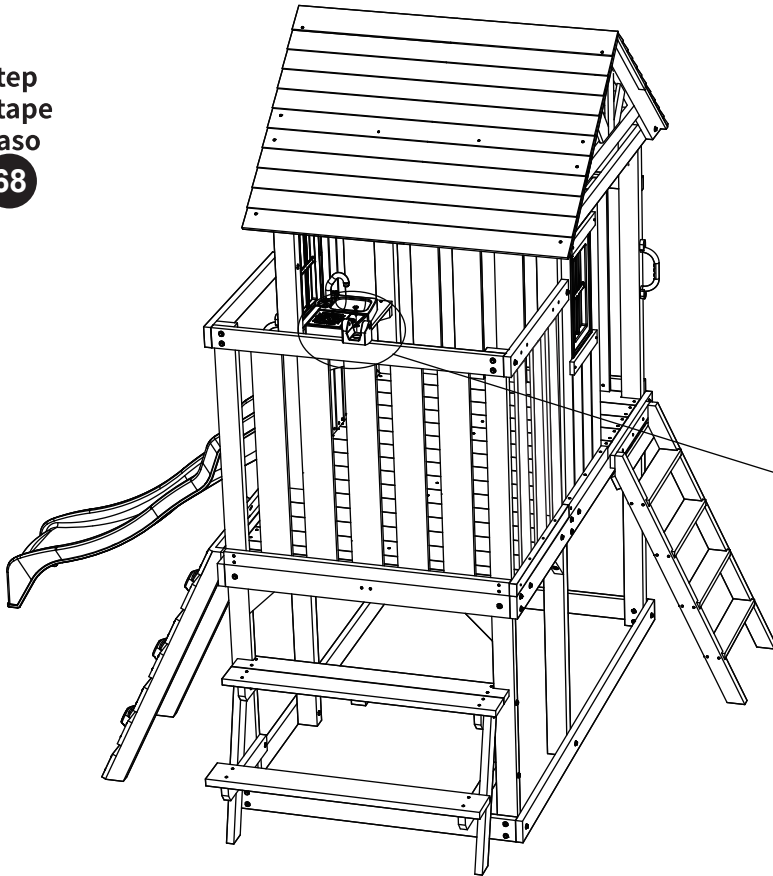
N x 2

T x 2



Step
Étape
Paso

68

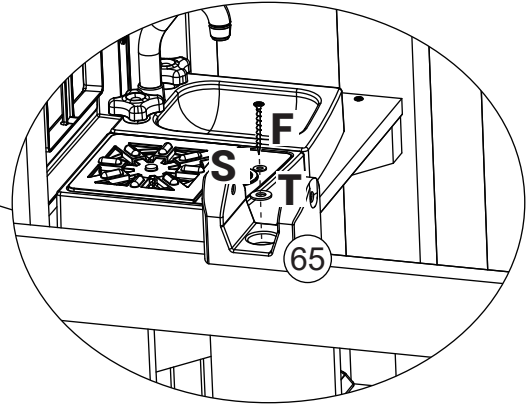


65 x 1

F x 1

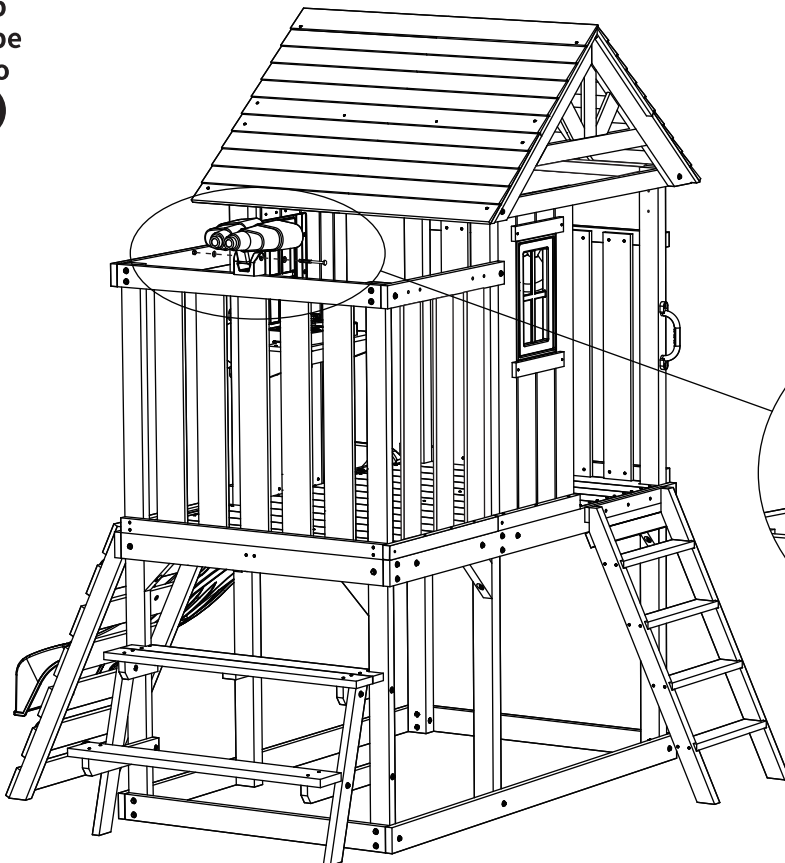
S x 1

T x 1

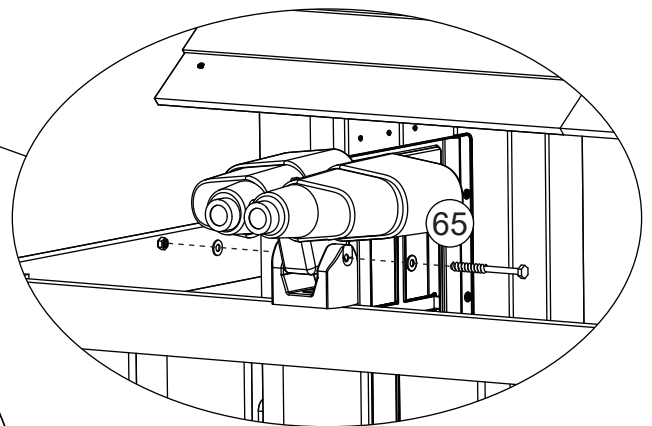


Step
Étape
Paso

69



65 x 1



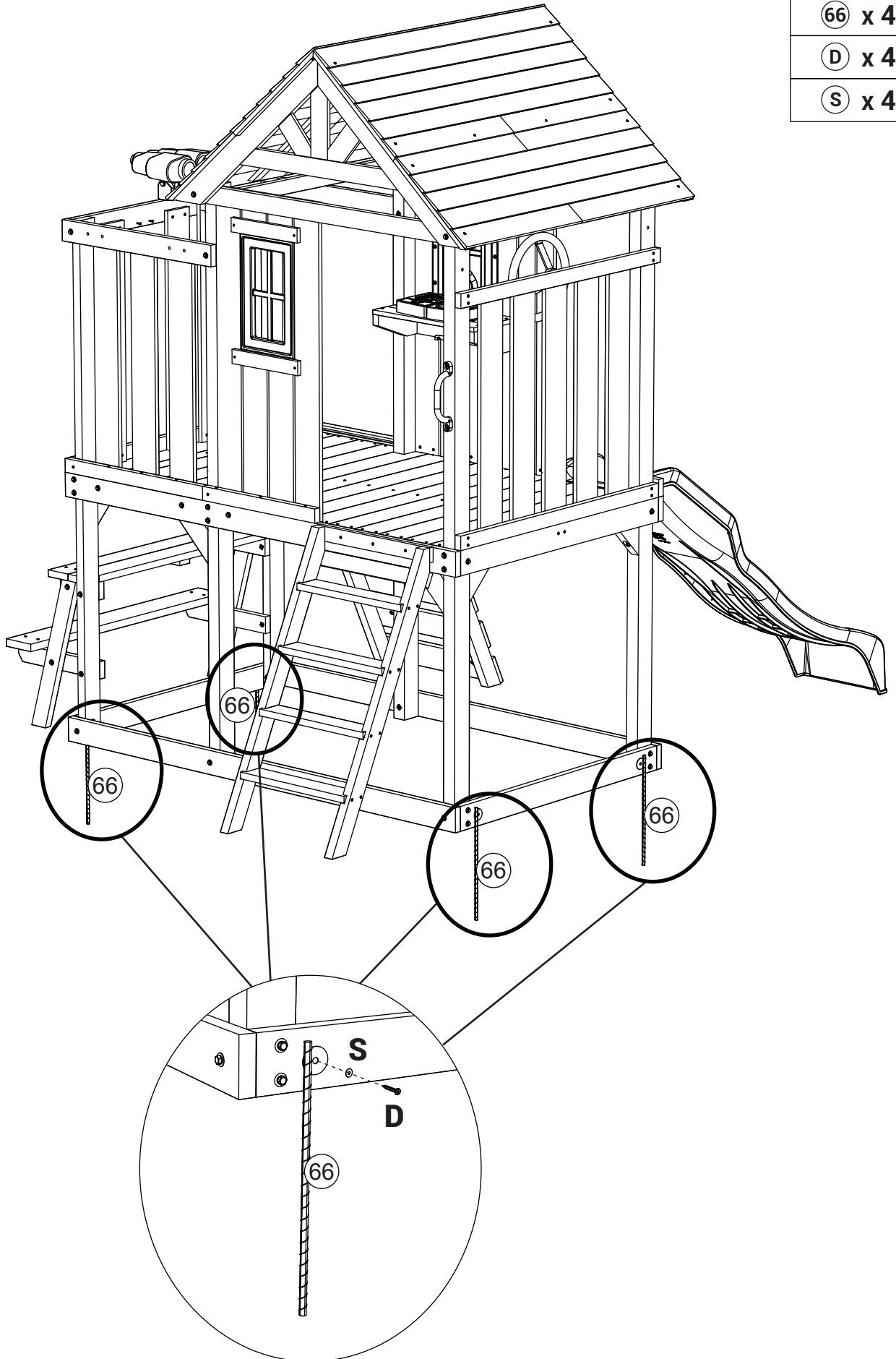
Step
Étape
Paso

70

66 x 4

D x 4

S x 4



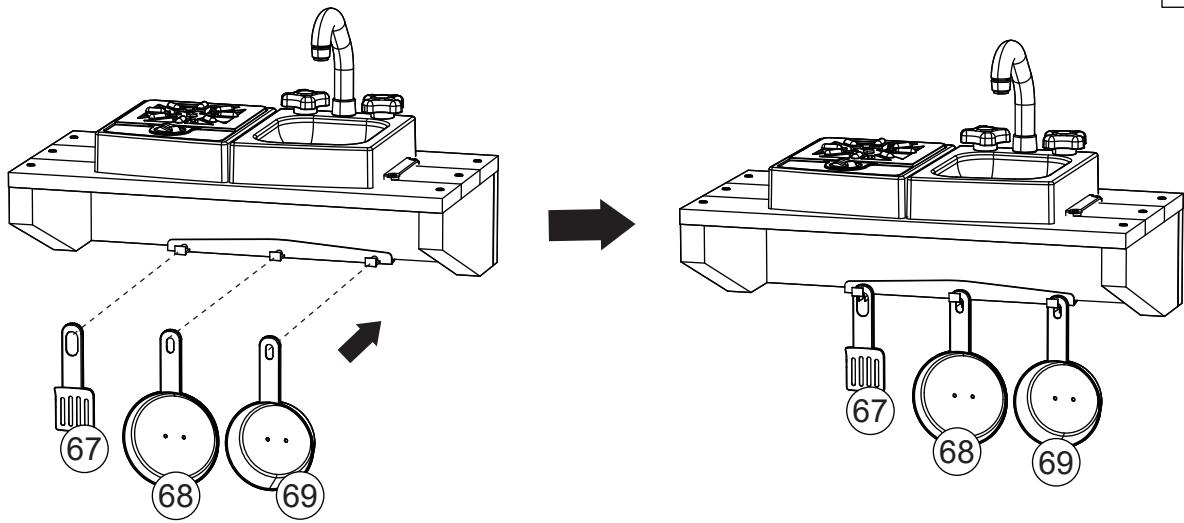
Step
Étape
Paso

71

67 x 1

68 x 1

69 x 1



MAINTENANCE

1. Clean and disinfect your product frequently to keep it clean and hygienic.
2. Check the reliability of the parts before use.

Manufacturer: Heze Jingran Woodware Co., Ltd.

Address: Zhuangzhai Town Industrial Park, Cao County, Shandong Province

EC REP: E-CrossStu GmbH.

Mainzer Landstr.69, 60329 Frankfurt am Main.

UK REP: YH CONSULTING LIMITED.

C/O YH Consulting Limited Office 147, Centurion House, London Road, Staines-upon-Thames, Surrey, TW18 4AX

Imported to AUS: SIHAO PTY LTD.

1 ROKEVA STREETEASTWOOD NSW 2122 Australia

Imported to USA: Sanven Technology Ltd.

Suite 250, 9166 Anaheim Place, Rancho Cucamonga, CA 91730

VEVOR[®]
TOUGH TOOLS, HALF PRICE

Technical Support and E-Warranty Certificate
www.vevor.com/support

VEVOR^R

TOUGH TOOLS. HALF PRICE

Soporte Técnico y Certificado de garantía electrónica
www.vevor.com/support

CABINA TEATRO

MODELO:TLG92008

Seguimos comprometidos a brindarte herramientas con competitivo precio. " Ahorrar Mitad", " Mitad de precio "o cualquier otra expresión similar usado por Solo nosotros representa un estimación de ahorros que podría beneficiarse al comprar cierto herramientas con a nosotros comparado a el importante arriba marcas y lo hace no necesariamente significa cubrir todo categorias de herramientas Ofrecido por nosotros tu son amable Se le recuerda que debe verificar cuidadosamente cuando esté haciendo un pedido con a nosotros si usted es realmente ahorrando la mitad en comparación con los principales marcas.

VEVOR^R

TOUGH TOOLS, HALF PRICE

CABIN PLAYHOUSE

MODELO: TLG92008



NEED HELP? CONTACT US!

Tener ¿Preguntas sobre el producto? Necesita información técnica
¿Soporte? Por favor sentir gratis a contacto a nosotros:

Técnico Apoyo y Garantía electrónica
Certificado www.vevor.com/support

Este son las instrucciones originales, por favor leer todo manual
instrucciones
cuidadosamente antes de operar. VEVOR se reserva una clara
interpretación de nuestro manual de usuario. La apariencia del producto
deberá ser sujeto a el
Producto que recibiste. Por favor, perdónanos que no lo haremos.
informar tú de nuevo si hay algunos tecnología o software

actualizaciones en nuestro producto.

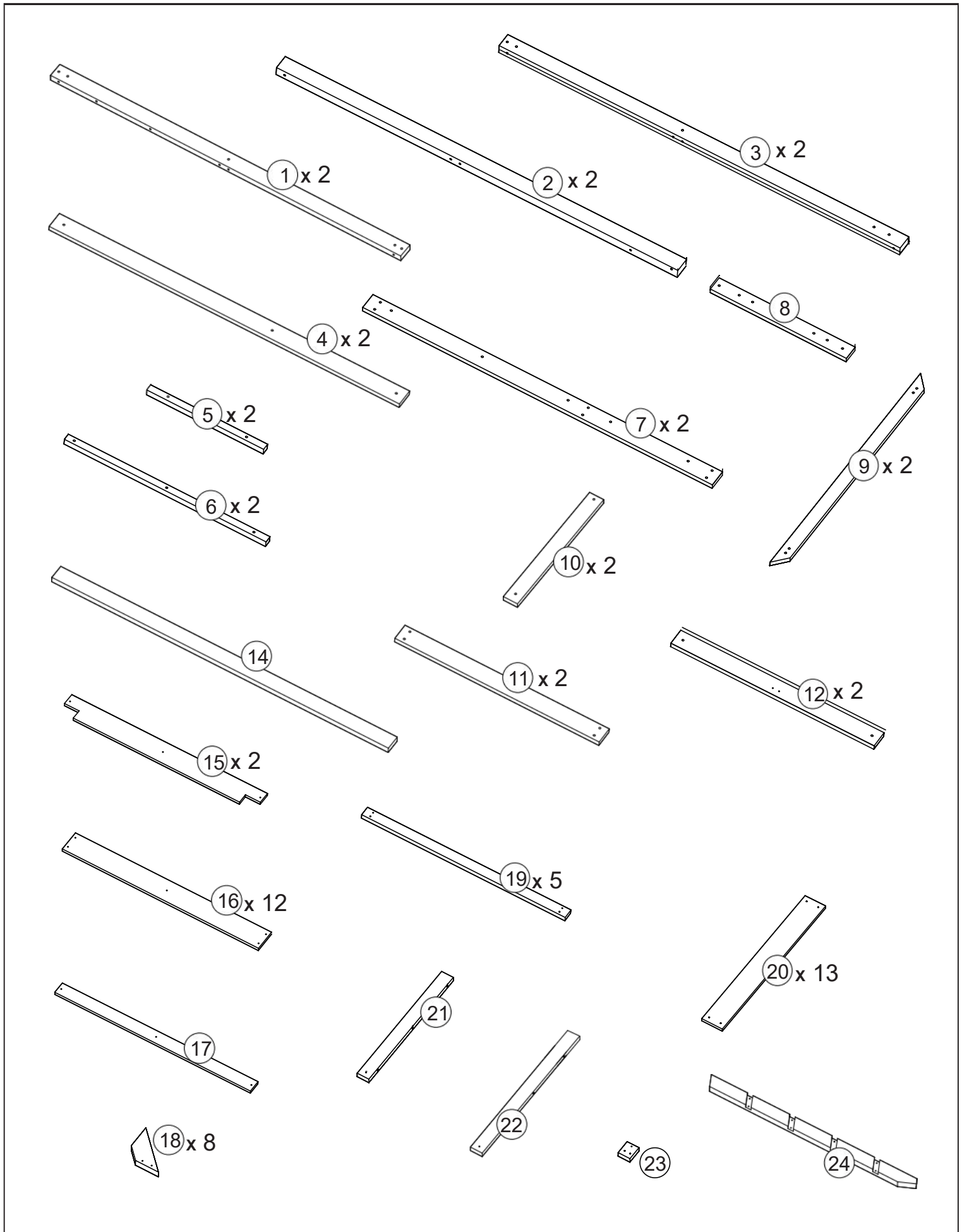
SAFETY INSTRUCTIONS

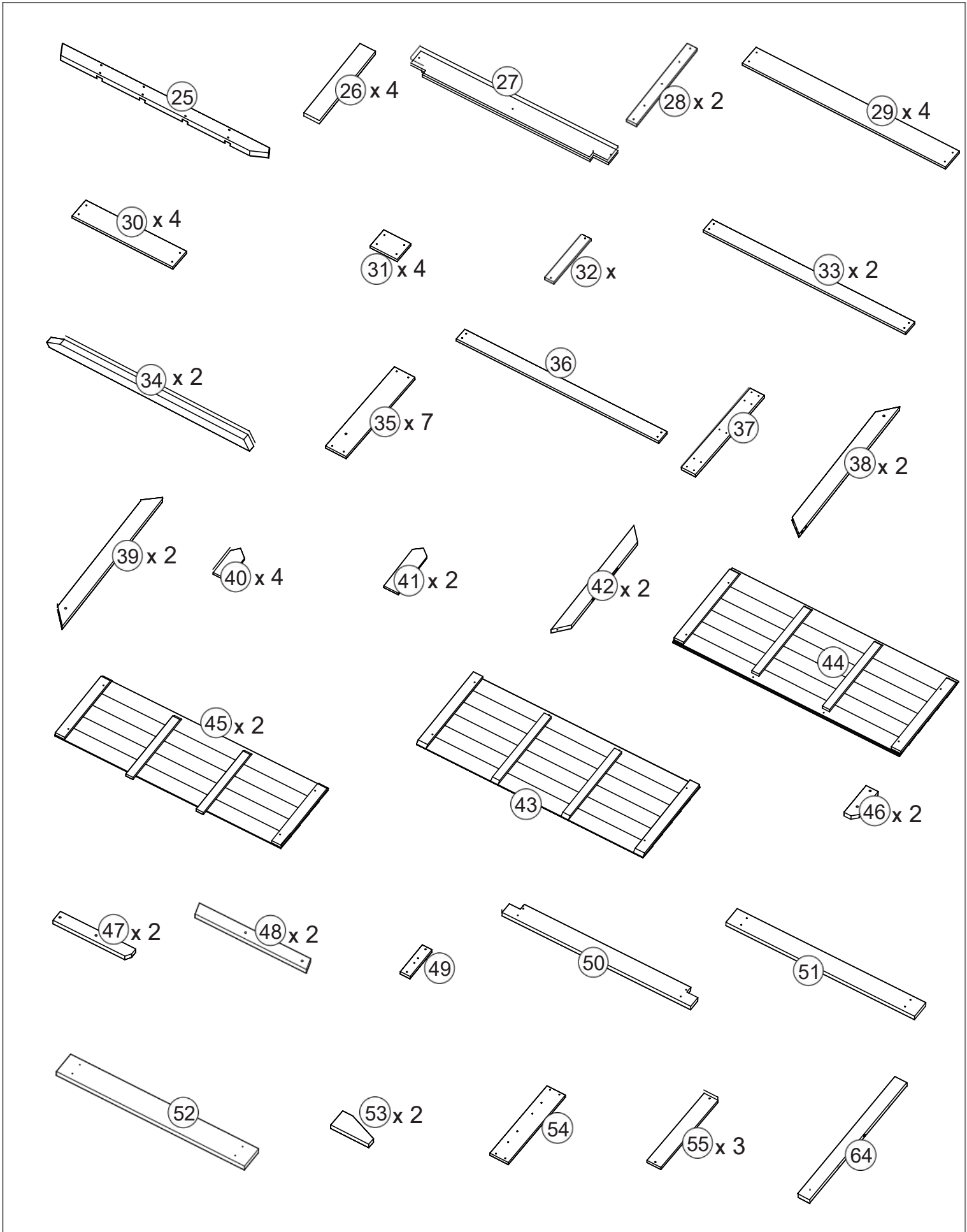
WARNING:

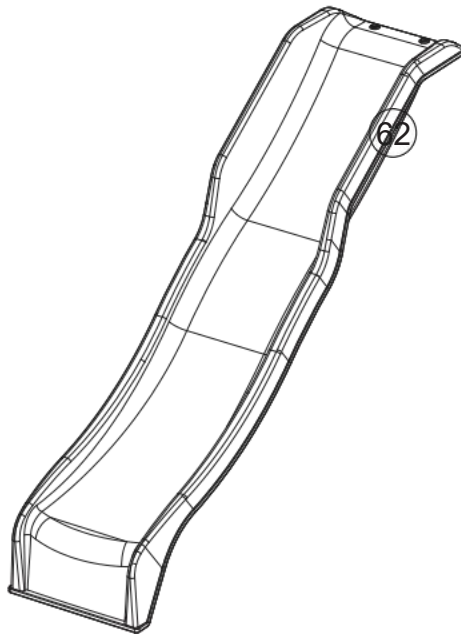
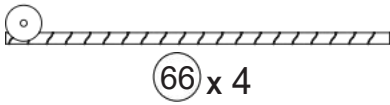
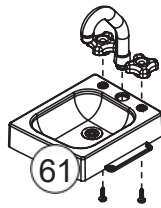
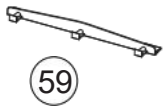
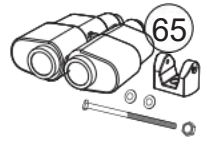
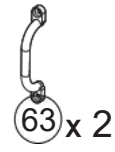
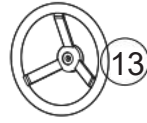
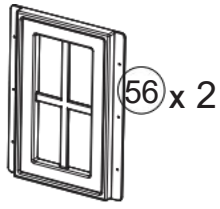
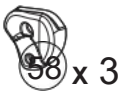
1. This manual lists the contents included in the box. Please take time to identify the hardware as well as the individual components of the product.
2. As you unpack and prepare for assembly, place the contents on a carpeted or padded area to protect them from damage.
3. Small parts present in unassembled state. It's a choking hazard!
4. Please follow the assembly instructions closely. Improper assembly can result in personal or property damage.
5. Assembled by an adult. In the process of play, parents should always accompany the children's side.
6. Do not install it in a dark, damp place.
7. Put it in a place with good ventilation.
8. Clean and disinfect your product frequently to keep it clean and hygienic.
9. Do not overload.









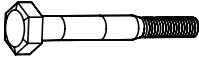
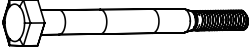
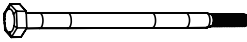
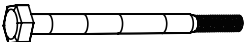

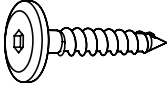
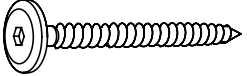
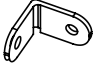
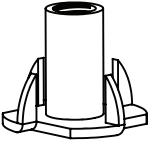
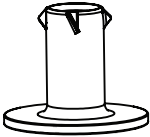
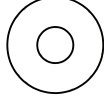
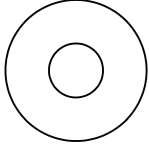
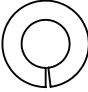
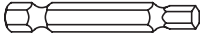
MODEL AND PARAMETERS

Model	TLG92008
Age of application	3-10 age
Product Size	2320*3100*2690mm
Material	Wood







A x 20  15mm	B x 8  20mm	C x 4  20mm	D x 39  25mm	E X222  35mm
F X76 GRAMO X20 h x 15 l x8 j X20				
 45mm	 60mm	 70mm	 H2	 H3
k x 30 l x 6 MET RO x 7 norte x 4 oh x 8				
 H4	 H12	 PB2	 WL3	 WL5
P x 4 q x 64 R x 7 S x 24 t x 85				
 TN1	 BN1	 FW3	 FW1	 FW1
Ud x 71 x 1				
 LW1	 D6			

Cleaning and Care:

Clean surfaces with a dry or damp soft cloth. Do not use abrasive cleaners.

Nettoyage et Entretien:

Nettoyer les surfaces avec un chiffon doux, sec ou humide. Ne pas utiliser de nettoyeurs abrasifs.

Limpieza y Cuidado:

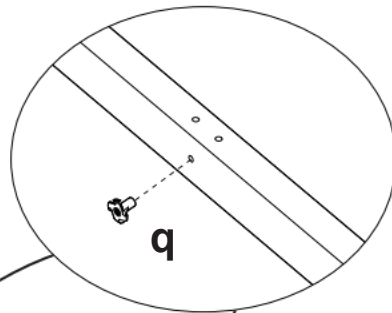
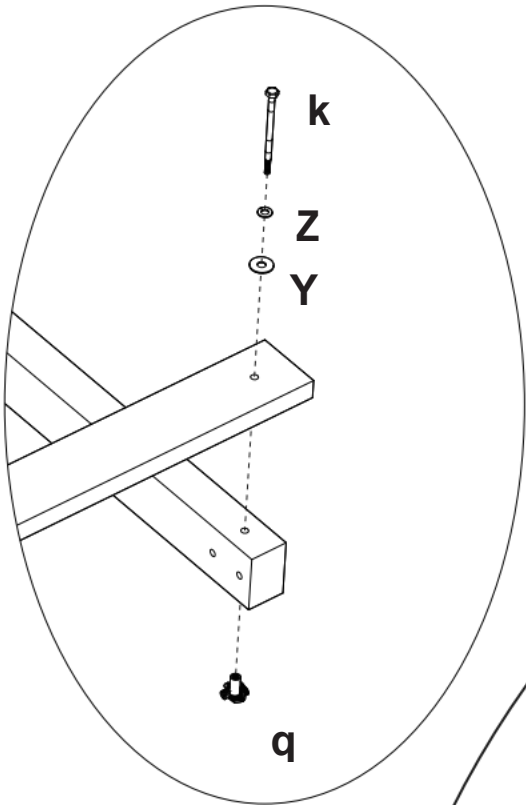
Limpie las superficies con un paño suave seco o húmedo. No use limpiadores abrasivos.

Step
Étape
Paso

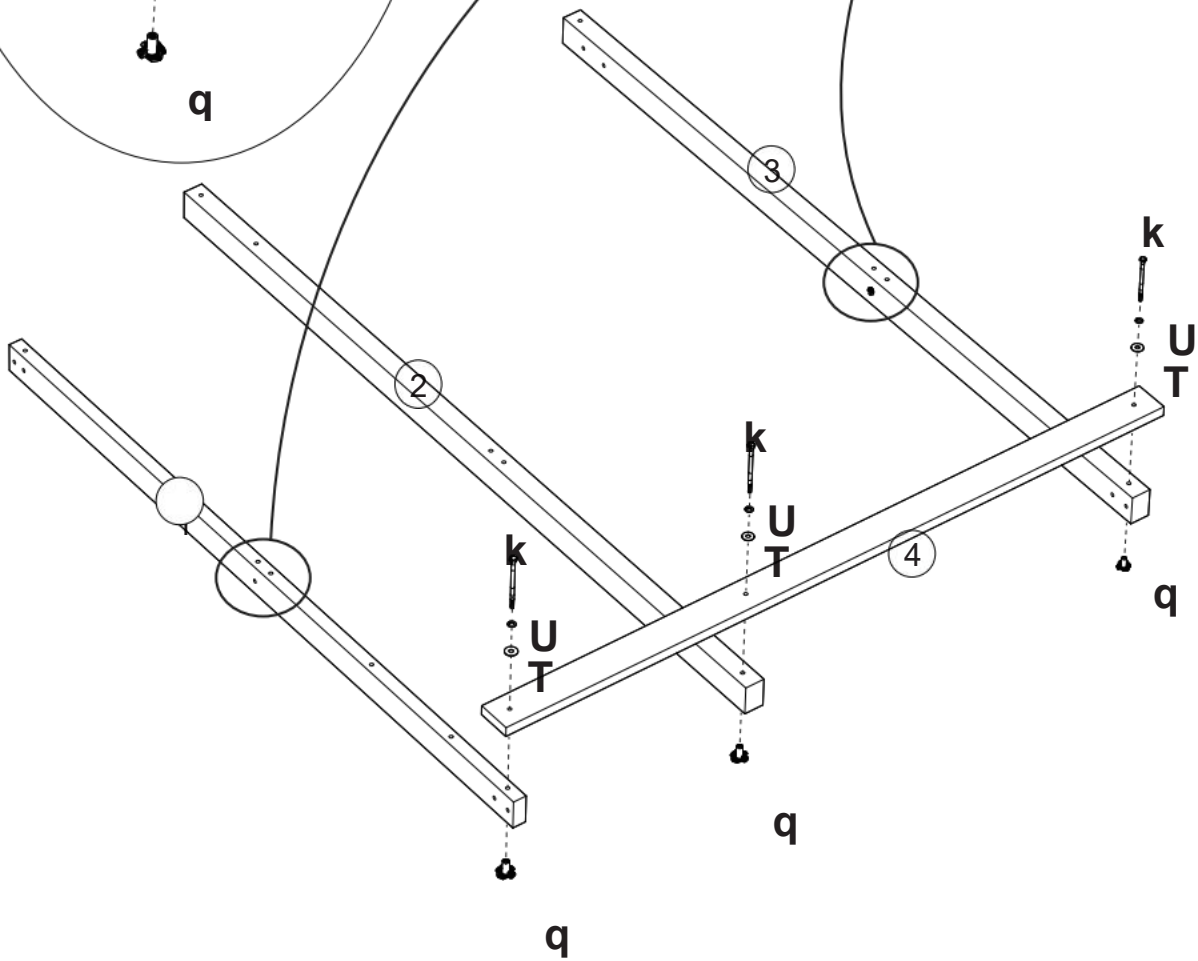
1



- ① x 1
- ② x 1
- ③ x 1
- ④ x 1
- Ⓚ x 3
- Ⓠ x 5
- Ⓣ x 3
- Ⓤ x 3

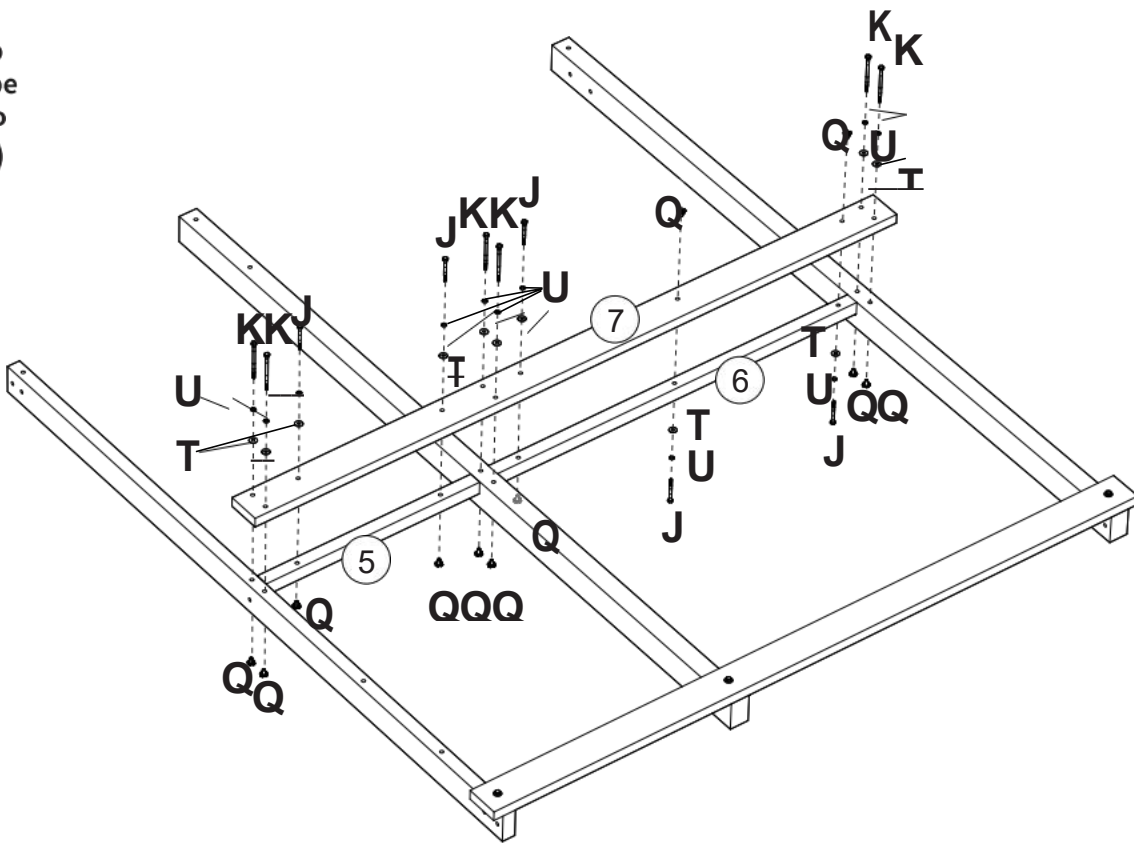


Amar T - Tuercas primero con martillo !



Step
Étape
Paso

2



⑤ x 1

⑥ x 1

⑦ x 1

Ⓚ x 6

Ⓝ x 5

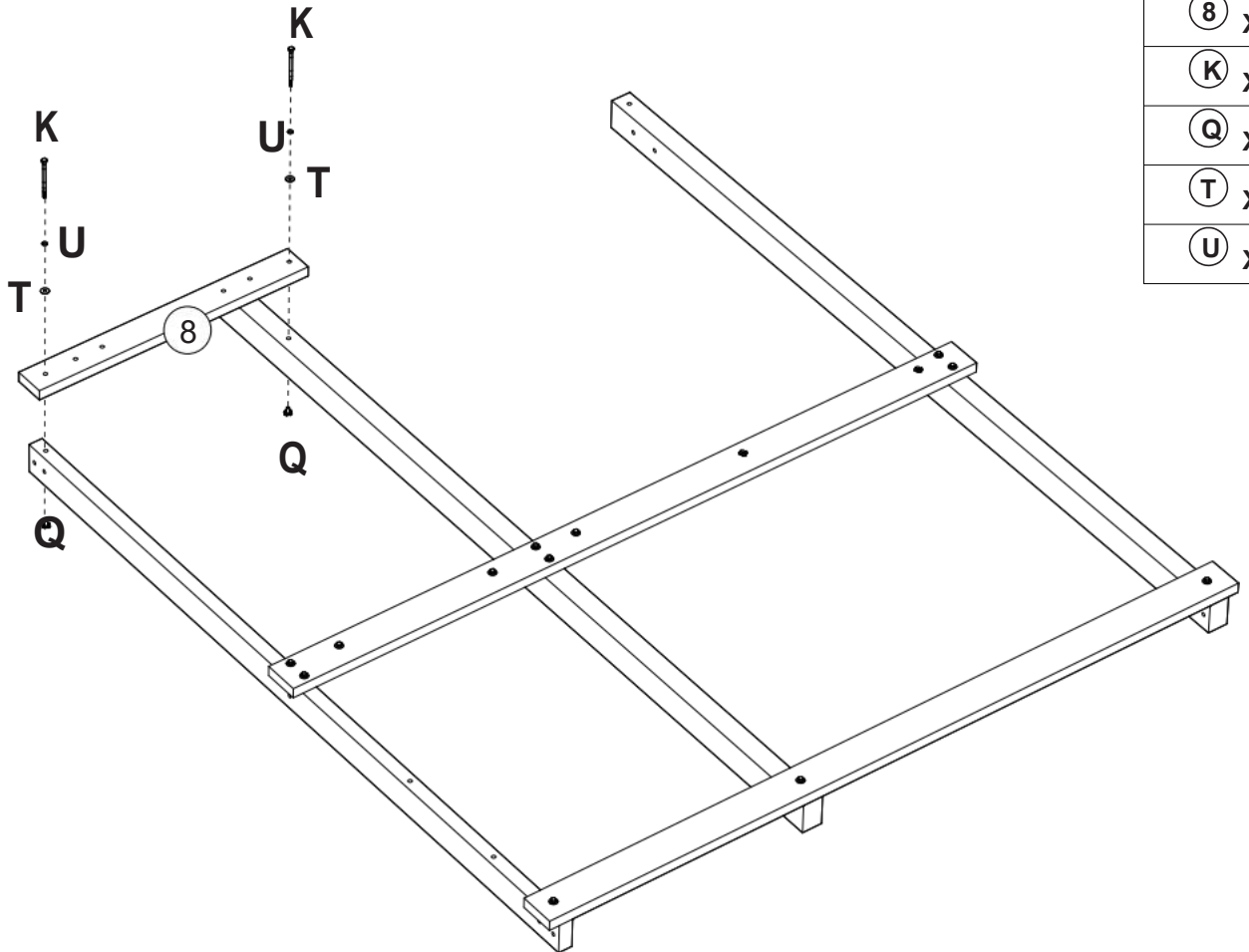
Ⓠ x 11

Ⓣ x 11

Ⓤ x 11

Step
Étape
Paso

3



⑧ x 1

Ⓚ x 2

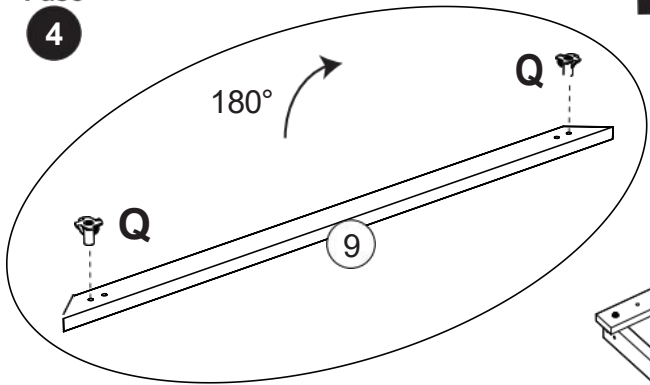
Ⓠ x 2

Ⓣ x 2

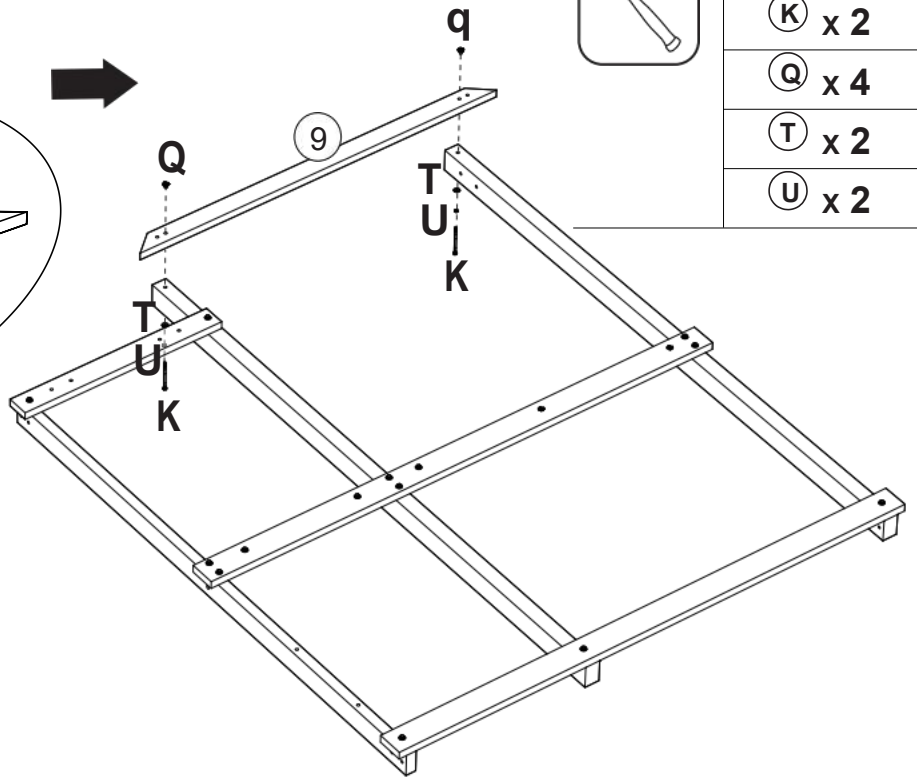
Ⓤ x 2

Step
Étape
Paso

4



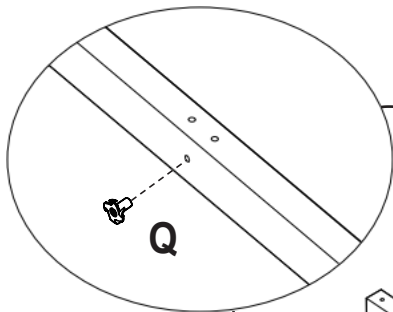
Assemble T-Nuts first with hammer!



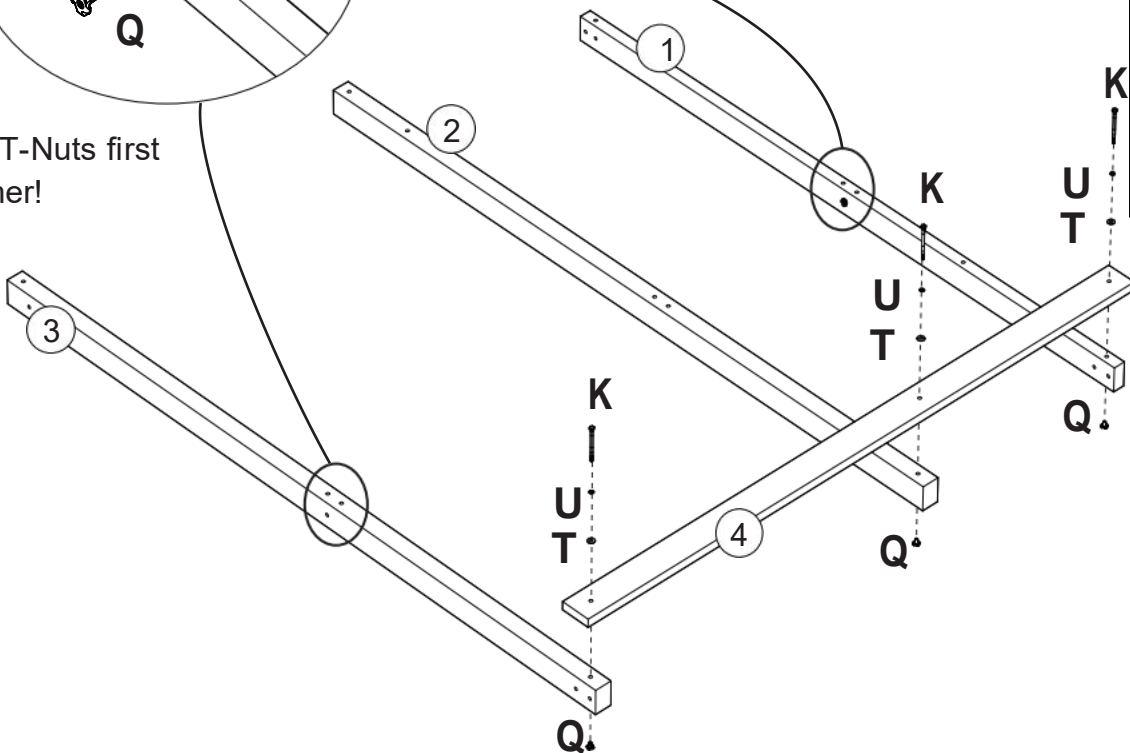
- ⑨ x 1
- Ⓚ x 2
- Ⓠ x 4
- Ⓣ x 2
- Ⓤ x 2

Step
Étape
Paso

5



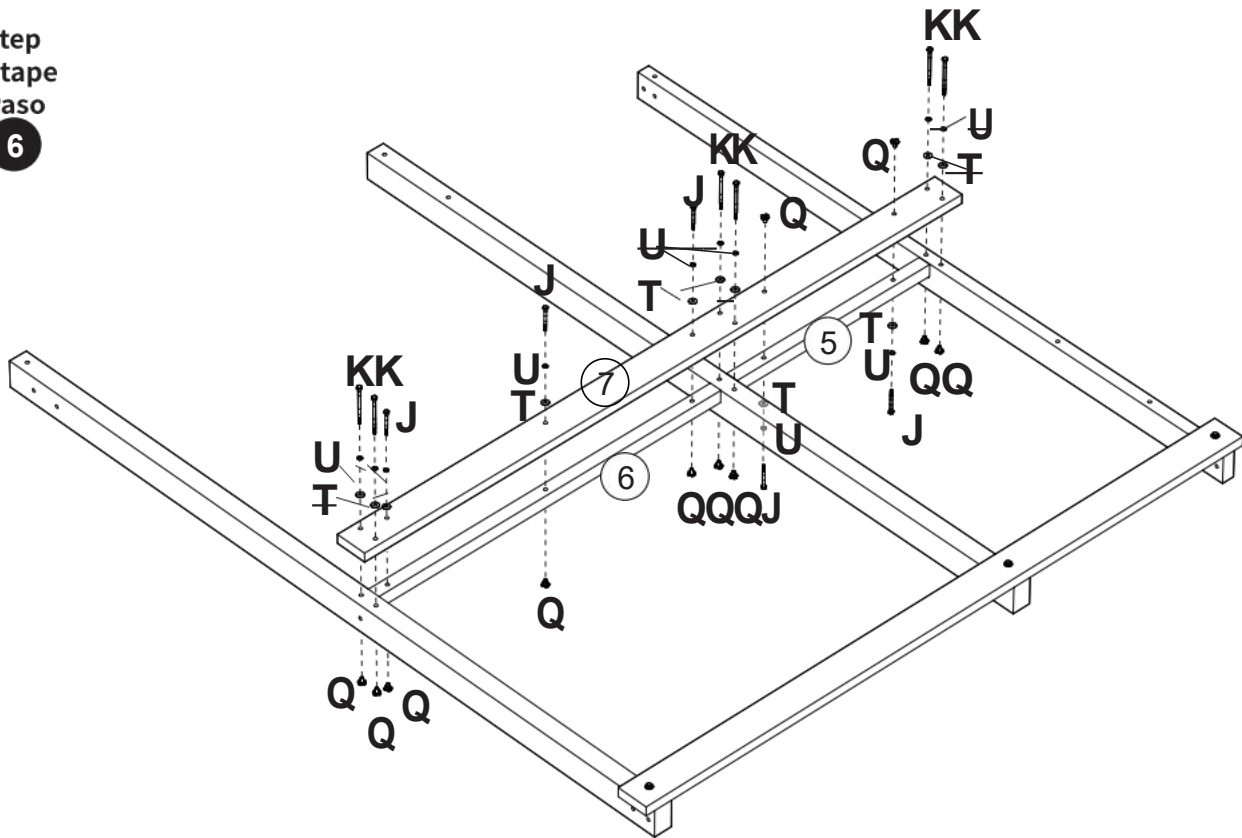
Assemble T-Nuts first with hammer!



- ① x 1
- ② x 1
- ③ x 1
- ④ x 1
- Ⓚ x 3
- Ⓠ x 5
- Ⓣ x 3
- Ⓤ x 3

Step
Étape
Paso

6



⑤ x 1

⑥ x 1

⑦ x 1

Ⓚ x 6

Ⓝ x 5

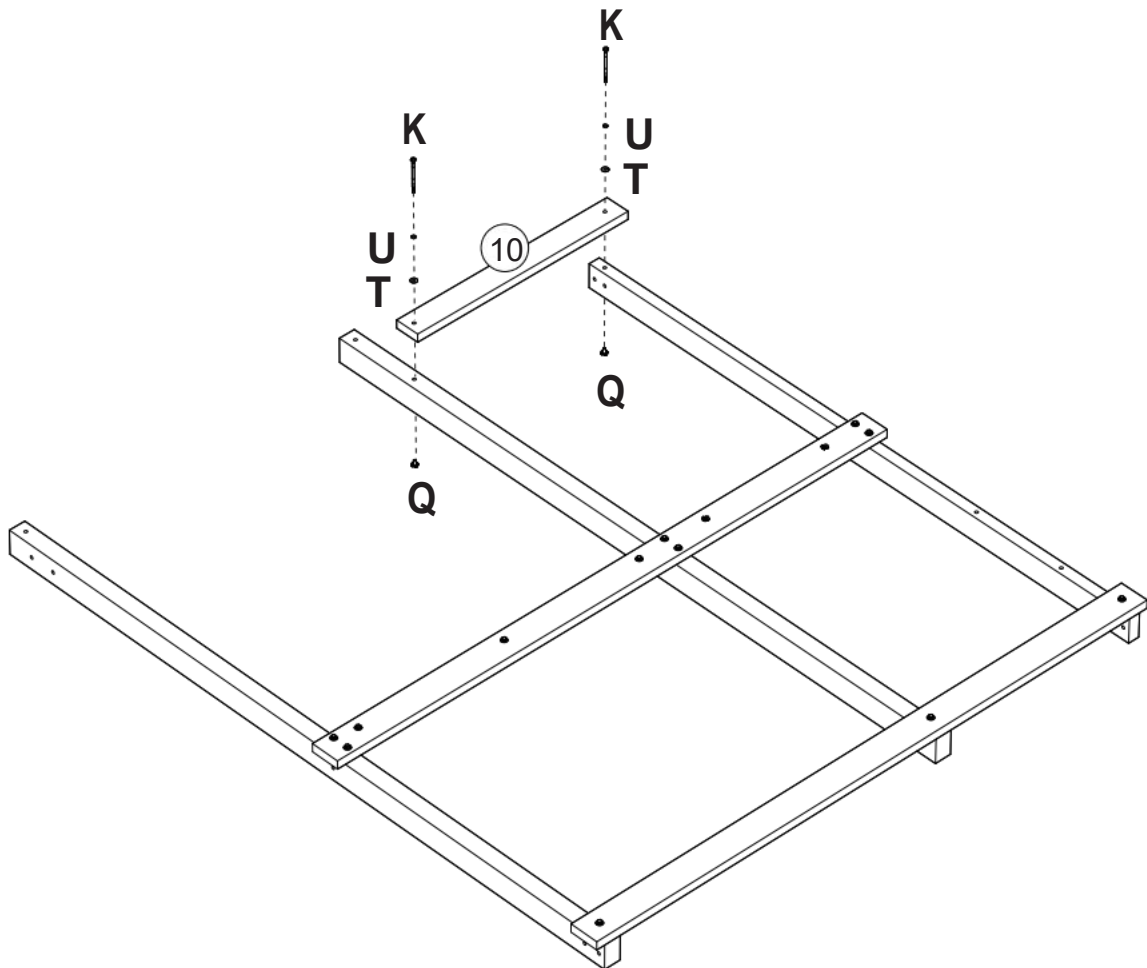
Ⓠ x 11

Ⓣ x 11

Ⓤ x 11

Step
Étape
Paso

7



⑩ x 1

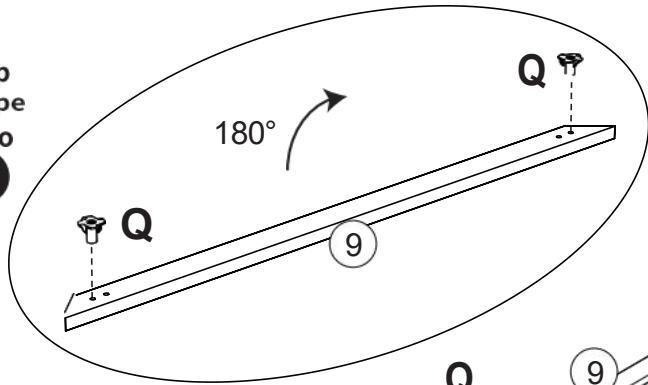
Ⓚ x 2

Ⓠ x 2

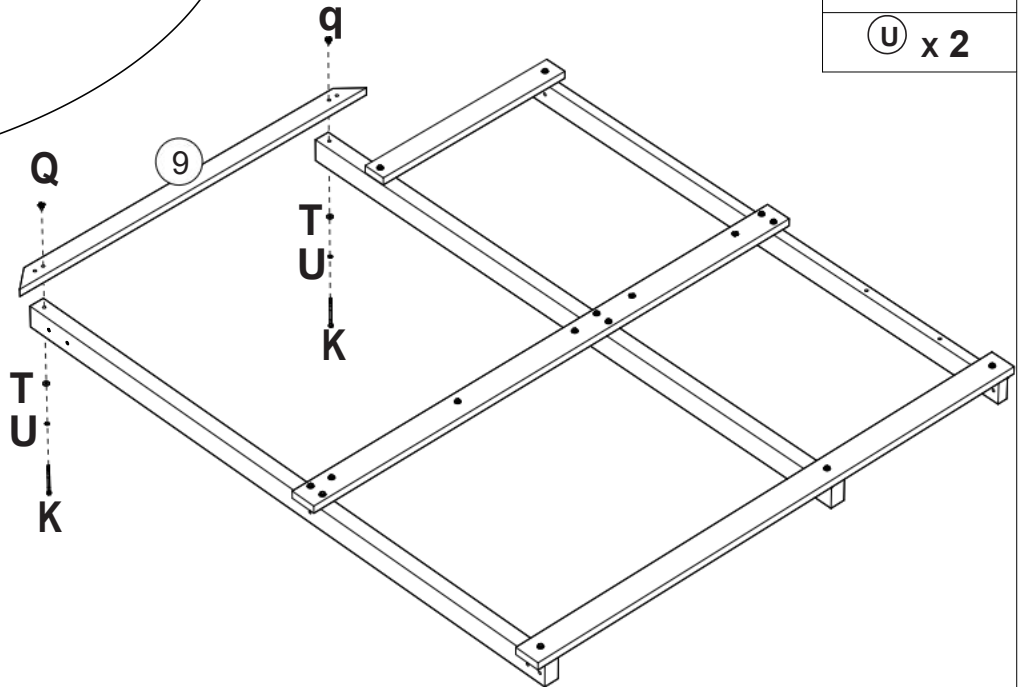
Ⓣ x 2

Ⓤ x 2

Step
Étape
Paso
8

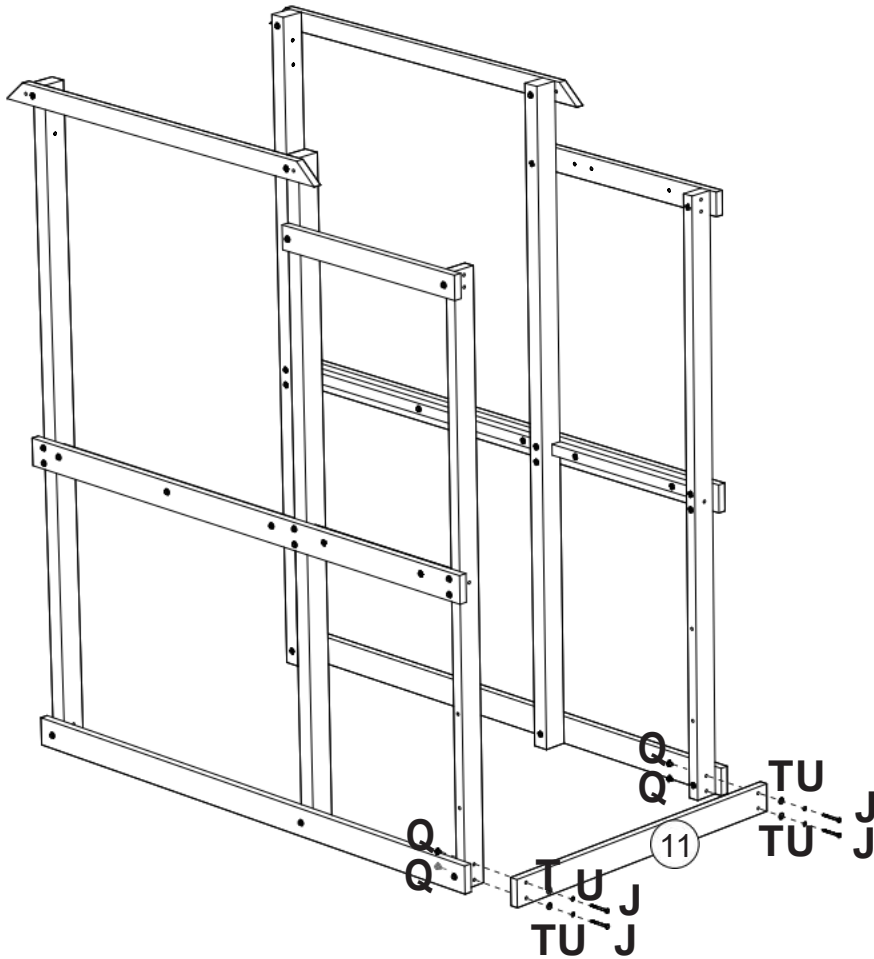


Assemble T-Nuts first
with hammer!



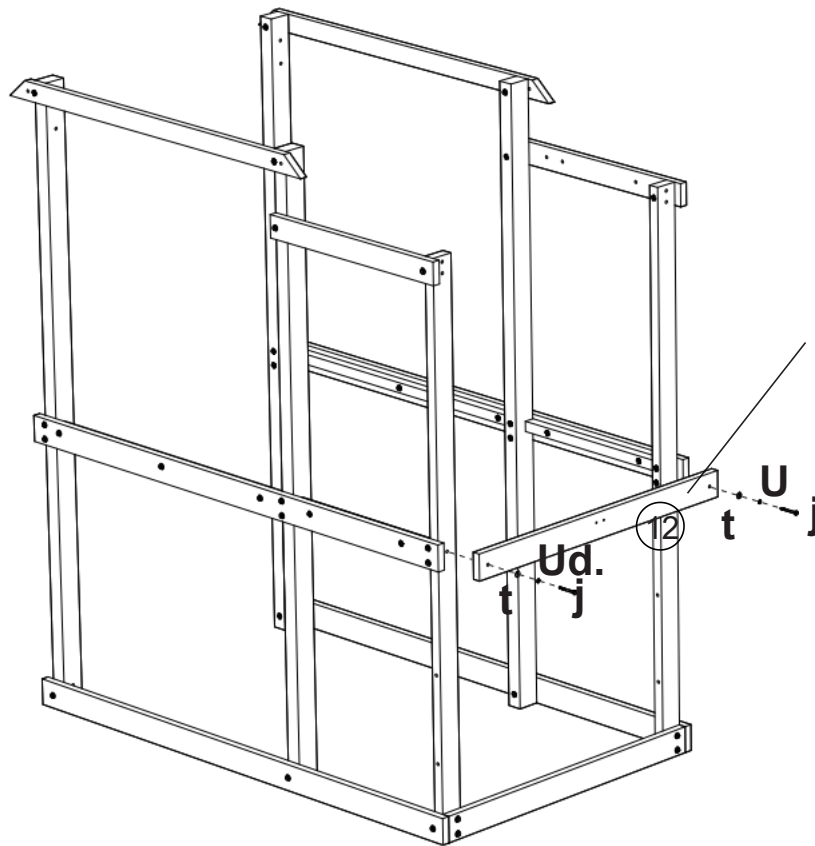
- ⑨ x 1
- Ⓚ x 2
- Ⓚ x 4
- Ⓣ x 2
- Ⓤ x 2

Step
Étape
Paso
9



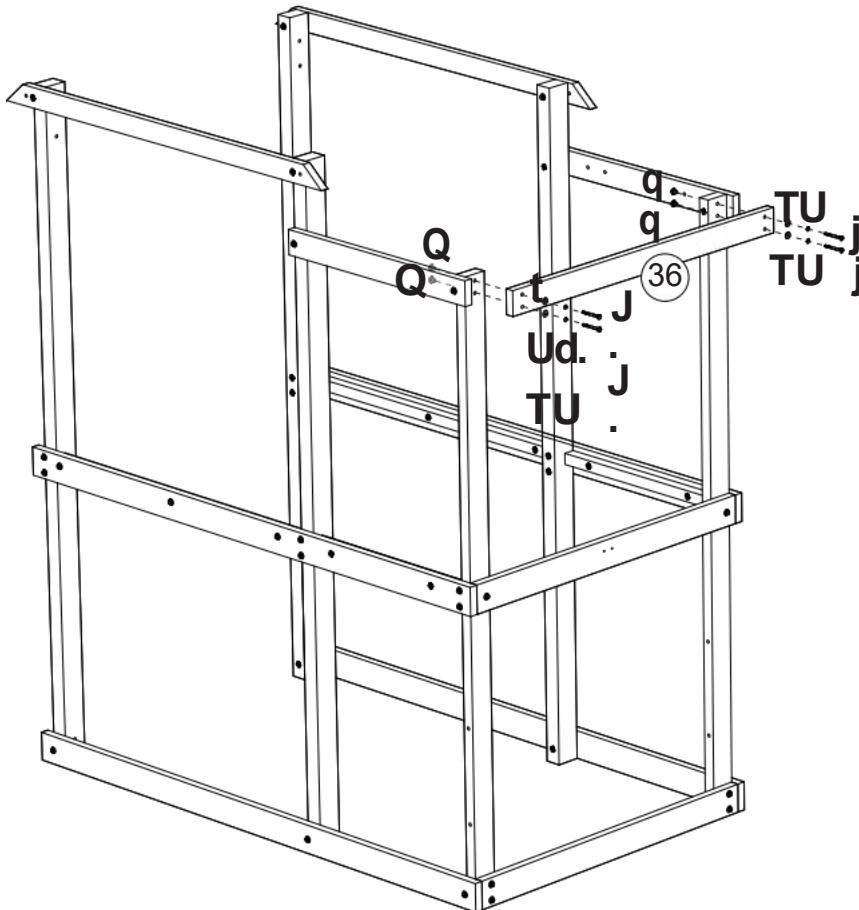
- ⑪ x 1
- Ⓝ x 4
- Ⓚ x 4
- Ⓣ x 4
- Ⓤ x 4

Step
Étape
Paso
10



- ⓫ x 1
- Ⓝ x 2
- Ⓣ x 2
- Ⓤ x 2

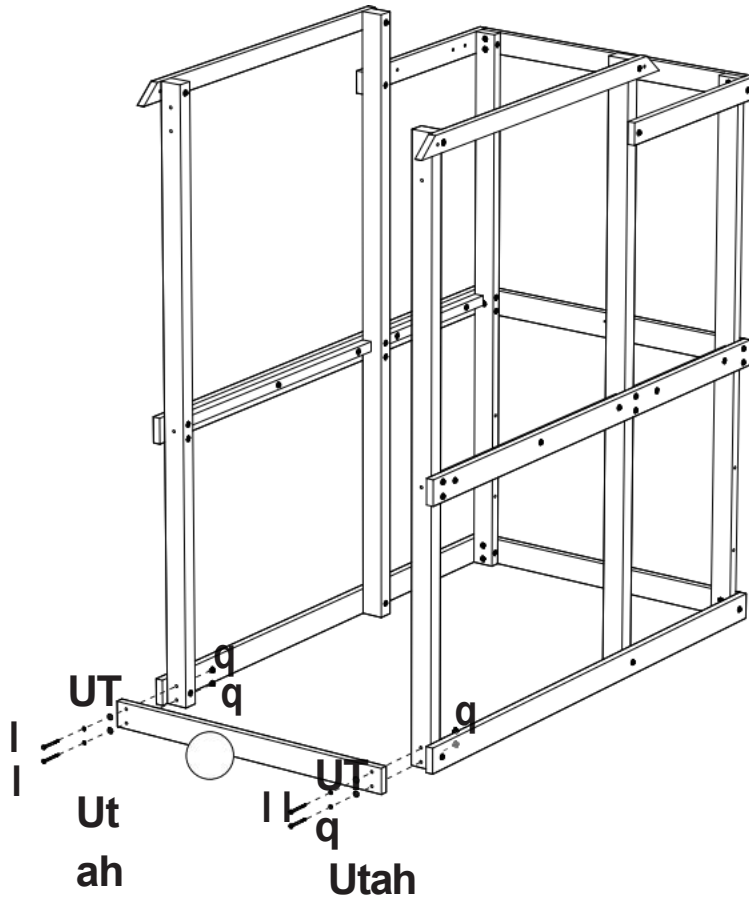
Step
Étape
Paso
11



- ⓫ x 1
- Ⓝ x 4
- Ⓠ x 4
- Ⓣ x 4
- Ⓤ x 4

Step
Étape
Paso

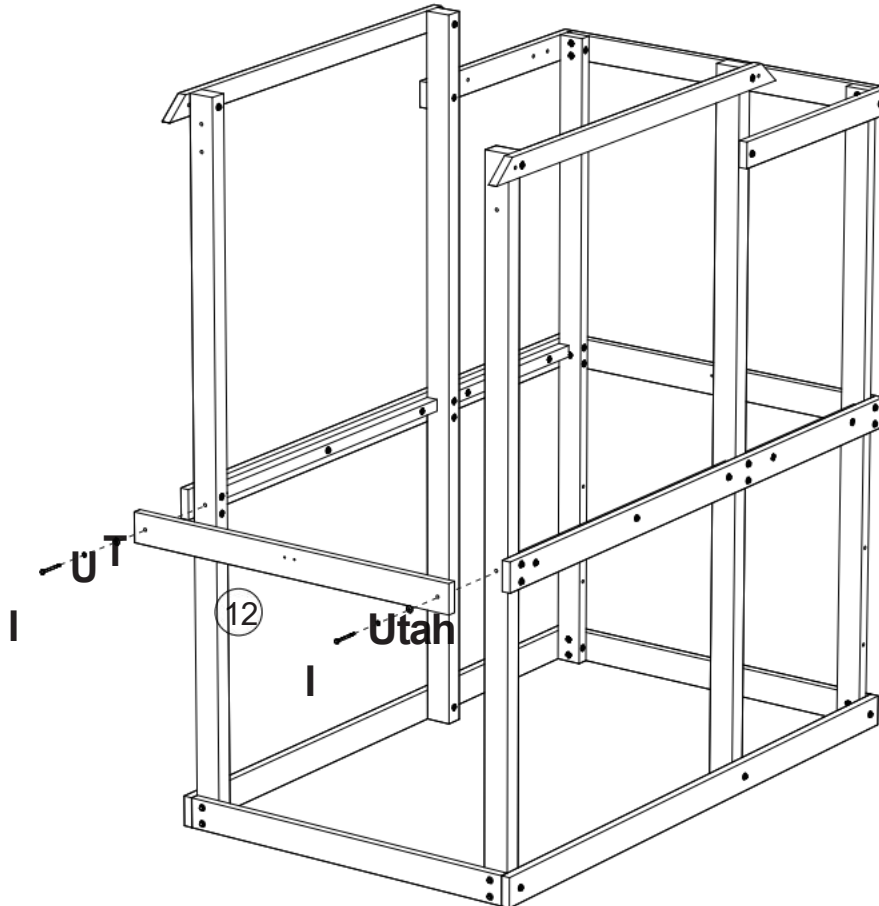
12



⑪	x 1
Ⓛ	x 4
Ⓠ	x 4
Ⓣ	x 4
Ⓤ	x 4

Step
Étape
Paso

13



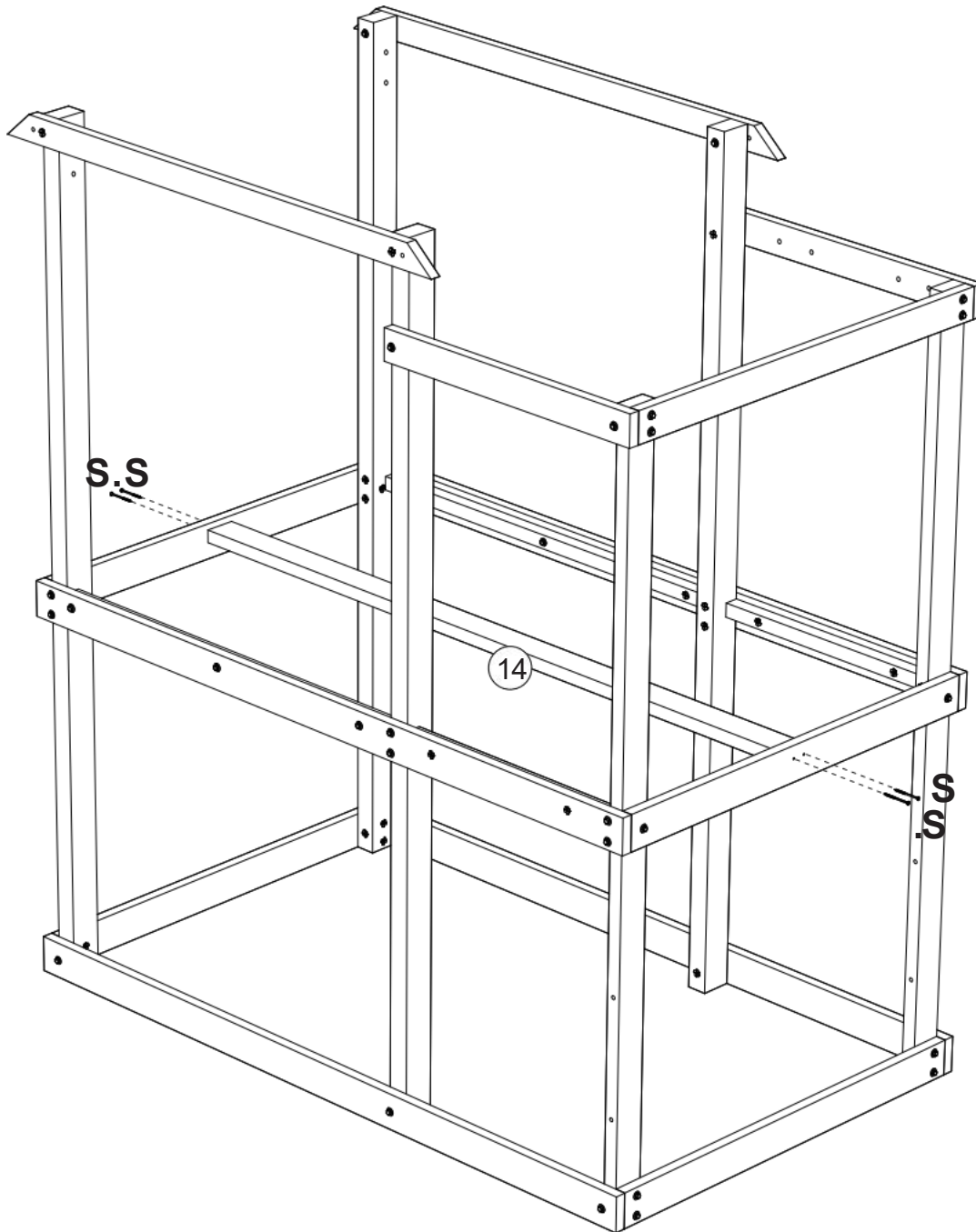
⑫	x 1
Ⓛ	x 2
Ⓣ	x 2
Ⓤ	x 2

14 x 1

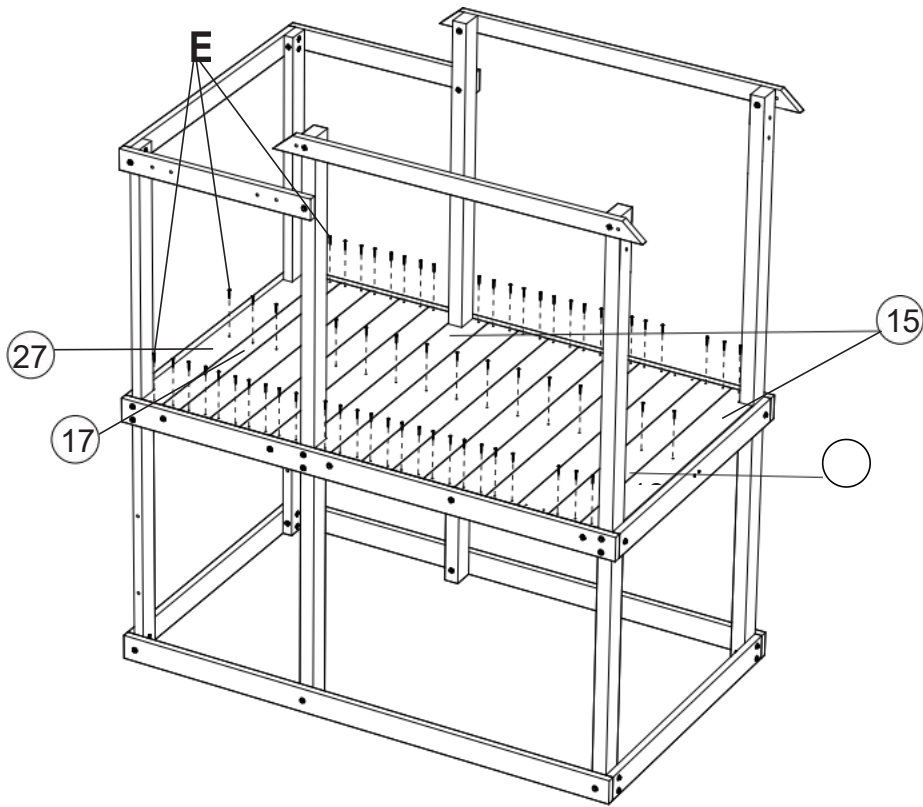
H x 4

Step
Étape
Paso

14

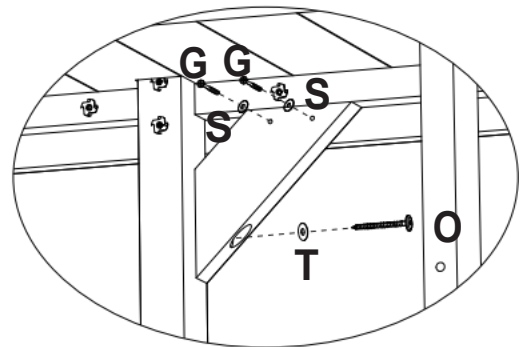
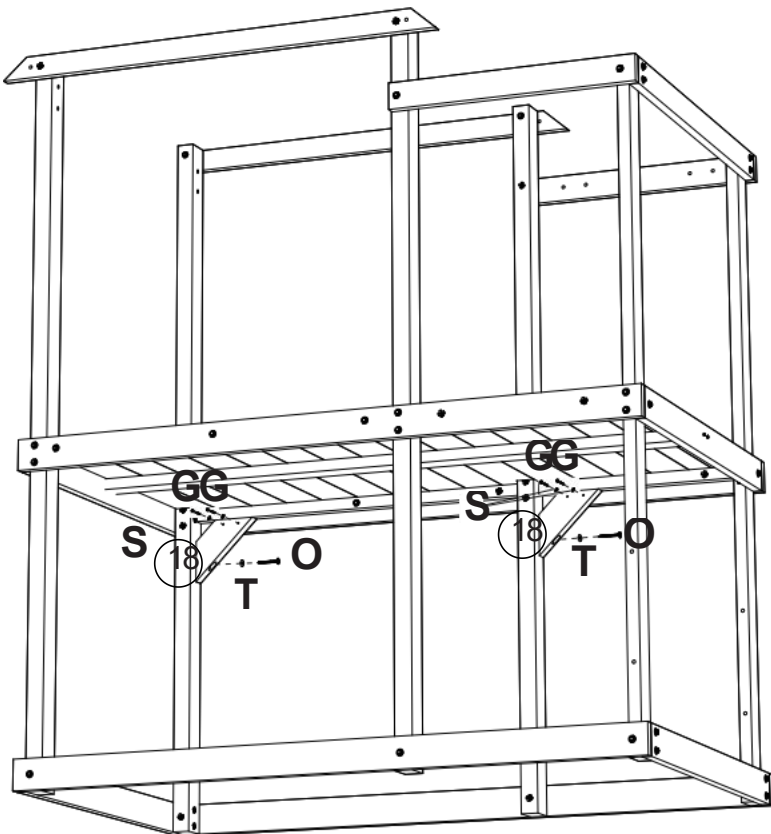


Step
Étape
Paso
15



15	x 2
16	x 12
17	x 1
27	x 1
E	x 67

Step
Étape
Paso
die

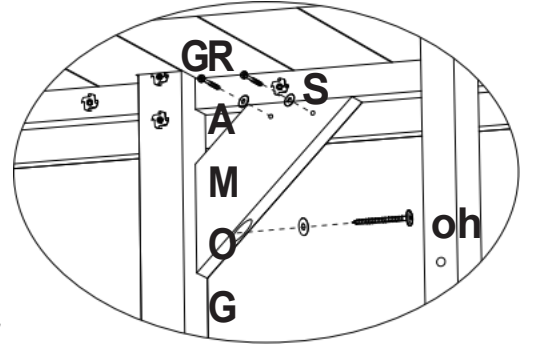
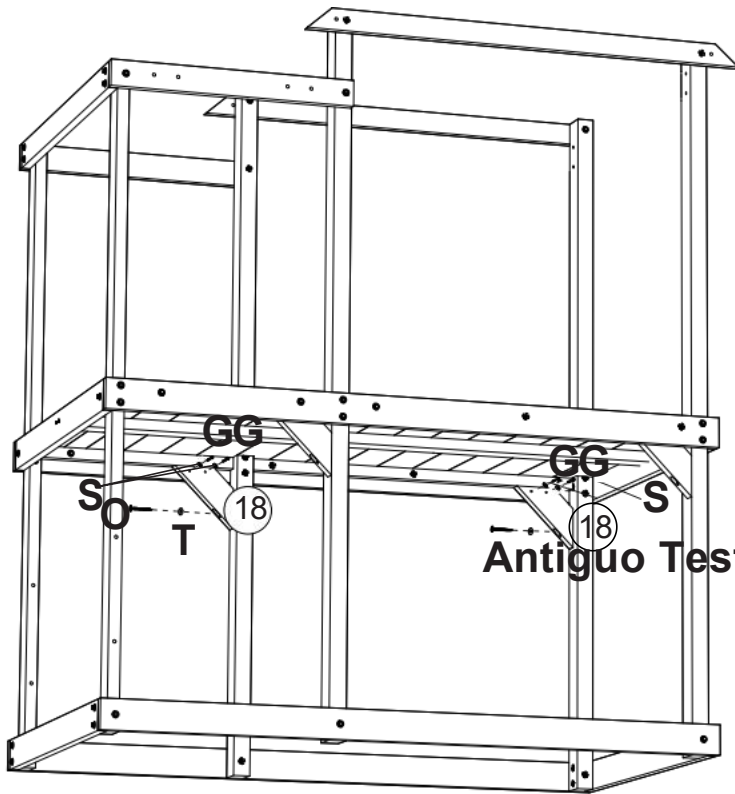


18	x 2
G	x 4
O	x 2
S	x 4
T	x 2

Step
Étape
Paso

17

18	x 2
G	x 4
O	x 2
S	x 4
T	x 2

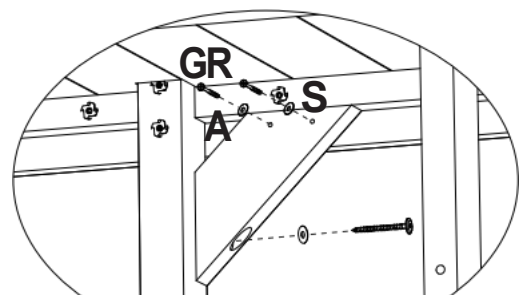
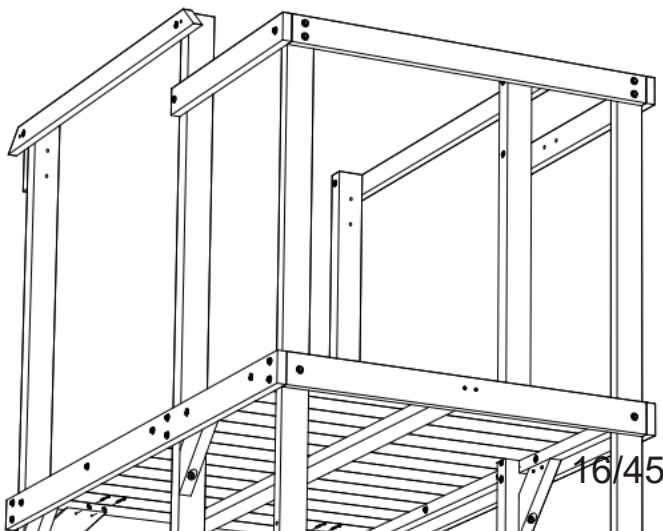


T

Step
Étape
Paso

18

18	x 2
G	x 4
O	x 2
S	x 4
T	x 2



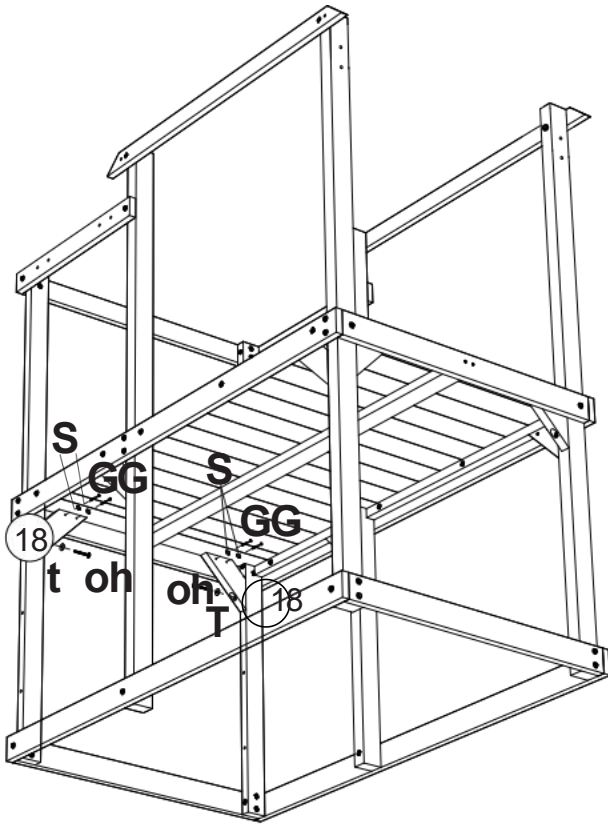
M
O
G
R
A
M
O
S

S GG
⑱ t oh O T ⑱

T O

Step
Étape
Paso

19



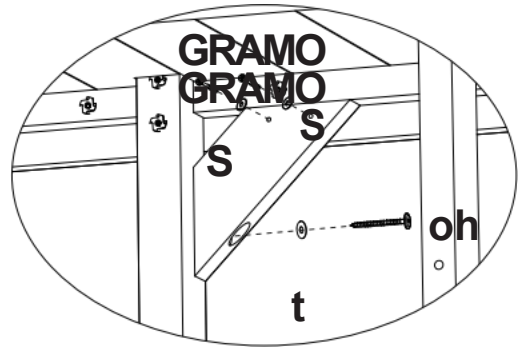
18 x 2

G x 4

O x 2

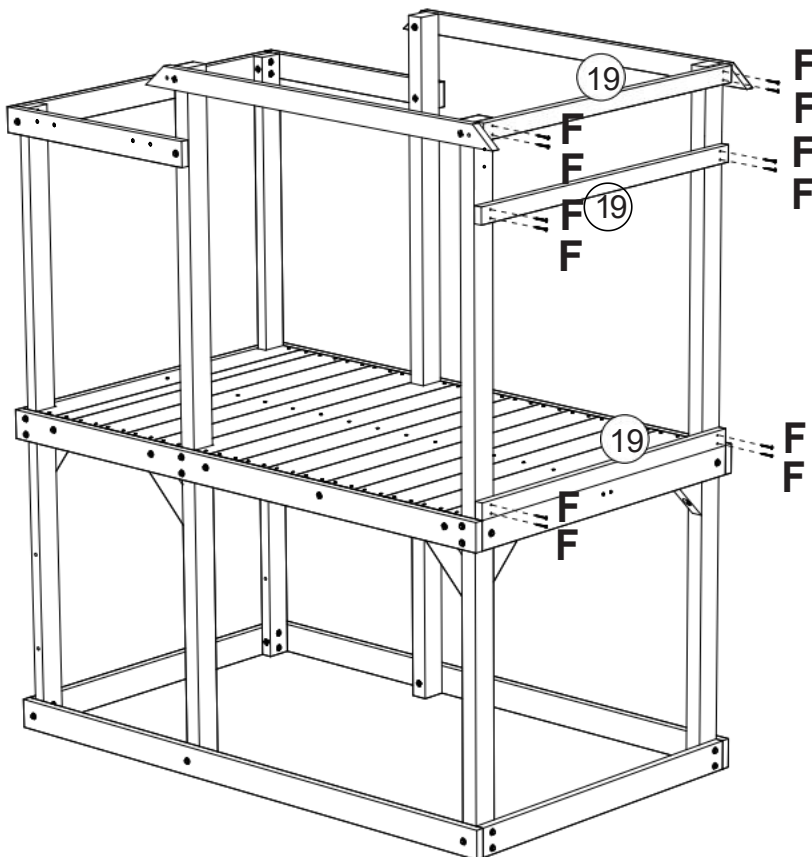
S x 4

T x 2



Step
Étape
Paso

20

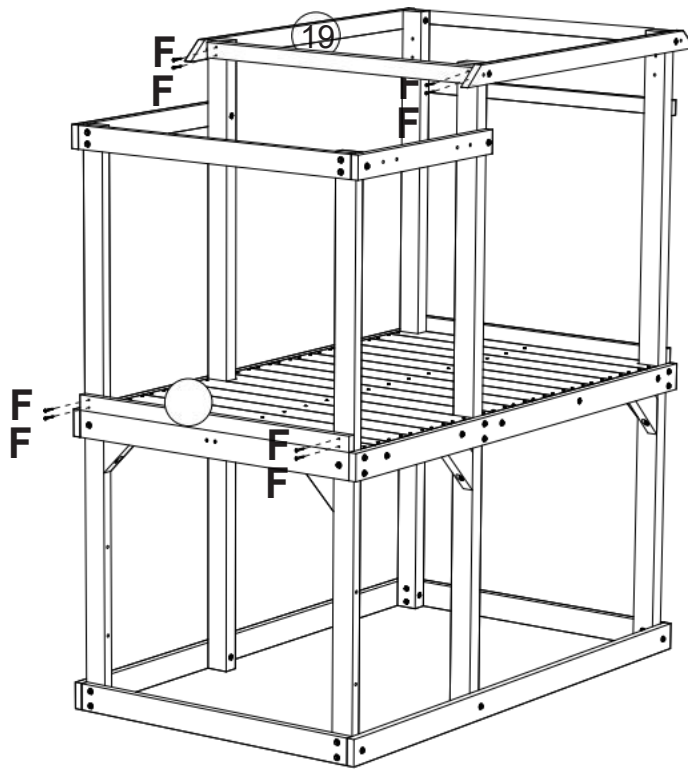


19 x 3

F x 12

Step
Étape
Paso

21

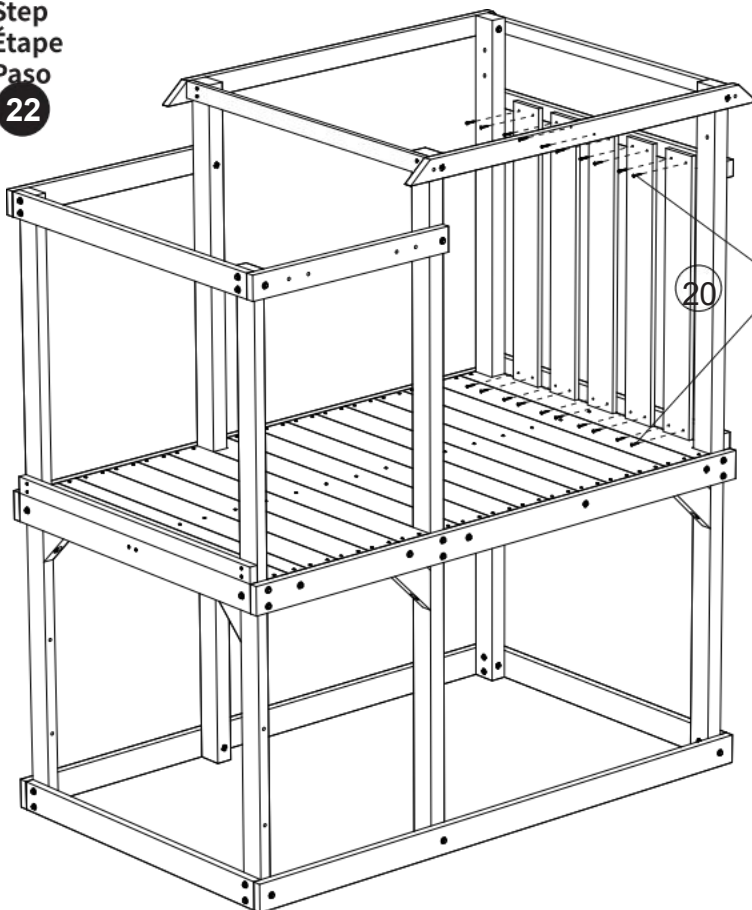


19 x 2

F x 8

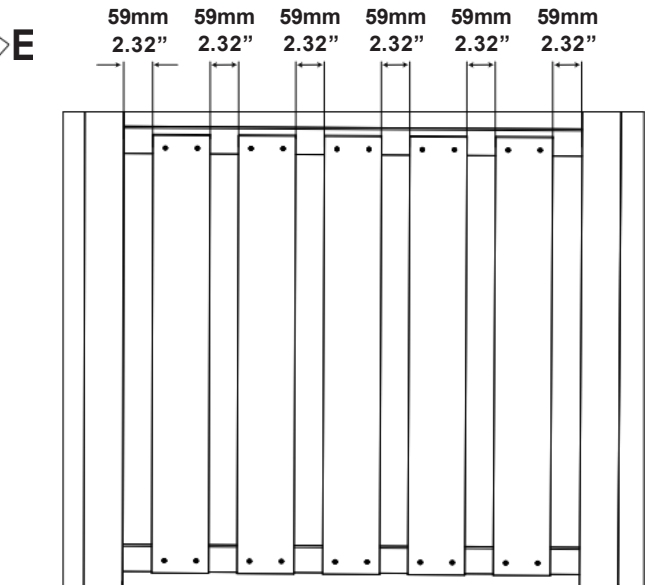
Step
Étape
Paso

22



20 x 5

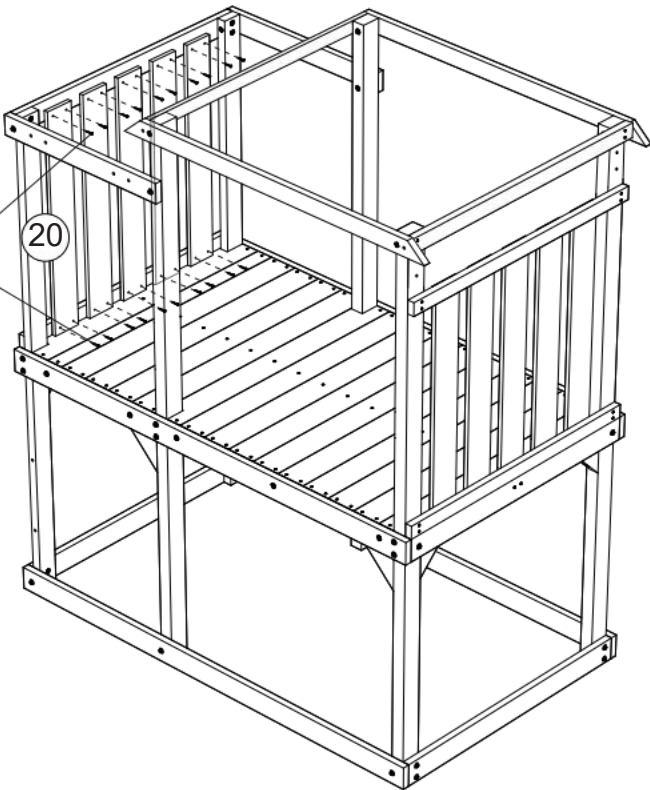
E x 20



Step
Étape
Paso

23

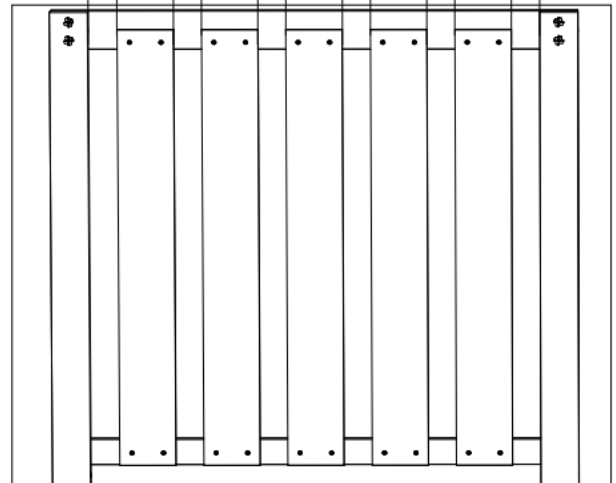
mi



20 x 5

E x 20

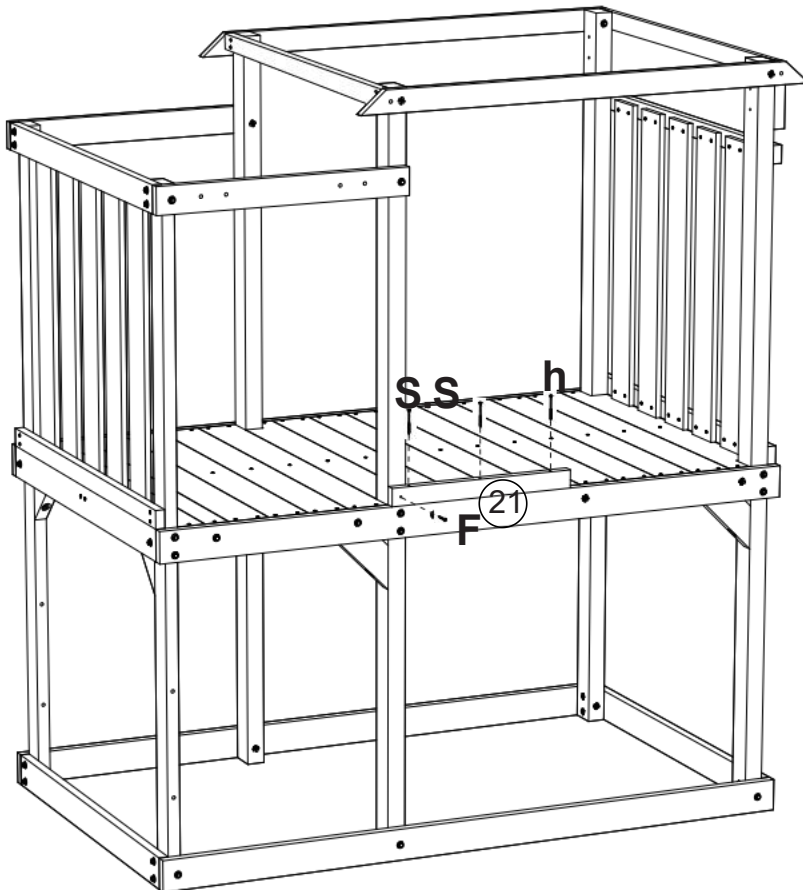
59mm 59mm 59mm 59mm 59mm 59mm
2,32" 2,32" 2,32" 2,32" 2,32" 2,32"



Step
Étape
Paso

24

ss h
F 21



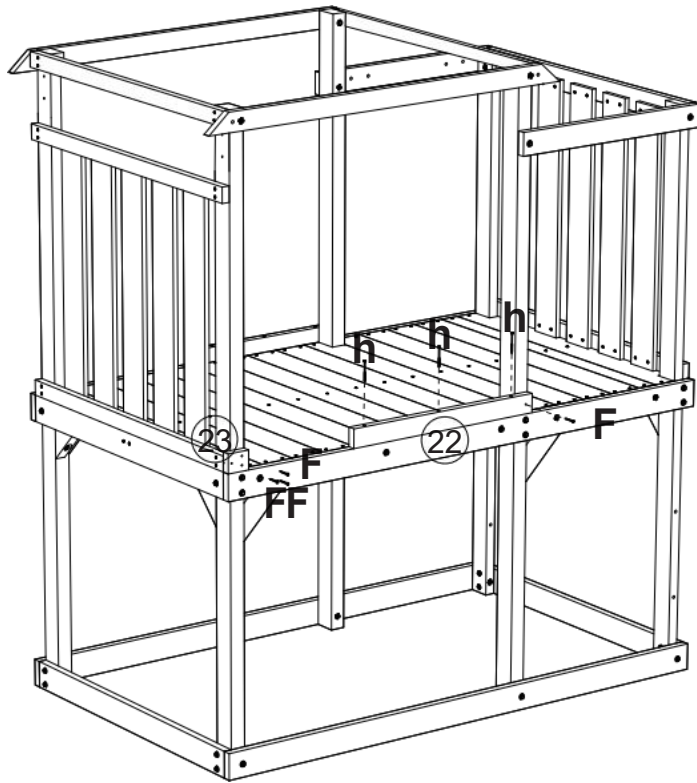
21 x 1

F x 1

H x 3

Step
Étape
Paso

25



22 x 1

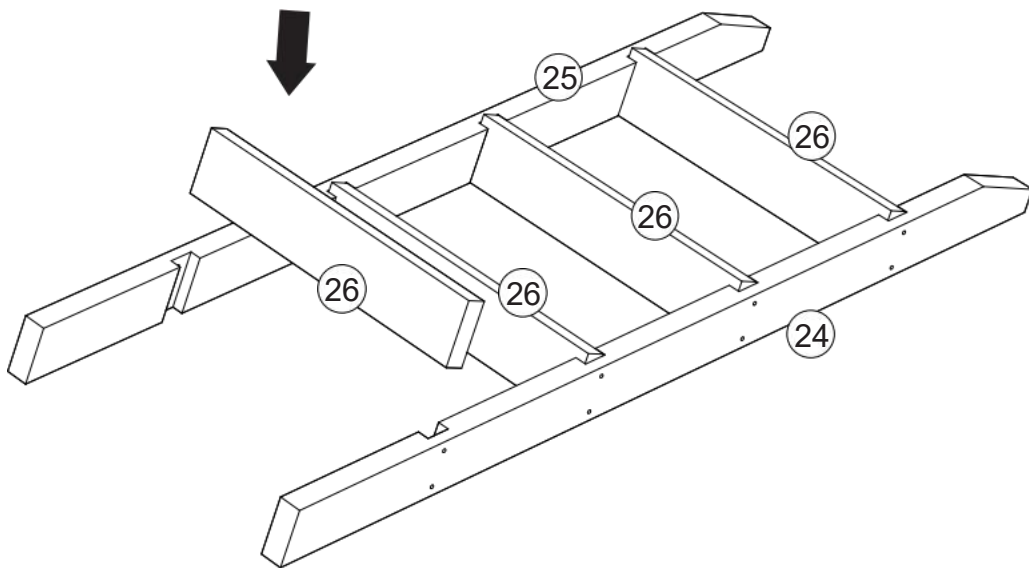
23 x 1

F x 4

H x 3

Step
Étape
Paso

26



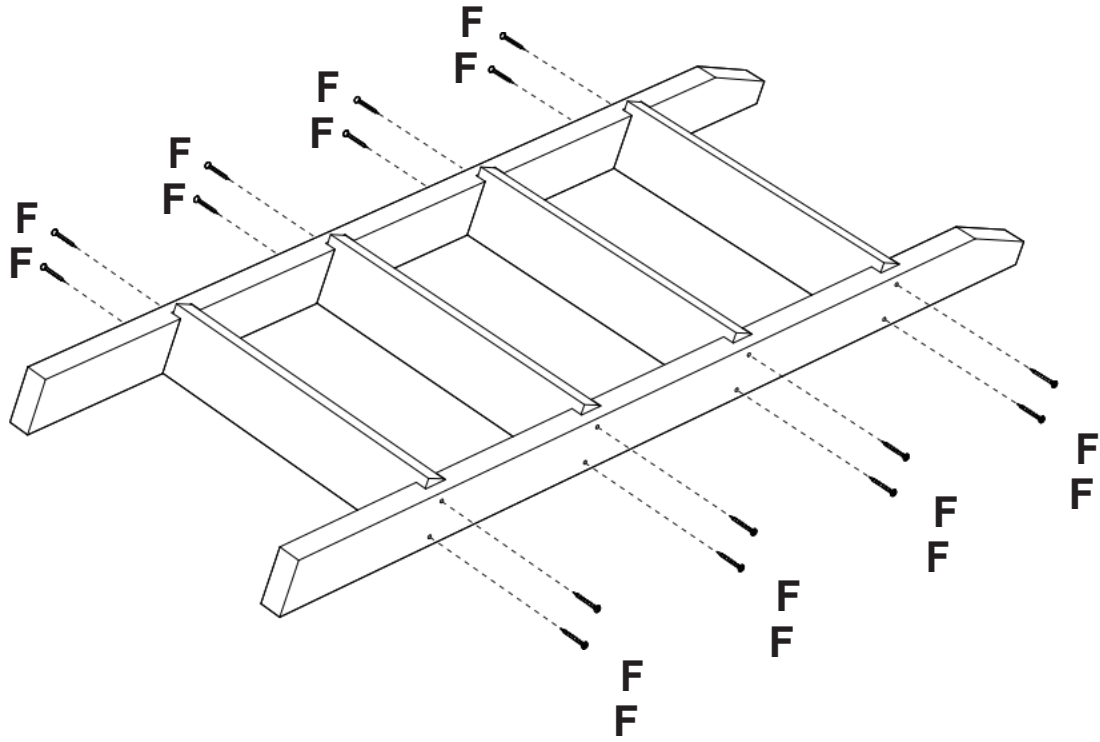
24 x 1

25 x 1

26 x 4

Step
Étape
aso

27



(F) x
dieci
séis

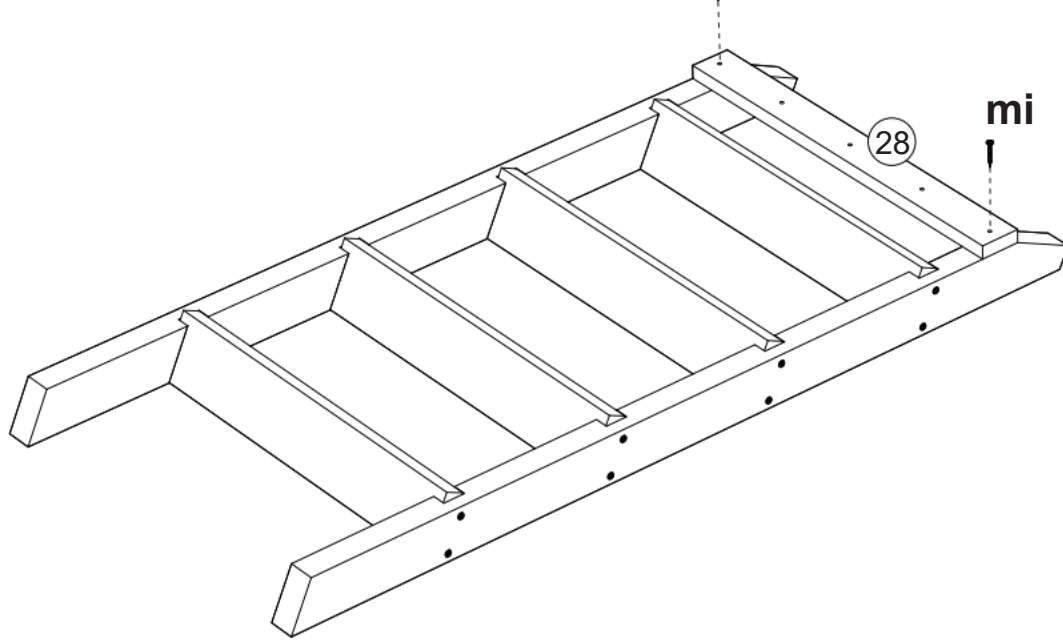
Step
Étape
aso

28

mi

(28) x 1

(E) x 2

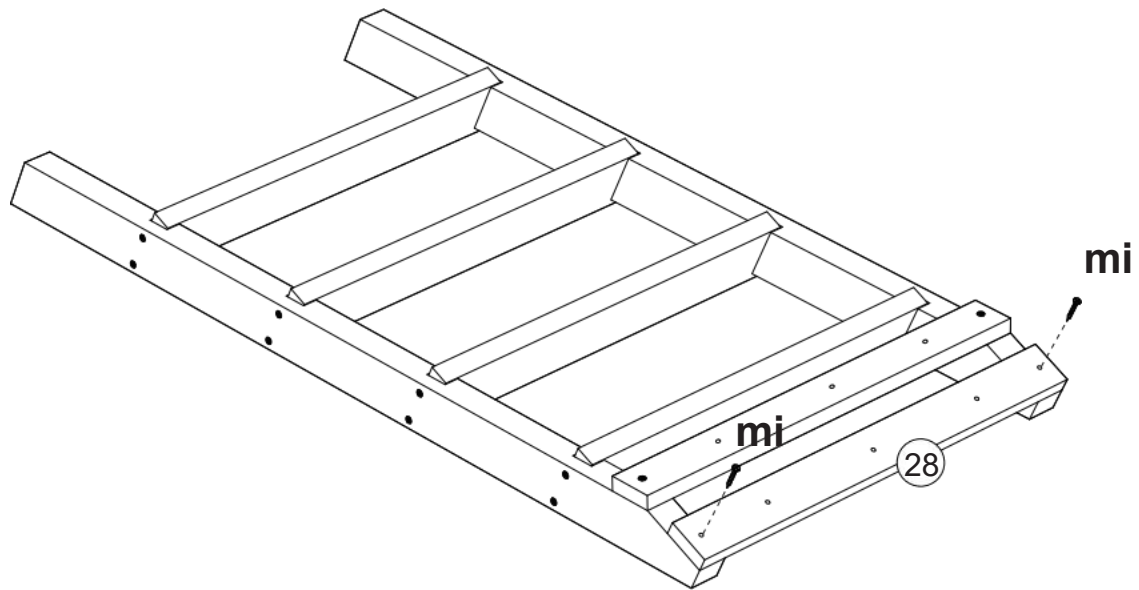


Step
Étape
Paso

29

28 x 1

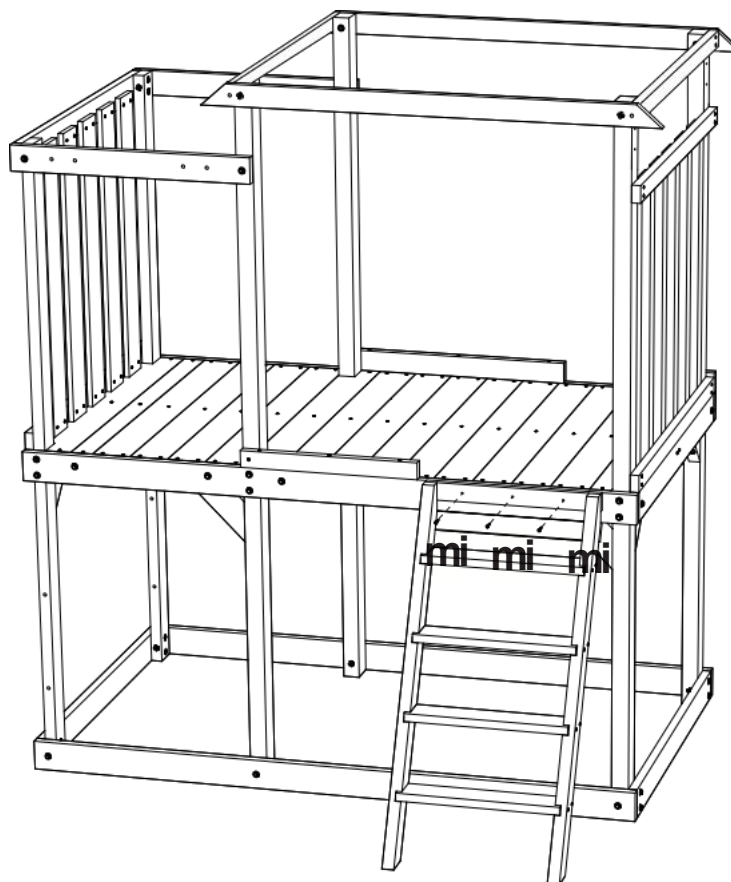
E x 2



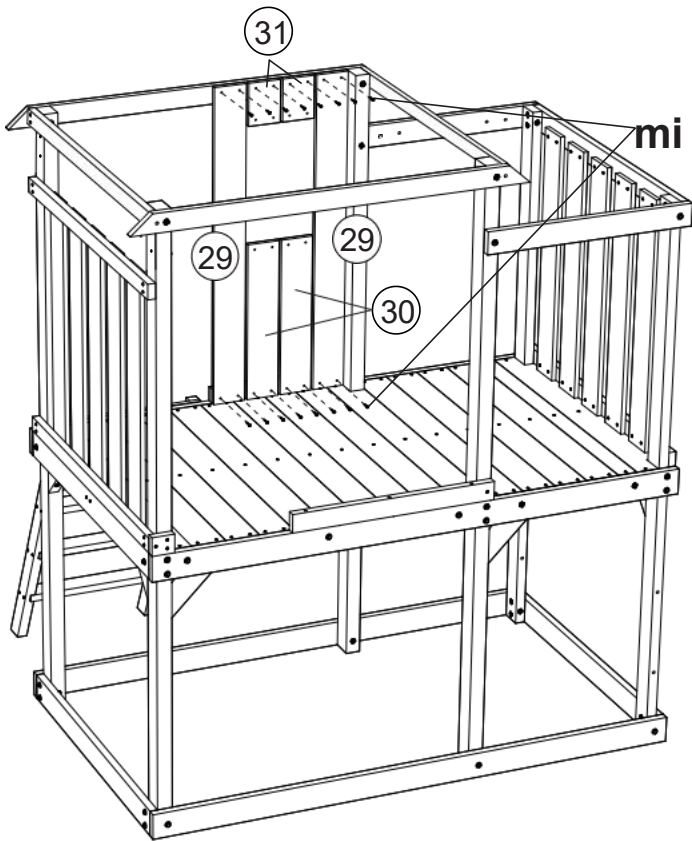
Step
Étape
Paso

30

E x 3



Step
Étape
Paso
31



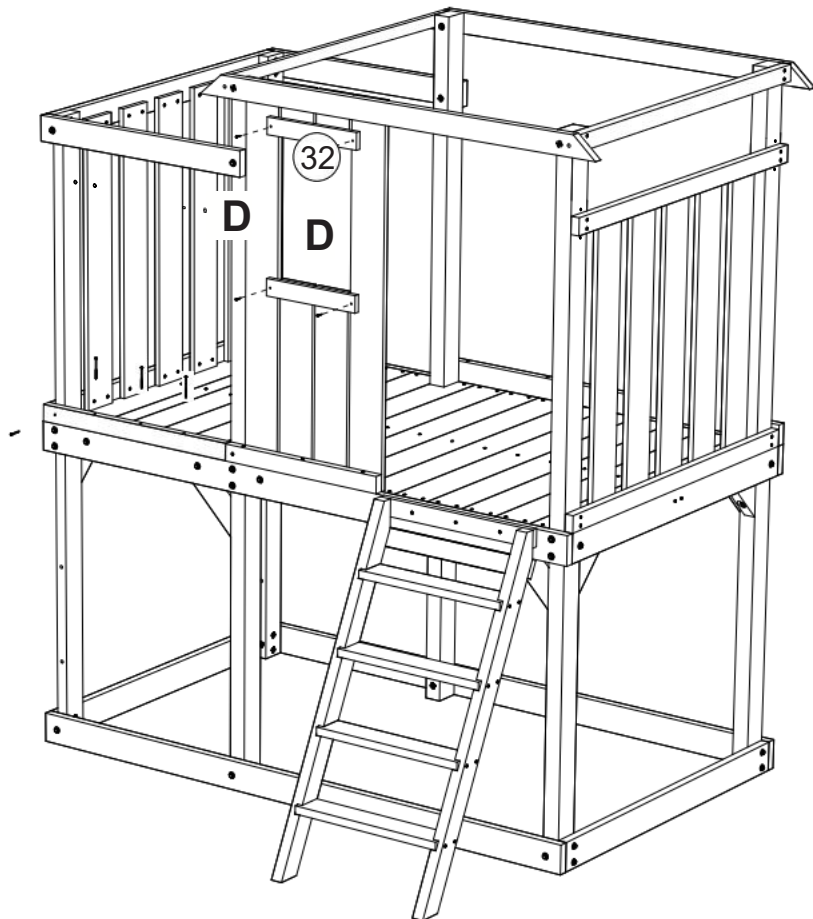
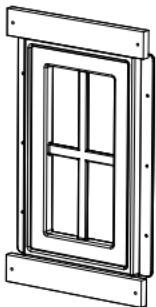
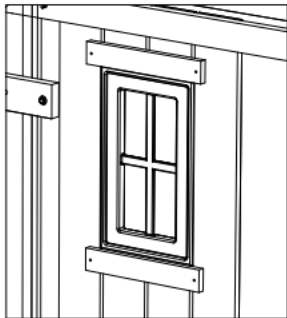
②⑨ x 2

③① x 2

③① x 2

ⓔ x
dieci
séis

Step
Étape
Paso
32



③② x 2

⑥④ x 1

ⓓ x 4

ⓕ x 1

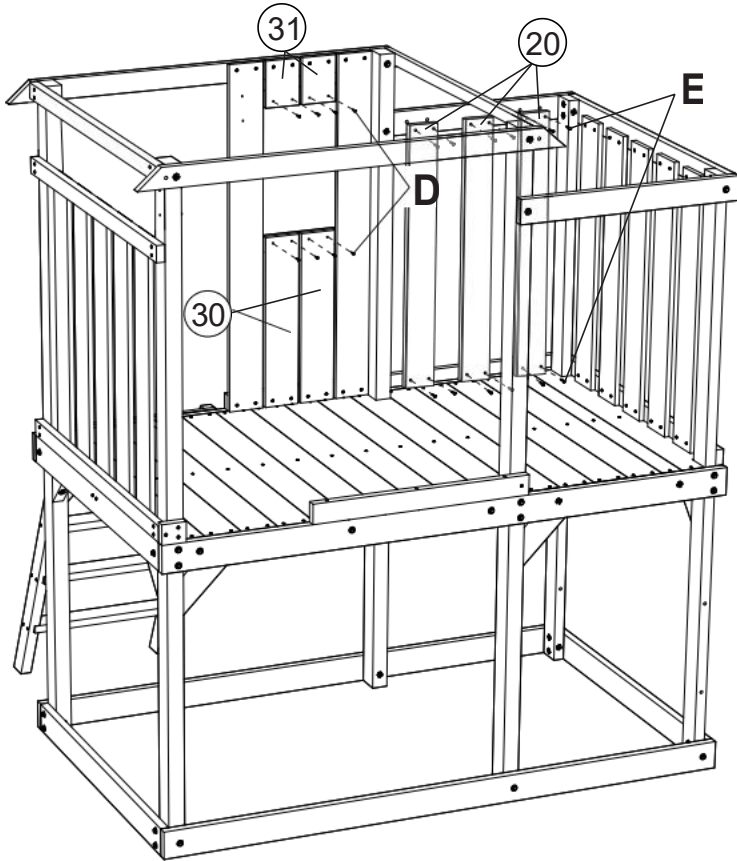
ⓓ x 3

64 h h h D D F 32



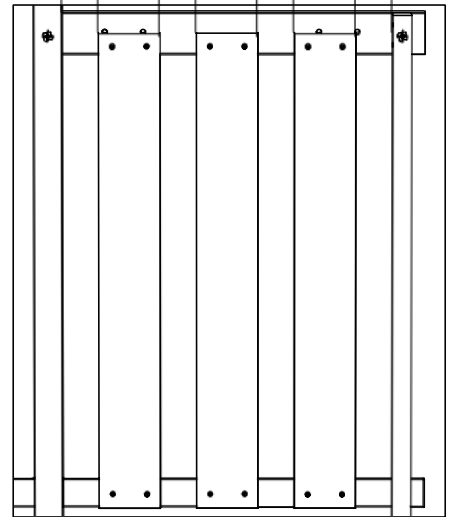
Alinear con la ventana

Step
Étape
Paso
33

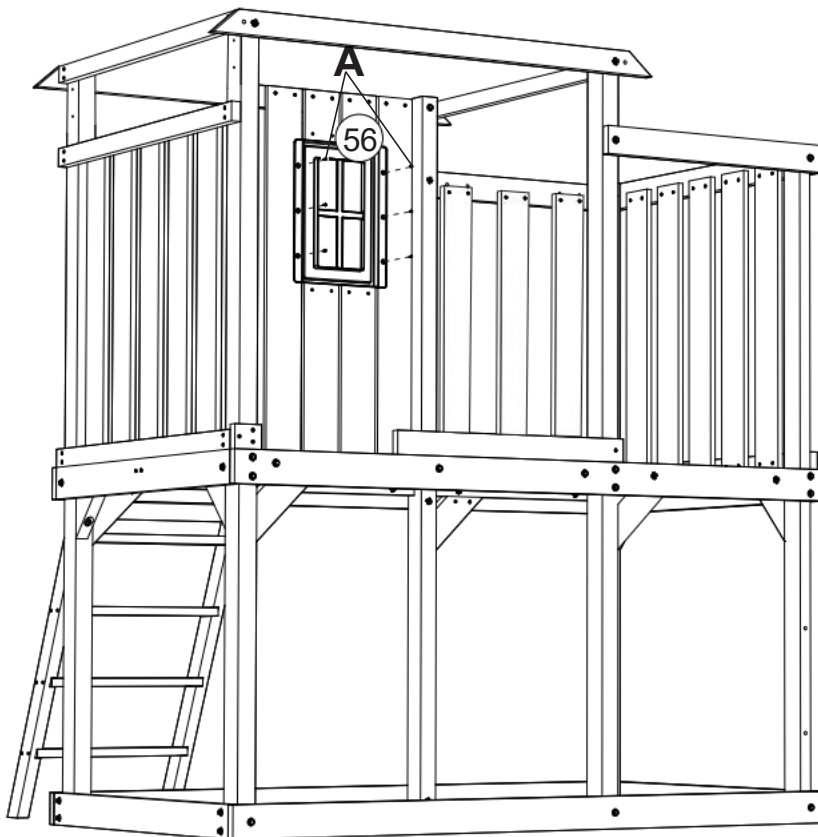


⓪ 20	x 3
⓪ D	x 8
⓪ E	x 12

69.5mm 69.5mm 69.5mm 69.5mm
2.73" 2.73" 2.73" 2.73"

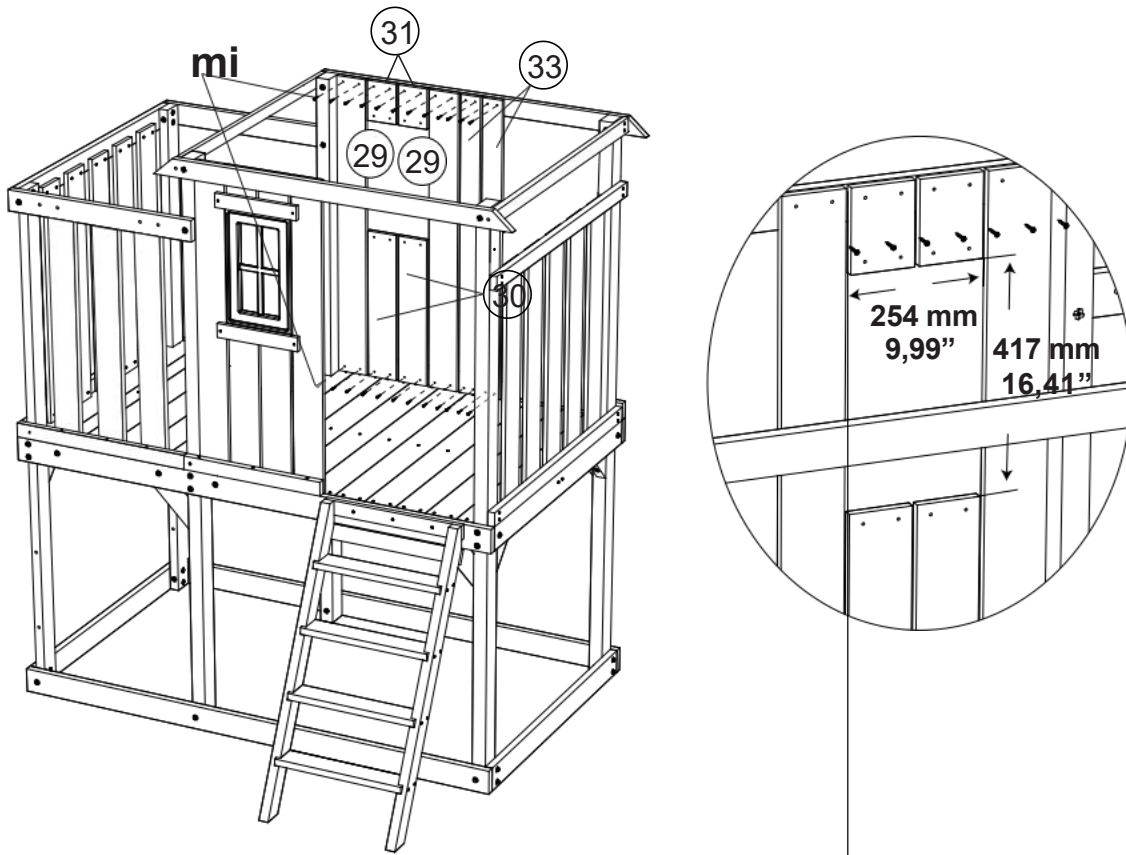


Step
Étape
Paso
34



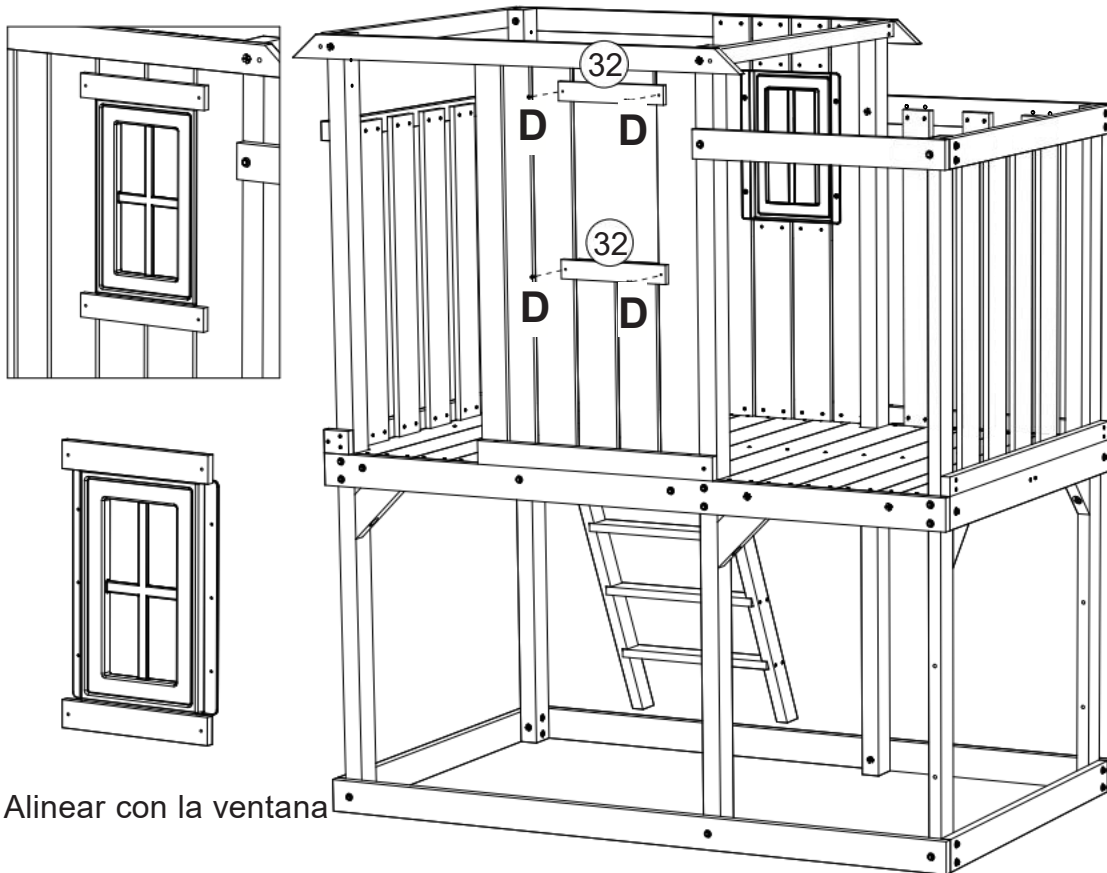
⓪ 56	x 1
⓪ A	x

Step
Étape
Paso
35



- Ⓣ 29 x 2
- Ⓣ 30 x 2
- Ⓣ 31 x 2
- Ⓣ 33 x 2
- Ⓣ E x 24

Step
Étape
Paso
36



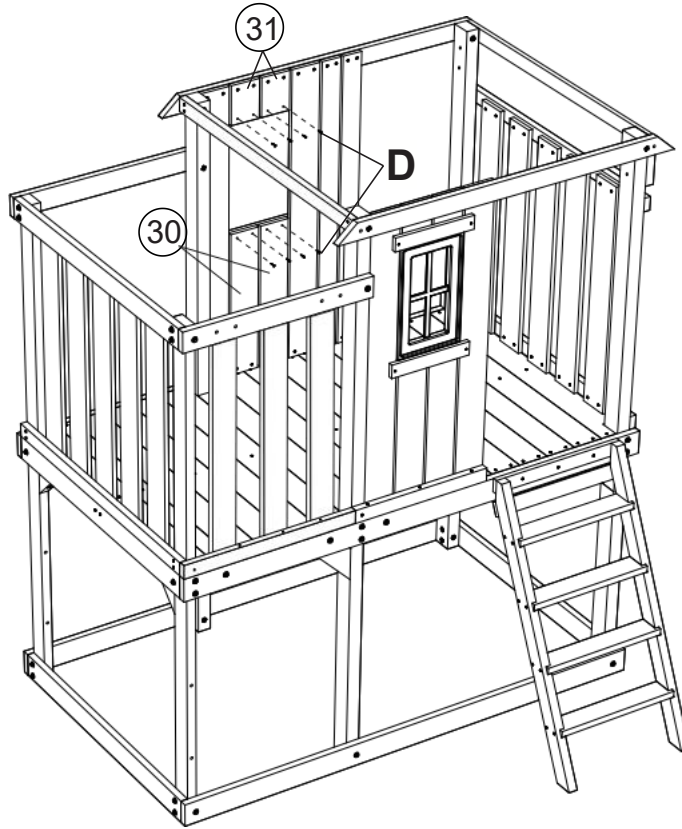
Alinear con la ventana

- Ⓣ 32 x 2
- Ⓣ D x 4

ⓓ x 8

Step
Étape
Paso

37



Ⓜ6 x 1

ⓐ x 6

Step
Étape
Paso

38



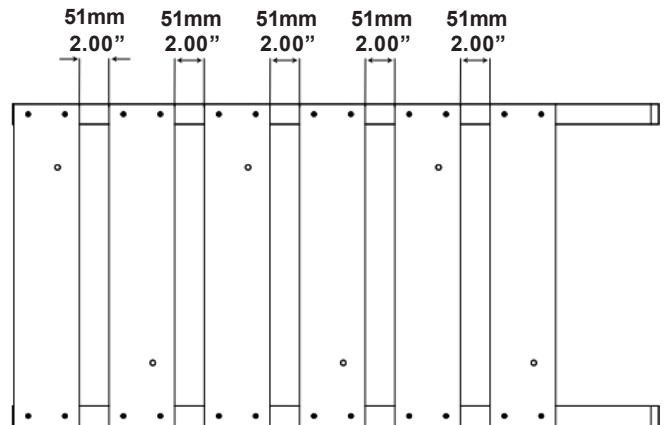
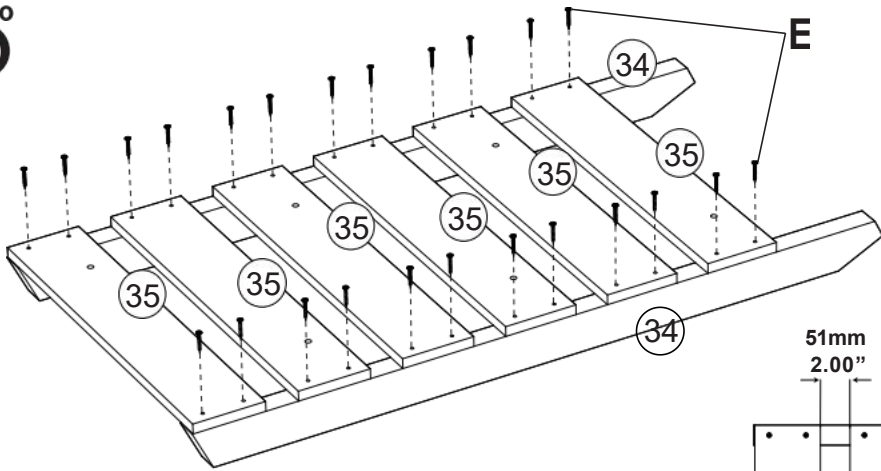
Step
Étape
Paso

39

34 x 2

35 x 6

E x 24

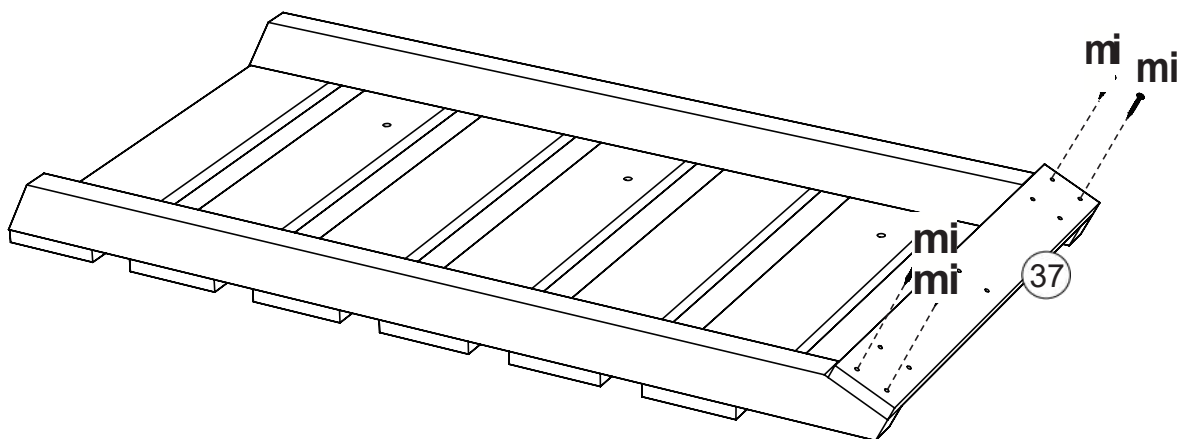


Step
Étape
Paso

40

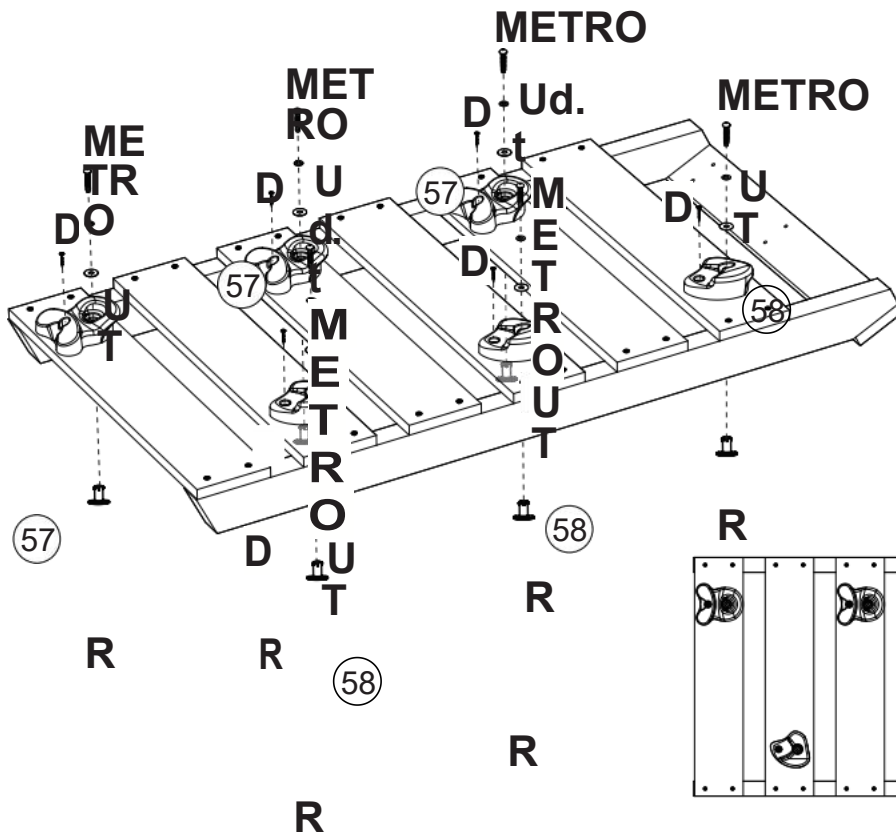
37 x 1

E x 4



Step
Étape
Paso

41



57 x 3

58 x 3

D x 6

M x 6

R x 6

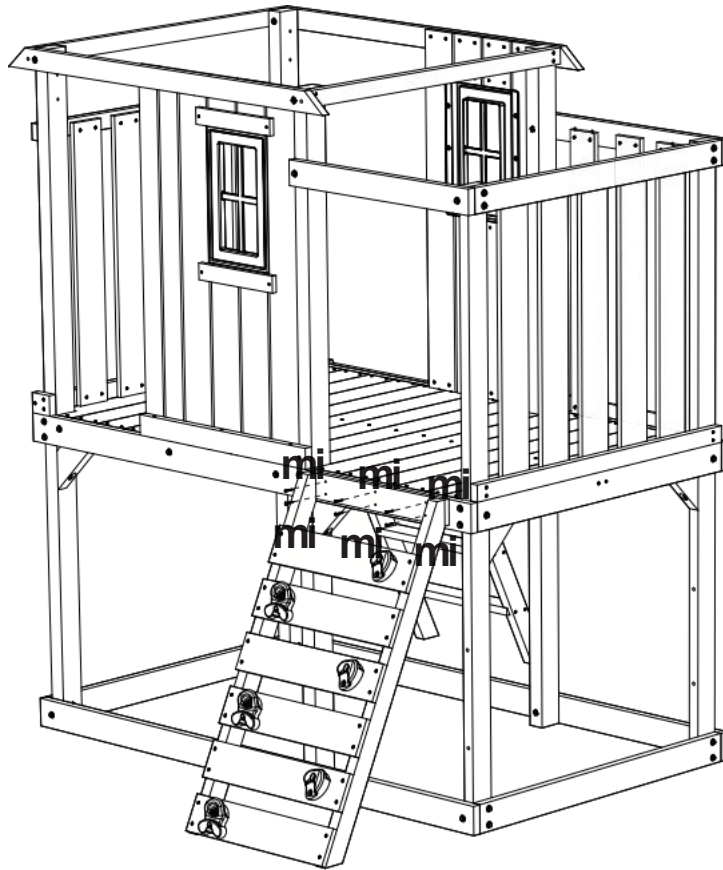
T x 6

U x 6

E x 6

Step
Étape
Paso

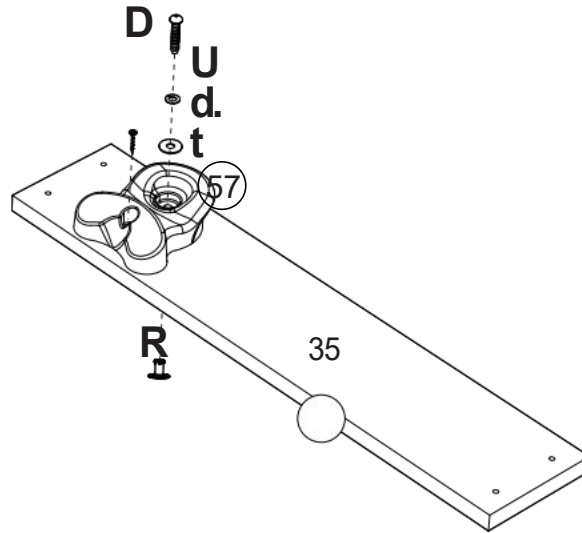
42



Step
Étape
Paso

43

METRO



35 x 1

57 x 1

D x 1

M x 1

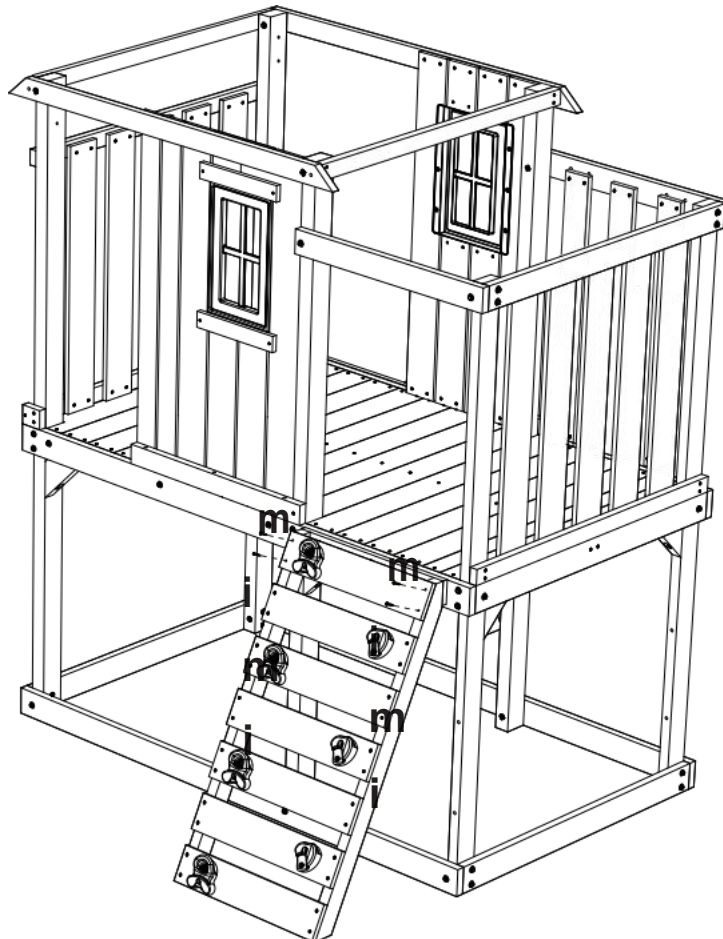
R x 1

T x 1

U x 1

Step
Étape
Paso

44



E x 4

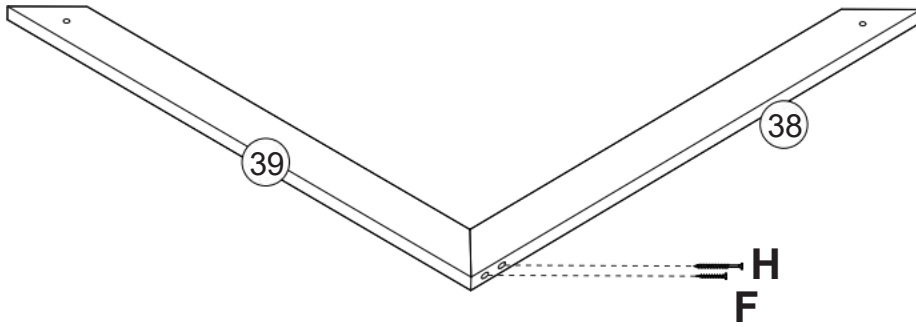
Step
Étape
Paso
45 x 2

38 x 1

39 x 1

F x 1

H x 1

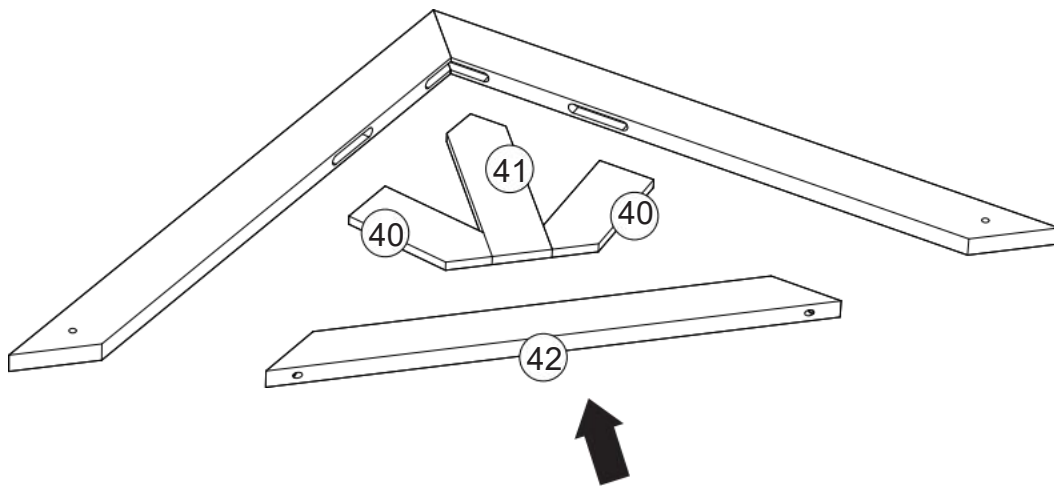


Step
Étape
Paso
46 x 2

40 x 2

41 x 1

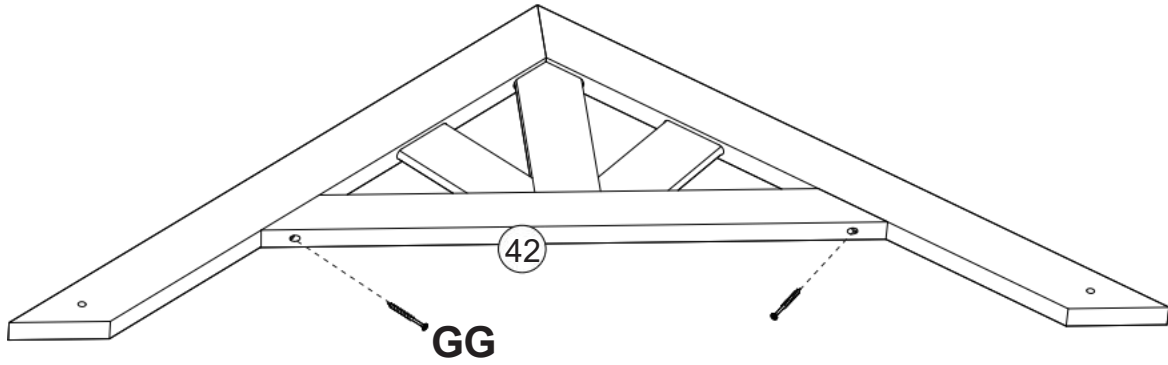
42 x 1



Step
Étape
Paso
47 x 2

42 x 1

G x 2

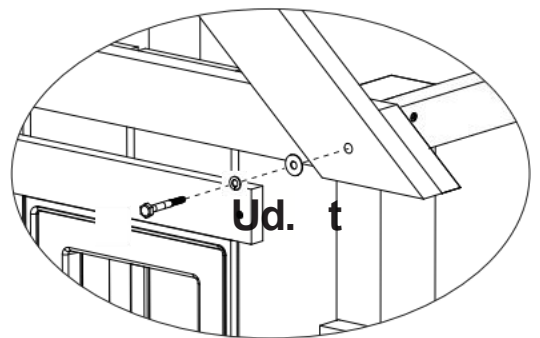
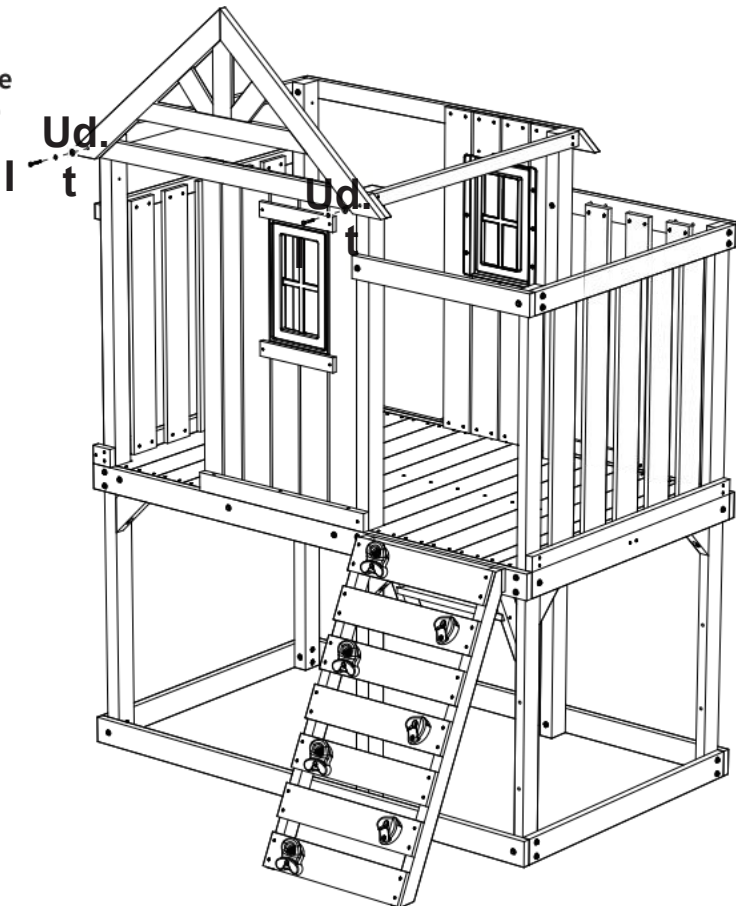


Step
Étape
Paso
48

I x 2

T x 2

U x 2



Step
Étape
Paso

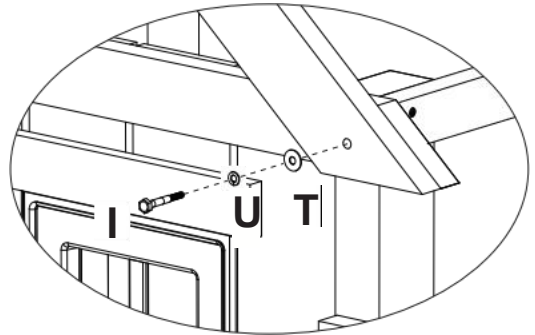
49



ⓐ x 2

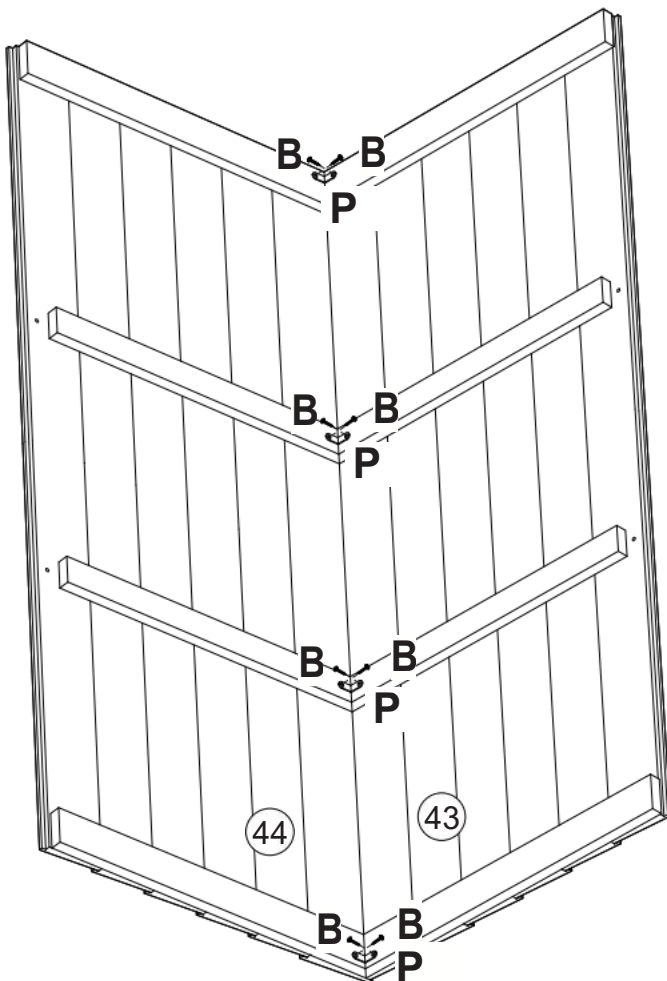
ⓑ x 2

ⓒ x 2



Step
Étape
Paso

50

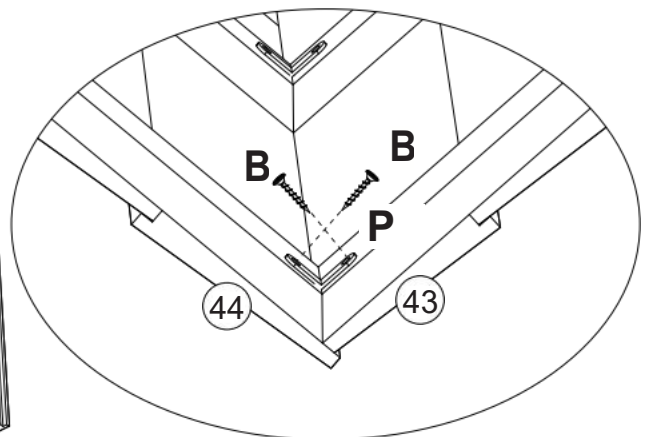


Ⓓ x 1

Ⓔ x 1

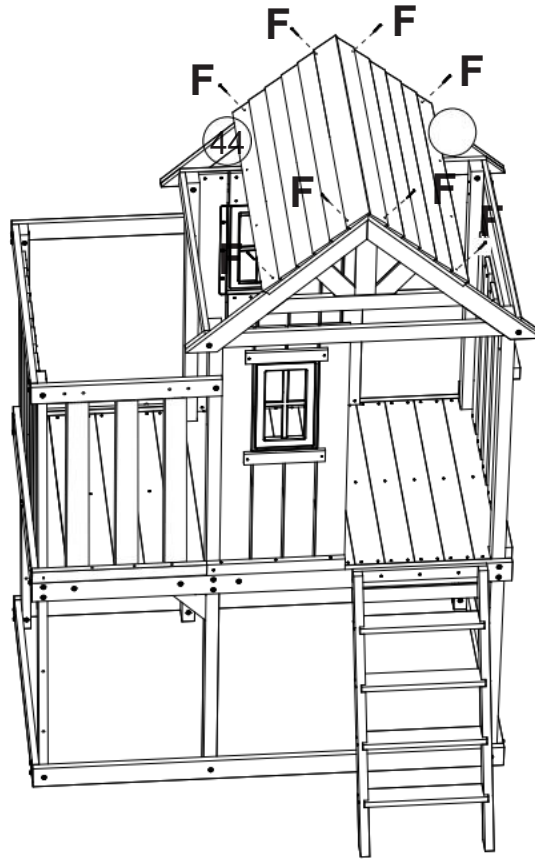
Ⓕ x 8

Ⓖ x 4



Step
Étape
Paso

51



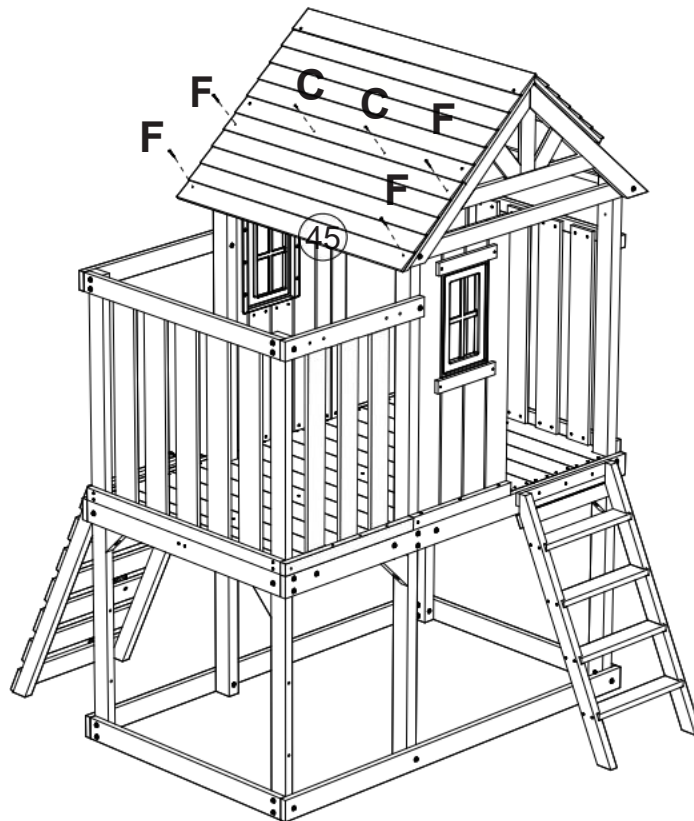
43 x 1

44 x 1

F x 8

Step
Étape
Paso

52



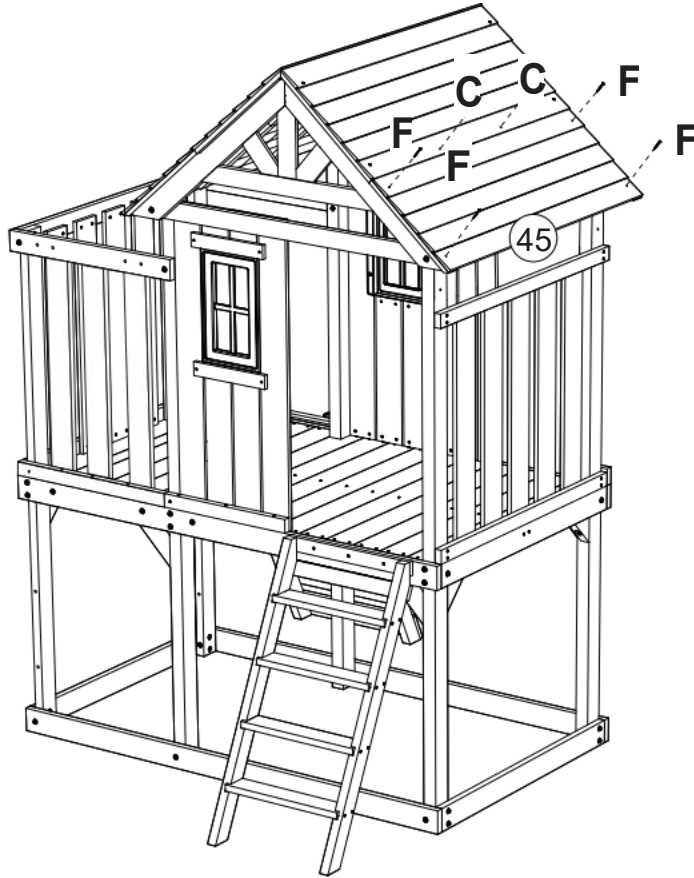
45 x 1

C x 2

F x 4

Step
Étape
Paso

53



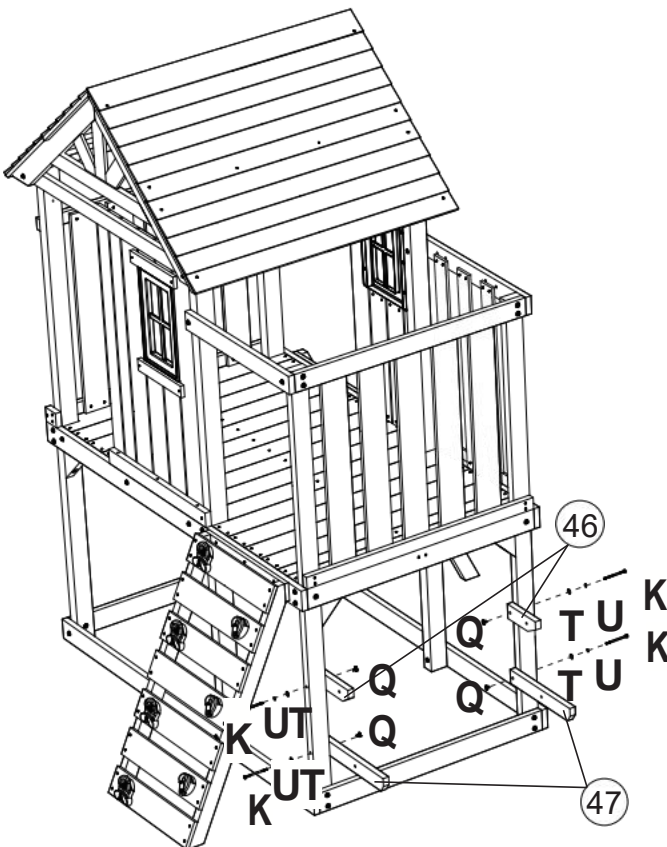
45 x 1

C x 2

F x 4

Step
Étape
Paso

54



46 x 2

47 x 2

K x 4

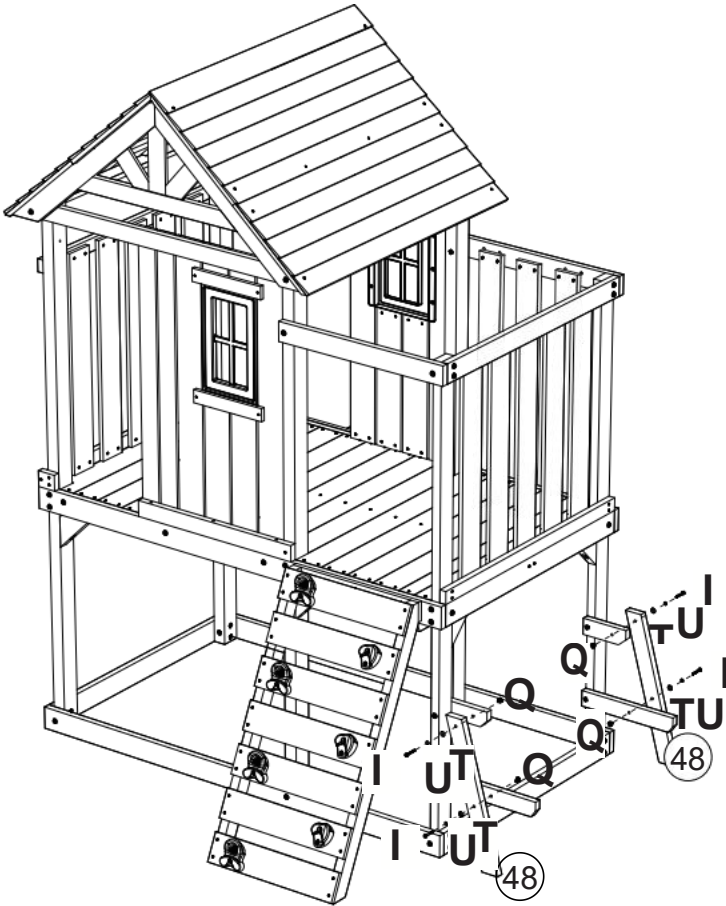
Q x 4

T x 4

U x 4

Step
Étape
Paso

55



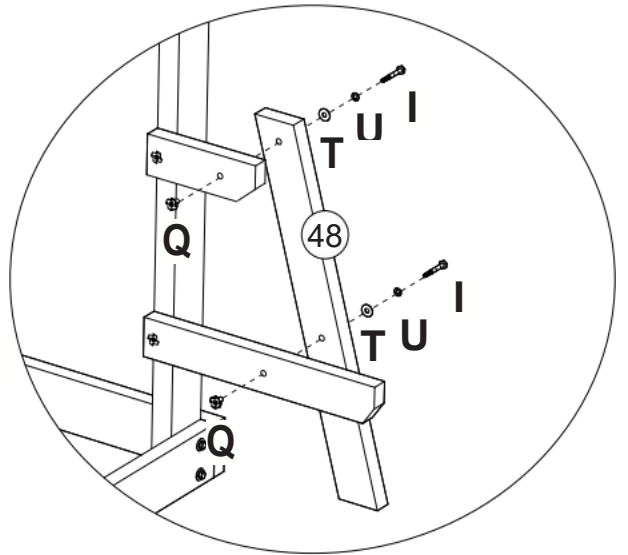
48 x 2

I x 4

Q x 4

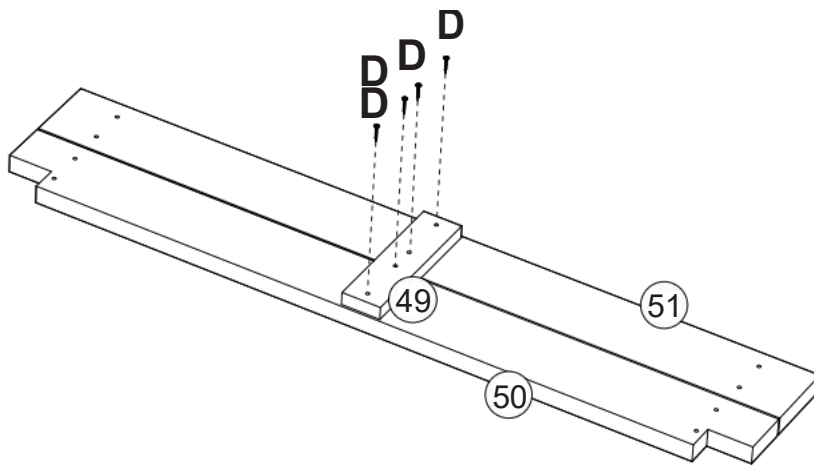
T x 4

U x 4



Step
Étape
Paso

56



49 x 1

50 x 1

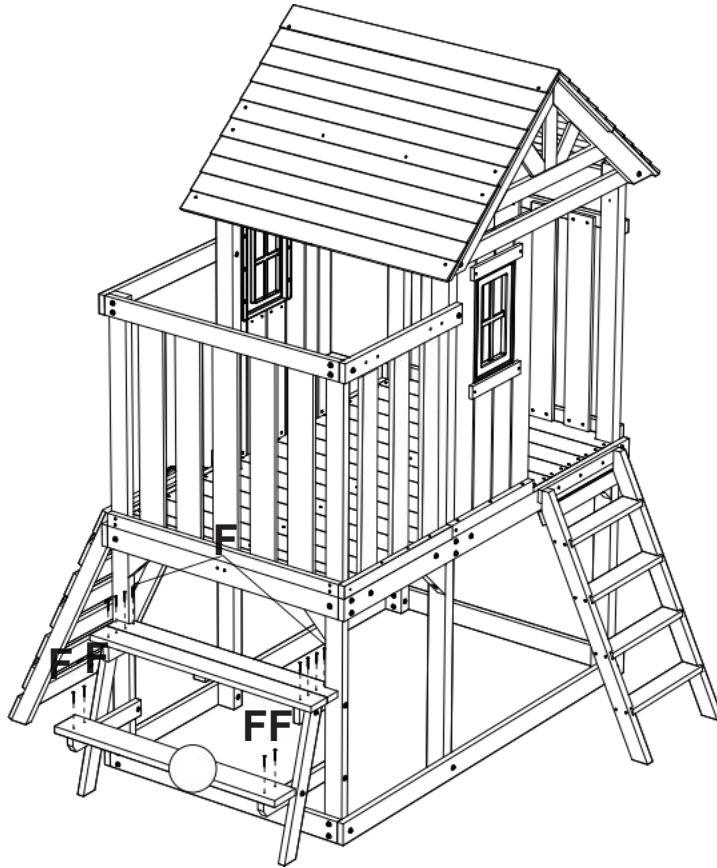
51 x 1

D x 4



Step
Étape
Paso

57

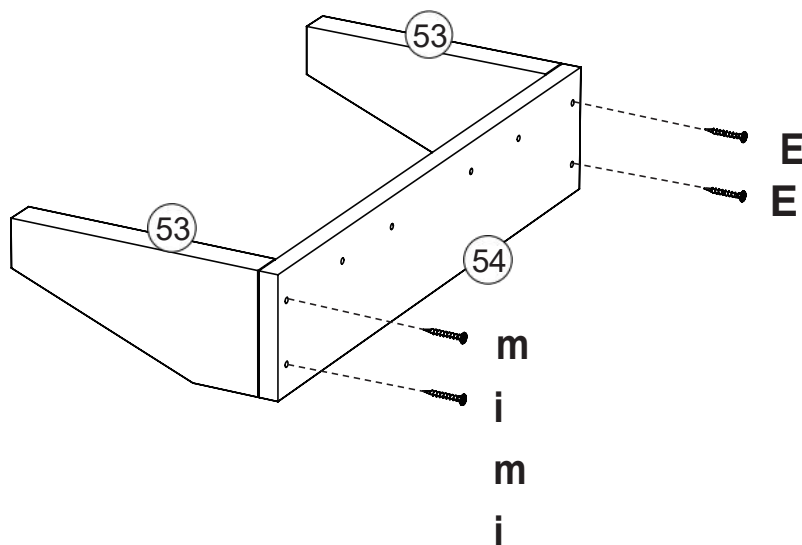


52 x 1

F x 12

Step
Étape
Paso

58



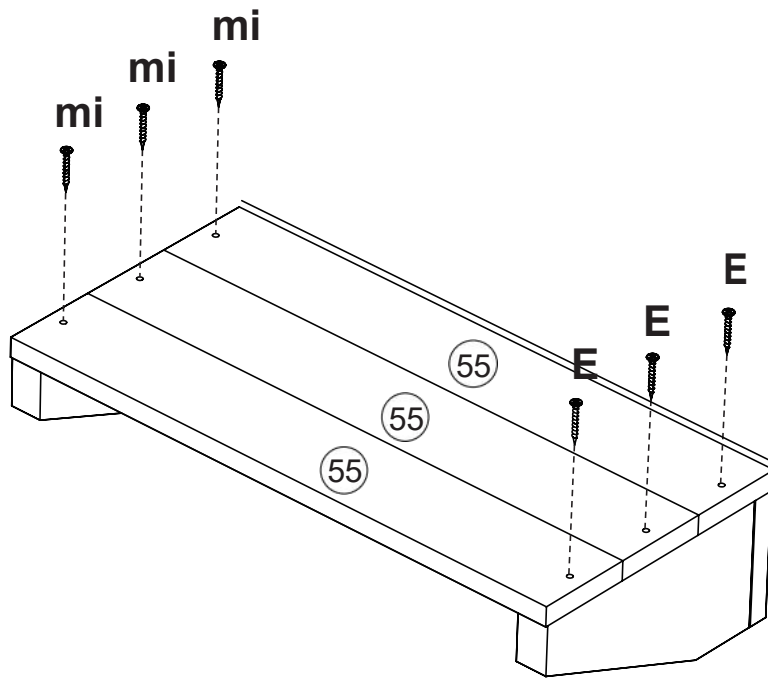
53 x 2

54 x 1

E x 4

Step
Étape
Paso

59

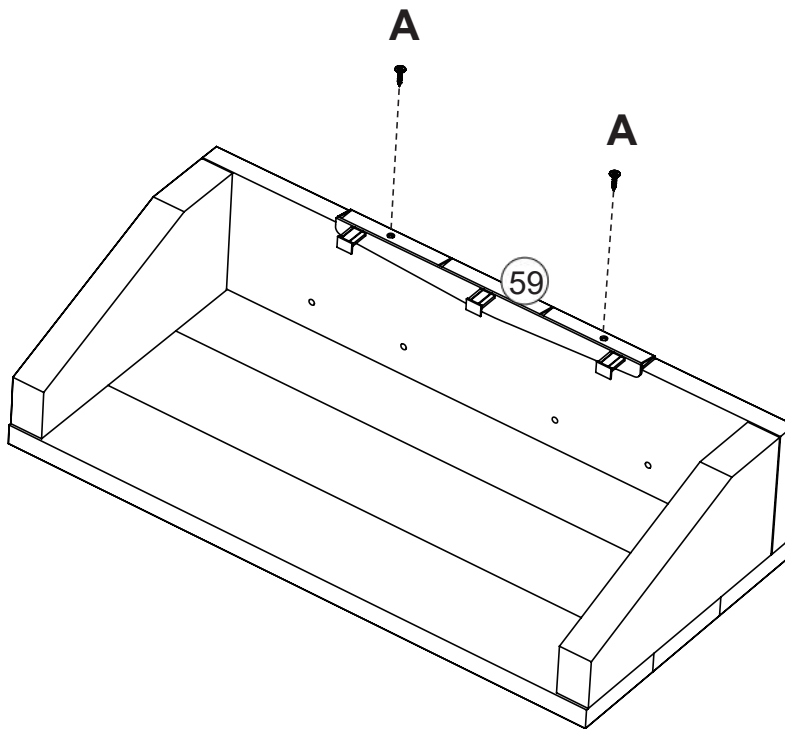


55 x 3

E x 6

Step
Étape
Paso

60



59 x 1

A x 2

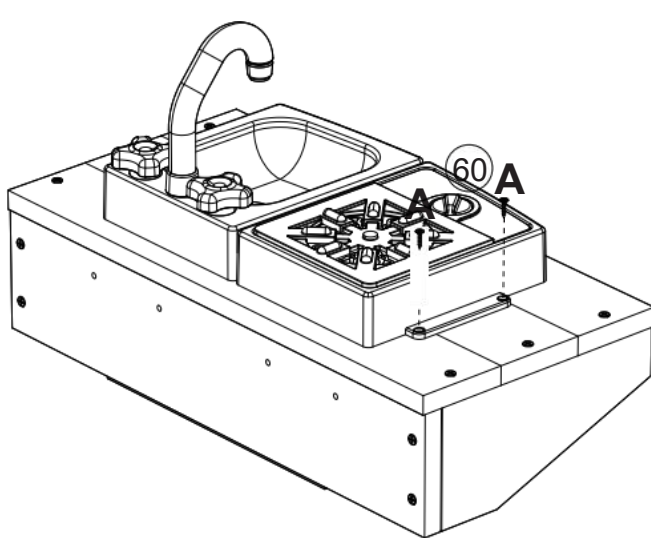
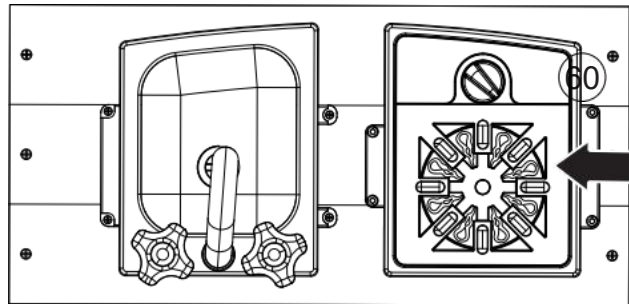
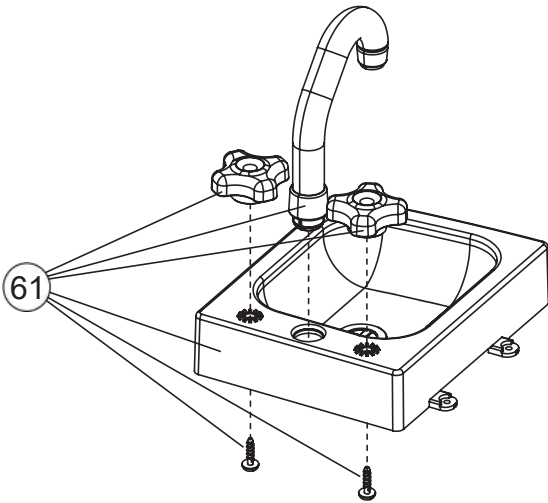
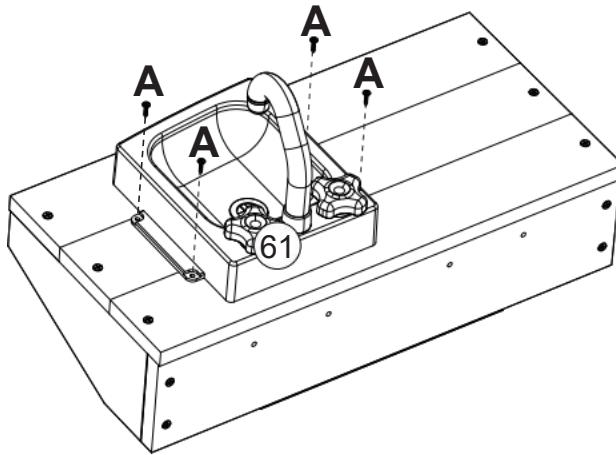
Step
Étape
Paso

61

60 x 1

61 x 1

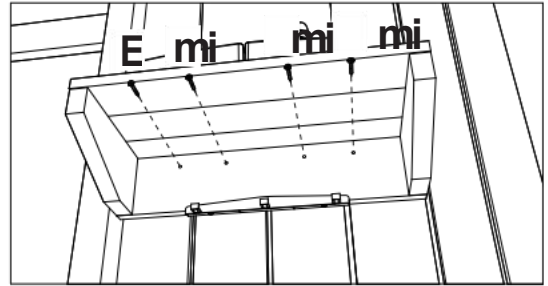
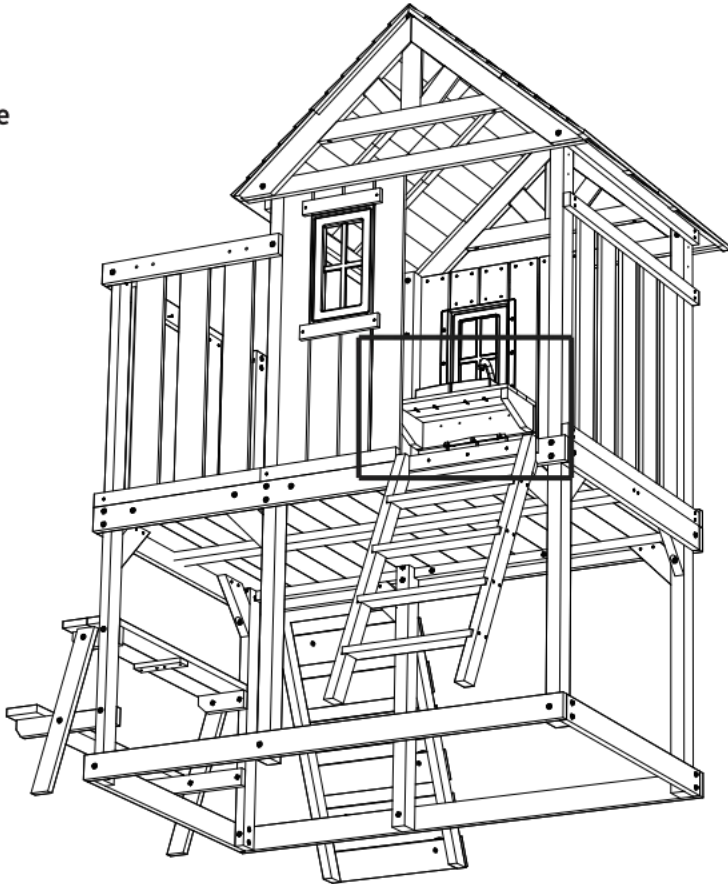
A x 6



Step
Étape
Paso

62

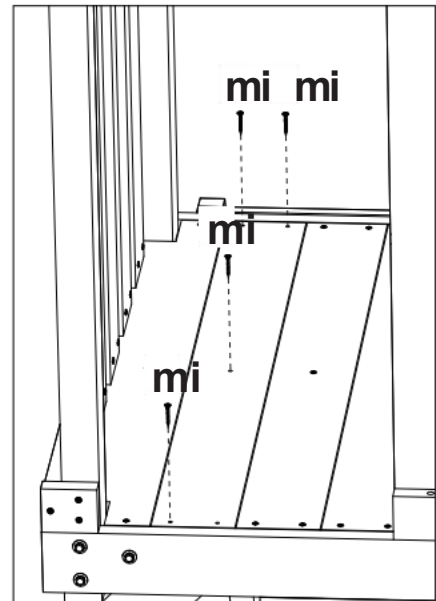
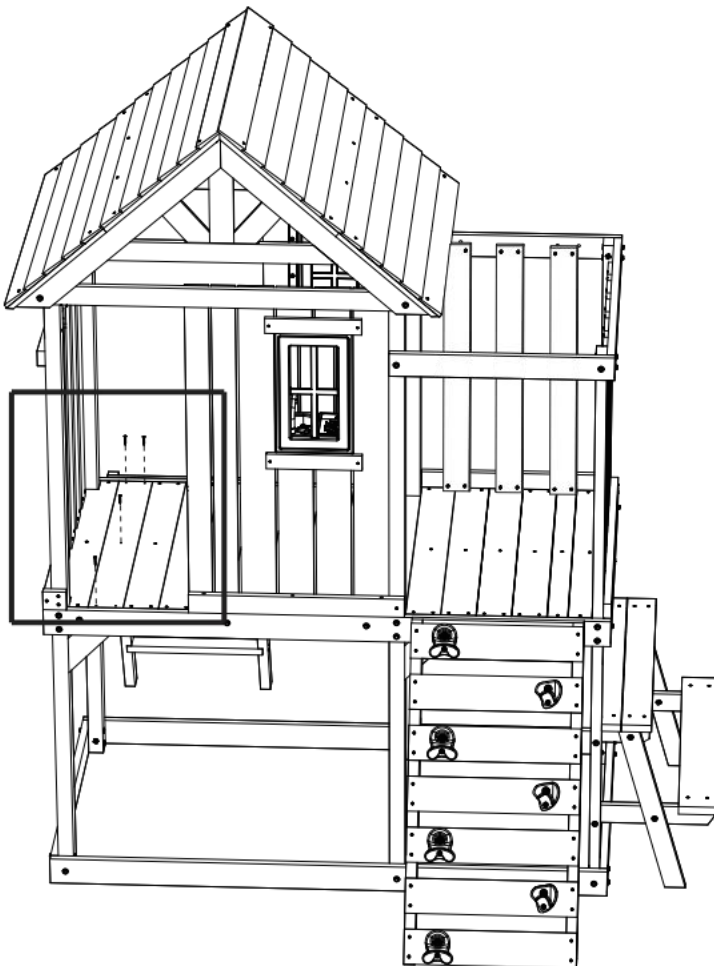
mi x 4



Step
Étape
Paso

63

mi x 4



Step
Étape
Paso

64



62 x 1

F x 2

S x 2

Step
Étape
Paso

ses

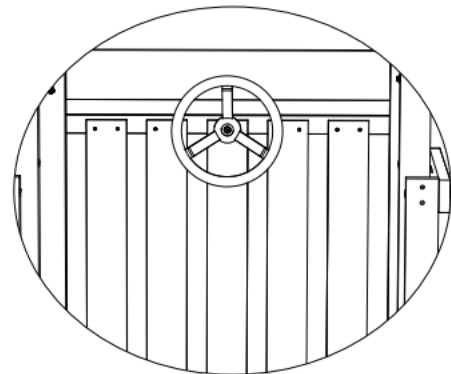
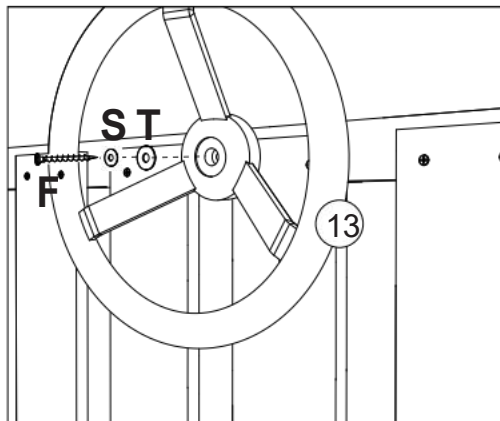


13 x 1

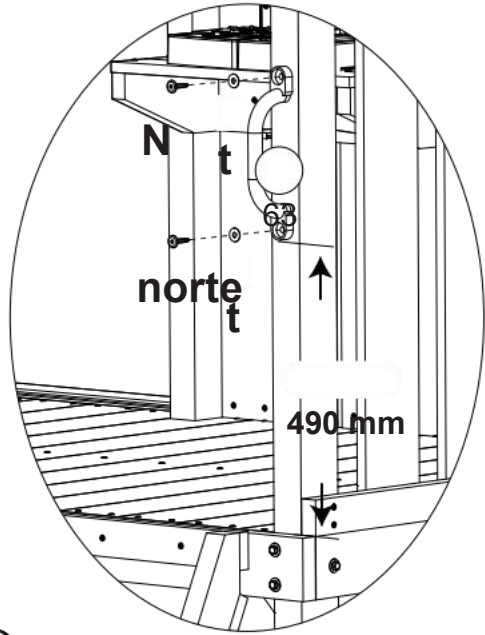
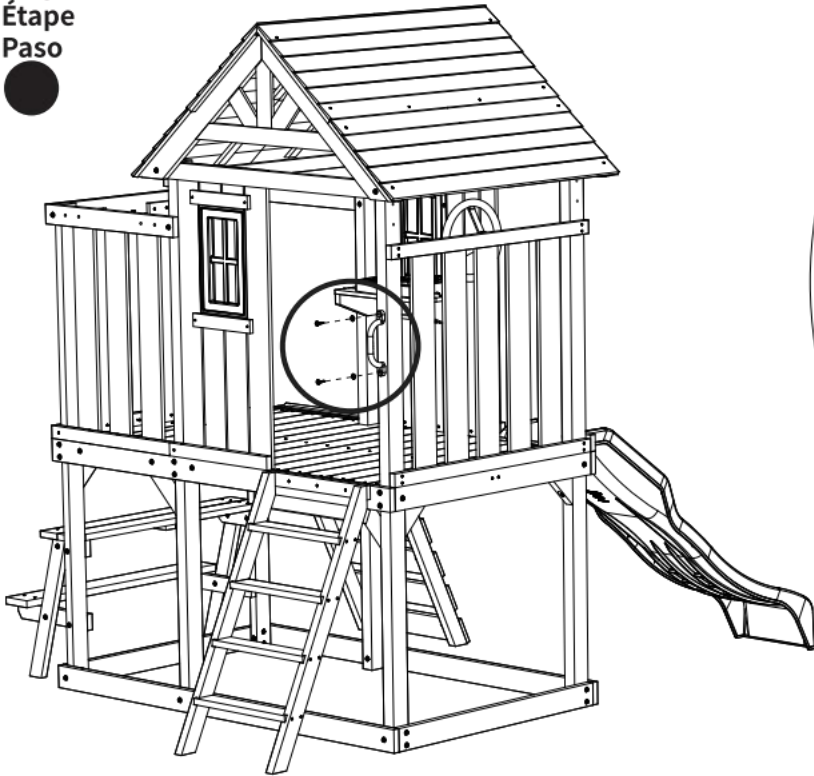
F x 1

S x 1

T x 1



Step
Étape
Paso



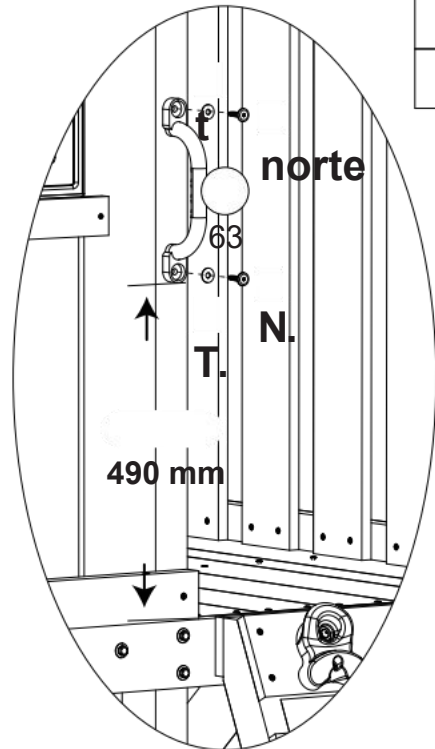
63x

1 norte

x 2

t x 2

Step
Étape
Paso



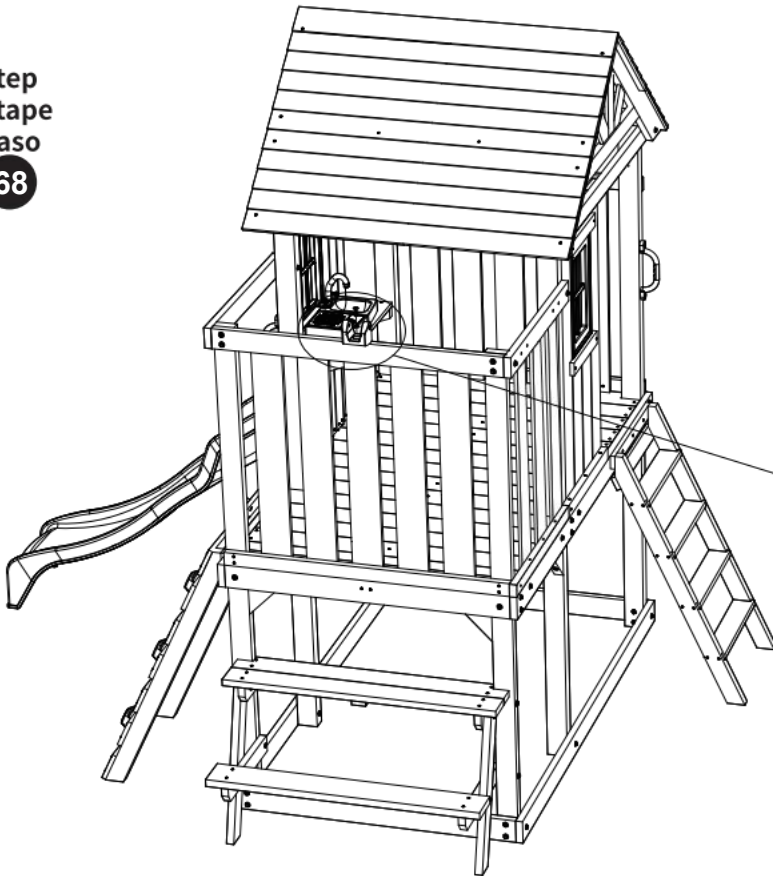
63 x 1

N x 2

T x 2

Step
Étape
Paso

68



65 x 1

F x 1

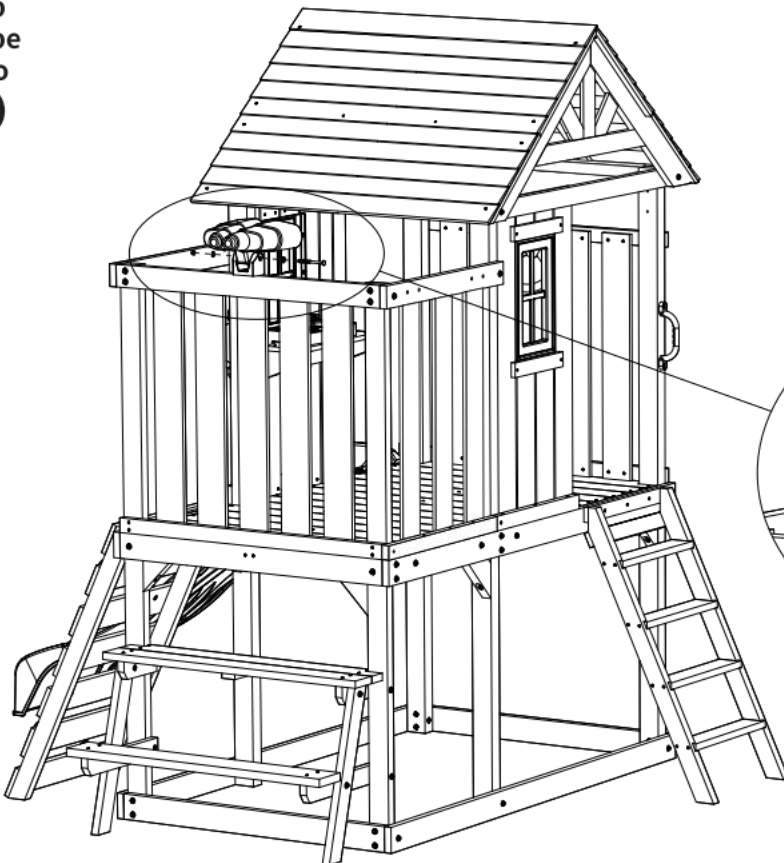
S x 1

T x 1

sesenta y cinco

Step
Étape
Paso

69



sesenta y
cinco x 1

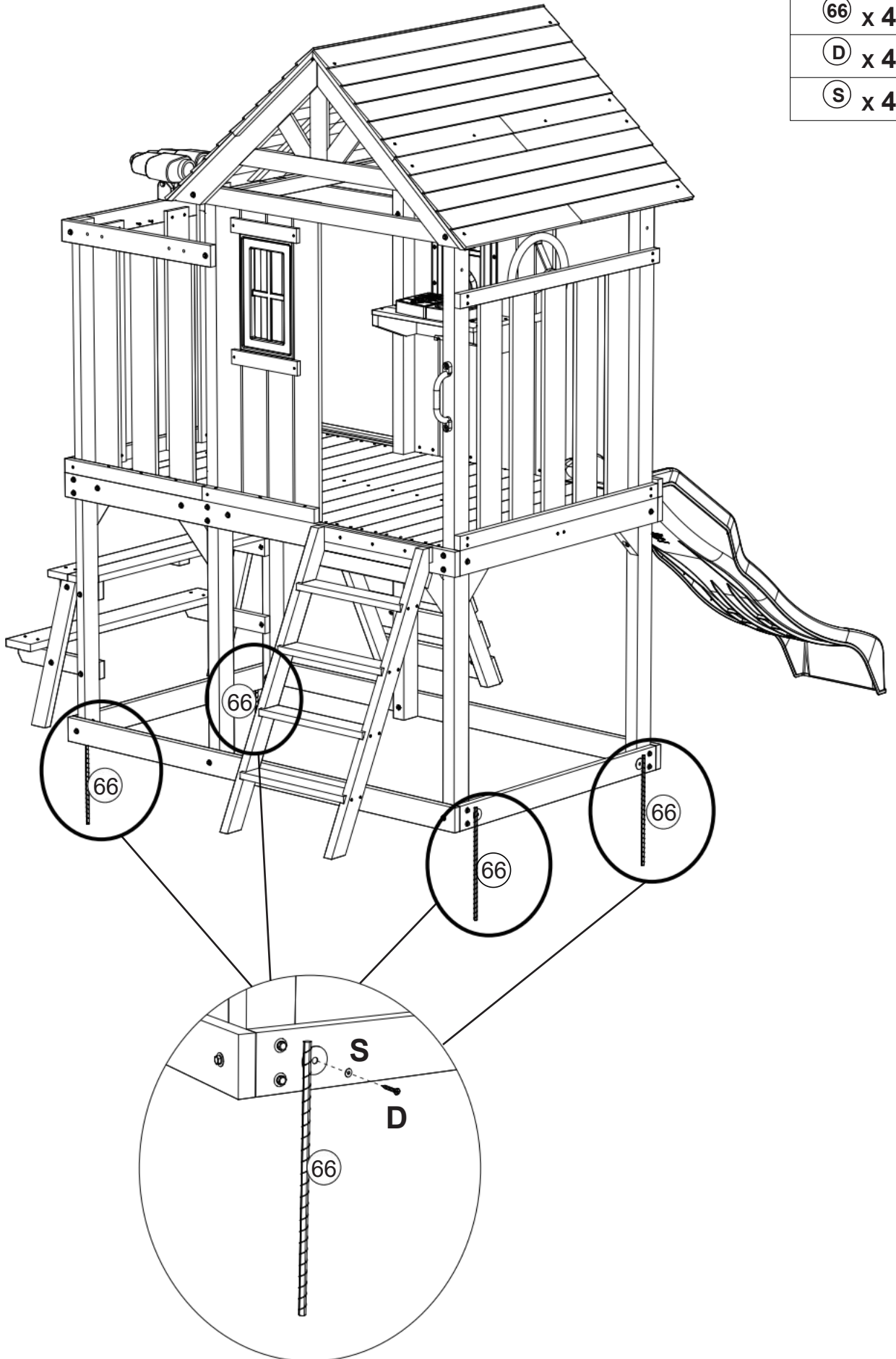
sesenta y cinco

Step
Étape
Paso
70

66 x 4

D x 4

S x 4



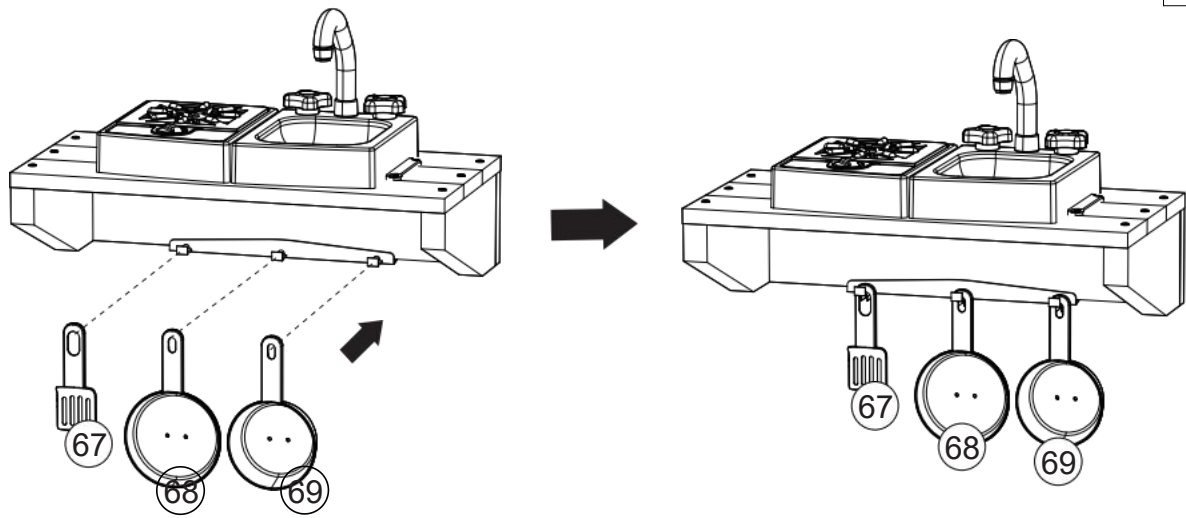
Step
Étape
Paso

71

67 x 1

68 x 1

69 x 1



MAINTENANCE

1. Clean and disinfect your product frequently to keep it clean and hygienic.
2. Check the reliability of the parts before use.

Manufacturer: Heze Jingran Woodware Co., Ltd.

Address: Zhuangzhai Town Industrial Park, Cao County, Shandong Province

EC REP: E-CrossStu GmbH.

Mainzer Landstr.69, 60329 Frankfurt am Main.

UK REP: YH CONSULTING LIMITED.

C/O YH Consulting Limited Office 147, Centurion House, London Road, Staines-upon-Thames, Surrey, TW18 4AX

Imported to AUS: SIHAO PTY LTD.

1 ROKEVA STREETEASTWOOD NSW 2122 Australia

Imported to USA: Sanven Technology Ltd.

Suite 250, 9166 Anaheim Place, Rancho Cucamonga, CA 91730

VEVOR[®]

HERRAMIENTAS DURAS, MEDIA PRECIO

**Soporte Técnico y Certificado de garantía
electrónica www.vevor.com/support**

VEVOR^R

TOUGH TOOLS. HALF PRICE

Supporto tecnico e Certificato di garanzia elettronico

www.vevor.com/support

CABINA CASA DEI

GIOCHI

MODELLO:TLG9200

8

Continuiamo a impegnarci per fornirti utensili con competitivo prezzo.

"Salva Metà", "Metà Prezzo" o qualsiasi altra espressione simile usato da solo noi rappresenta UN stima del risparmio che potresti trarre dall'acquisto certo utensili con noi rispetto A IL maggiore

superiore marchi e fa non significa necessariamente coprire tutto categorie di strumenti
offerto di noi.Tu

Sono cortesemente ricordato di verificare attentamente quando lo sei effettuando un
ordine con noi se sei

effettivamente risparmiando metà in confronto con la massima
specializzazione Marche.

VEVOR^R

TOUGH TOOLS, HALF PRICE

CABIN PLAYHOUSE

MODELLO: TLG92008



NEED HELP? CONTACT US!

Avere domande sul prodotto? Hai bisogno di assistenza tecnica supporto? Per favore Tasto gratuito A contatto noi:

Tecnico Supporto E Garanzia elettronica
Certificato www.vevor.com/support

Questo sono le istruzioni originali, per favore Leggere Tutto Manuale Istruzioni

attentamente prima di operare. VEVOR si riserva un chiaro interpretazione Di Nostro manuale utente. L'aspetto del Prodotto deve Essere soggetto A IL prodotto che hai ricevuto. Ti preghiamo di perdonarci se non lo faremo far sapere Voi Ancora Se ci sono alcuni tecnologia 0 Software

aggiornamenti SU Nostro Prodotto.

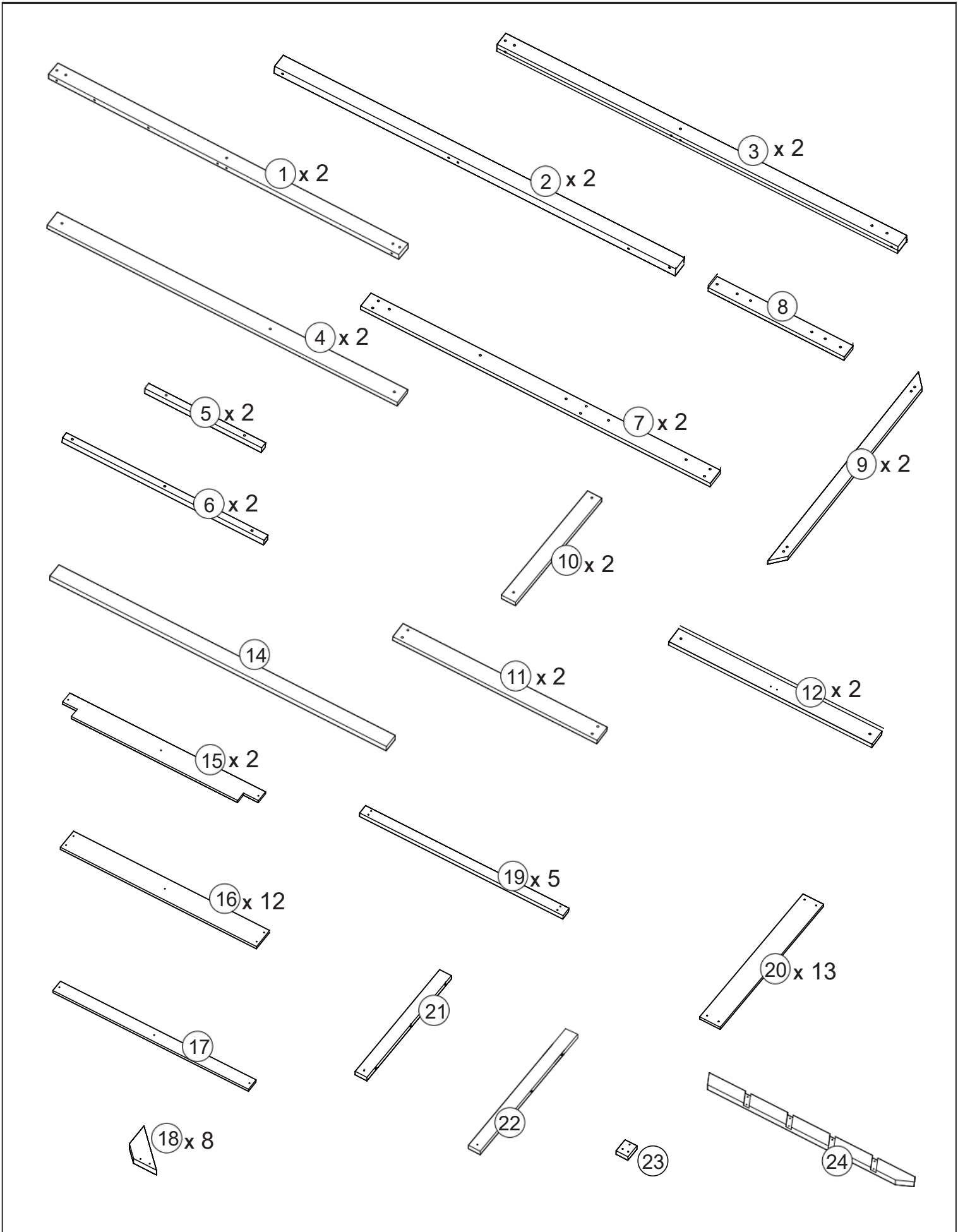
SAFETY INSTRUCTIONS

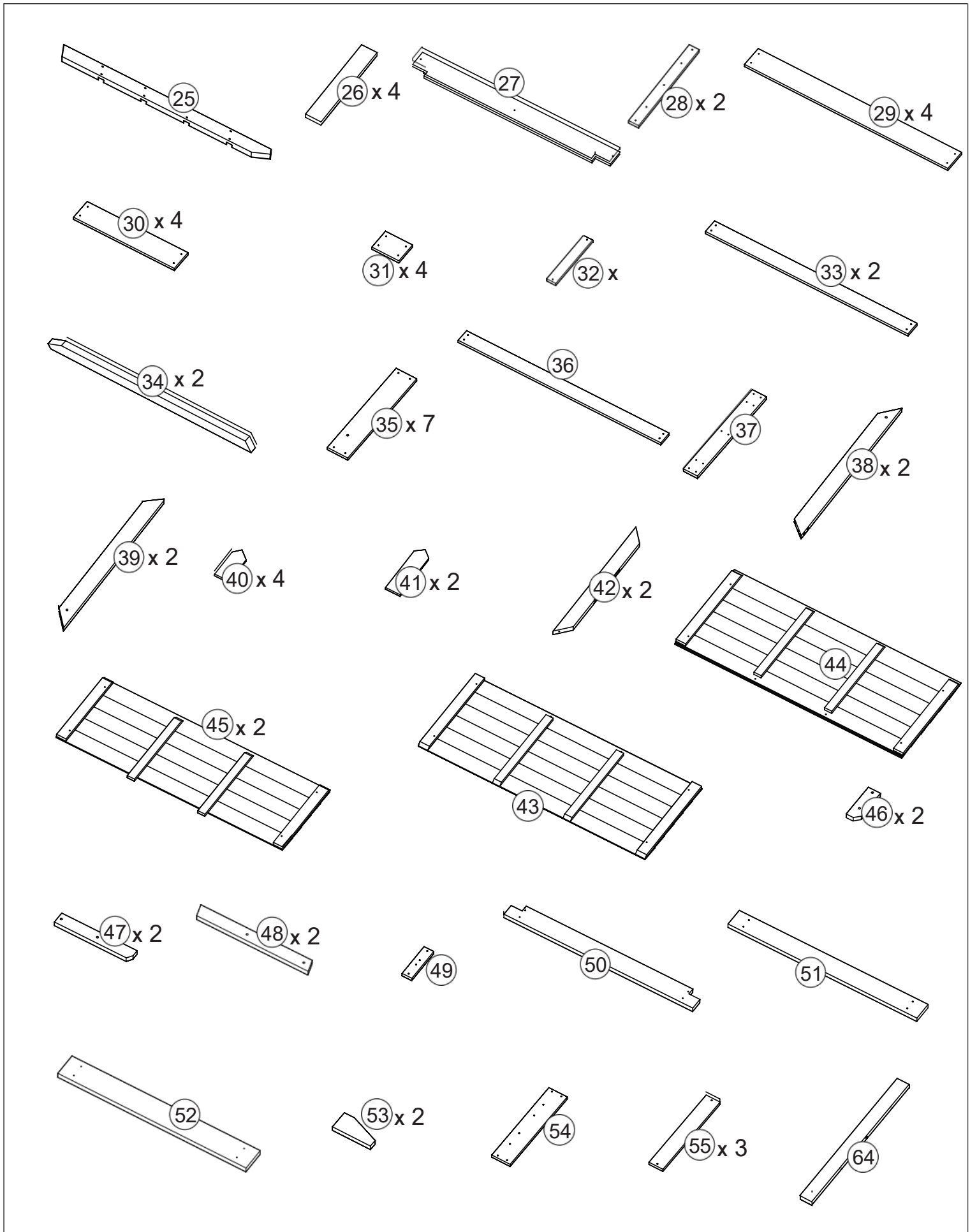
WARNING:

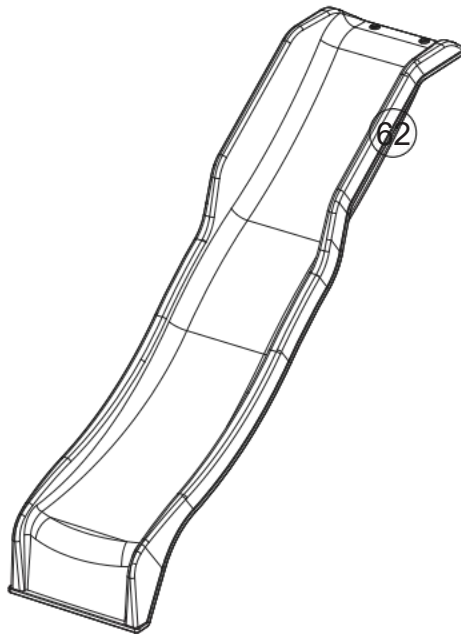
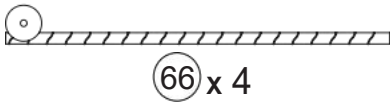
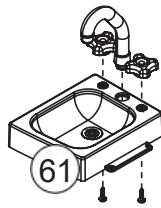
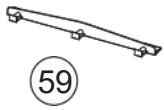
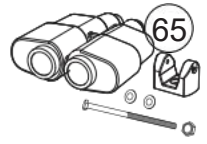
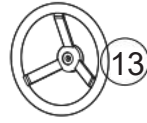
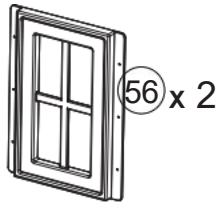
1. This manual lists the contents included in the box. Please take time to identify the hardware as well as the individual components of the product.
2. As you unpack and prepare for assembly, place the contents on a carpeted or padded area to protect them from damage.
3. Small parts present in unassembled state. It's a choking hazard!
4. Please follow the assembly instructions closely. Improper assembly can result in personal or property damage.
5. Assembled by an adult. In the process of play, parents should always accompany the children's side.
6. Do not install it in a dark, damp place.
7. Put it in a place with good ventilation.
8. Clean and disinfect your product frequently to keep it clean and hygienic.
9. Do not overload.









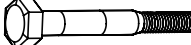
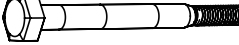
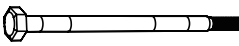
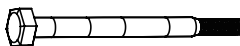

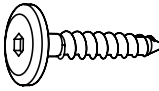
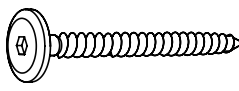

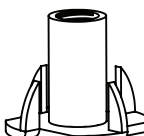
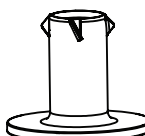
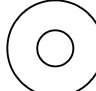
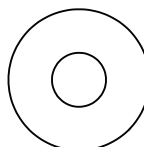
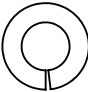
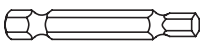
MODEL AND PARAMETERS

Model	TLG92008
Age of application	3-10 age
Product Size	2320*3100*2690 mm
Material	Wood







A	x 20	B	x 8	C	x 4	D	x 39	E	x 222
									
15 mm		20 mm		20 mm		25 mm		35 mm	
F	x 76	G	x 20	H	x 15	IO	x 8	J	x 20
									
45 mm		60 mm		70 mm		H2		H3	
K	x 30	I	x 6	M	x 7	N	x 4	O	x 8
									
H4		H12		PB2		WL3		WL5	
P	x 4	Q	x 64	R	x 7	S	x 24	T	x 85
									
		TN1		BN1		FW3		FW1	
U	x 71	x 1							
									
LW1		D6							

Cleaning and Care:

Clean surfaces with a dry or damp soft cloth. Do not use abrasive cleaners.

Nettoyage et Entretien:

Nettoyer les surfaces avec un chiffon doux, sec ou humide. Ne pas utiliser de nettoyeurs abrasifs.

Limpieza y Cuidado:

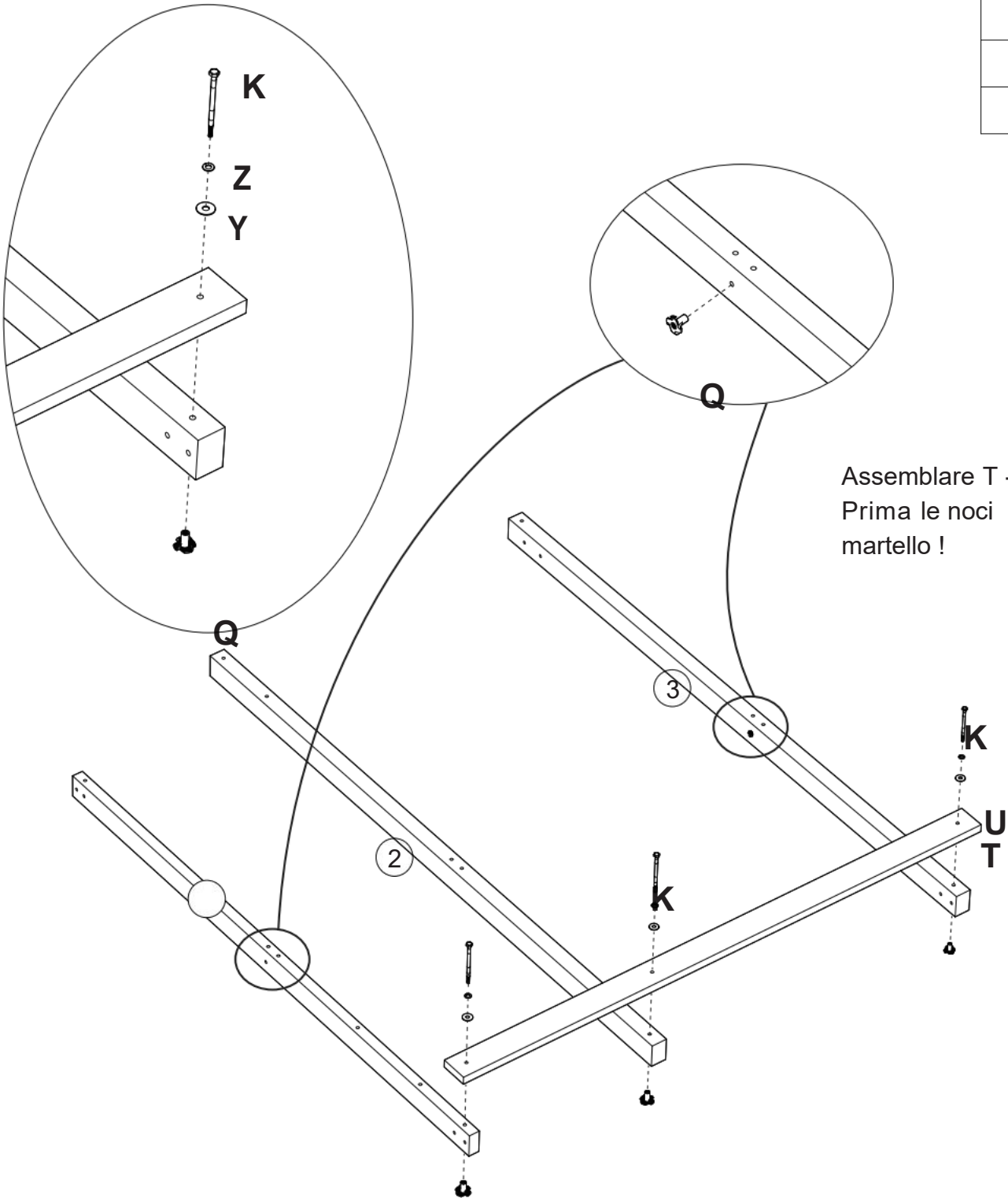
Limpie las superficies con un paño suave seco o húmedo. No use limpiadores abrasivos.

Step
Étape
Paso

1



- ① x 1
- ② x 1
- ③ x 1
- ④ x 1
- Ⓚ x 3
- Ⓚ x 5
- Ⓣ x 3
- Ⓤ x 3



Assemblare T -
Prima le noci
martello !

1

K

U
T

④

Q

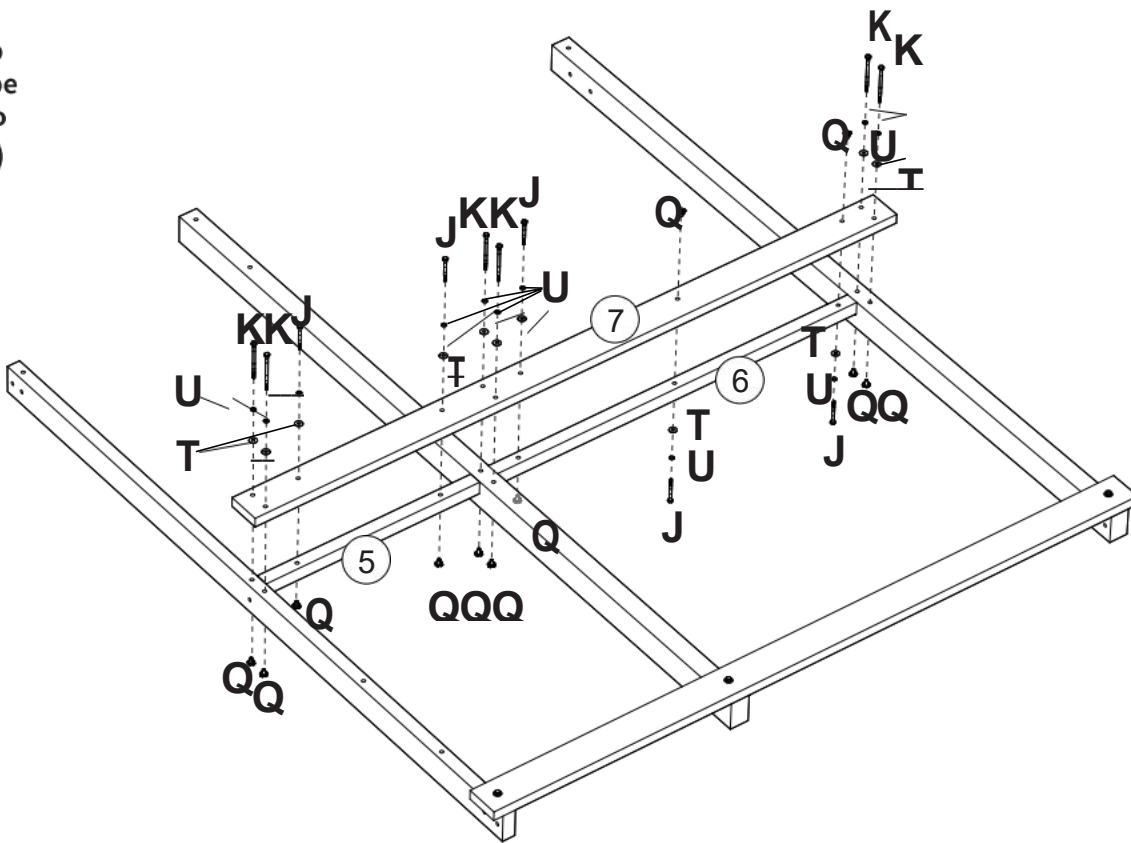
U
T

Q

Q

Step
Étape
Paso

2



⑤ x 1

⑥ x 1

⑦ x 1

Ⓚ x 6

Ⓝ x 5

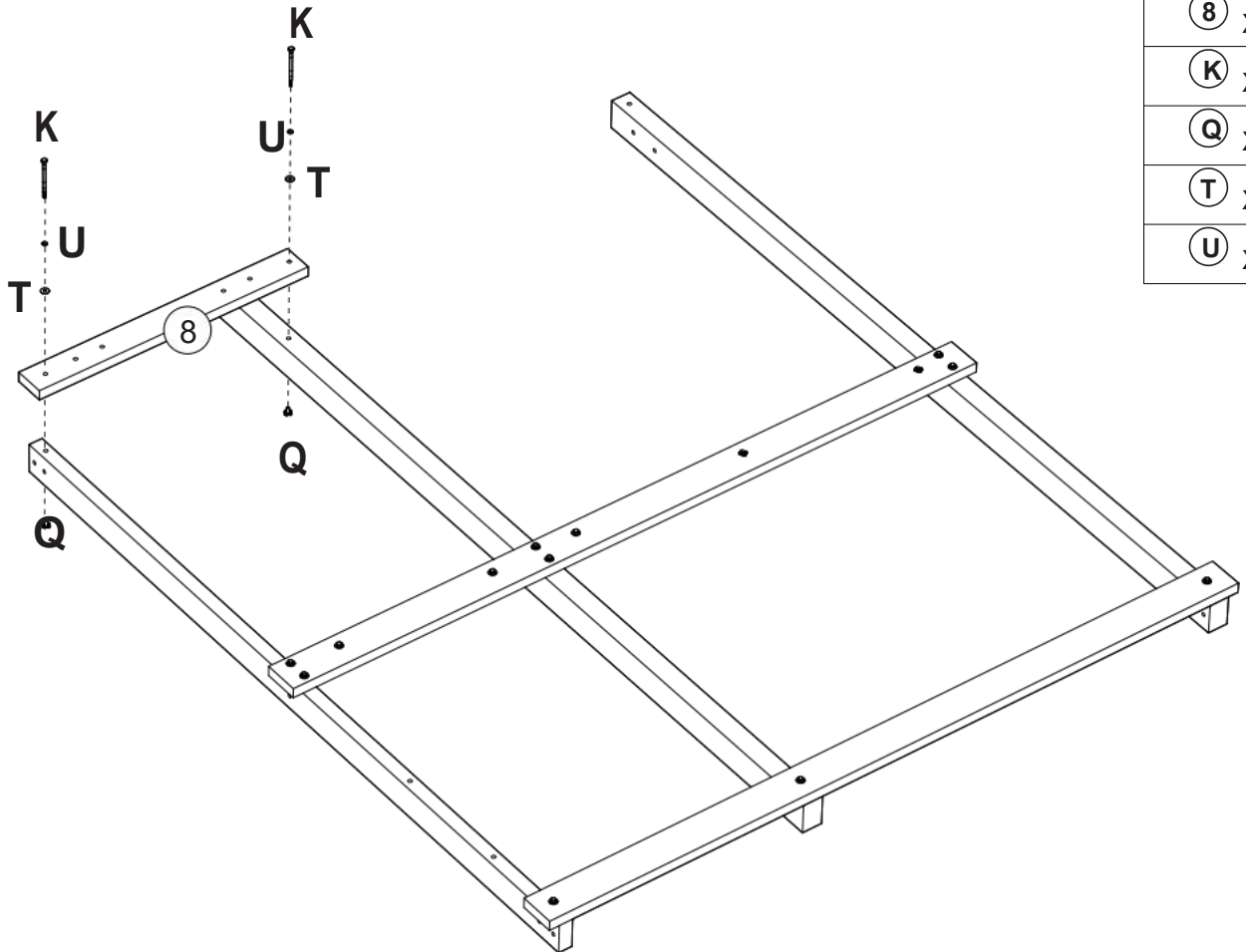
Ⓠ x 11

Ⓣ x 11

Ⓤ x 11

Step
Étape
Paso

3



⑧ x 1

Ⓚ x 2

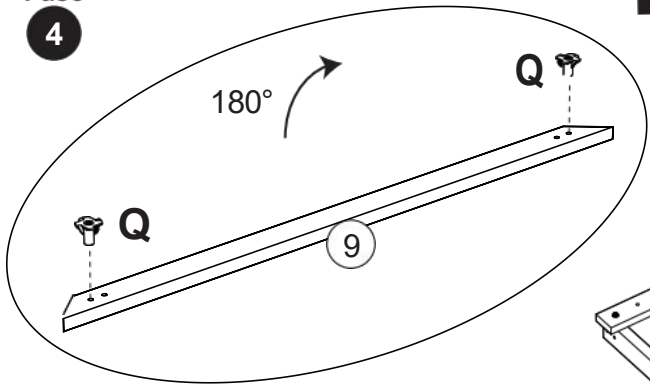
Ⓠ x 2

Ⓣ x 2

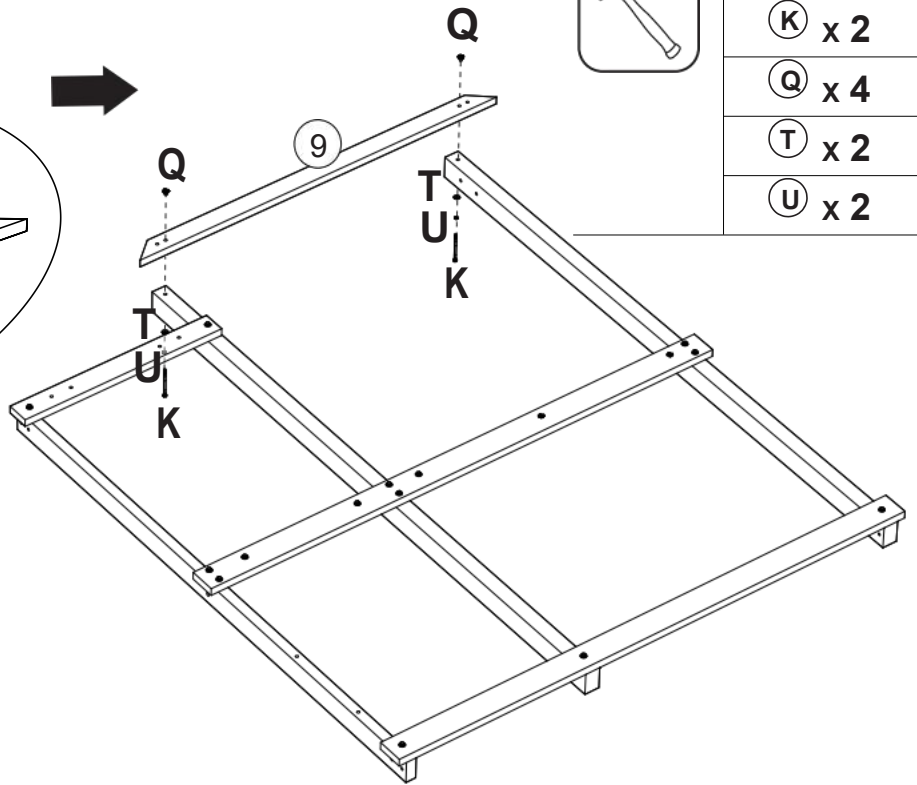
Ⓤ x 2

Step
Étape
Paso

4



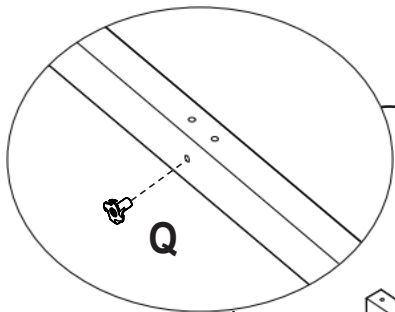
Assemble T-Nuts first with hammer!



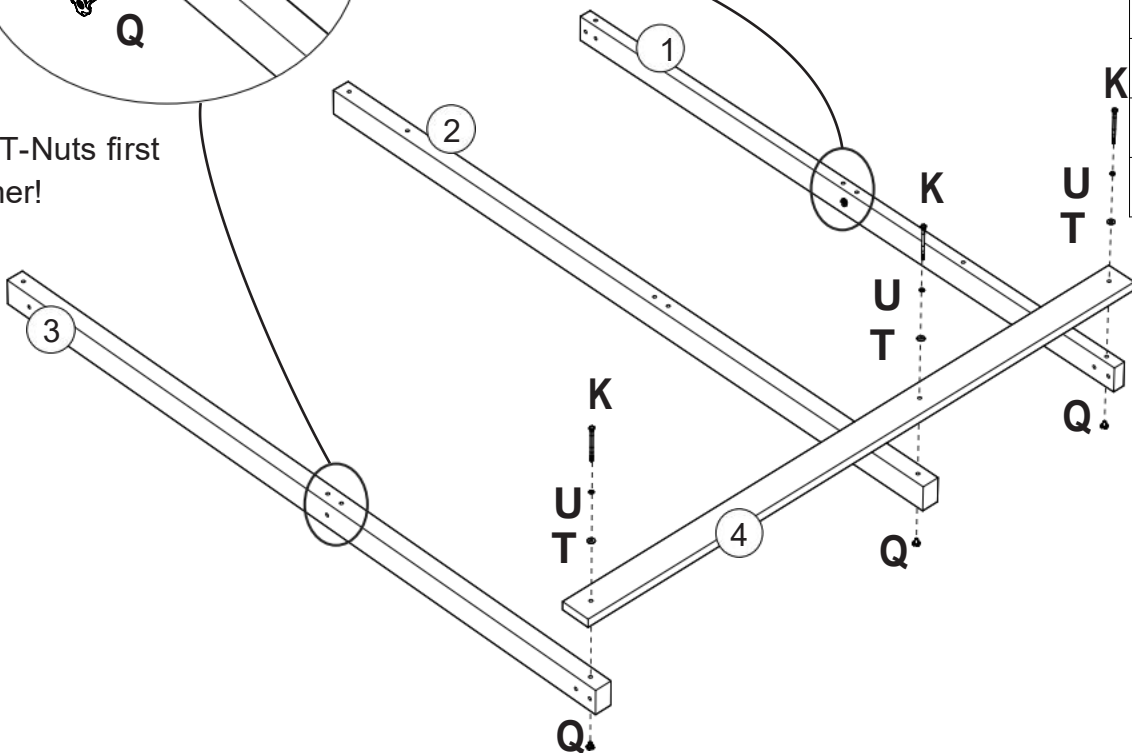
- 9 x 1
- K x 2
- Q x 4
- T x 2
- U x 2

Step
Étape
Paso

5



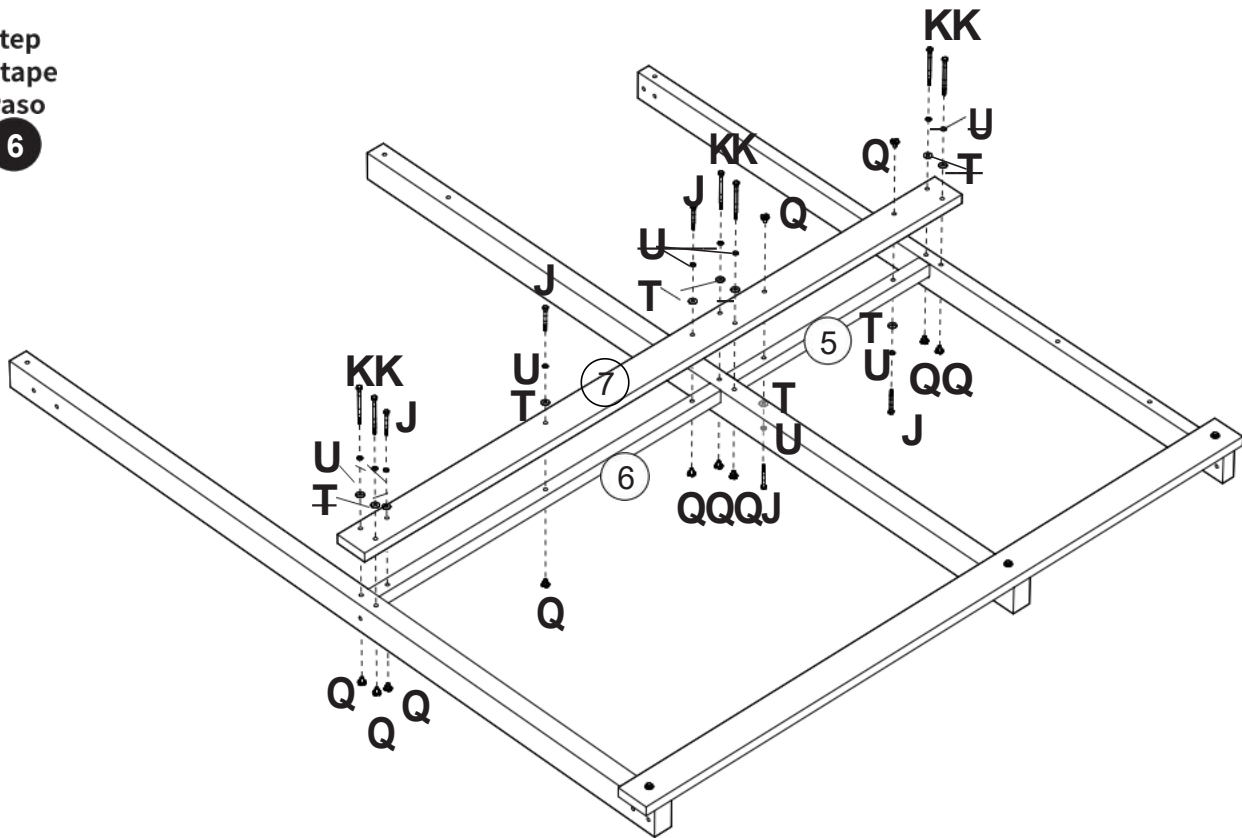
Assemble T-Nuts first with hammer!



- 1 x 1
- 2 x 1
- 3 x 1
- 4 x 1
- K x 3
- Q x 5
- T x 3
- U x 3

Step
Étape
Paso

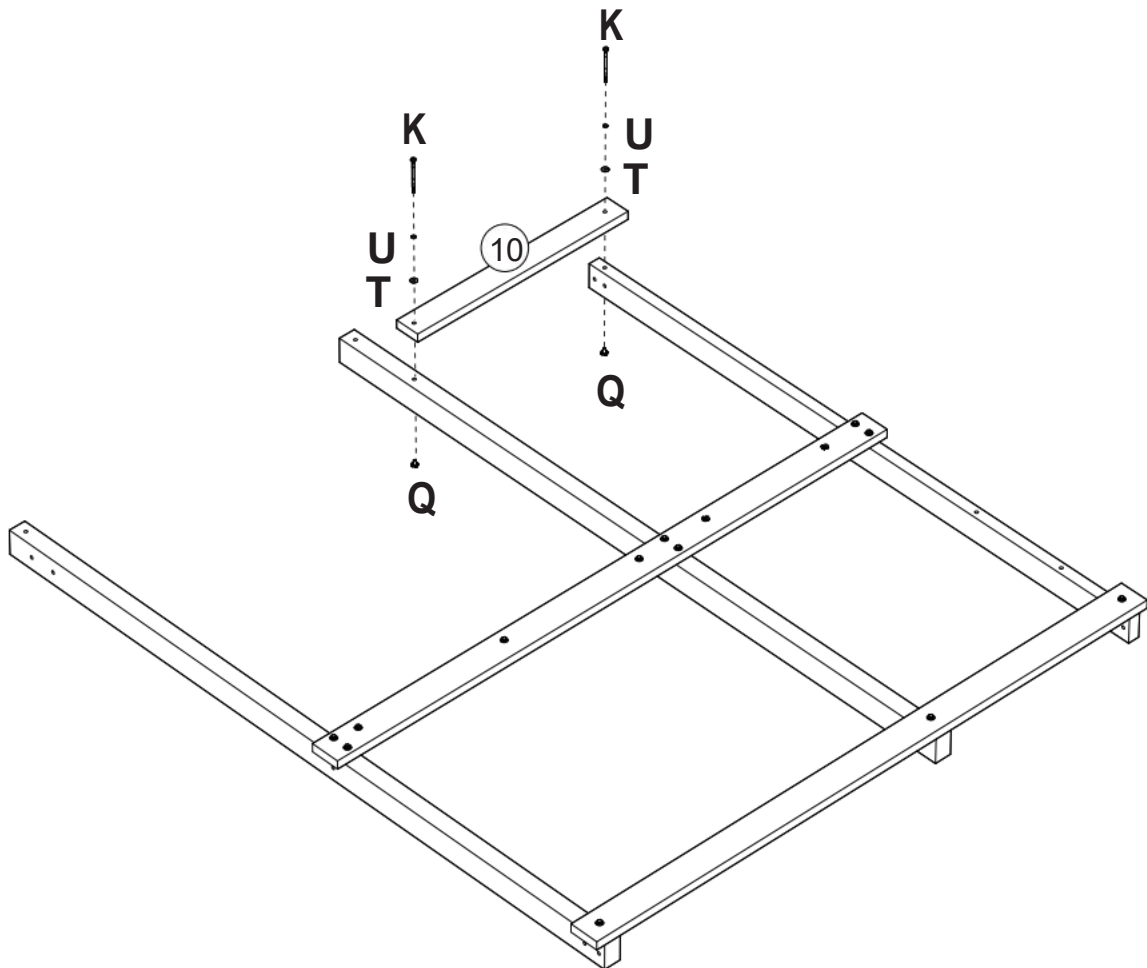
6



- ⑤ x 1
- ⑥ x 1
- ⑦ x 1
- Ⓚ x 6
- Ⓝ x 5
- Ⓠ x 11
- Ⓣ x 11
- Ⓤ x 11

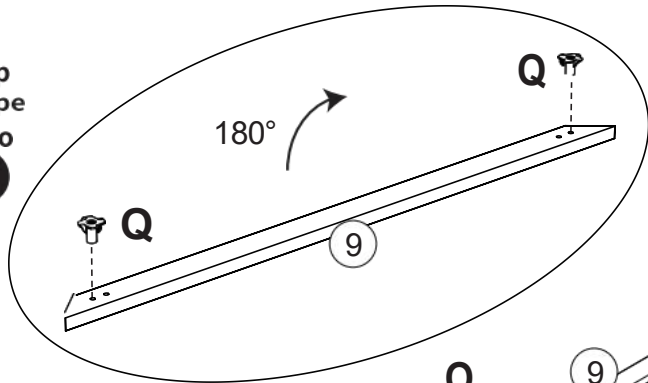
Step
Étape
Paso

7

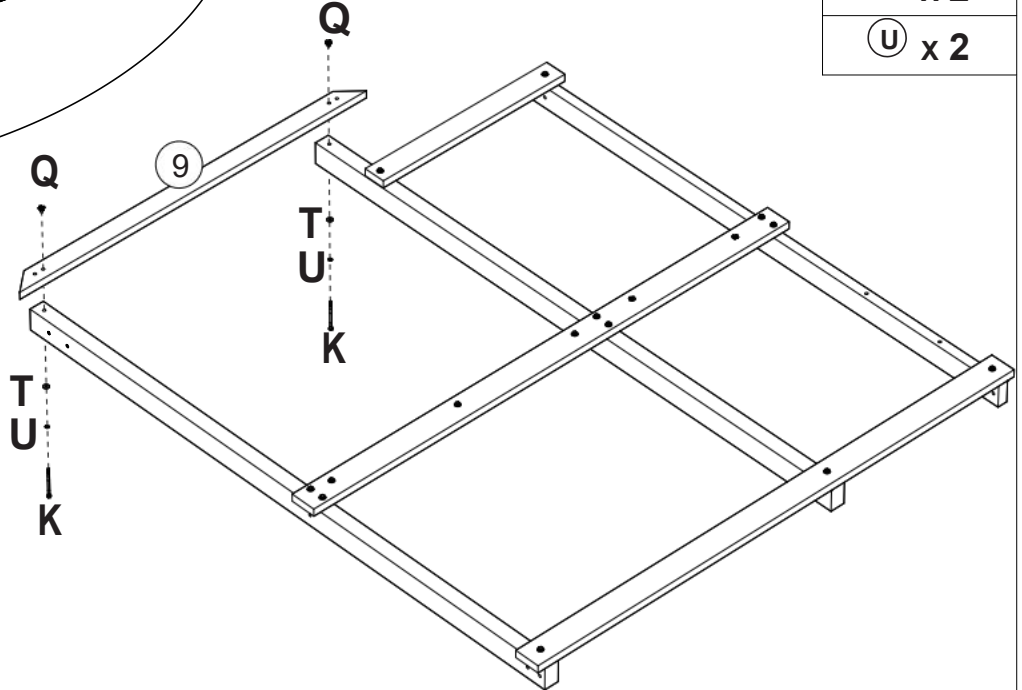


- ⑩ x 1
- Ⓚ x 2
- Ⓠ x 2
- Ⓣ x 2
- Ⓤ x 2

Step
Étape
Paso
8

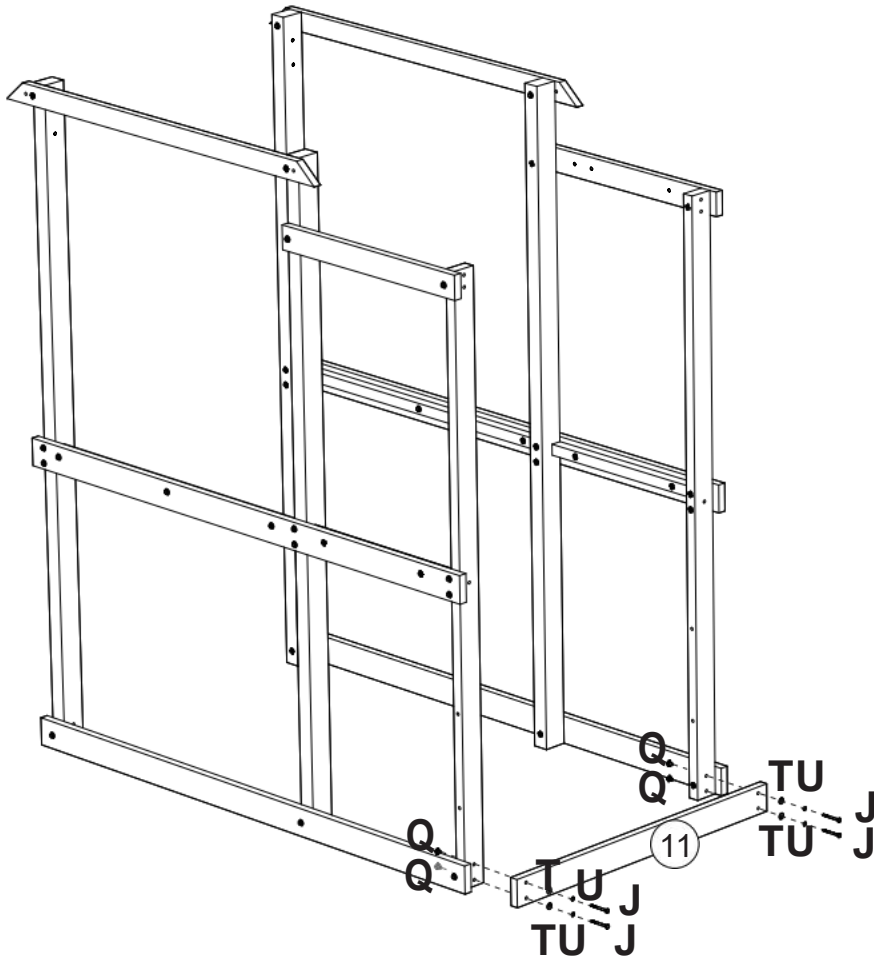


Assemble T-Nuts first
with hammer!



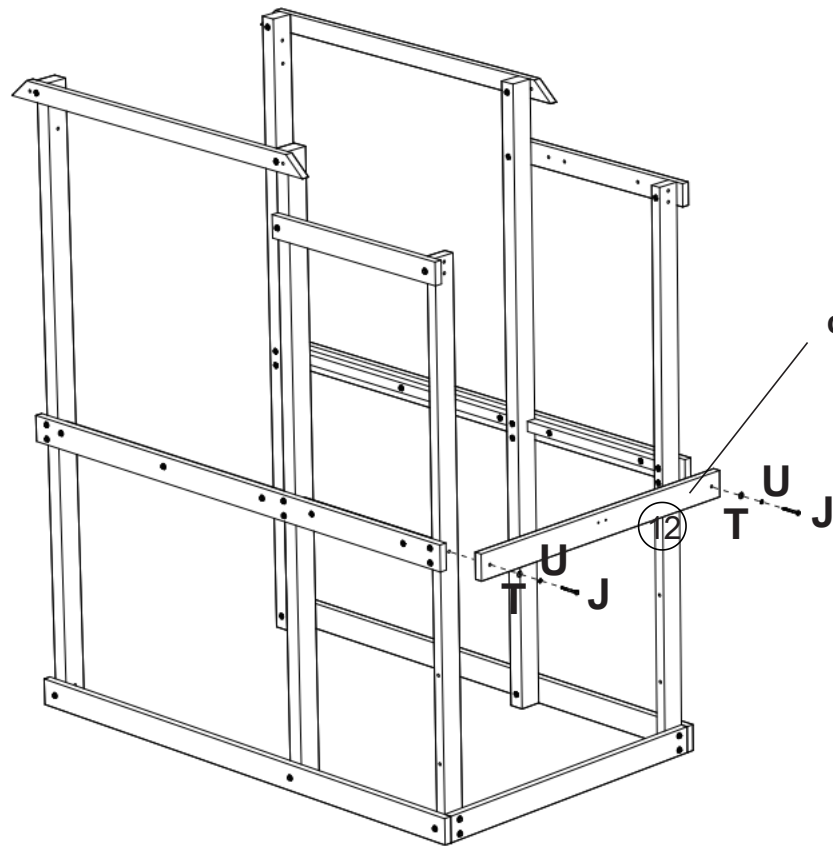
- ⑨ x 1
- Ⓚ x 2
- Ⓚ x 4
- Ⓣ x 2
- Ⓤ x 2

Step
Étape
Paso
9



- ⑪ x 1
- Ⓝ x 4
- Ⓚ x 4
- Ⓣ x 4
- Ⓤ x 4

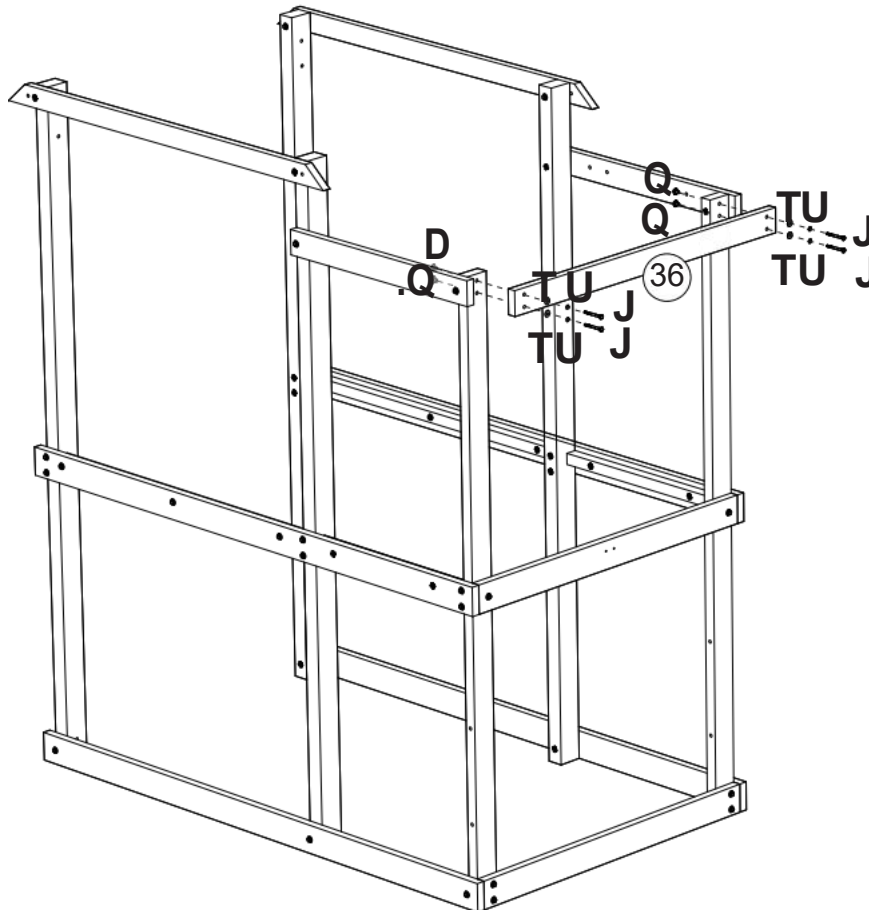
Step
Étape
Paso
10



⑫	x 1
ⓐ	x 2
Ⓣ	x 2
Ⓤ	x 2

con logo

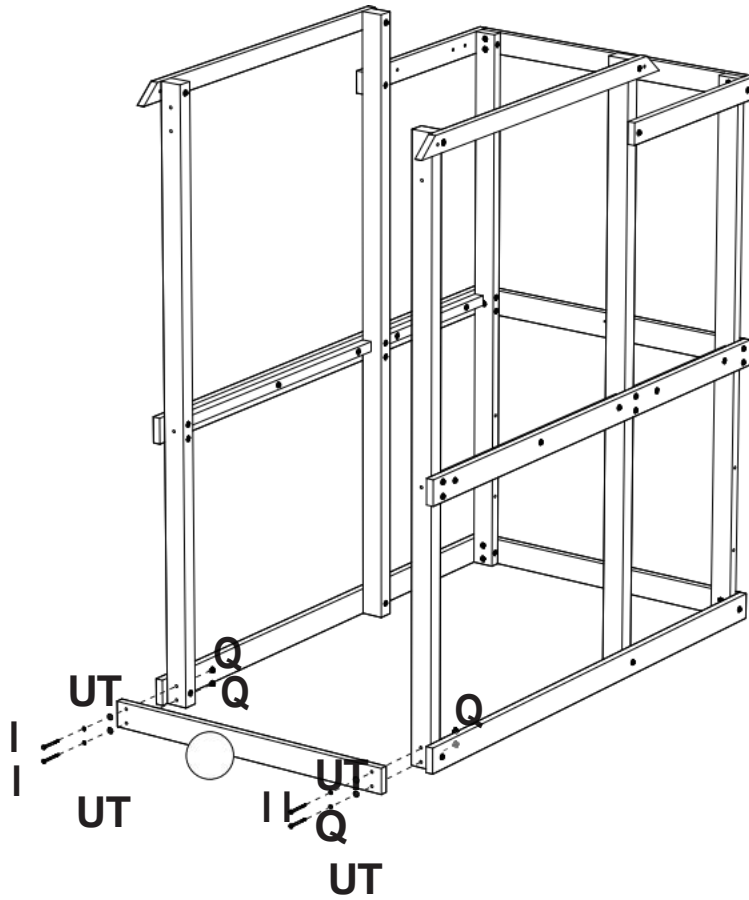
Step
Étape
Paso
11



③⑥	x 1
ⓐ	x 4
Ⓚ	x 4
Ⓣ	x 4
Ⓤ	x 4

Step
Étape
Paso

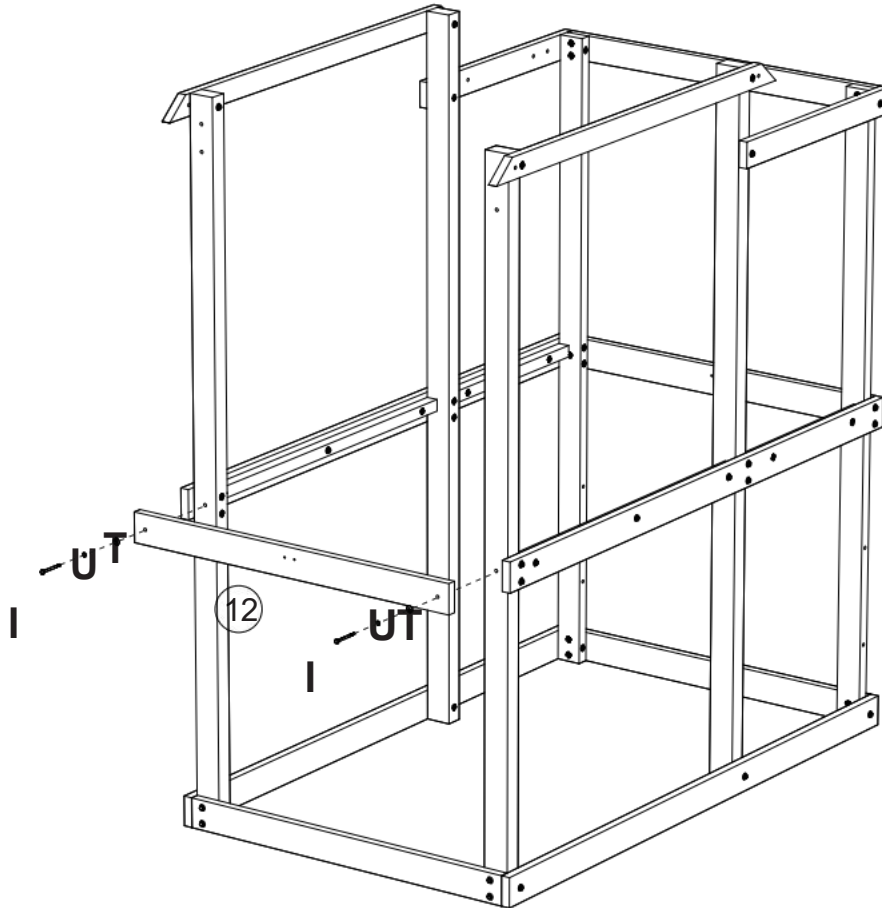
12



⑪	x 1
Ⓛ	x 4
Ⓚ	x 4
Ⓣ	x 4
Ⓤ	x 4

Step
Étape
Paso

13



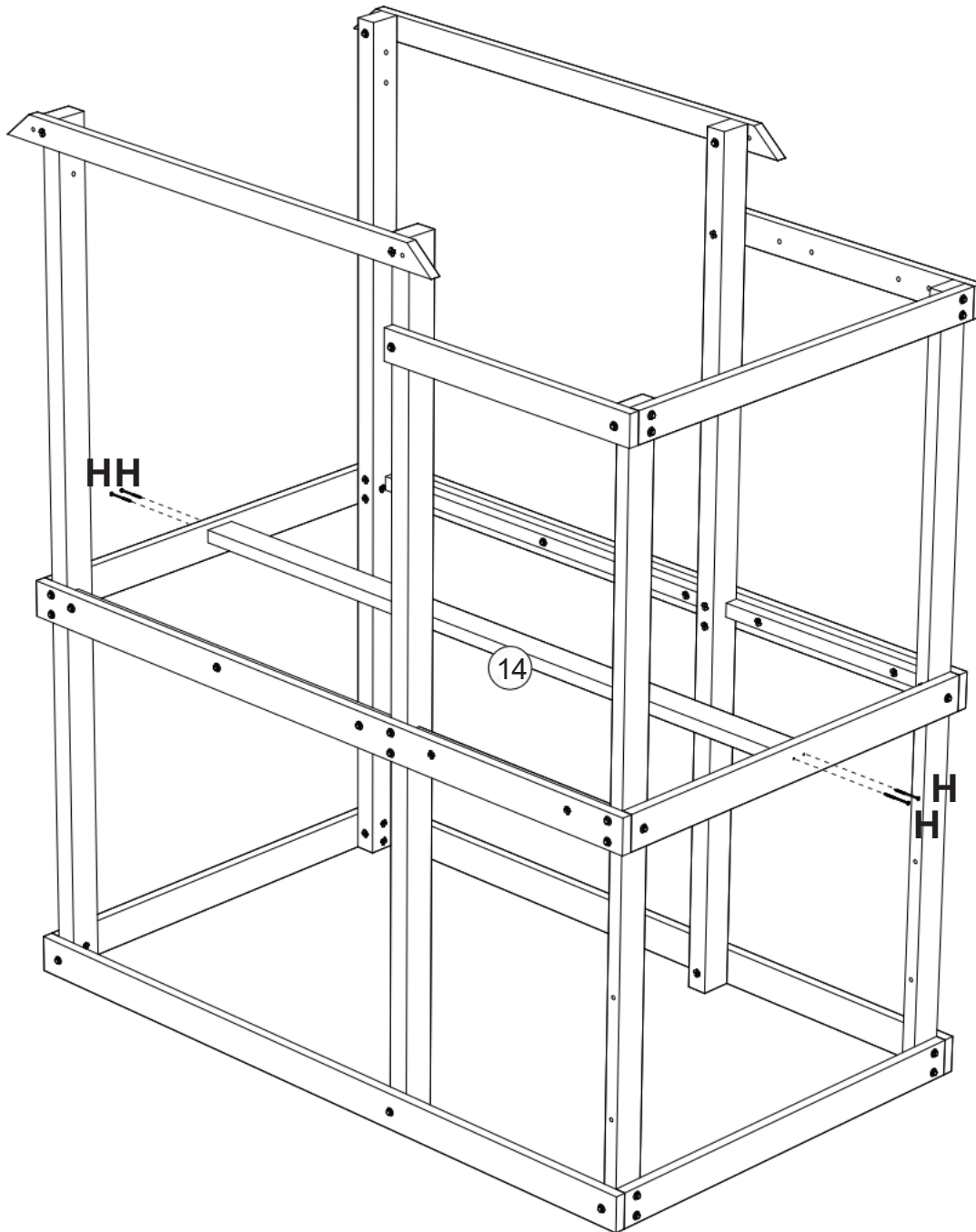
⑫	x 1
Ⓛ	x 2
Ⓣ	x 2
Ⓤ	x 2

Step
Étape
Paso

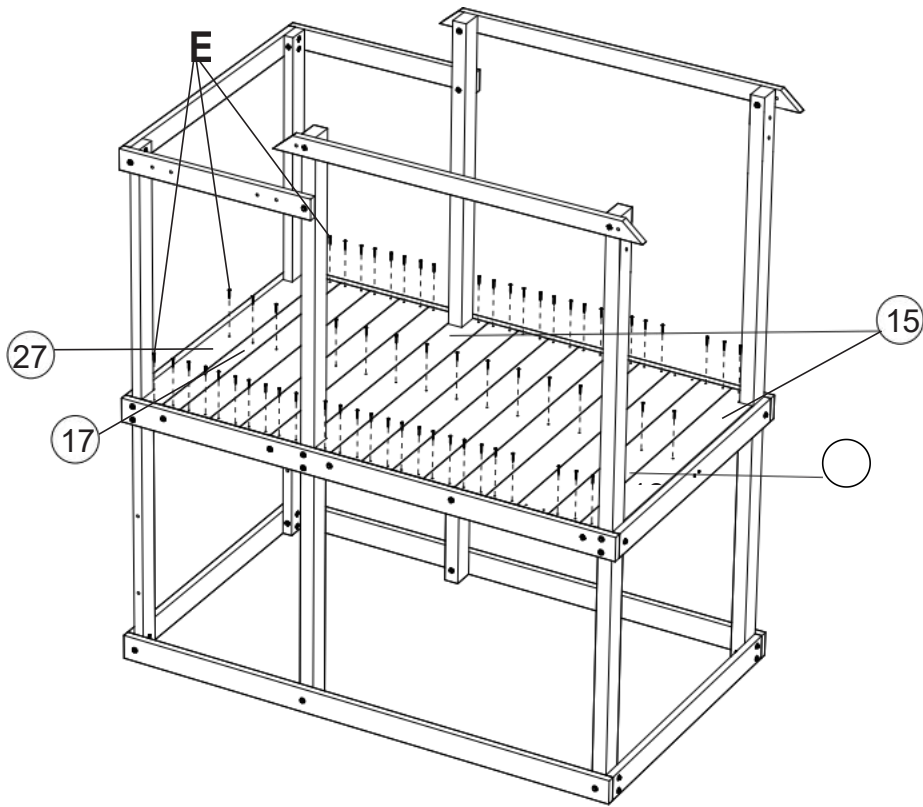
14

14 x 1

H x 4

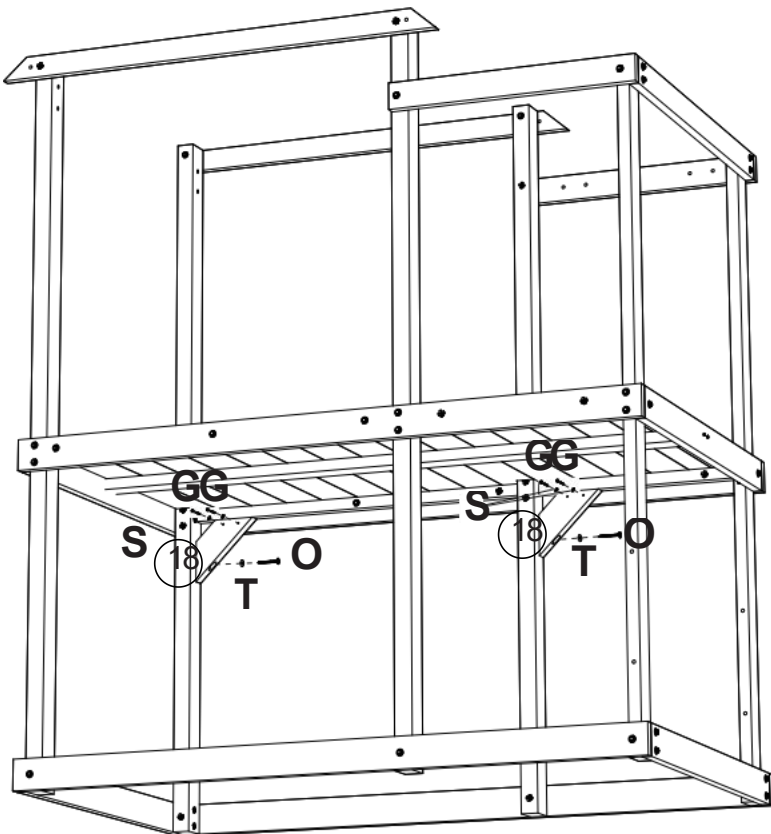


Step
Étape
Paso
15

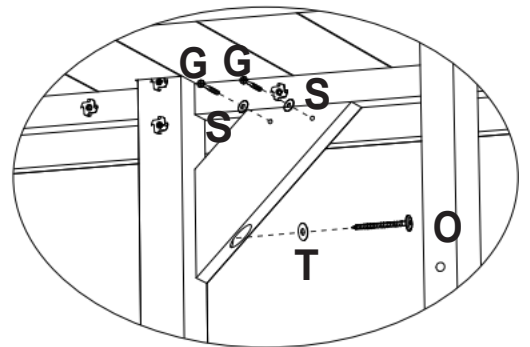


- ⓫ x 2
- ⓬ x 12
- ⓭ x 1
- ⓮ x 1
- Ⓔ x 67

Step
Étape
Paso
16

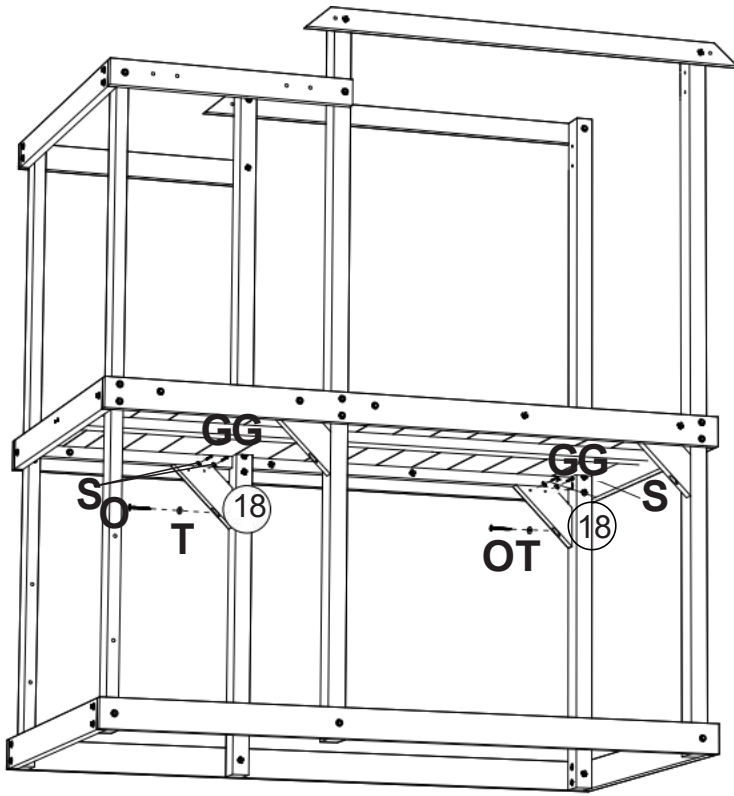


- ⓯ x 2
- ⓰ x 4
- ⓱ x 2
- ⓲ x 4
- ⓳ x 2

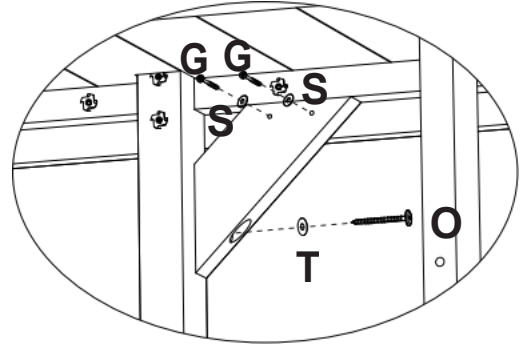


Step
Étape
Paso

17

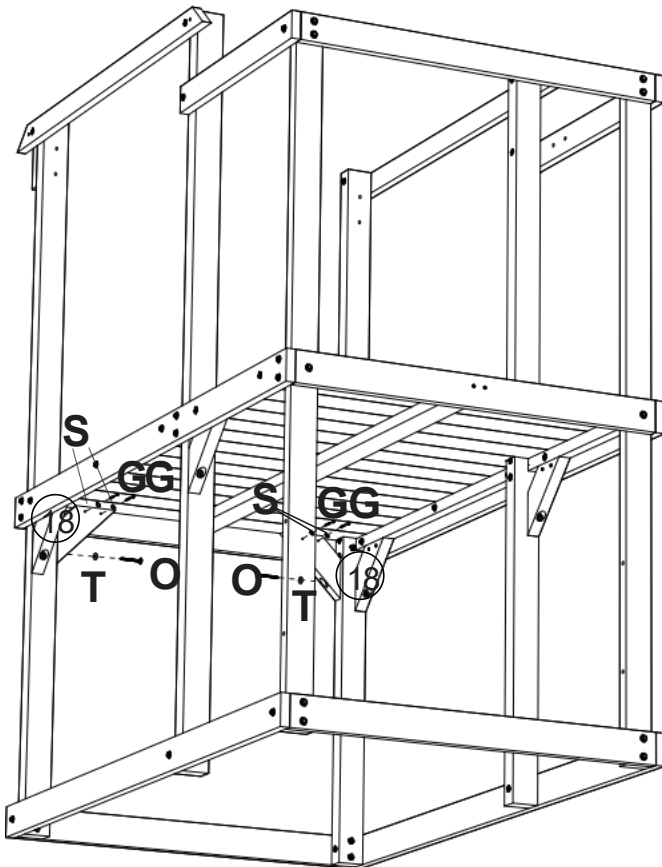


- ⓑ x 2
- Ⓒ x 4
- ⓐ x 2
- Ⓢ x 4
- Ⓣ x 2

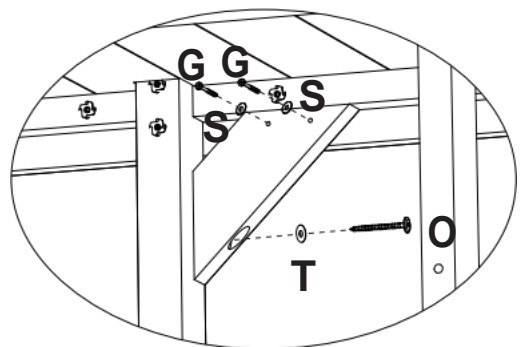


Step
Étape
Paso

18

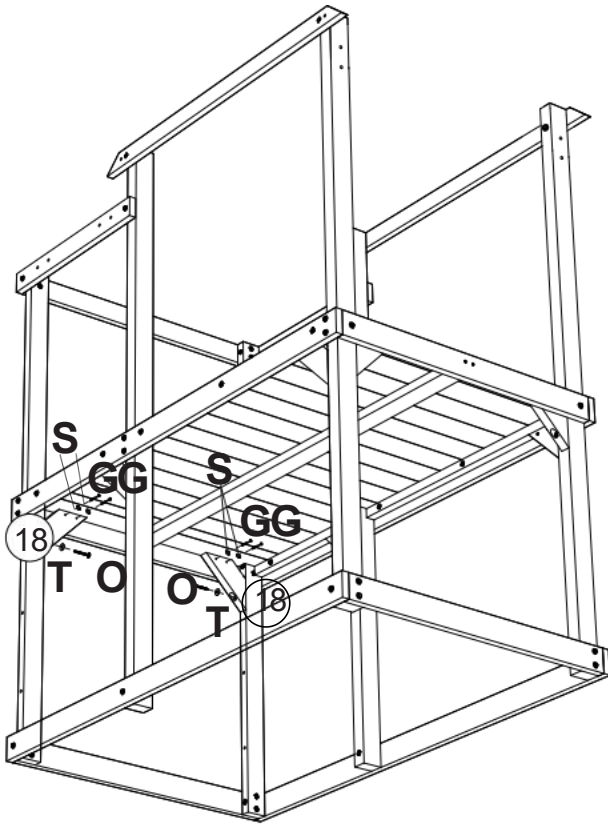


- ⓑ x 2
- Ⓒ x 4
- ⓐ x 2
- Ⓢ x 4
- Ⓣ x 2



Step
Étape
Paso

19



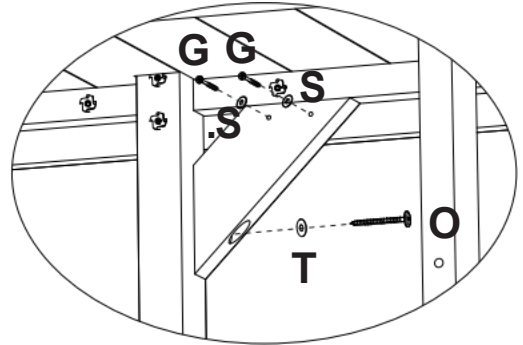
18 x 2

G x 4

O x 2

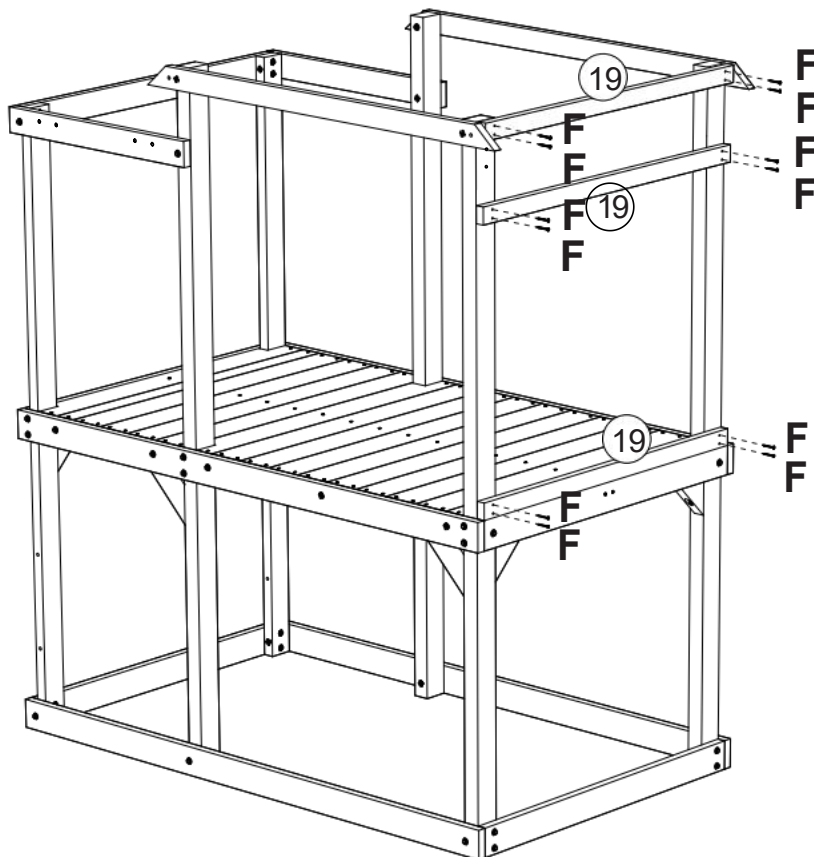
S x 4

T x 2



Step
Étape
Paso

20

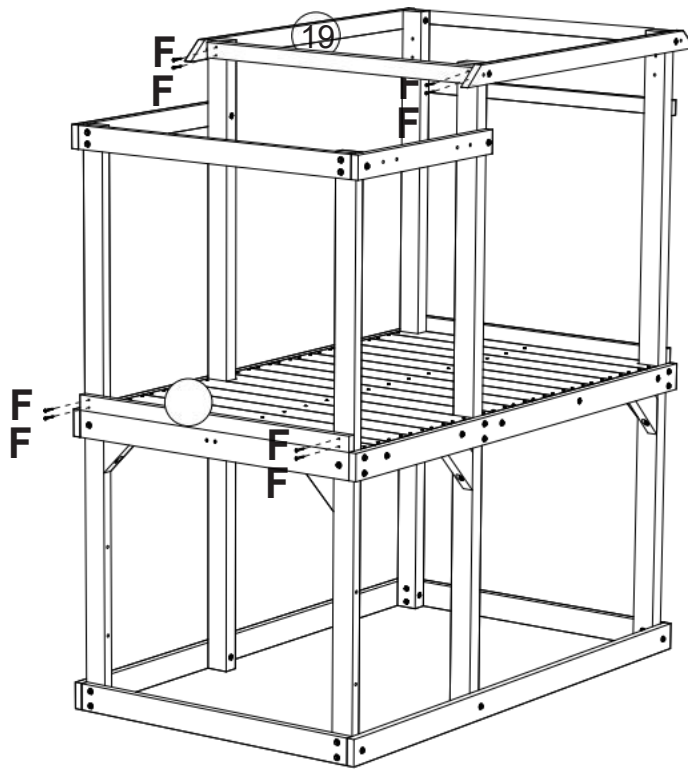


19 x 3

F x 12

Step
Étape
Paso

21

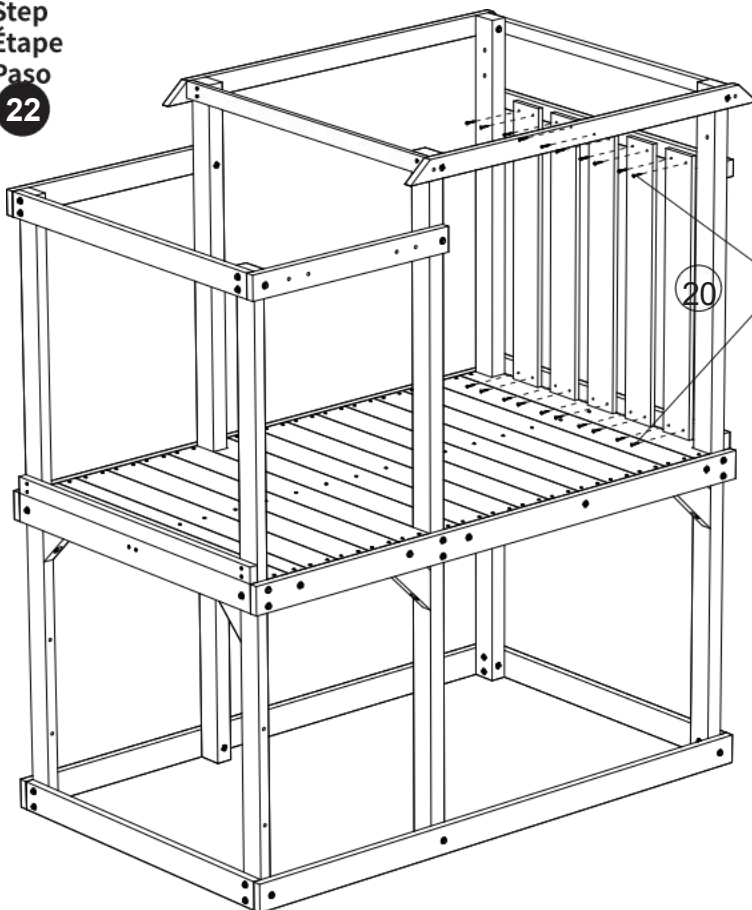


19 x 2

F x 8

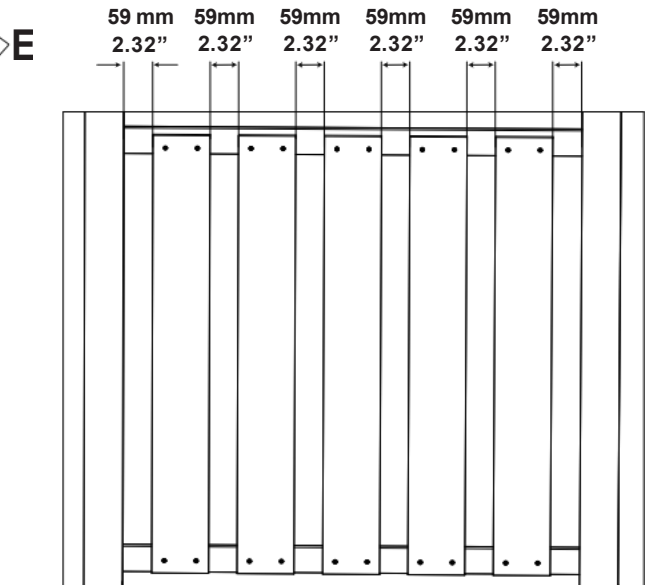
Step
Étape
Paso

22



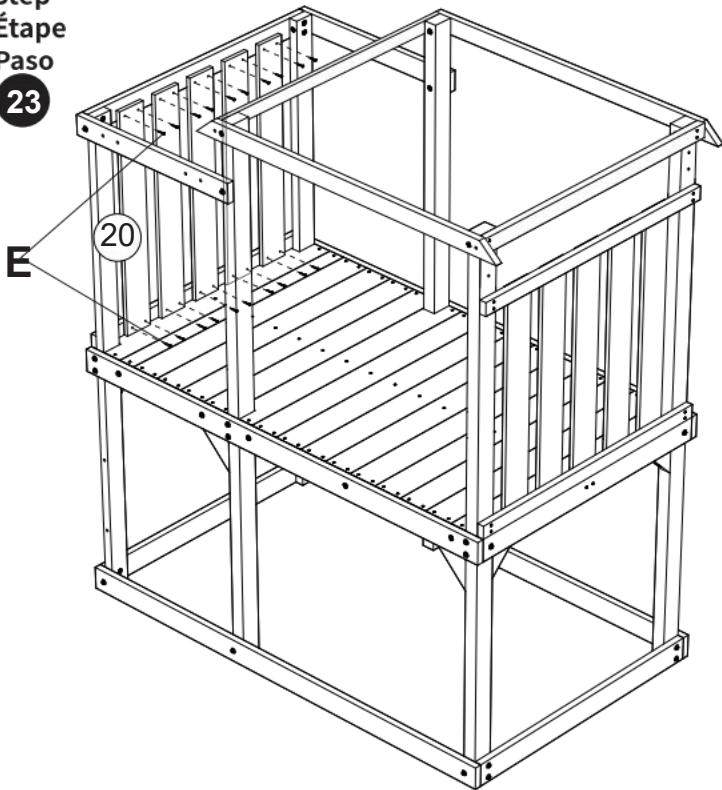
20 x 5

E x 20



Step
Étape
Paso

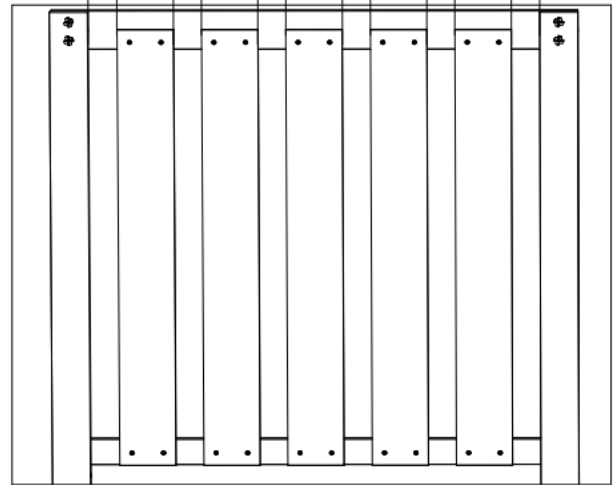
23



20 x 5

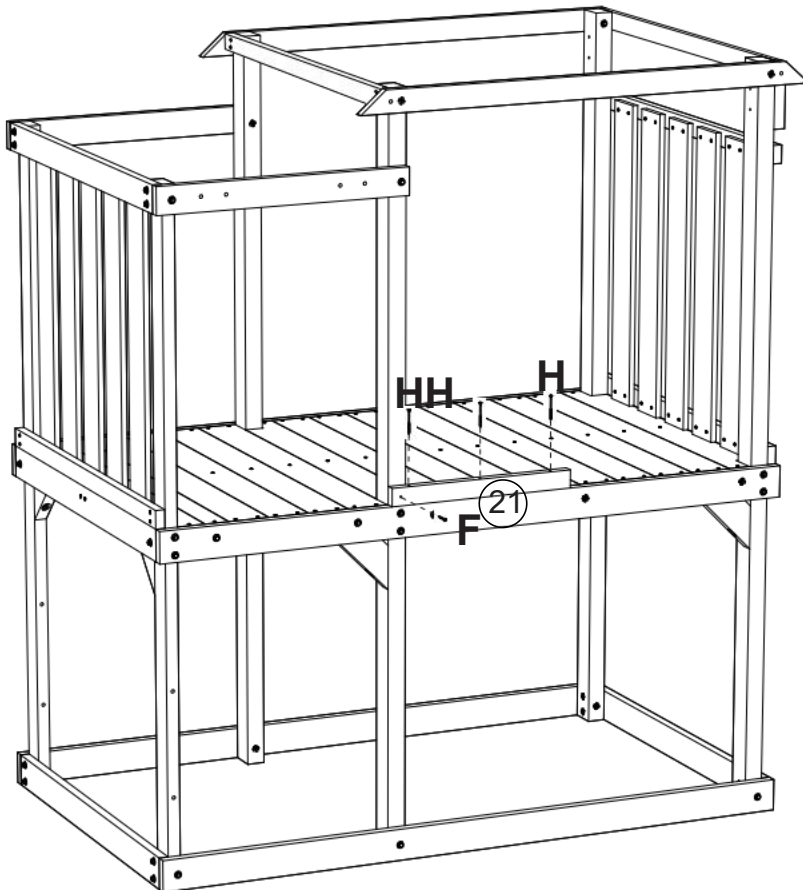
E x 20

59 mm 59 mm 59 mm 59 mm 59 mm 59 mm
2,32" 2,32" 2,32" 2,32" 2,32" 2,32"



Step
Étape
Paso

24



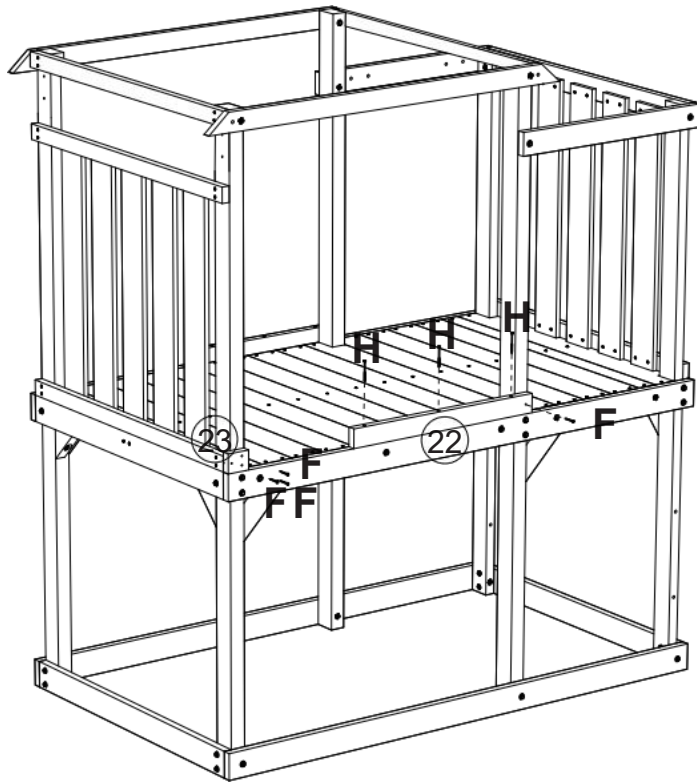
21 x 1

F x 1

H x 3

Step
Étape
Paso

25



22 x 1

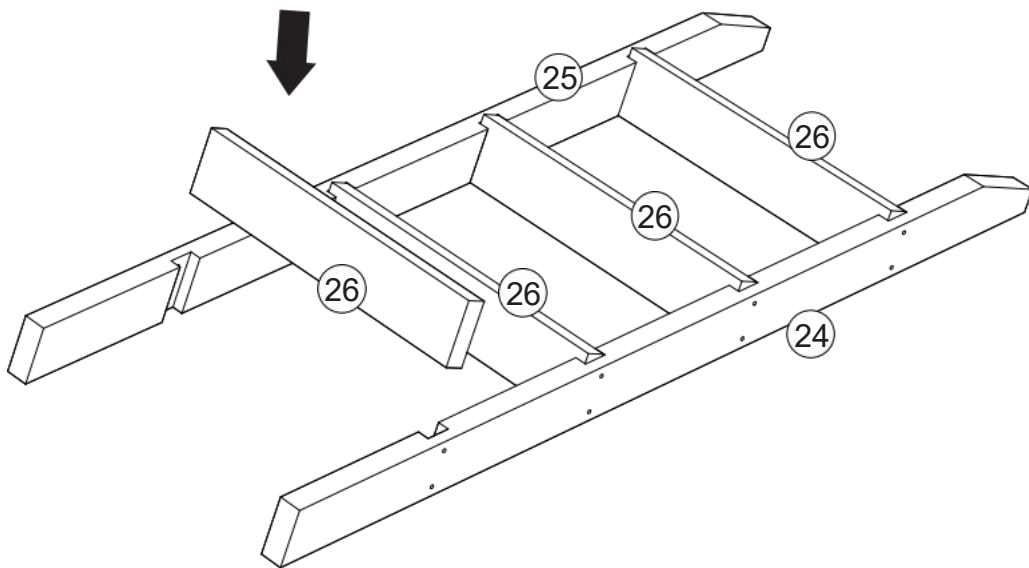
23 x 1

F x 4

H x 3

Step
Étape
Paso

26



24 x 1

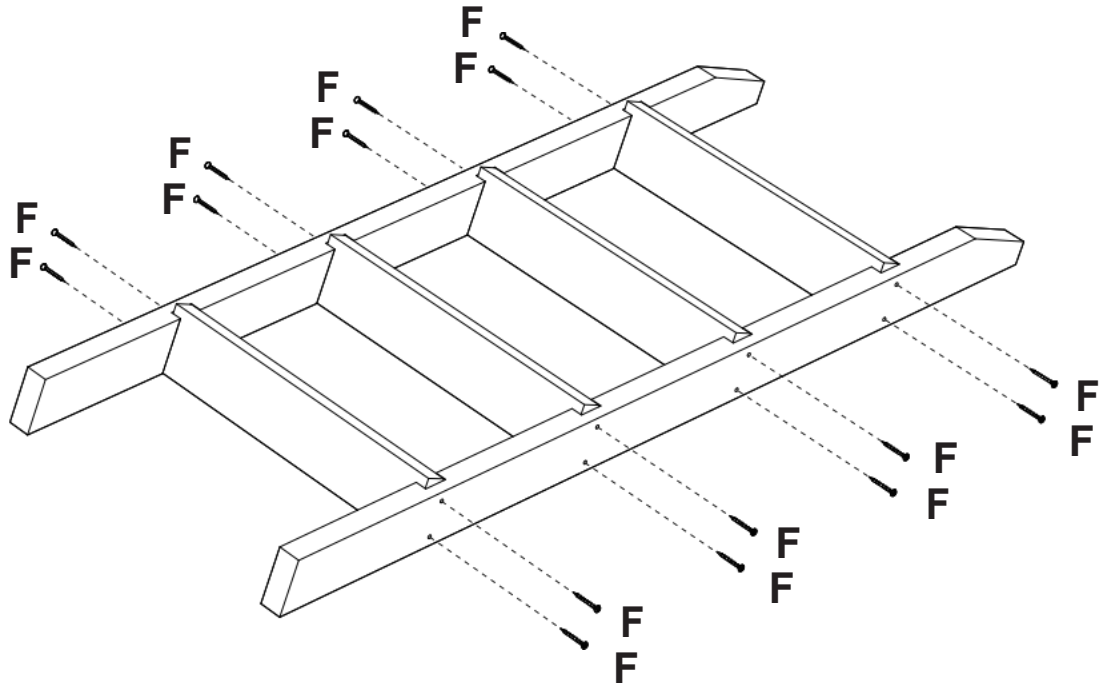
25 x 1

26 x 4

(F) x 16

Step
Étape
aso

27

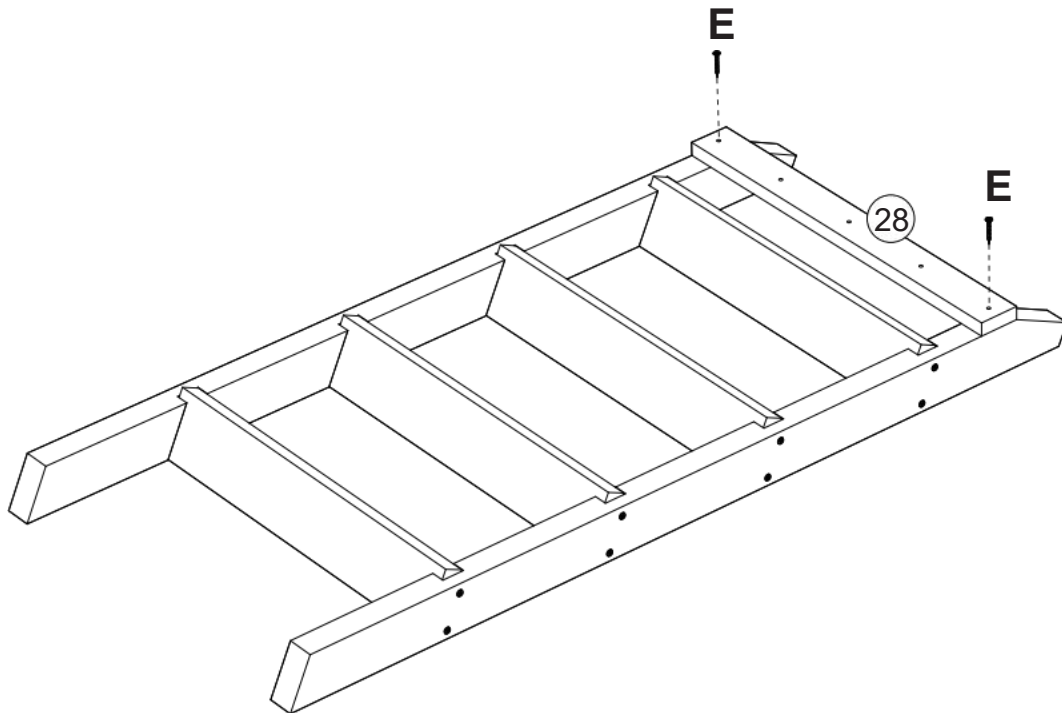


Step
Étape
aso

28

(28) x 1

(E) x 2

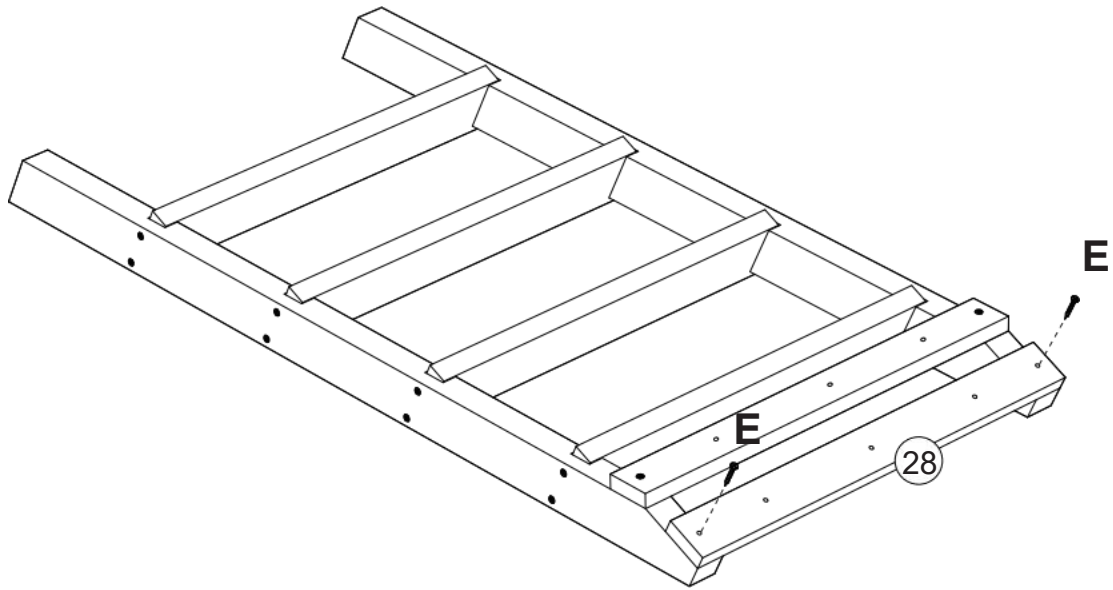


Step
Étape
Paso

29

28 x 1

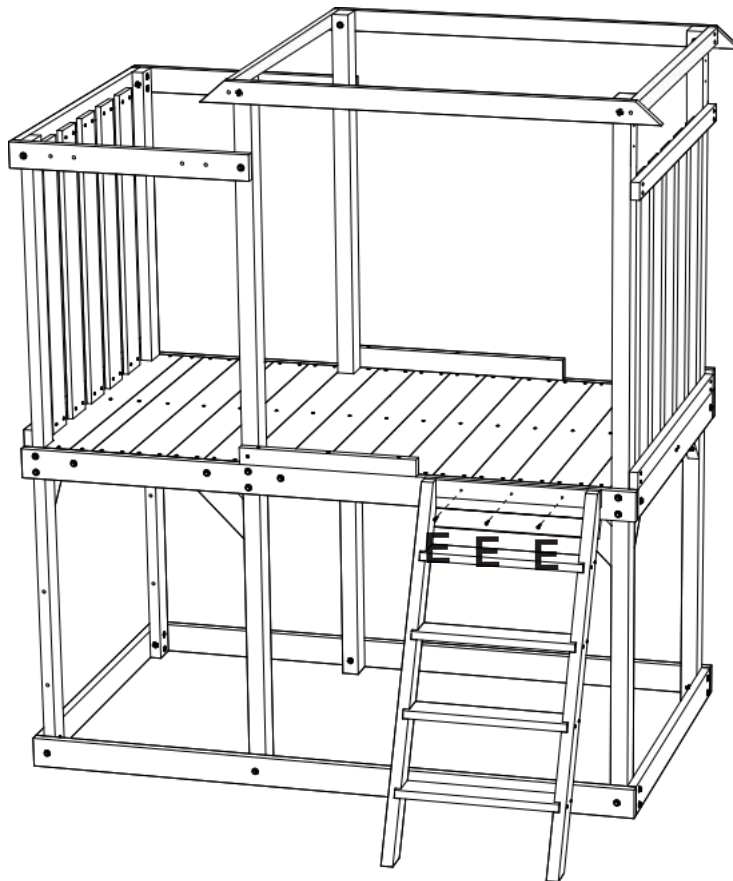
E x 2



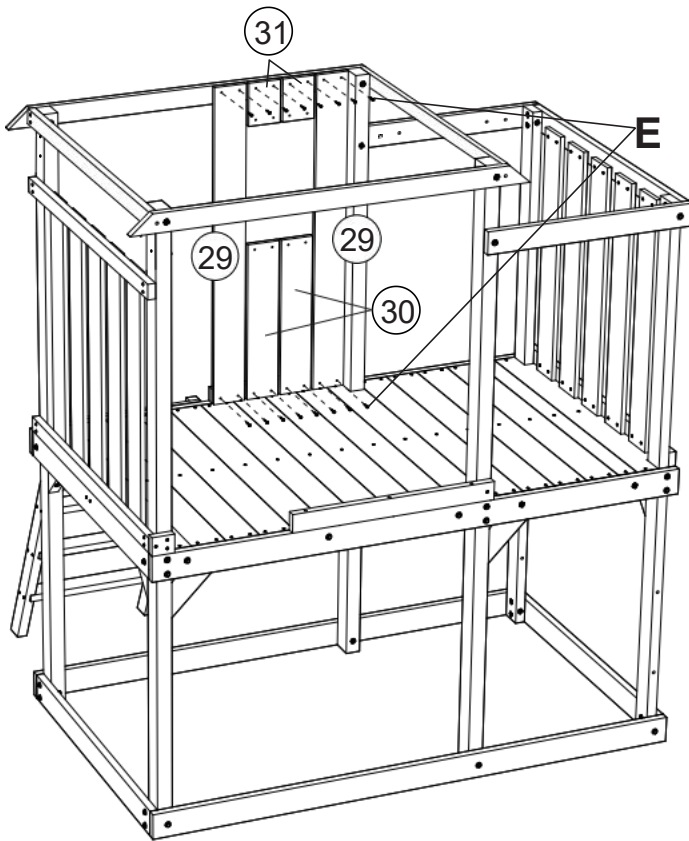
Step
Étape
Paso

30

E x 3



Step
Étape
Paso
31

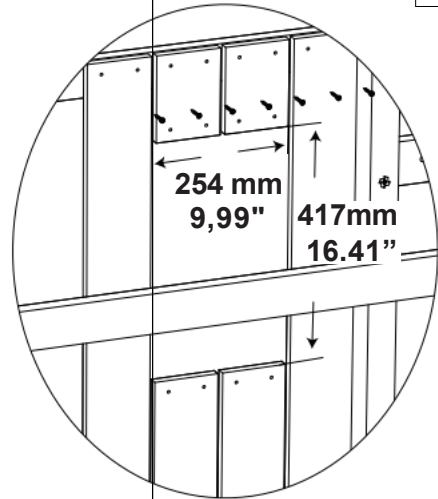


29 x 2

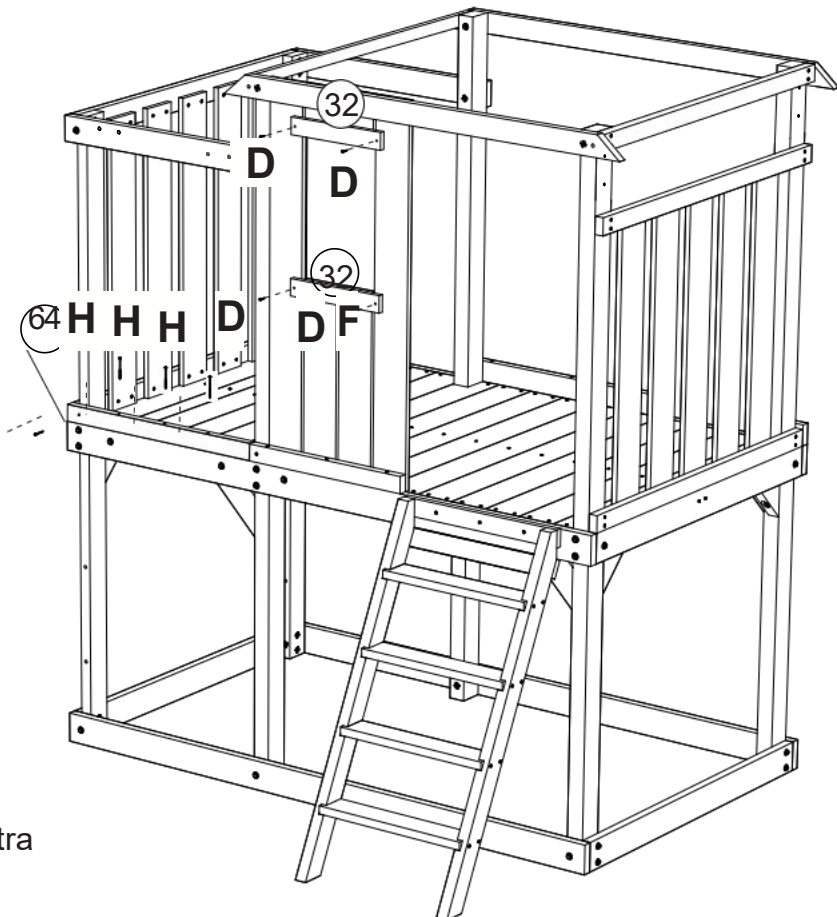
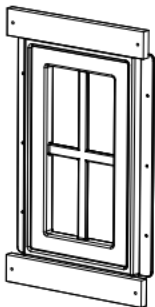
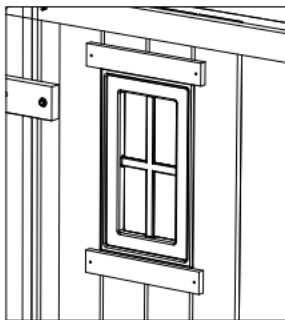
30 x 2

31 x 2

E x 16



Step
Étape
Paso
32



32 x 2

64 x 1

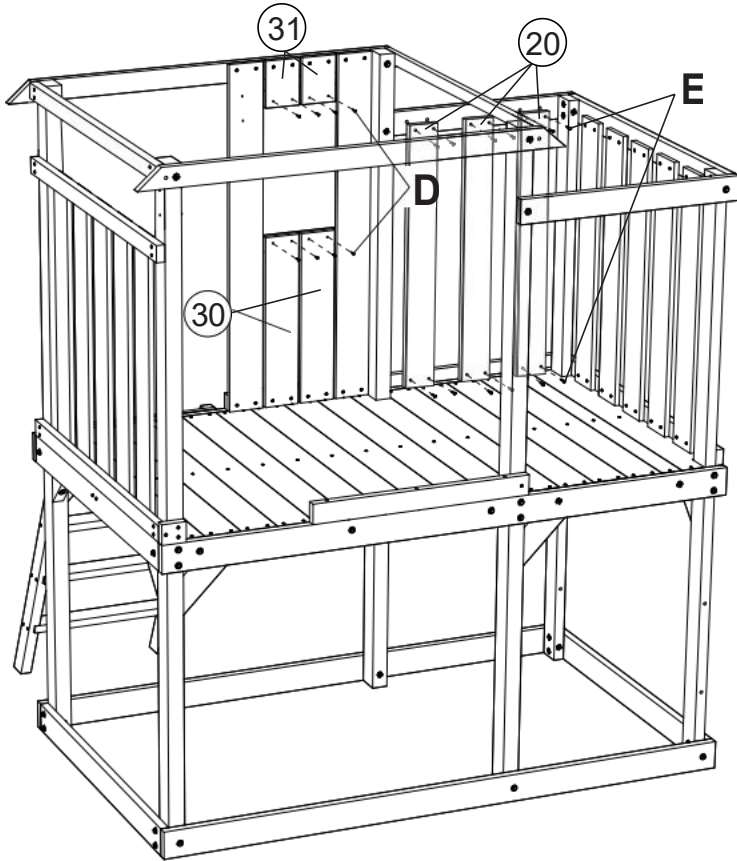
D x 4

F x 1

H x 3

Allineare con la finestra

Step
Étape
Paso
33

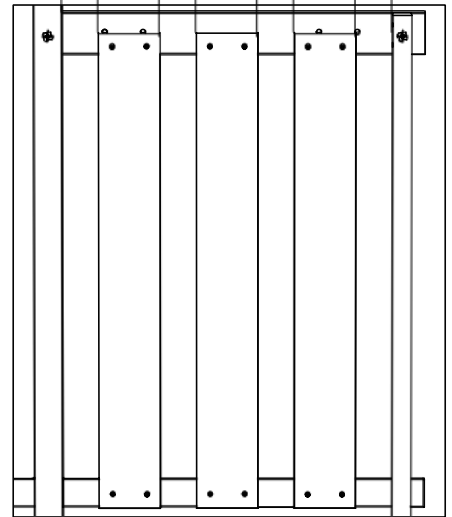


⓪ x 3

ⓓ x 8

ⓔ x 12

69.5mm 69.5mm 69.5mm 69.5mm
2.73" 2.73" 2.73" 2.73"



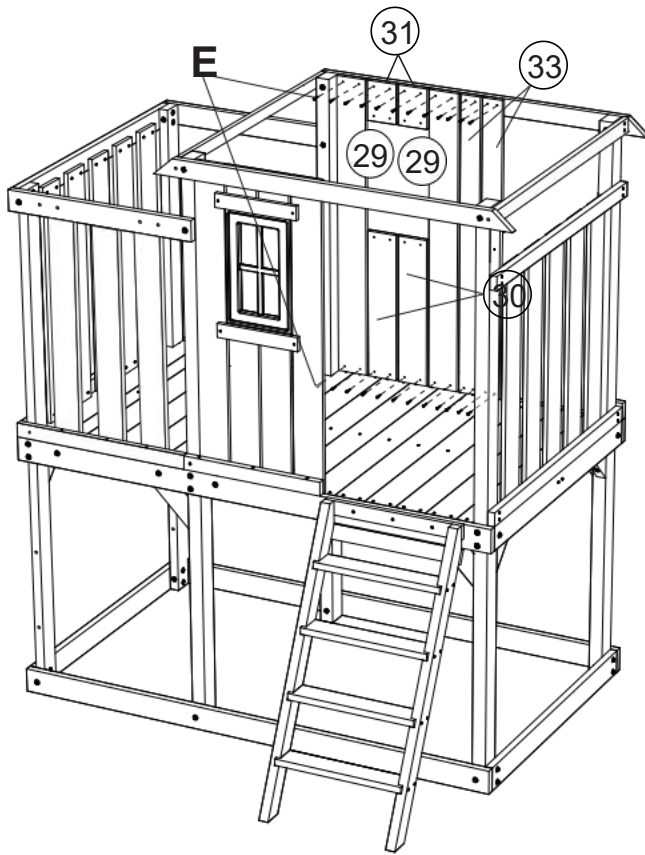
Step
Étape
Paso
34



ⓈⓅ x 1

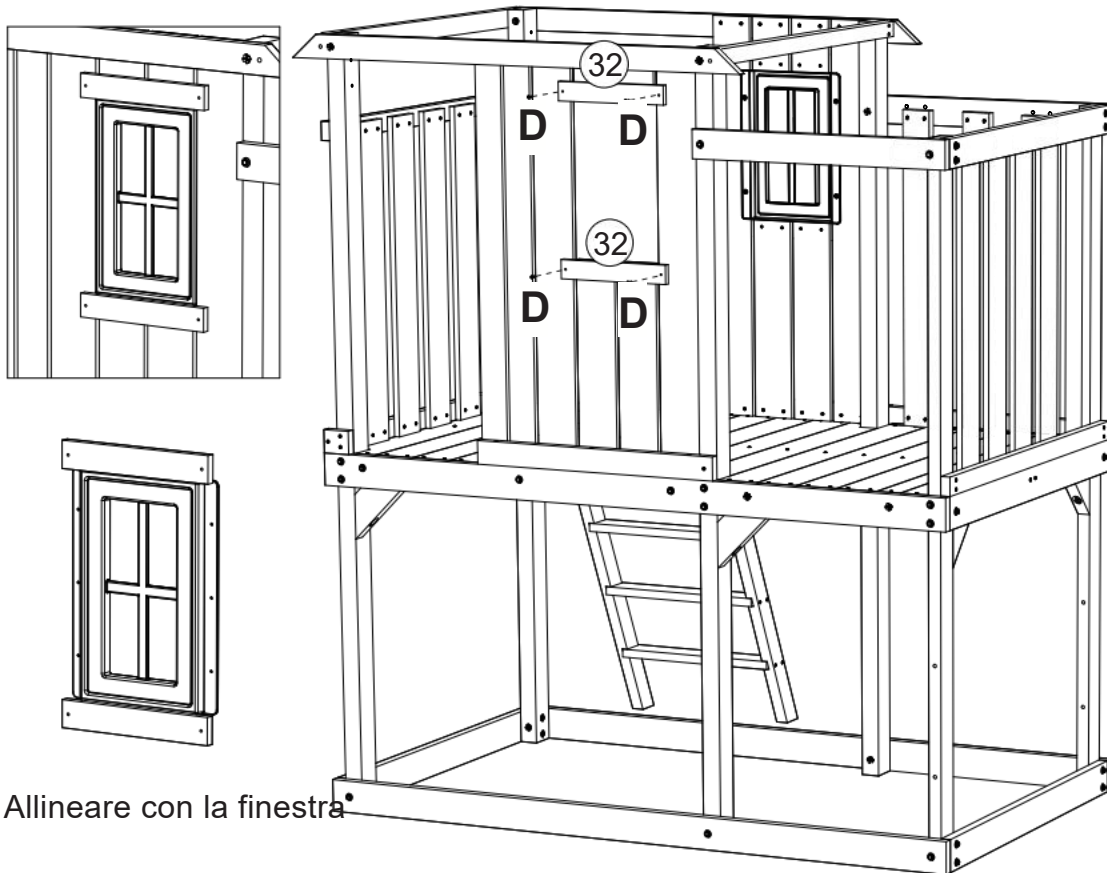
Ⓐ x

Step
Étape
Paso
35



- Ⓣ 29 x 2
- Ⓣ 30 x 2
- Ⓣ 31 x 2
- Ⓣ 33 x 2
- Ⓣ E x 24

Step
Étape
Paso
36



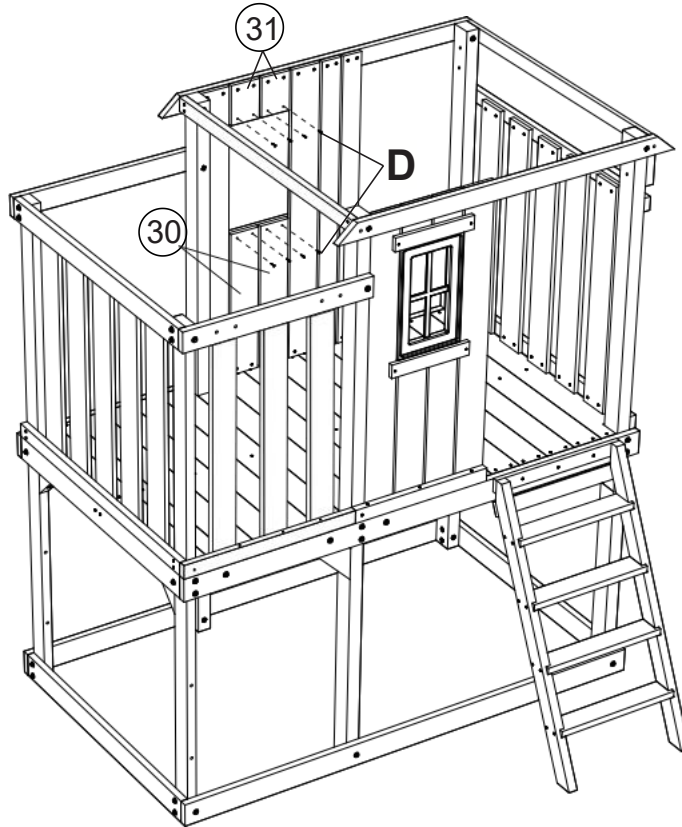
Allineare con la finestra

- Ⓣ 32 x 2
- Ⓣ D x 4

ⓓ x 8

Step
Étape
Paso

37



Step
Étape
Paso

38

ⓂⓈ x 1

Ⓐ x 6



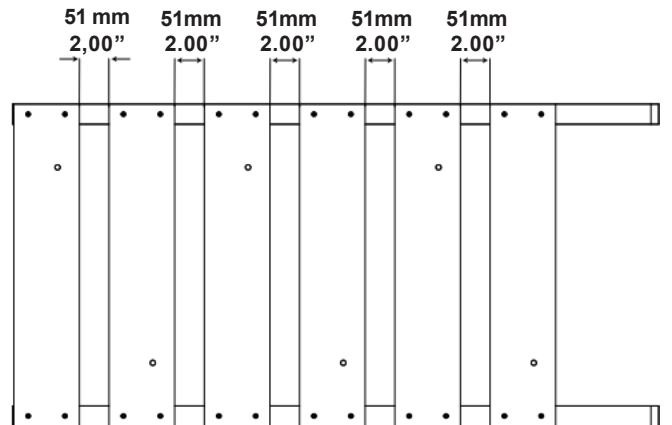
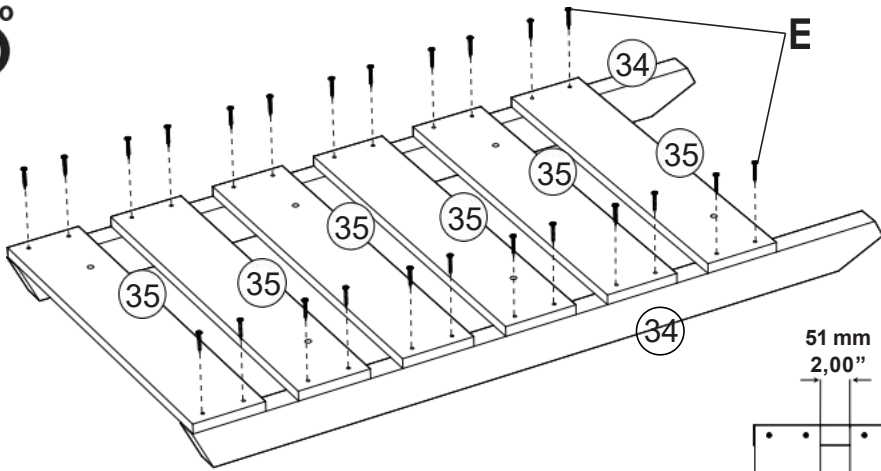
Step
Étape
Paso

39

34 x 2

35 x 6

E x 24

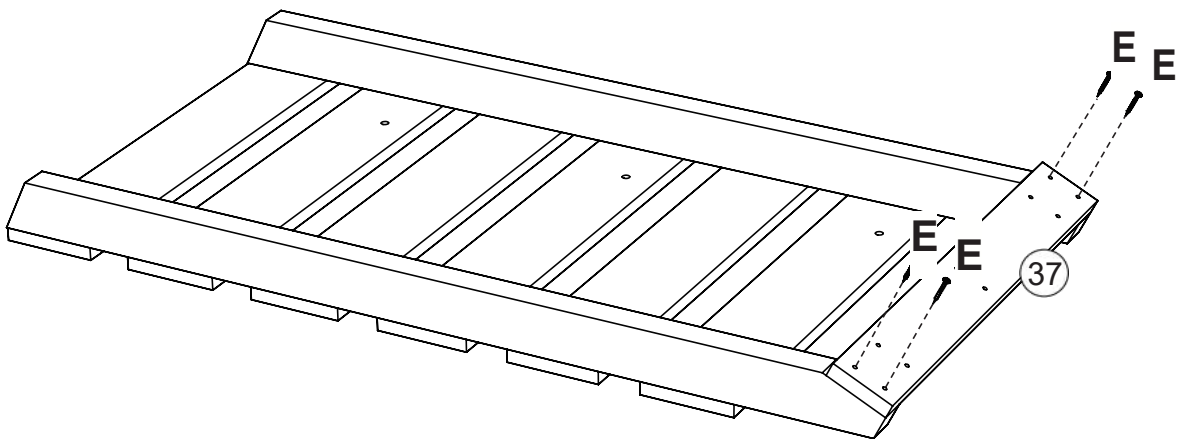


Step
Étape
Paso

40

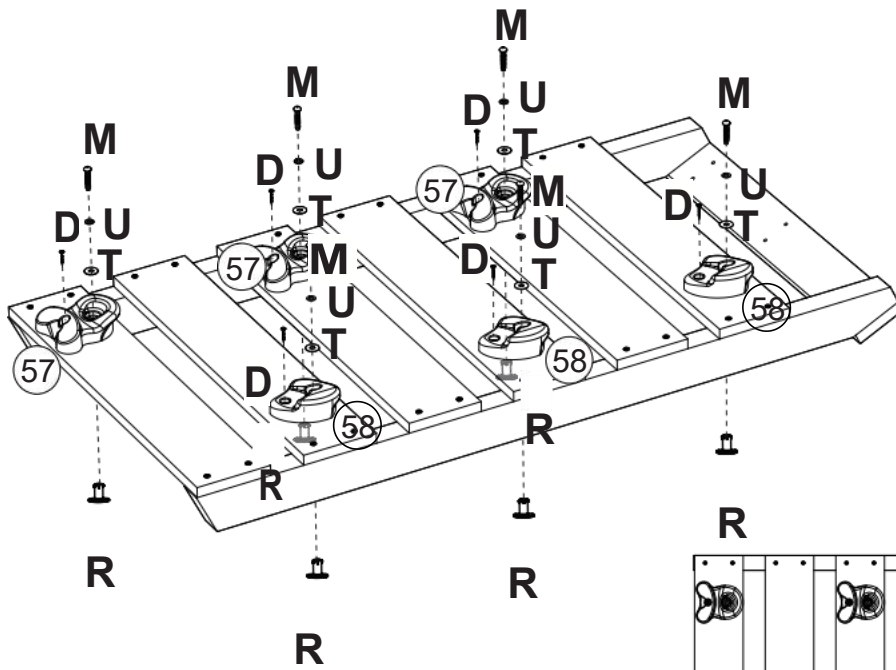
37 x 1

E x 4



Step
Étape
Paso

41



57 x 3

58 x 3

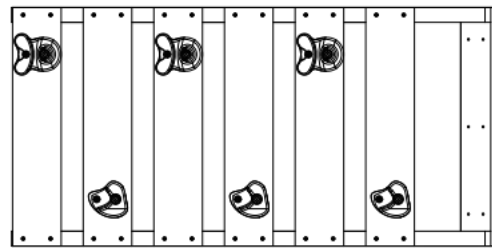
D x 6

M x 6

R x 6

T x 6

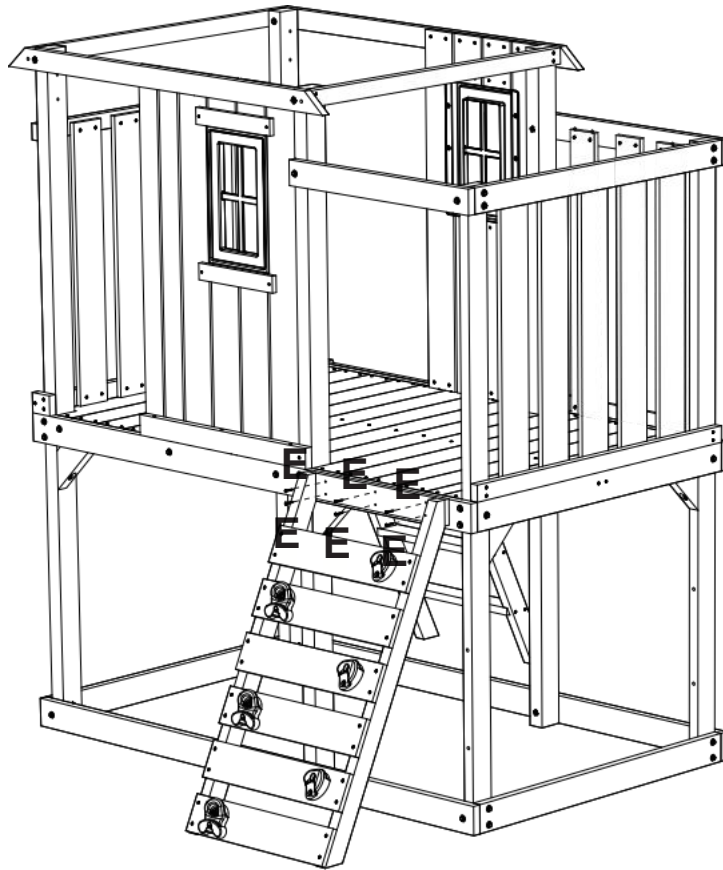
U x 6



E x 6

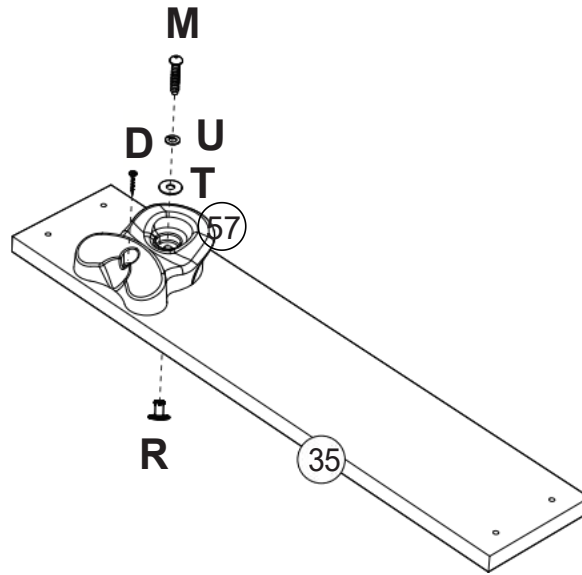
Step
Étape
Paso

42



Step
Étape
Paso

43



35 x 1

57 x 1

D x 1

M x 1

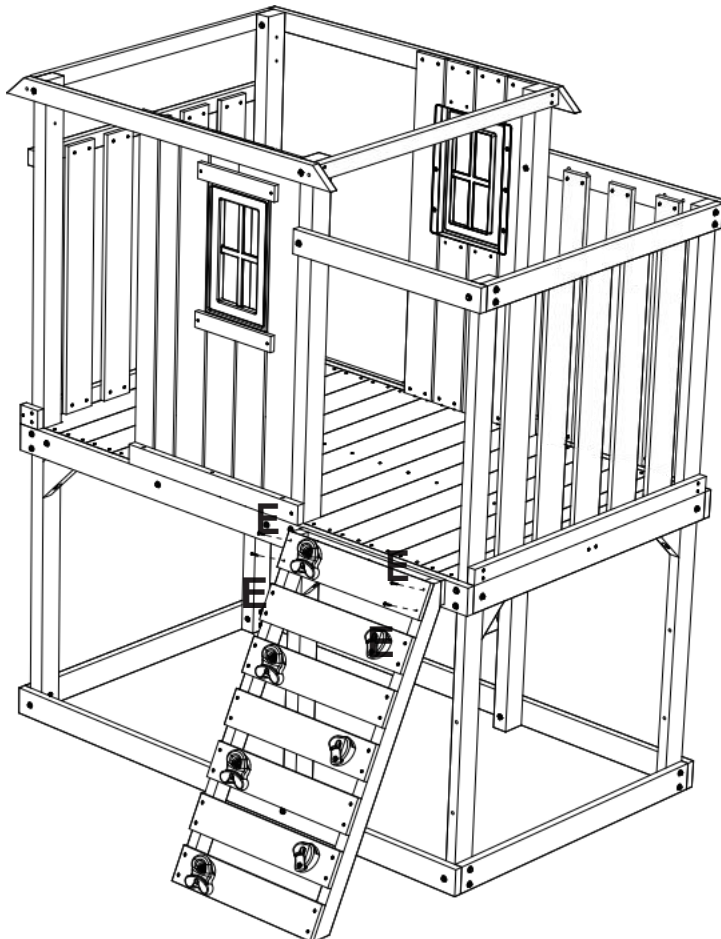
R x 1

T x 1

U x 1

Step
Étape
Paso

44



E x 4

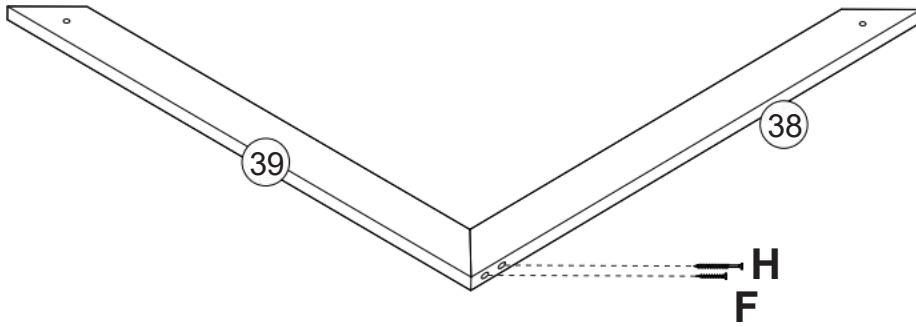
Step
Étape
Paso
45 x 2

38 x 1

39 x 1

F x 1

H x 1

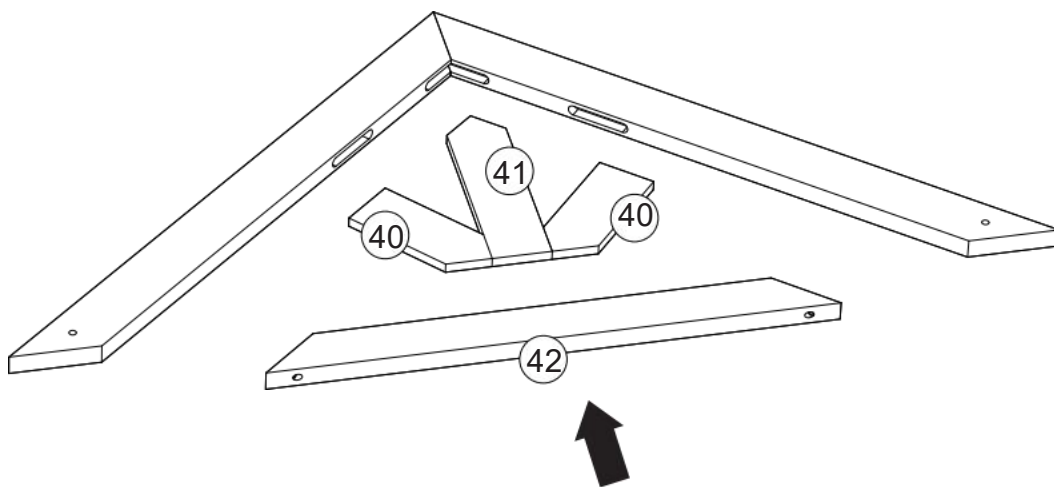


Step
Étape
Paso
46 x 2

40 x 2

41 x 1

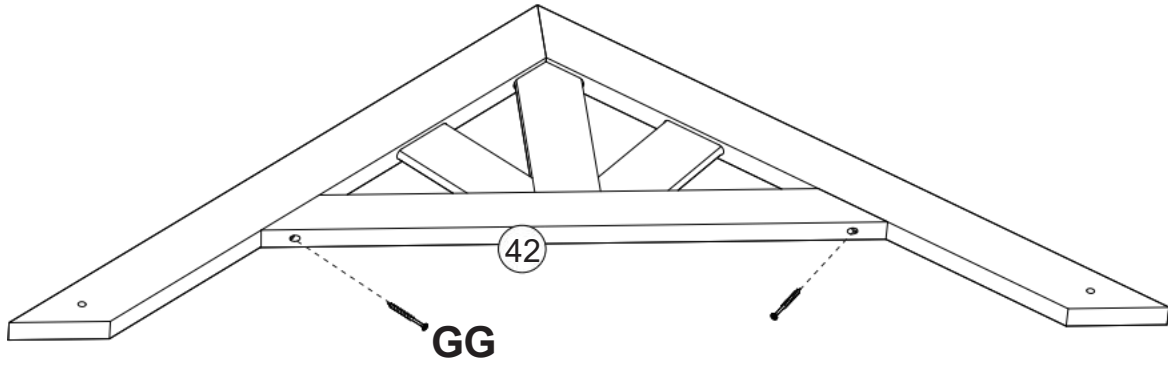
42 x 1



Step
Étape
Paso
47 x 2

42 x 1

G x 2

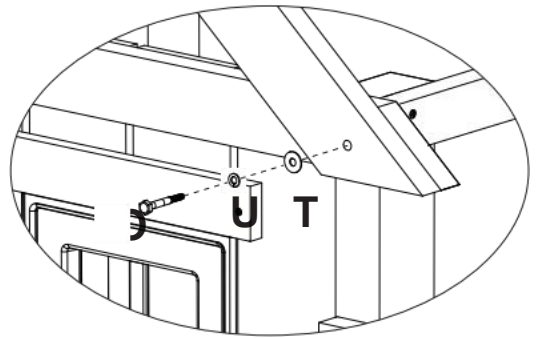
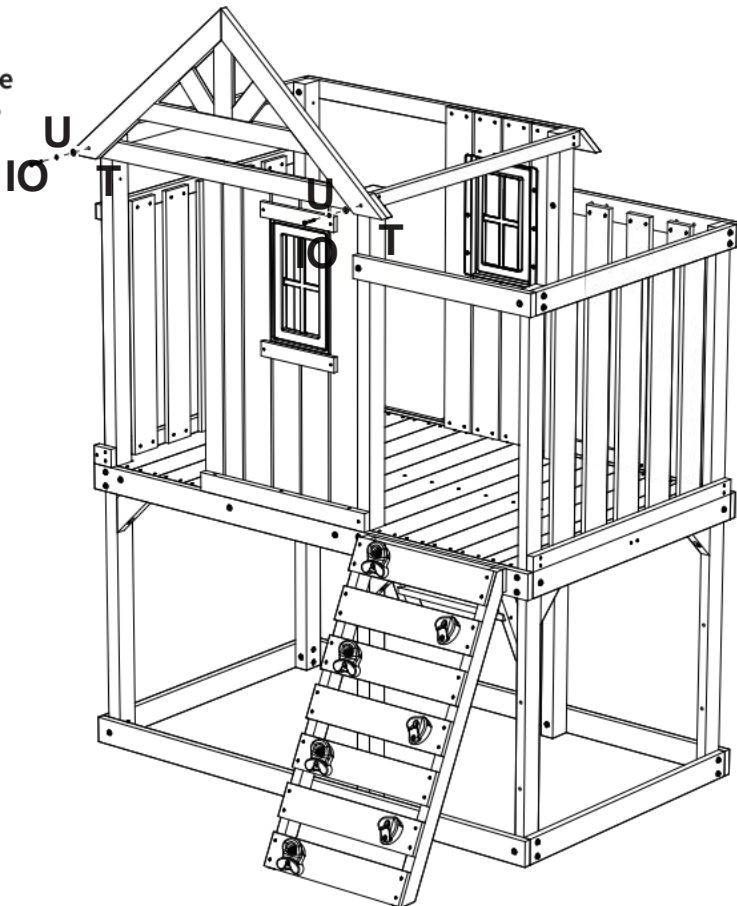


Step
Étape
Paso
48

10 x 2

T x 2

U x 2



Step
Étape
Paso

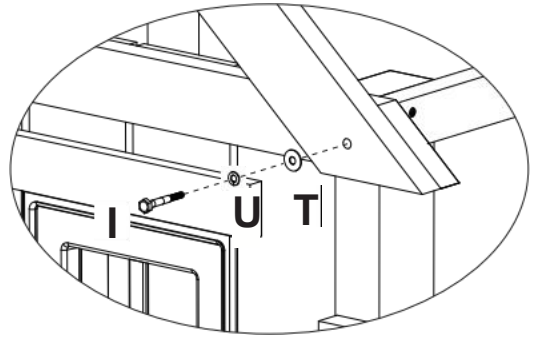
49



ⓐ x 2

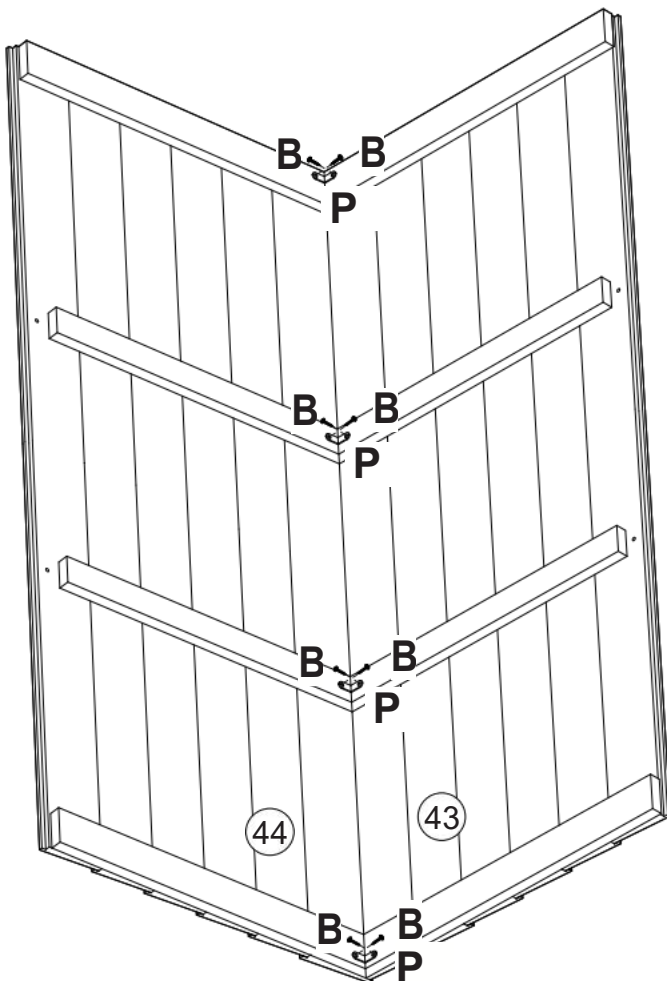
ⓑ x 2

ⓒ x 2



Step
Étape
Paso

50

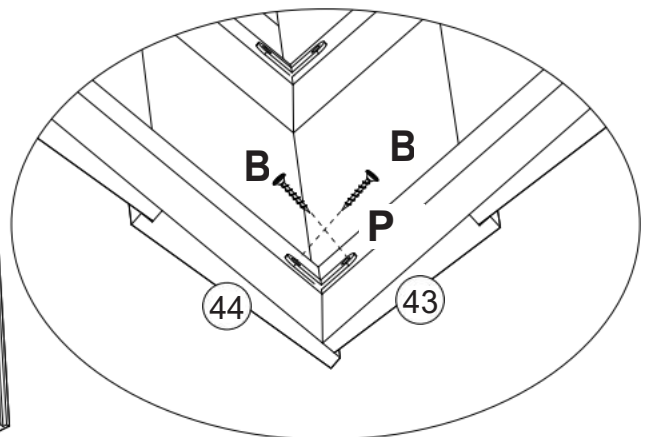


Ⓓ x 1

Ⓔ x 1

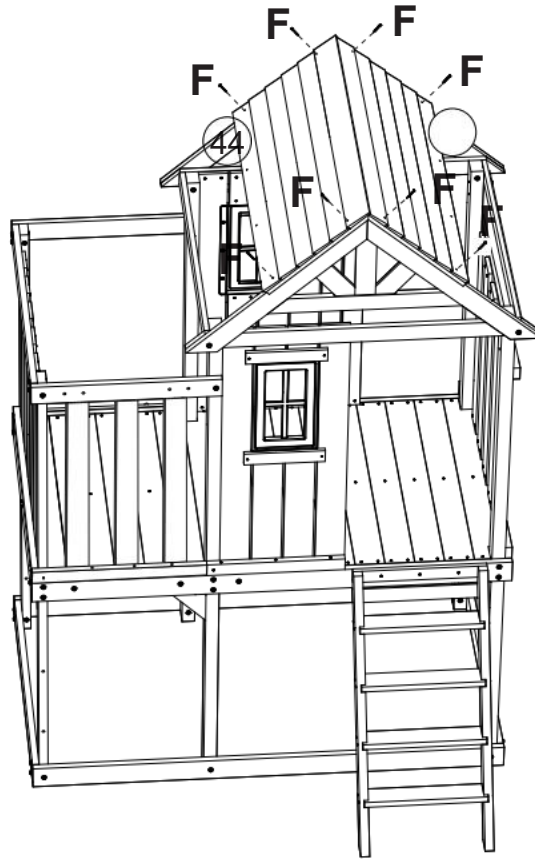
ⓓ x 8

ⓔ x 4



Step
Étape
Paso

51



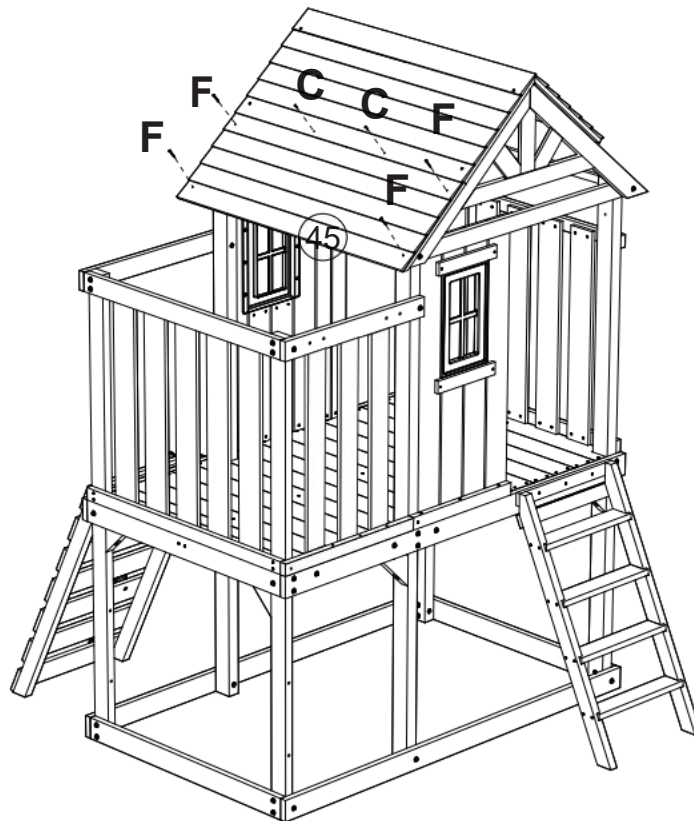
43 x 1

44 x 1

F x 8

Step
Étape
Paso

52



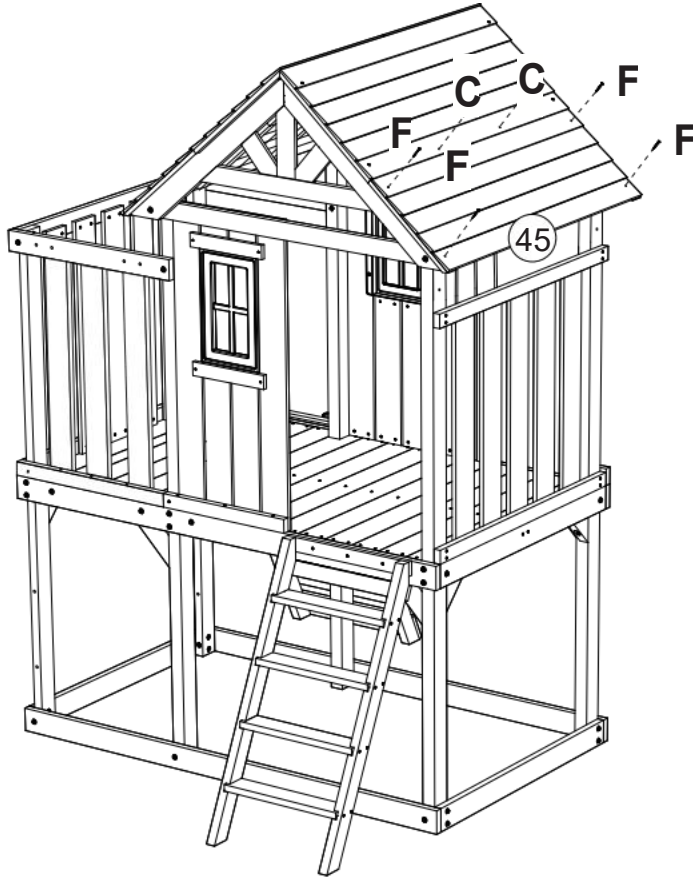
45 x 1

C x 2

F x 4

Step
Étape
Paso

53



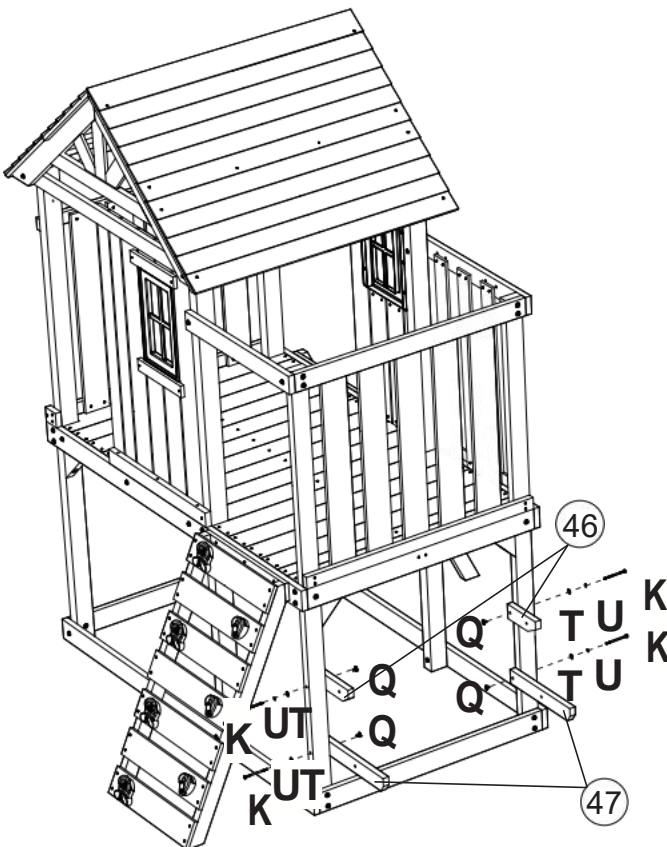
45 x 1

C x 2

F x 4

Step
Étape
Paso

54



46 x 2

47 x 2

K x 4

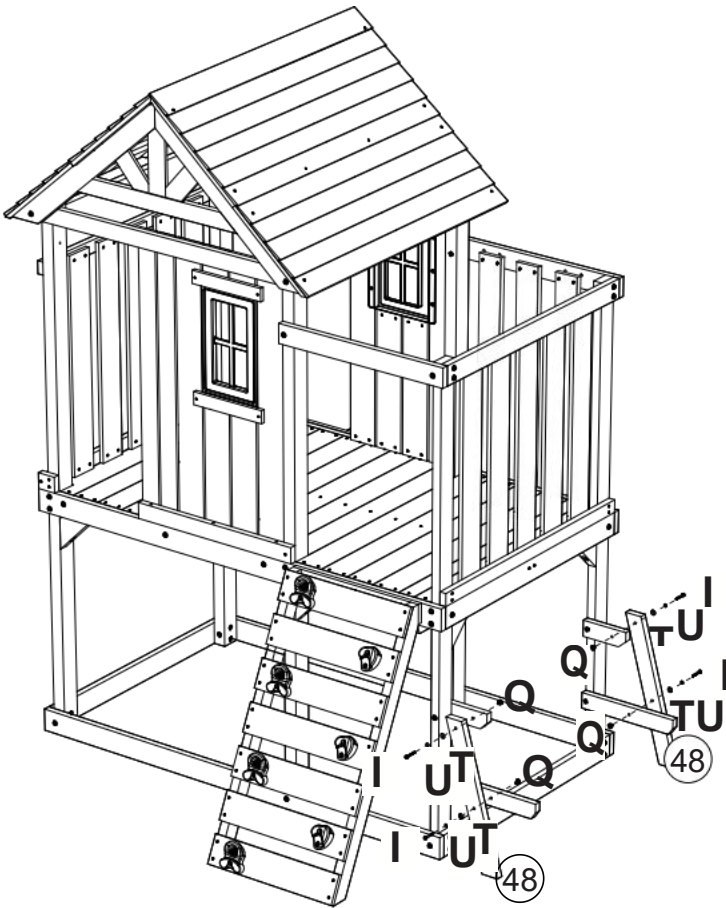
Q x 4

T x 4

U x 4

Step
Étape
Paso

55



48 x 2

I Q x 4

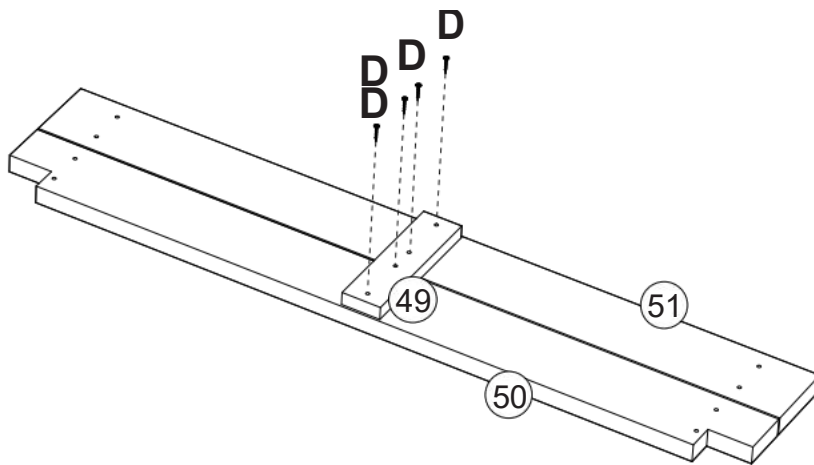
Q x 4

T x 4

U x 4

Step
Étape
Paso

56



49 x 1

50 x 1

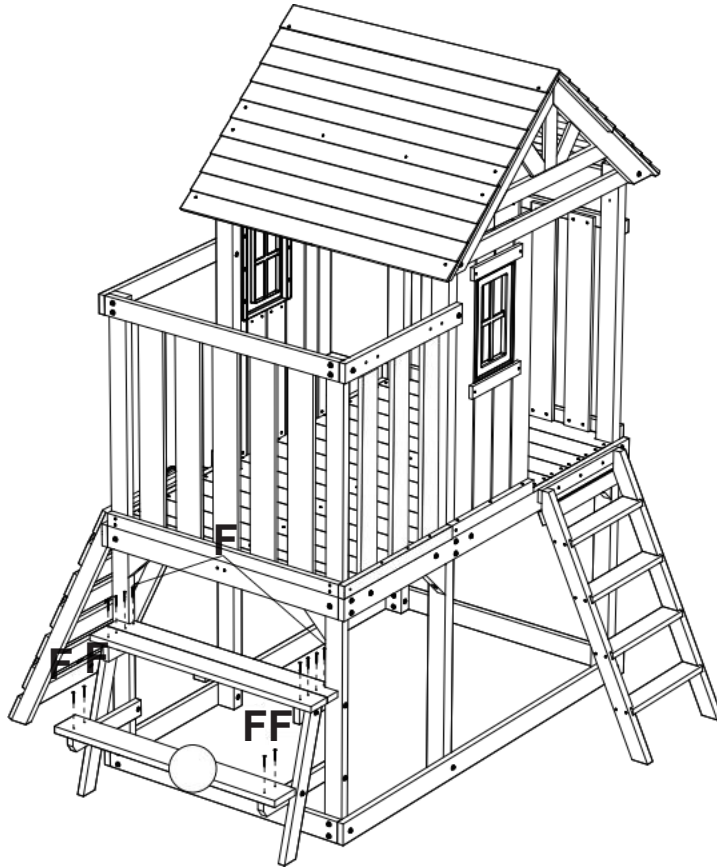
51 x 1

D x 4



Step
Étape
Paso

57



52 x 1

F x 12

Step
Étape
Paso

58

53 x 2

54 x 1

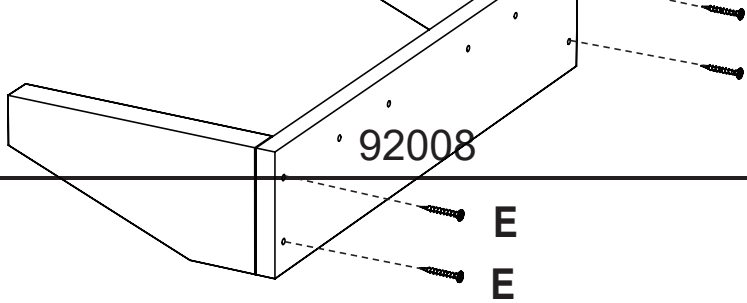
E x 4

53

53

54

E
E

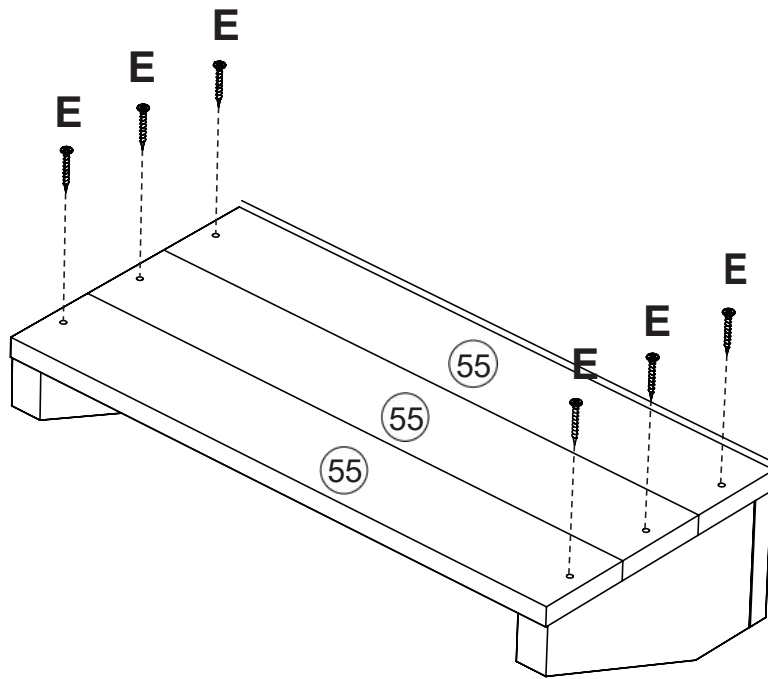


Step
Étape
Paso

59

55 x 3

E x 6

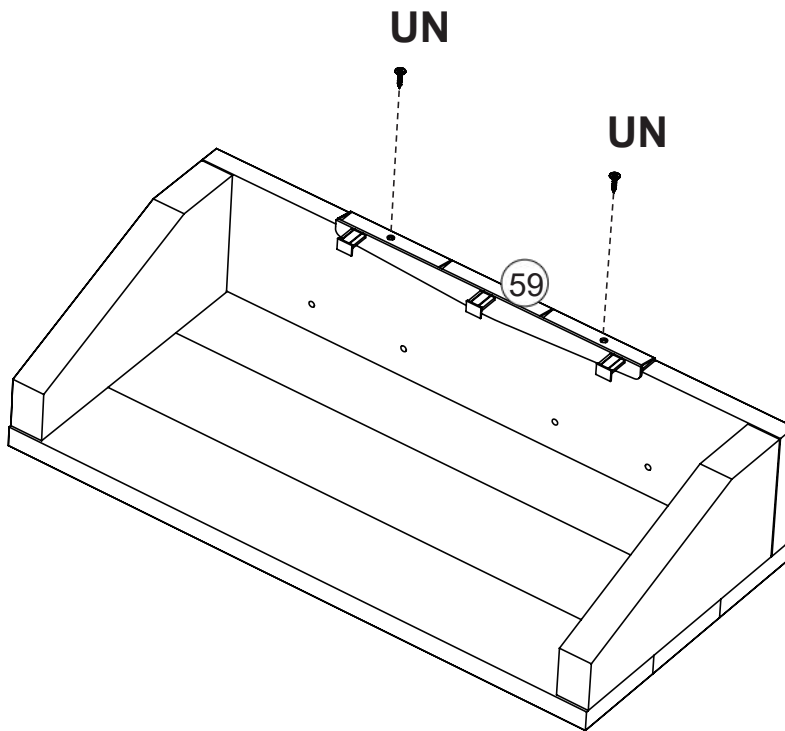


Step
Étape
Paso

60

59 x 1

A x 2



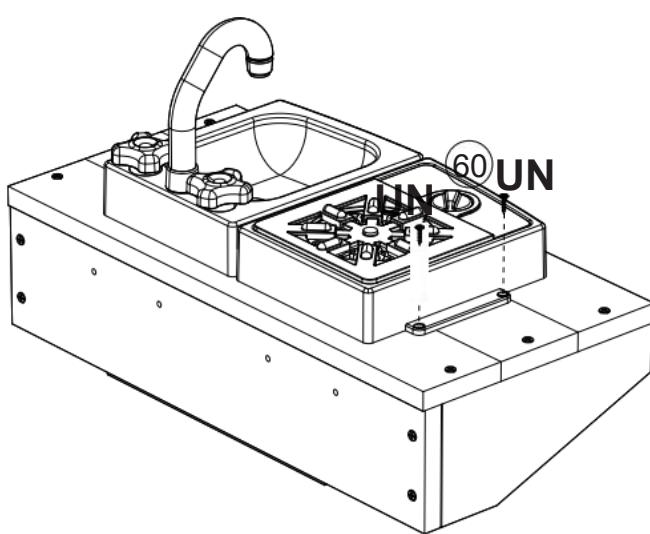
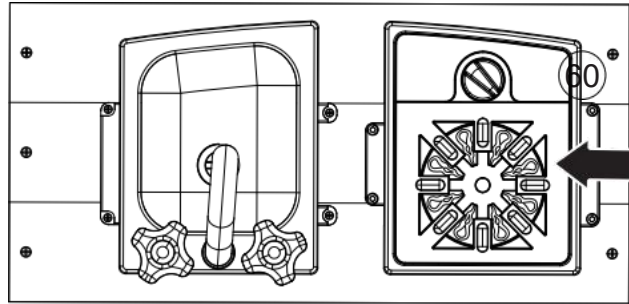
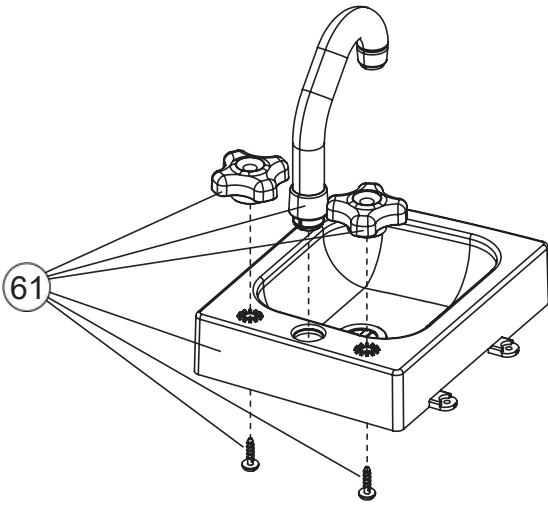
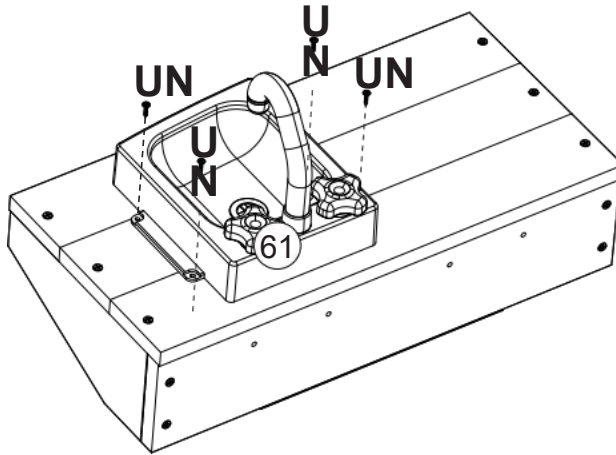
Step
Étape
Paso

61

60 x 1

61 x 1

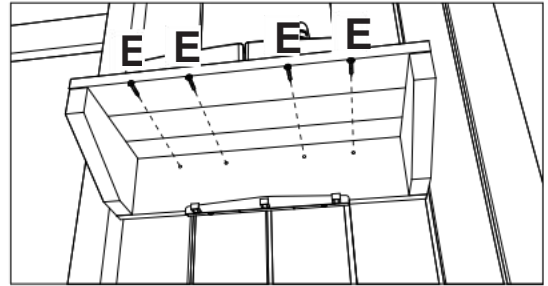
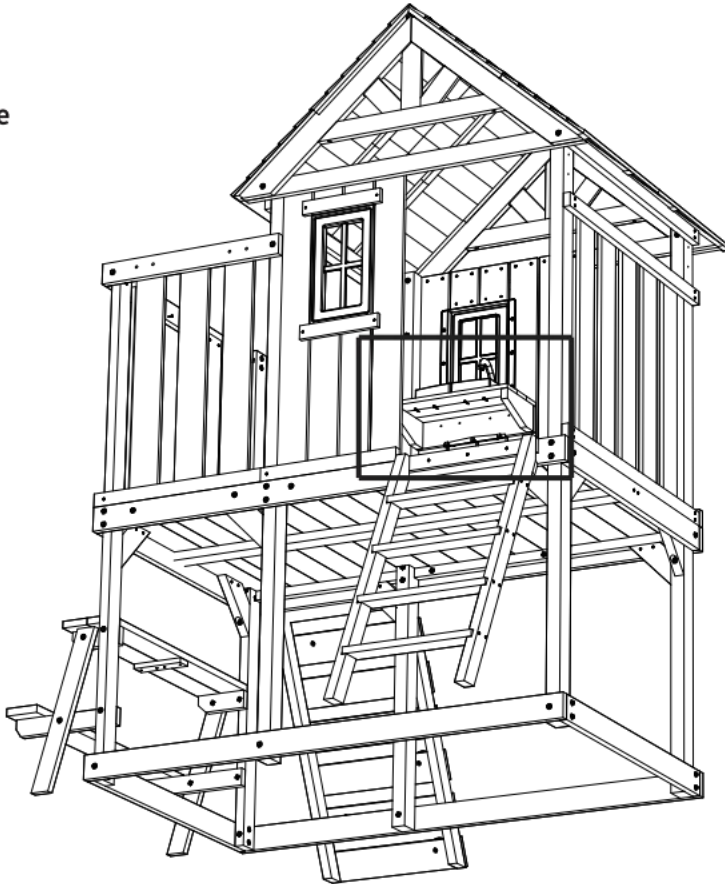
A x 6



Ⓔ x 4

Step
Étape
Paso

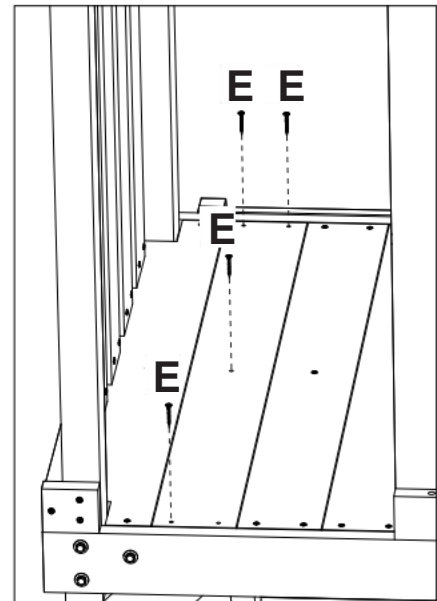
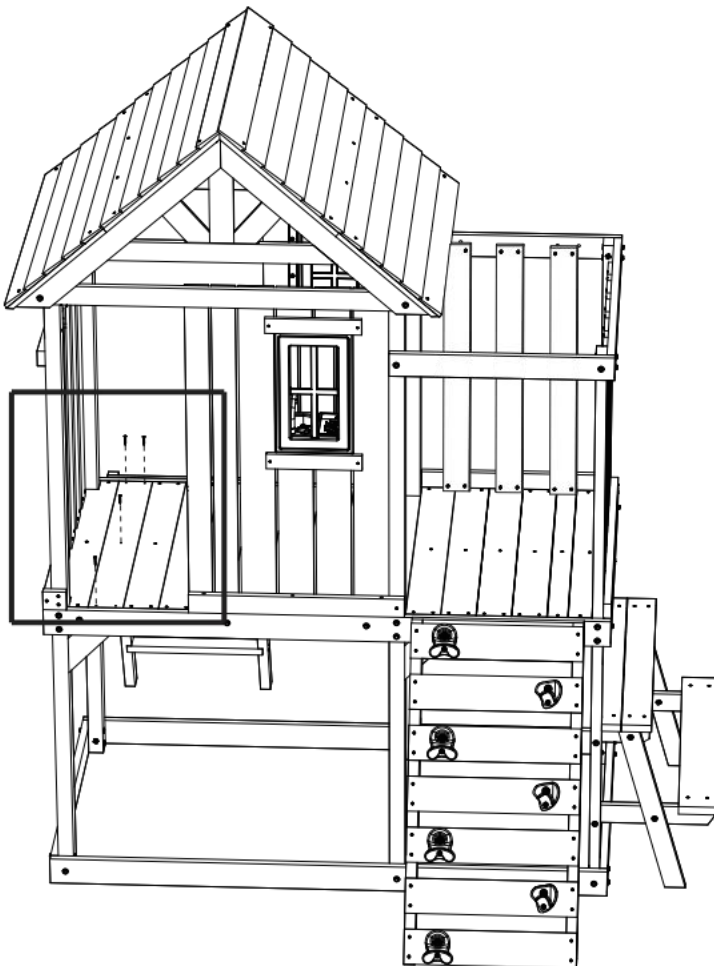
62



Ⓔ x 4

Step
Étape
Paso

63



Step
Étape
Paso

64



62 x 1

F x 2

S x 2

Step
Étape
Paso

65

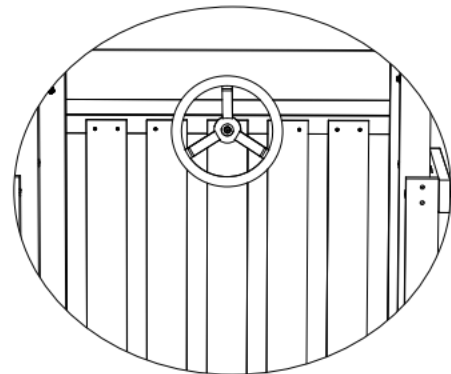
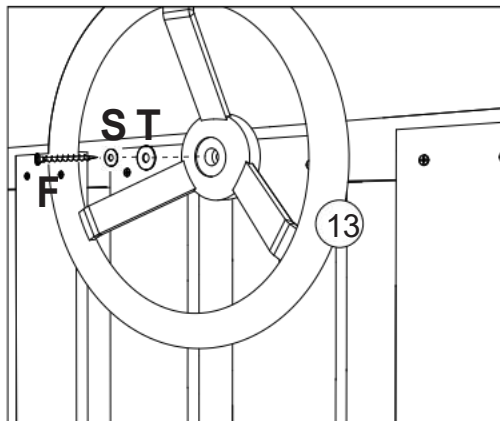


13 x 1

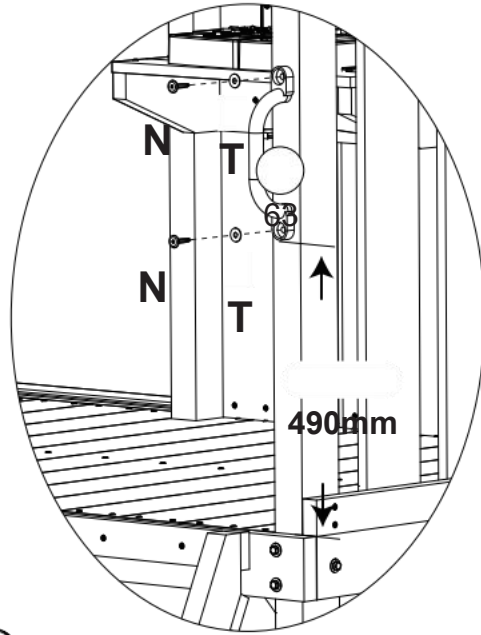
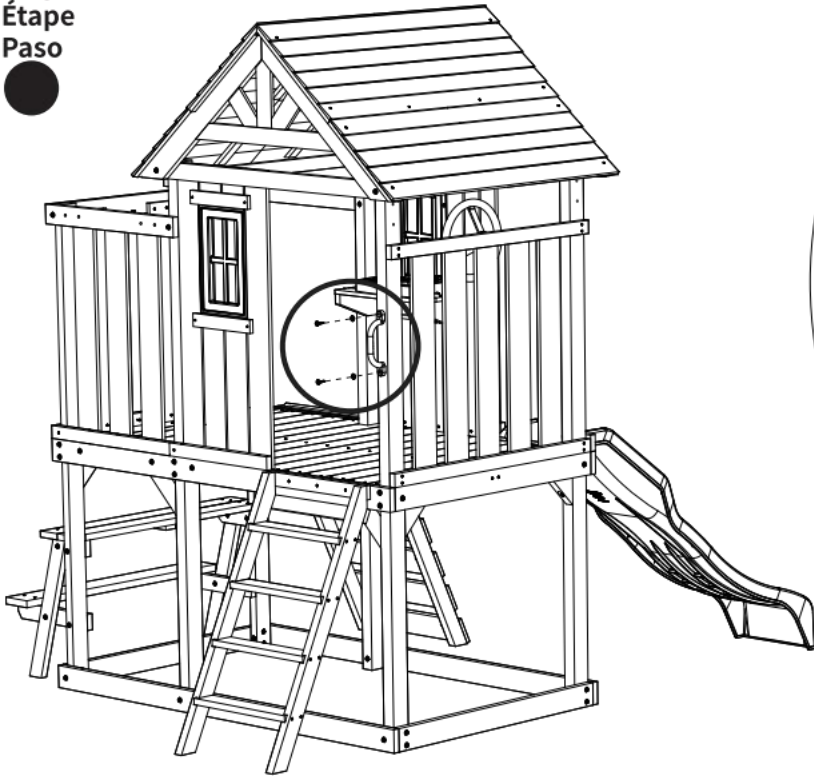
F x 1

S x 1

T x 1



Step
Étape
Paso

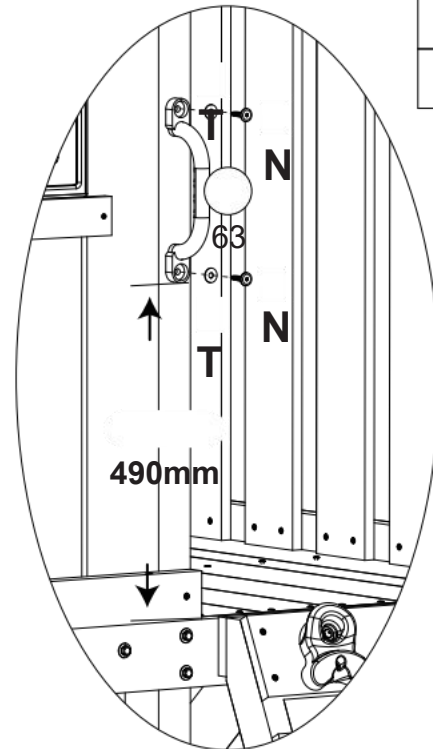


63X

1 N x

2
T x 2

Step
Étape
Paso



○

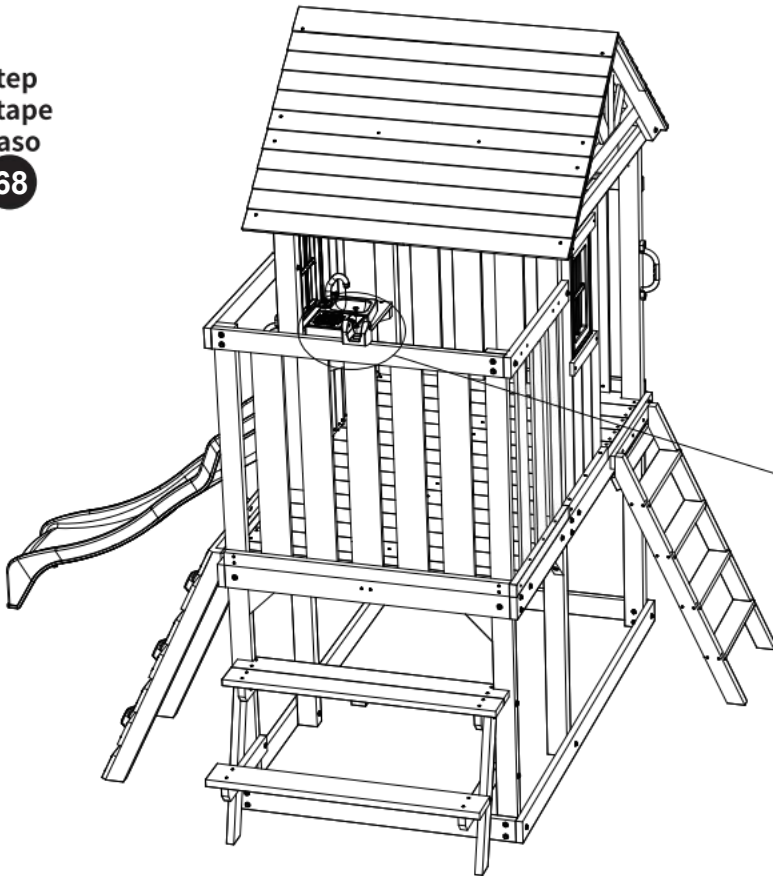
63 x 1

N x 2

T x 2

Step
Étape
Paso

68

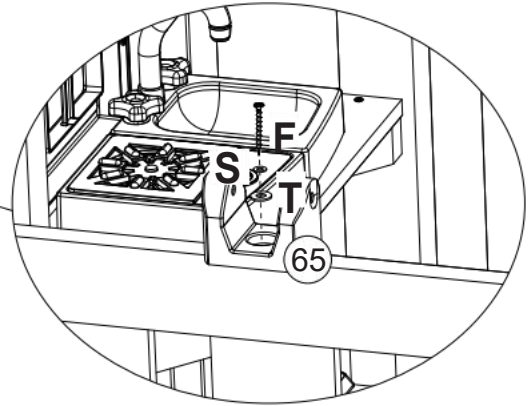


65 x 1

F x 1

S x 1

T x 1

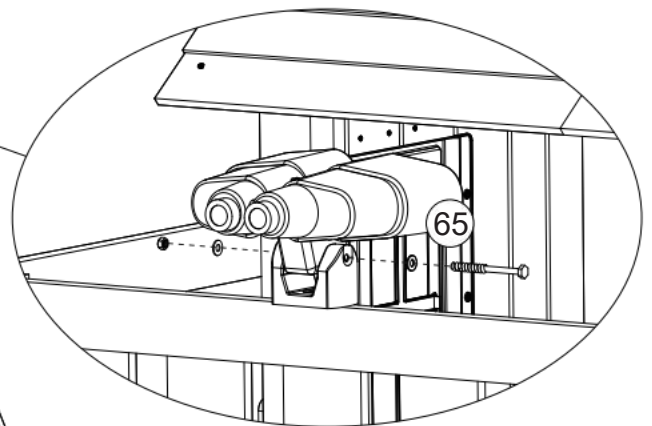


Step
Étape
Paso

69



65 x 1



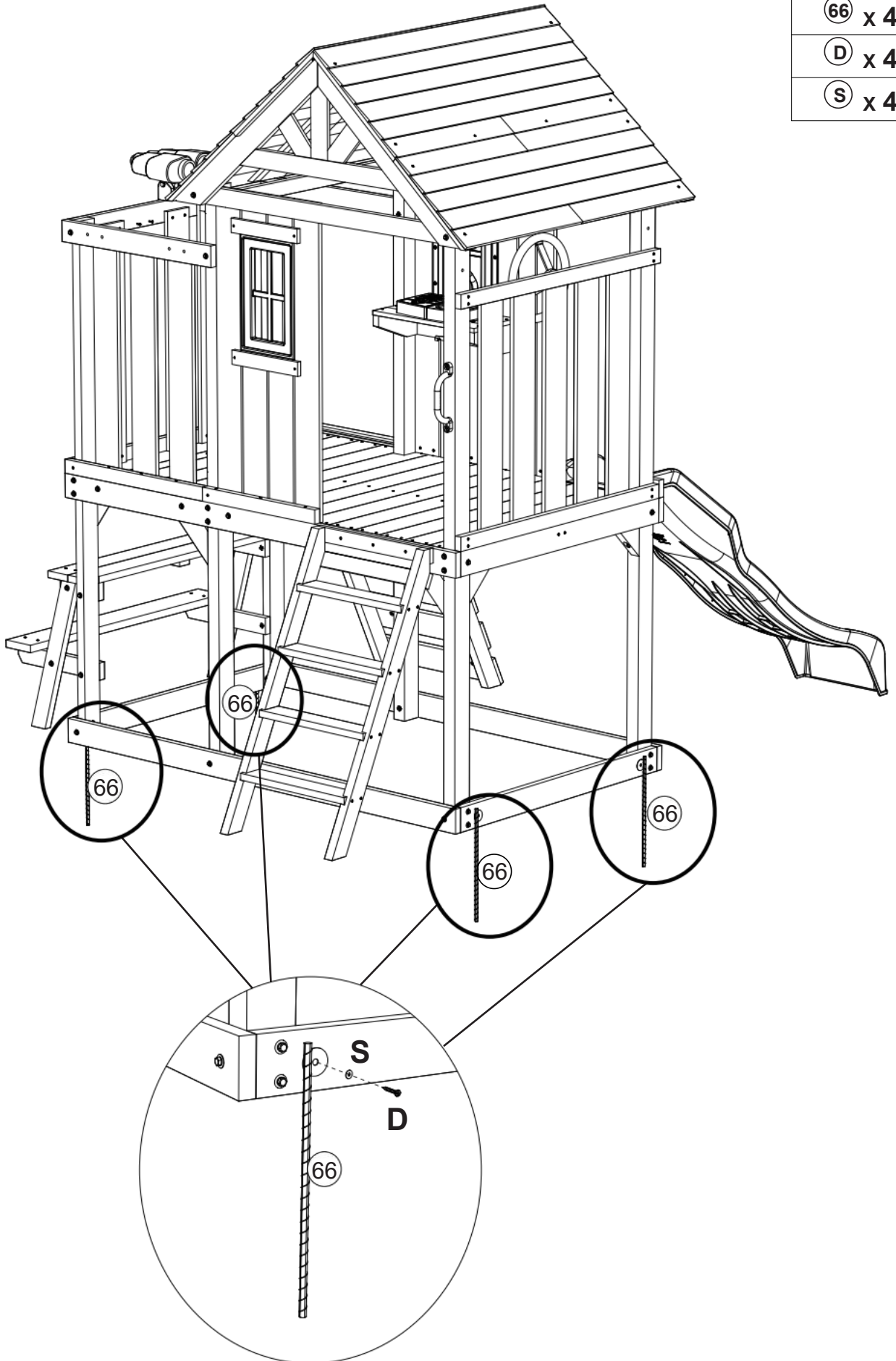
Step
Étape
Paso

70

66 x 4

D x 4

S x 4



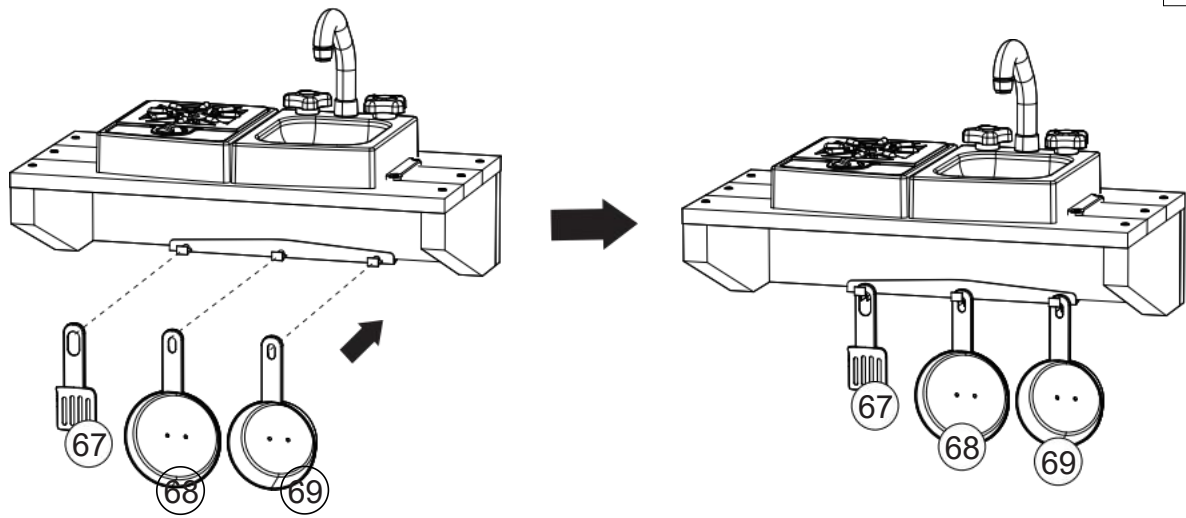
Step
Étape
Paso

71

67 x 1

68 x 1

69 x 1



MAINTENANCE

1. Clean and disinfect your product frequently to keep it clean and hygienic.
2. Check the reliability of the parts before use.

Manufacturer: Heze Jingran Woodware Co., Ltd.

Address: Zhuangzhai Town Industrial Park, Cao County, Shandong Province

EC REP: E-CrossStu GmbH.

Mainzer Landstr.69, 60329 Frankfurt am Main.

UK REP: YH CONSULTING LIMITED.

C/O YH Consulting Limited Office 147, Centurion House, London Road, Staines-upon-Thames, Surrey, TW18 4AX

Imported to AUS: SIHAO PTY LTD.

1 ROKEVA STREETEASTWOOD NSW 2122 Australia

Imported to USA: Sanven Technology Ltd.

Suite 250, 9166 Anaheim Place, Rancho Cucamonga, CA 91730

VEVOR®

STRUMENTI RESISTENTI, METÀ PREZZO

**Supporto tecnico e Certificato di garanzia
elettronica www.vevor.com/support**

VEVOR^R

TOUGH TOOLS. HALF PRICE

Wsparcie techniczne i Certyfikat e-gwarancji www.vevor.com/support

KABINA TEATR

MODEL:TLG92008

W dalszym ciągu jesteśmy zobowiązani do zapewnienia Państwu narzędzia z konkurencyjny cena.

"Ratować Połowa", „Połowa ceny” lub inne podobne wyrażenia używany przez tylko my reprezentuje jakiś oszacowanie oszczędności , jakie możesz zyskać na zakupie niektórzy narzędzia z nas porównane Do the główny szczyt marki i robi to nie z pewnością oznacza pokrycie wszystkiego kategorie narzędzi oferowany przez My ty

Czy uprzejmie przypomniano, aby dokładnie sprawdzić, kiedy jesteś złożenie zamówienia z nas Jeśli jesteś faktycznie oszczędza połowę w porównaniu z czołowym kierunkiem marki.

VEVOR^R

TOUGH TOOLS, HALF PRICE

CABIN PLAYHOUSE

MODEL: TLG92008



NEED HELP? CONTACT US!

Mieć pytania dotyczące produktu? Potrzebujesz informacji technicznych wsparcie? Proszę o łatwość czuć bezpłatny Do kontakt nas:

Techniczny Wsparcie I E-Gwarancja

Certyfikat www.vevor.com/support

Ten to oryginalna instrukcja, proszę Czytać Wszystko podręcznik instrukcje

ostrożnie przed rozpoczęciem obsługi. VEVOR zastrzega sobie jasno interpretacja z nasz instrukcja obsługi. Wygląd produkt być Być temat Do the

produkt, który otrzymałeś. Wybacz nam, że tego nie zrobimy poinformować Ty Ponownie Jeśli są jakieś technologia Lub oprogramowanie aktualizacje

NA nasz produkt.

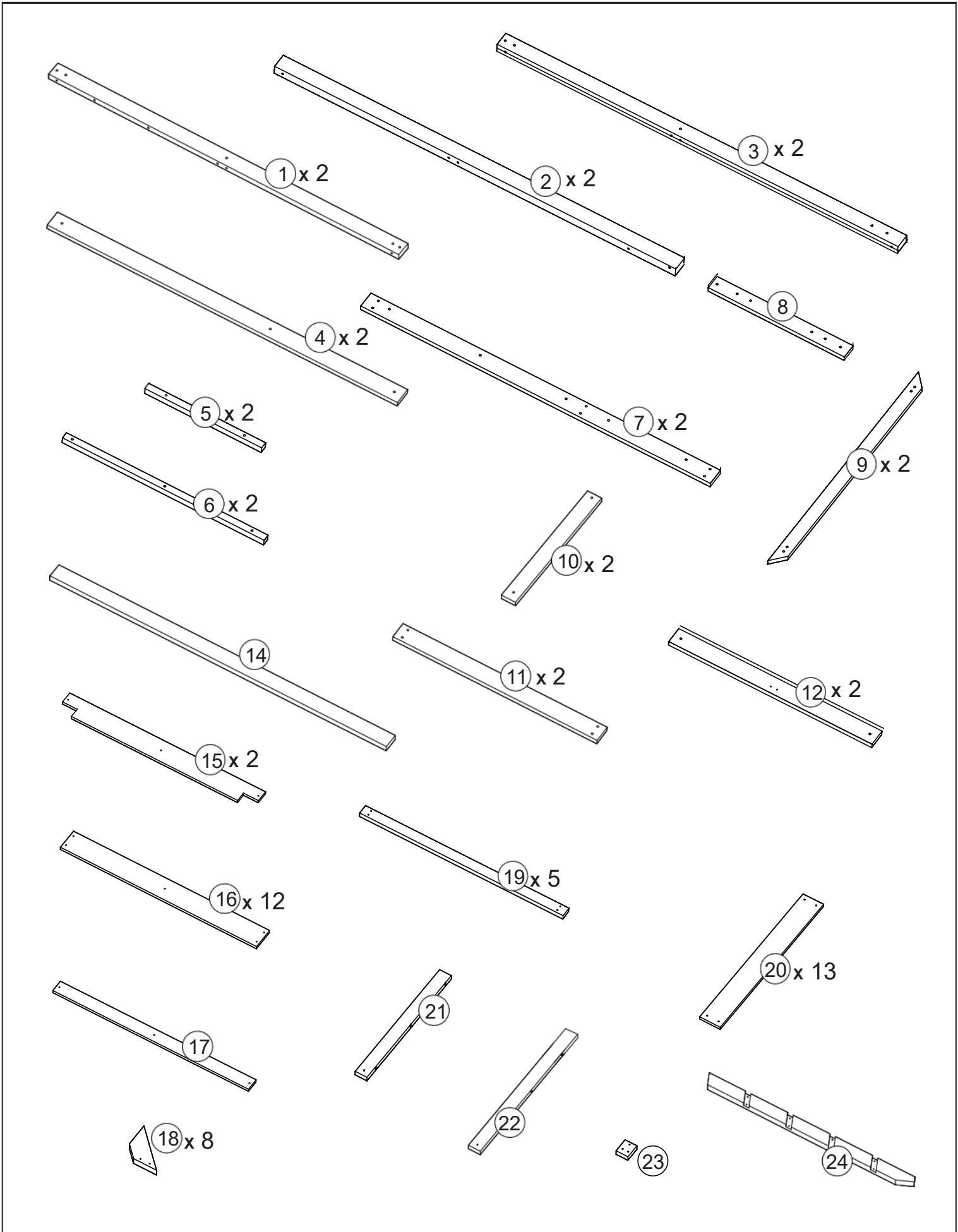
SAFETY INSTRUCTIONS

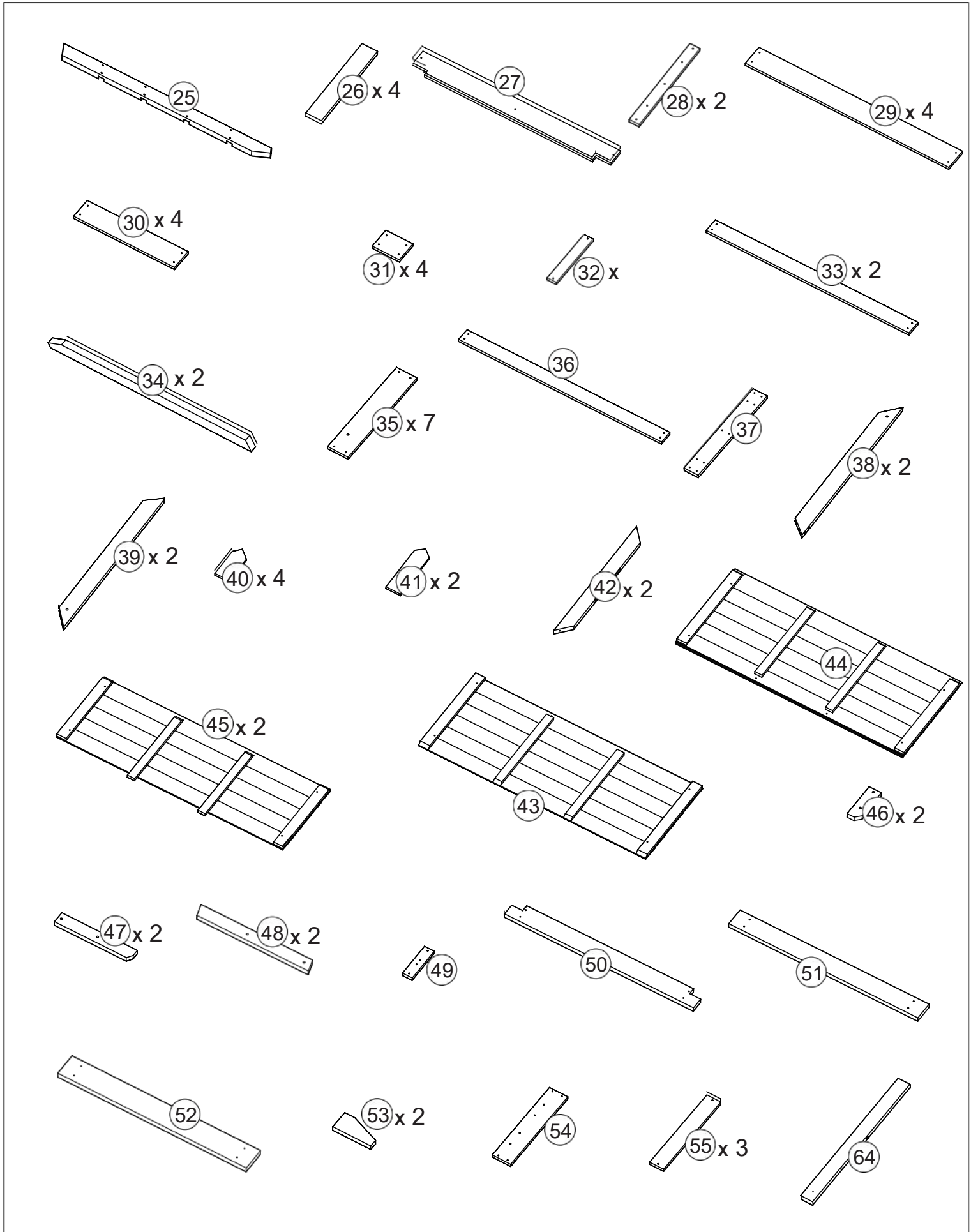
WARNING:

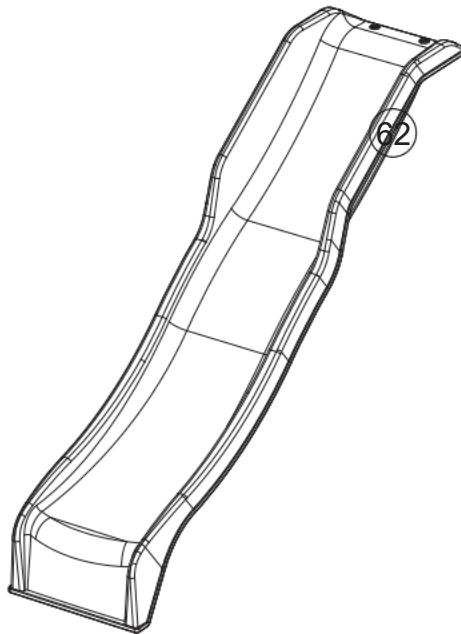
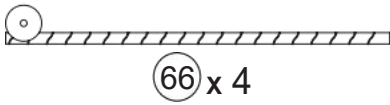
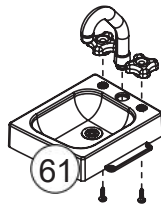
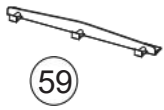
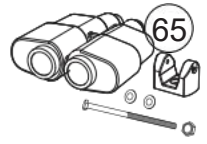
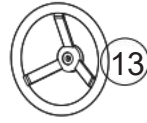
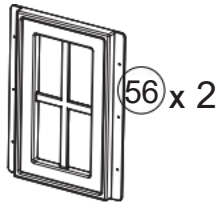
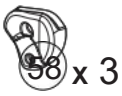
1. This manual lists the contents included in the box. Please take time to identify the hardware as well as the individual components of the product.
2. As you unpack and prepare for assembly, place the contents on a carpeted or padded area to protect them from damage.
3. Small parts present in unassembled state. It's a choking hazard!
4. Please follow the assembly instructions closely. Improper assembly can result in personal or property damage.
5. Assembled by an adult. In the process of play, parents should always accompany the children's side.
6. Do not install it in a dark, damp place.
7. Put it in a place with good ventilation.
8. Clean and disinfect your product frequently to keep it clean and hygienic.
9. Do not overload.









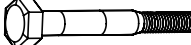
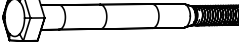
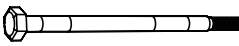
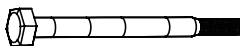

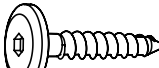
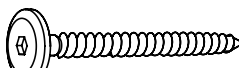
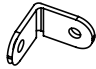
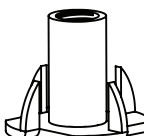
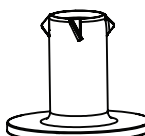
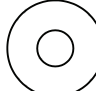
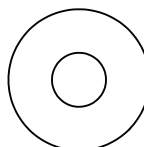
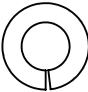
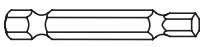
MODEL AND PARAMETERS

Model	TLG92008
Age of application	3-10 age
Product Size	2320*3100*2690mm
Material	Wood







A	x 20	B	x 8	C	x 4	D	x 39	E	x 222
									
15mm		20mm		20mm		25mm		35mm	
F	x 76	G	x 20	H	x 15	I	x 8	J	x 20
									
45mm		60mm		70mm		H2		H3	
K	x 30	L	x 6	M	x 7	N	x 4	O	x 8
									
H4		H12		PB2		WL3		WL5	
P	x 4	Q	x 64	R	x 7	S	x 24	T	x 85
									
		TN1		BN1		FW3		FW1	
U	x 71		x 1						
									
LW1		D6							

Cleaning and Care:

Clean surfaces with a dry or damp soft cloth. Do not use abrasive cleaners.

Nettoyage et Entretien:

Nettoyer les surfaces avec un chiffon doux, sec ou humide. Ne pas utiliser de nettoyeurs abrasifs.

Limpieza y Cuidado:

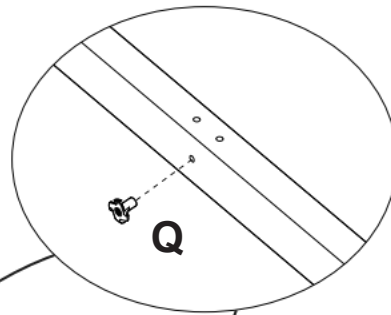
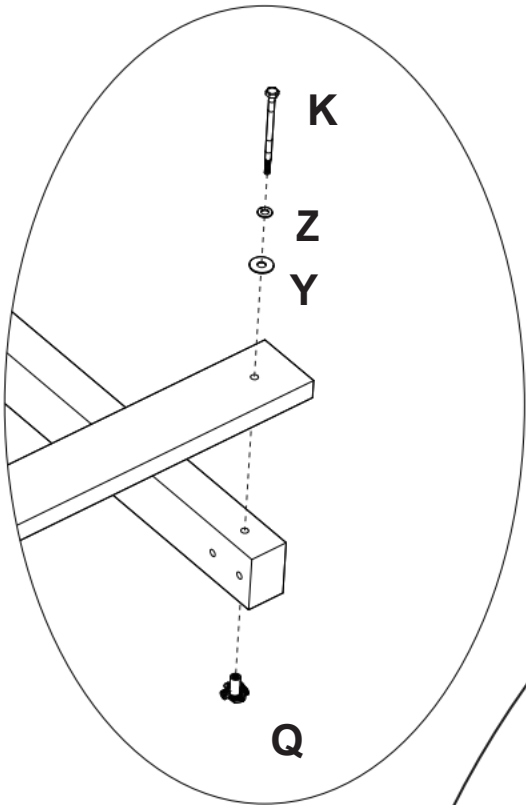
Limpie las superficies con un paño suave seco o húmedo. No use limpiadores abrasivos.

Step
Étape
Paso

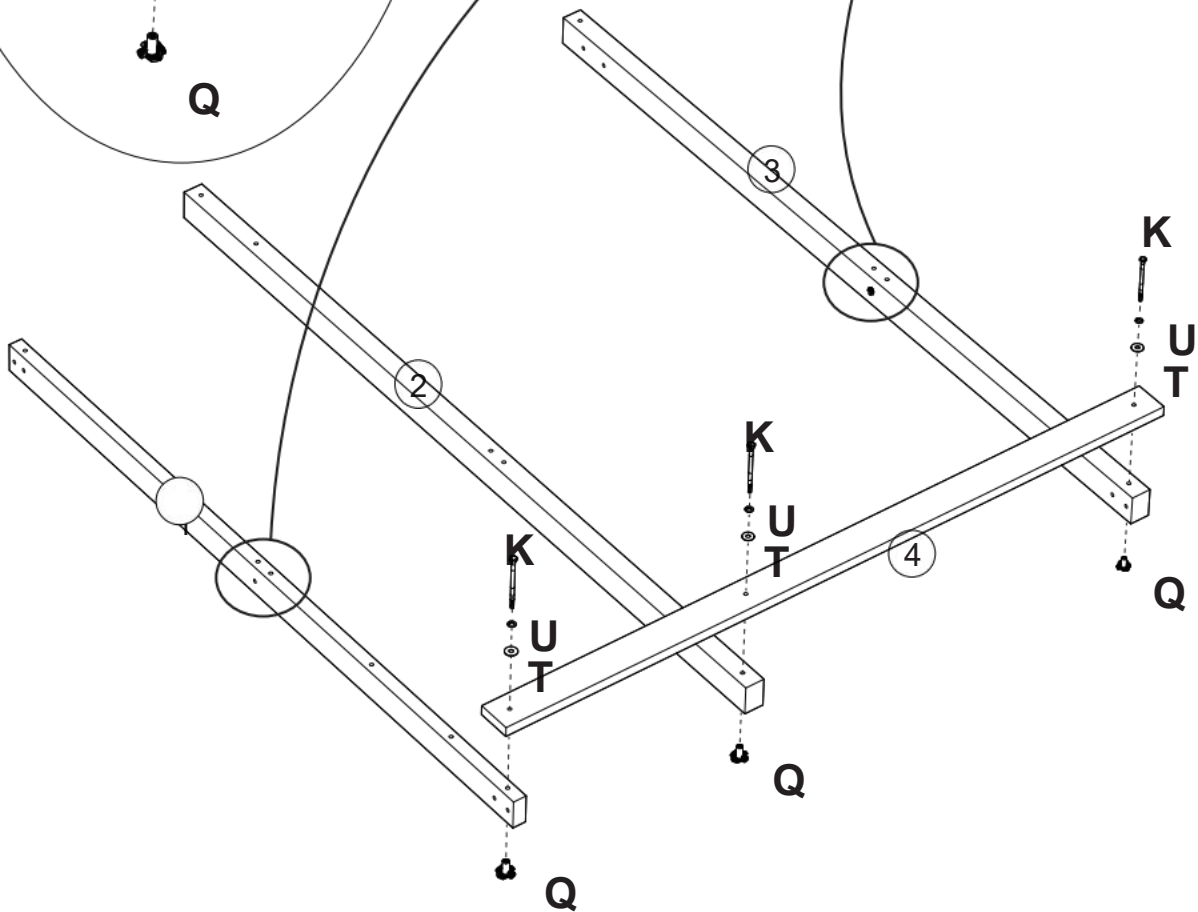
1



- ① x 1
- ② x 1
- ③ x 1
- ④ x 1
- Ⓚ x 3
- Ⓠ x 5
- Ⓣ x 3
- Ⓤ x 3

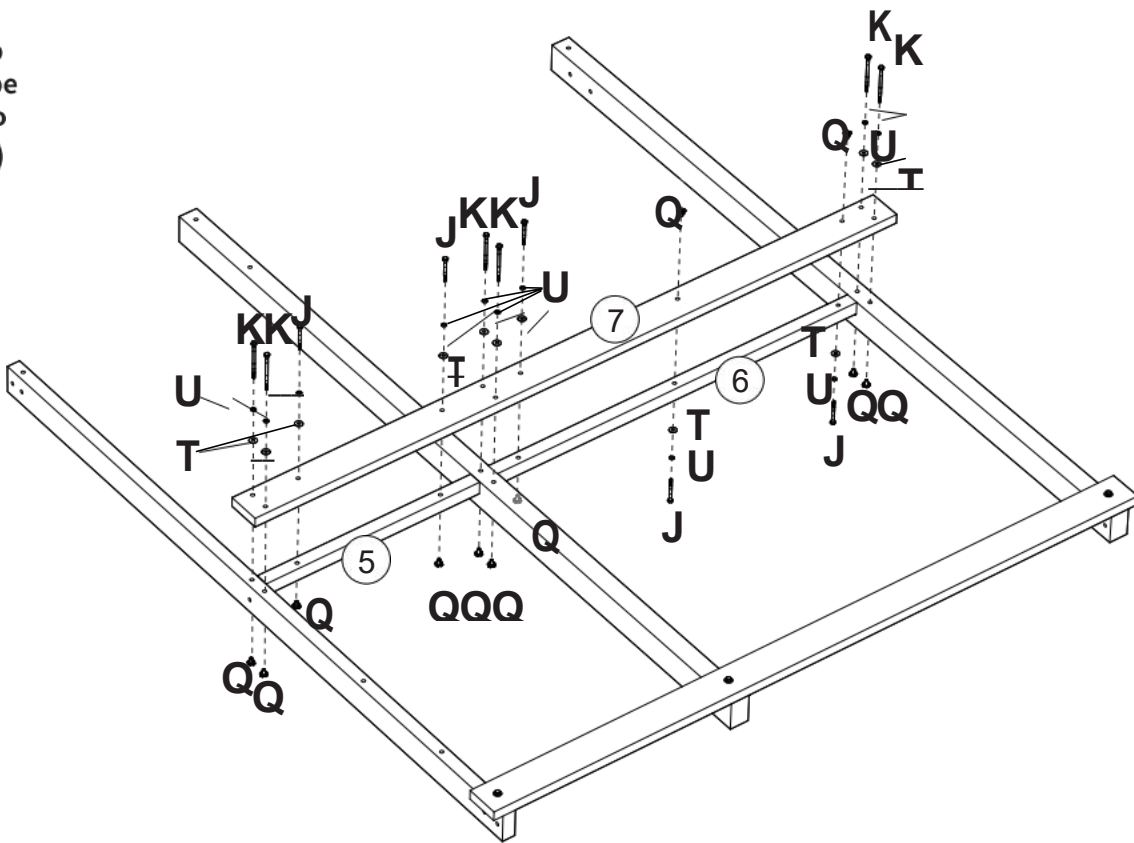


Gromadzić się T -
Najpierw orzechy
młotek !



Step
Étape
Paso

2



⑤ x 1

⑥ x 1

⑦ x 1

Ⓚ x 6

Ⓝ x 5

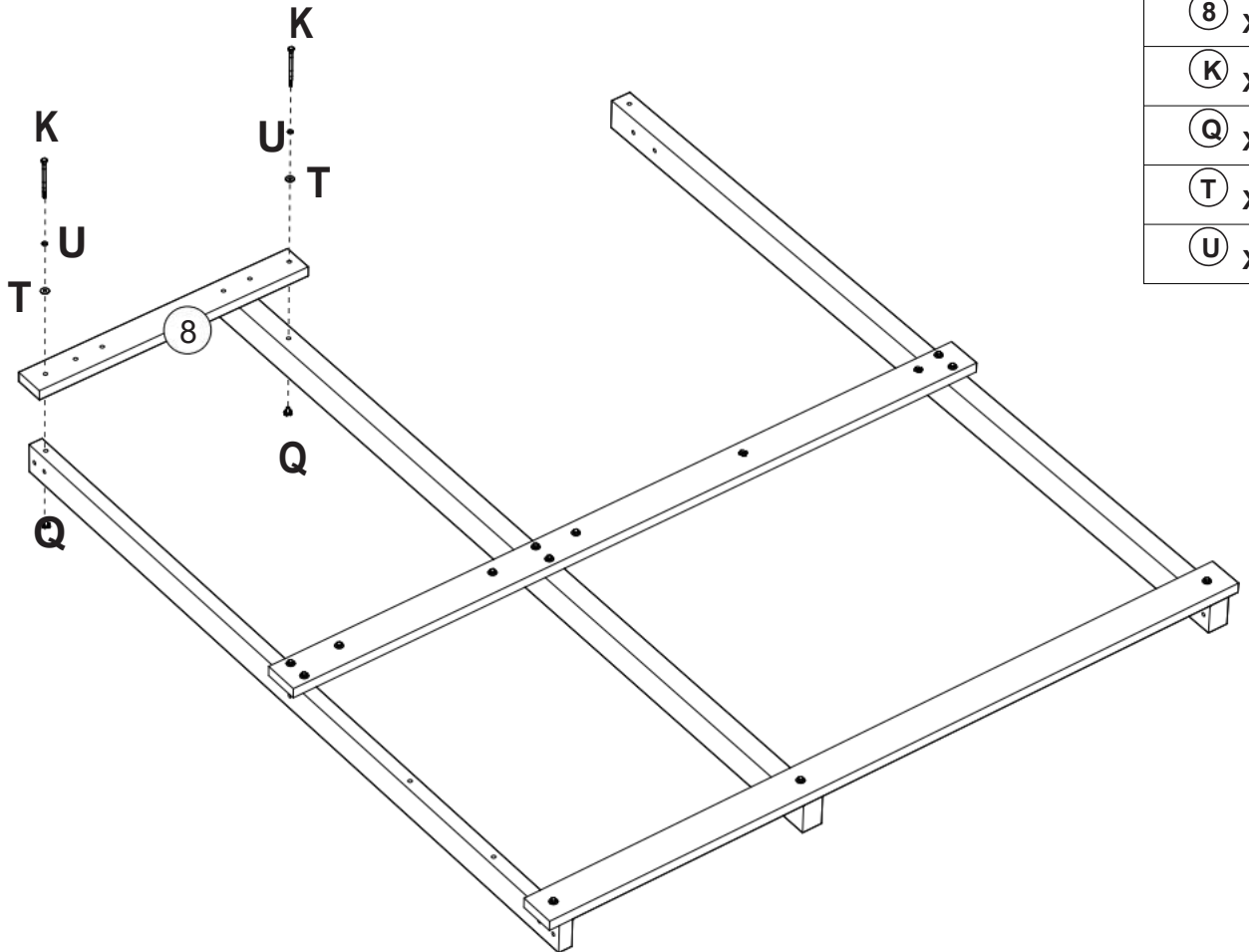
Ⓠ x 11

Ⓣ x 11

Ⓤ x 11

Step
Étape
Paso

3



⑧ x 1

Ⓚ x 2

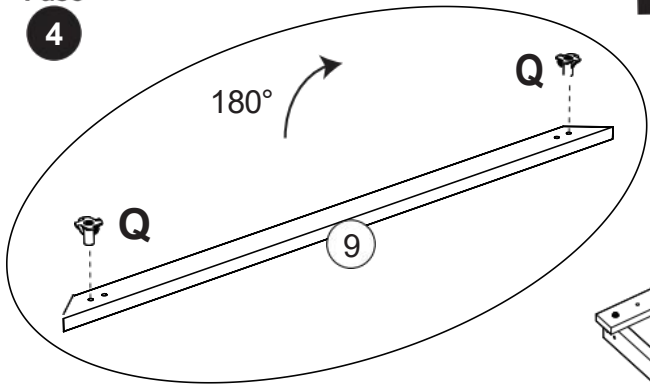
Ⓠ x 2

Ⓣ x 2

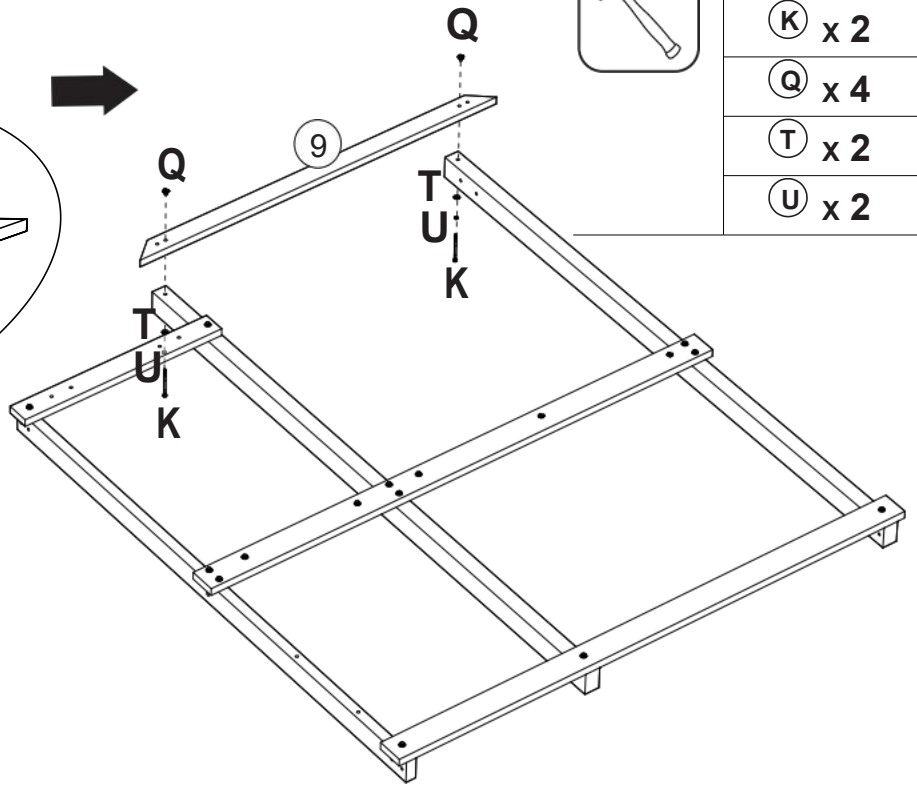
Ⓤ x 2

Step
Étape
Paso

4



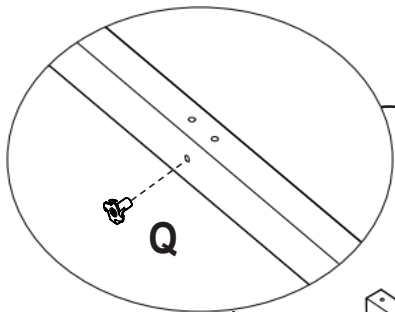
Assemble T-Nuts first with hammer!



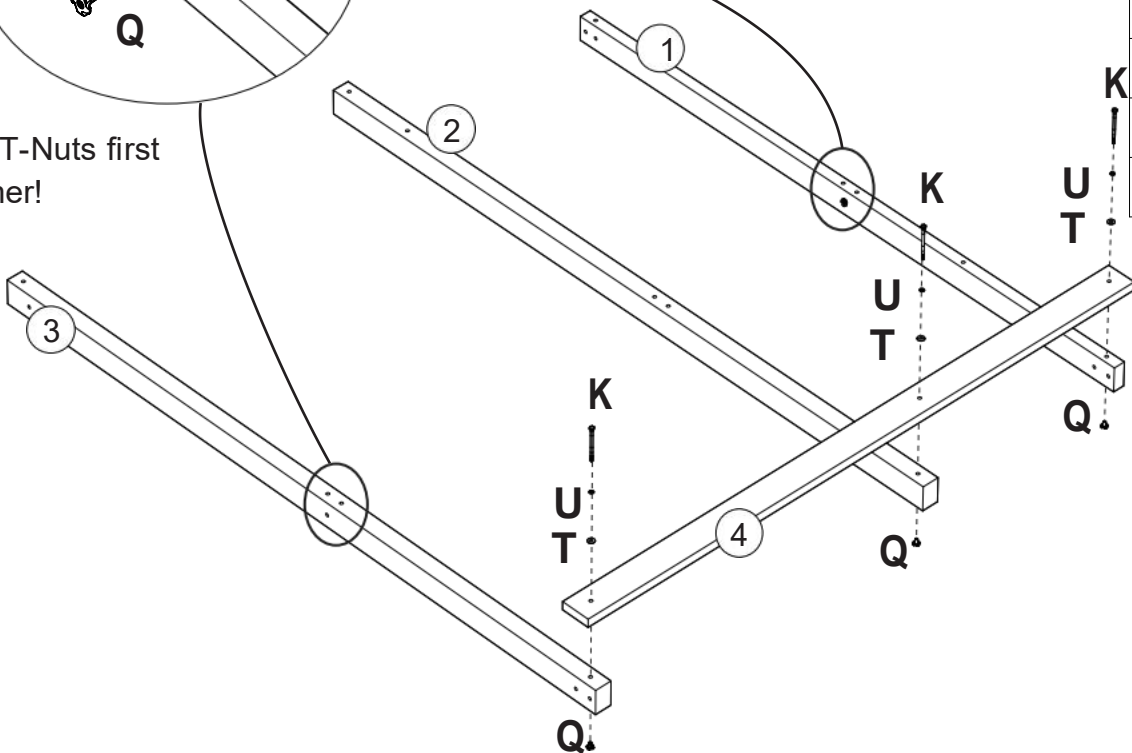
- ⑨ x 1
- Ⓚ x 2
- Ⓠ x 4
- Ⓣ x 2
- Ⓤ x 2

Step
Étape
Paso

5



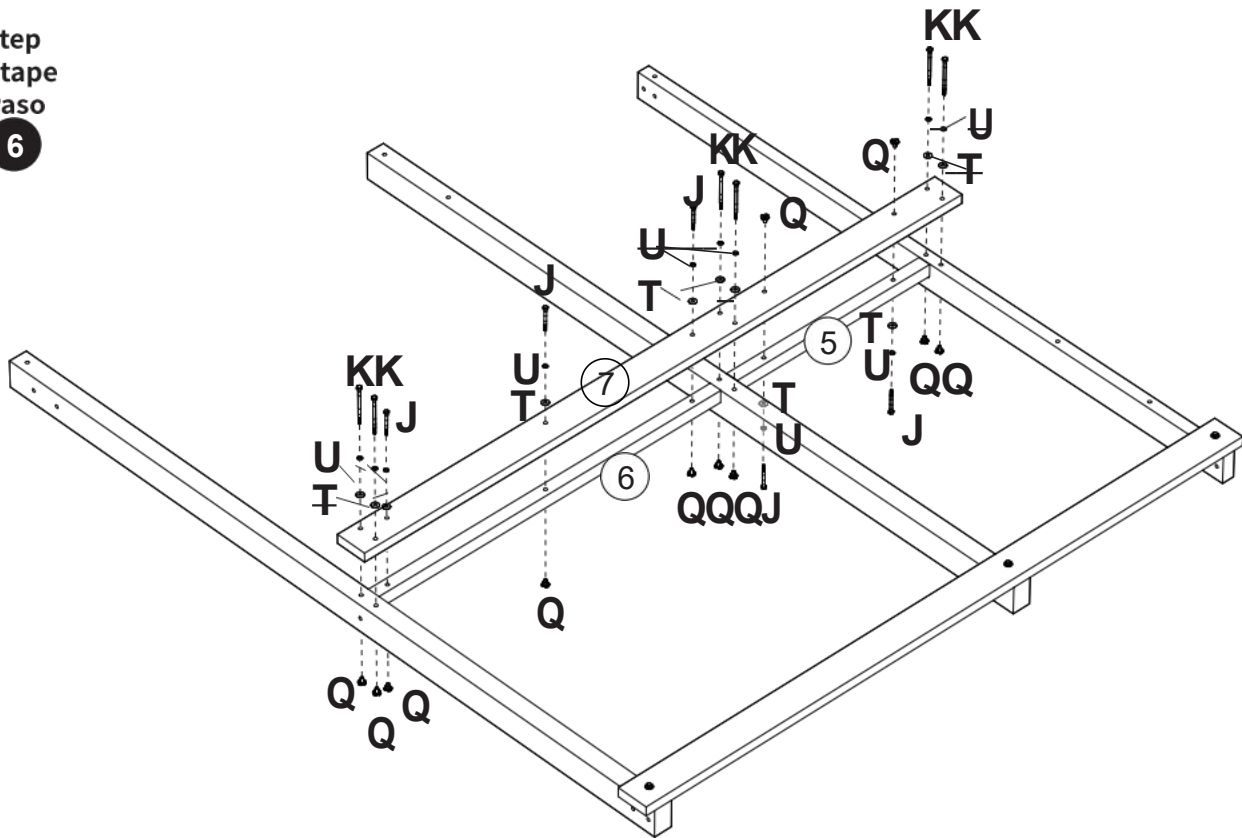
Assemble T-Nuts first with hammer!



- ① x 1
- ② x 1
- ③ x 1
- ④ x 1
- Ⓚ x 3
- Ⓠ x 5
- Ⓣ x 3
- Ⓤ x 3

Step
Étape
Paso

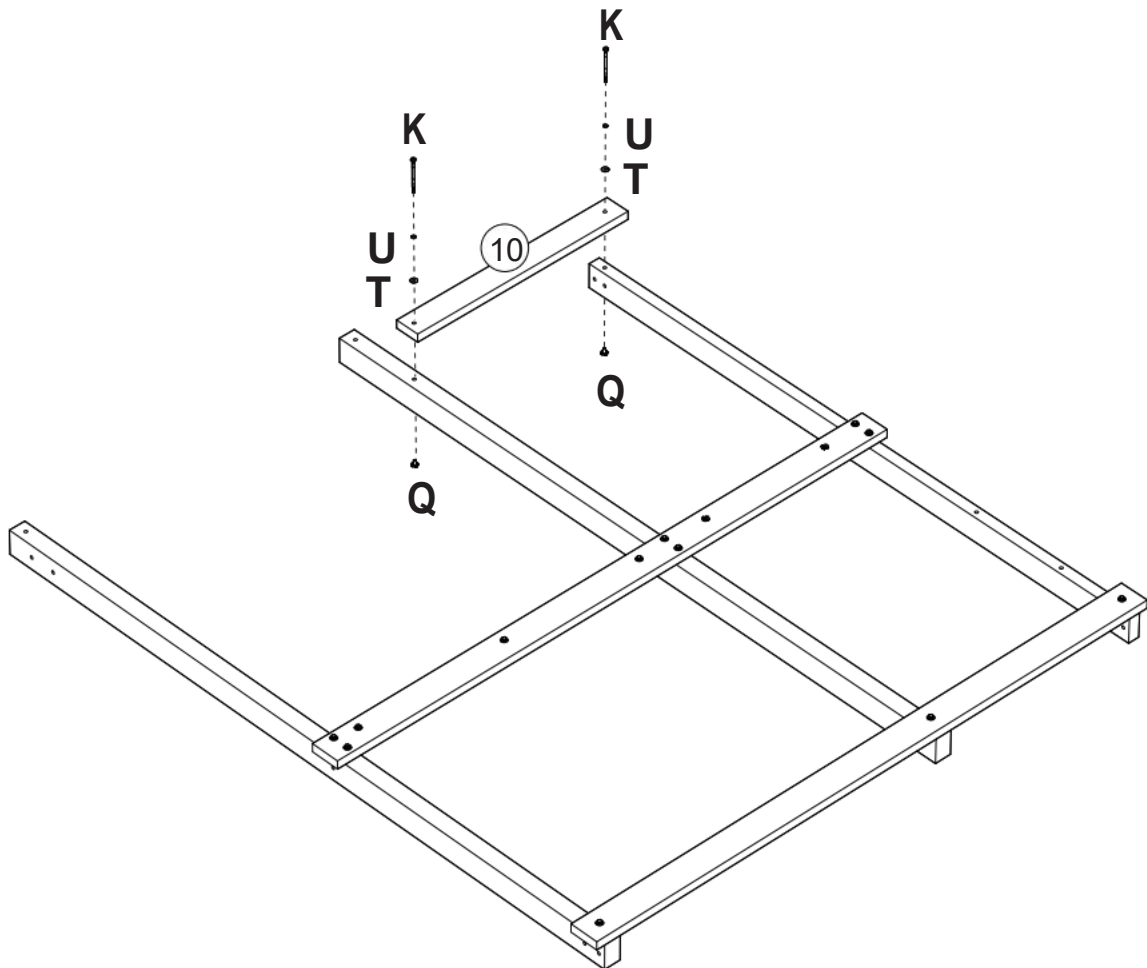
6



- ⑤ x 1
- ⑥ x 1
- ⑦ x 1
- Ⓚ x 6
- Ⓝ x 5
- Ⓠ x 11
- Ⓣ x 11
- Ⓤ x 11

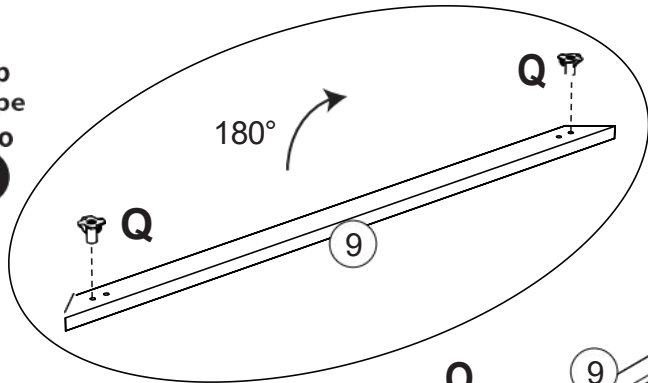
Step
Étape
Paso

7

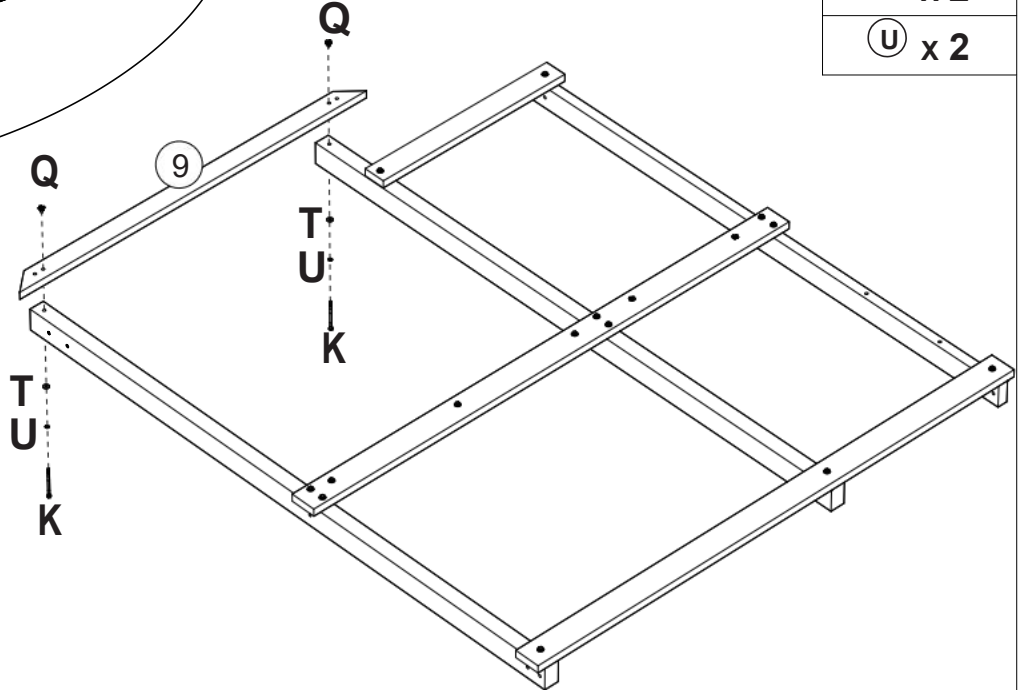


- ⑩ x 1
- Ⓚ x 2
- Ⓠ x 2
- Ⓣ x 2
- Ⓤ x 2

Step
Étape
Paso
8

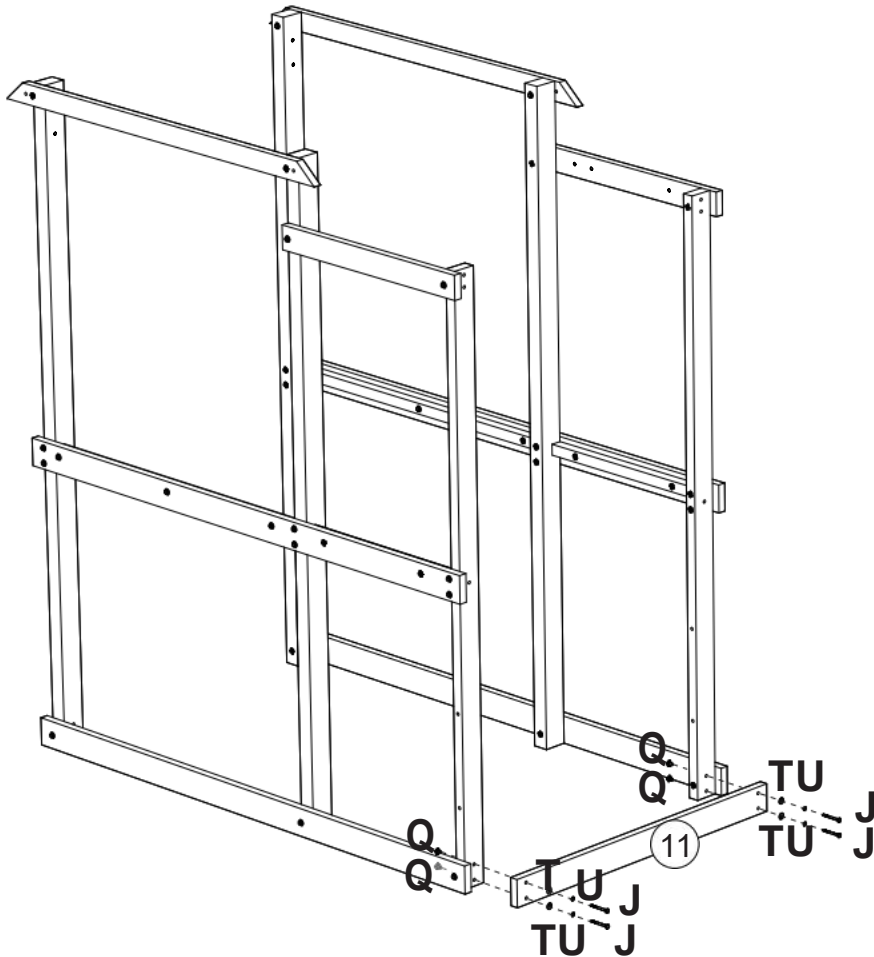


Assemble T-Nuts first
with hammer!



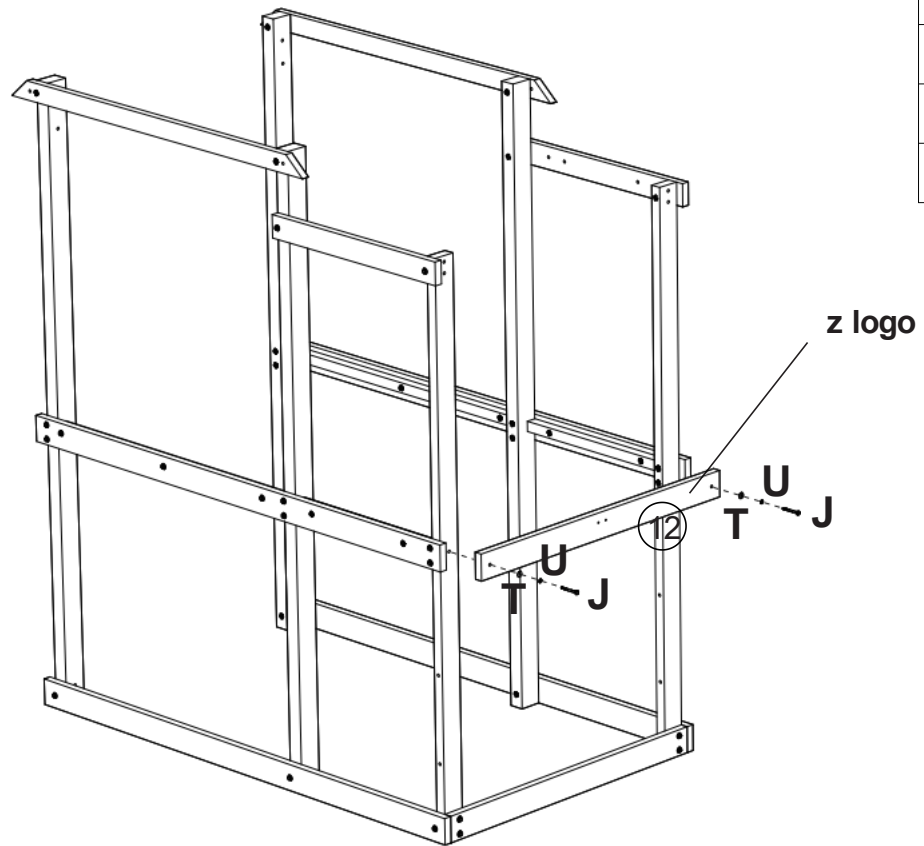
- ⑨ x 1
- Ⓚ x 2
- Ⓚ x 4
- Ⓣ x 2
- Ⓤ x 2

Step
Étape
Paso
9



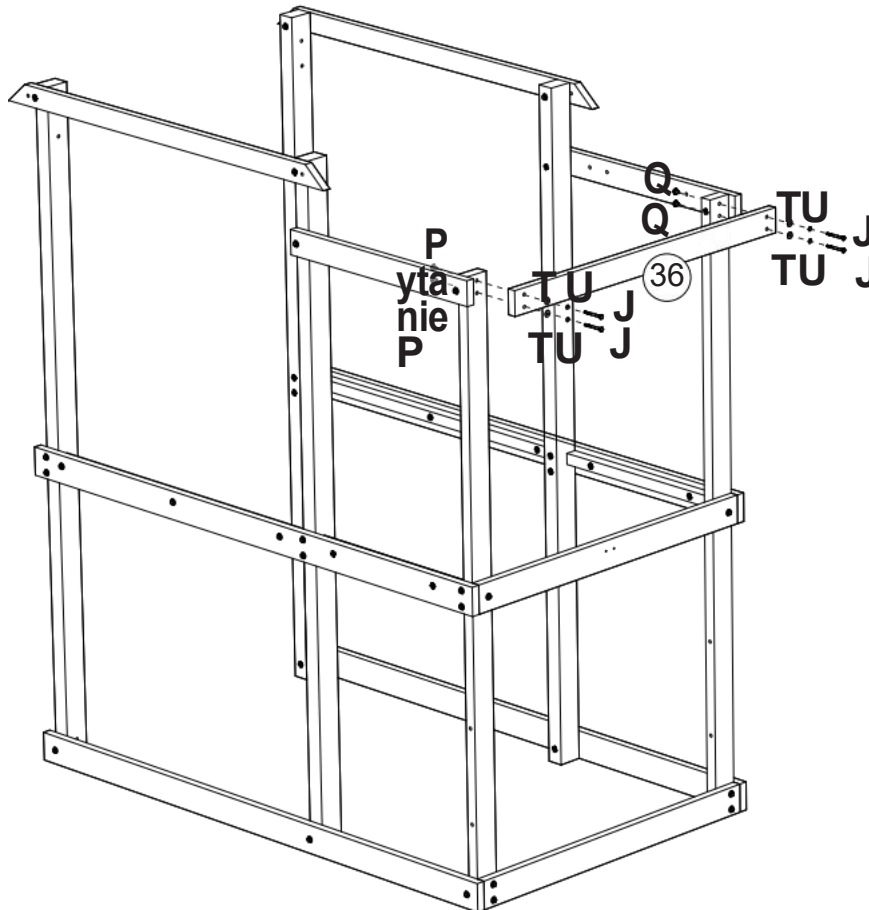
- ⑪ x 1
- Ⓝ x 4
- Ⓚ x 4
- Ⓣ x 4
- Ⓤ x 4

Step
Étape
Paso
10



12	x 1
J	x 2
T	x 2
U	x 2

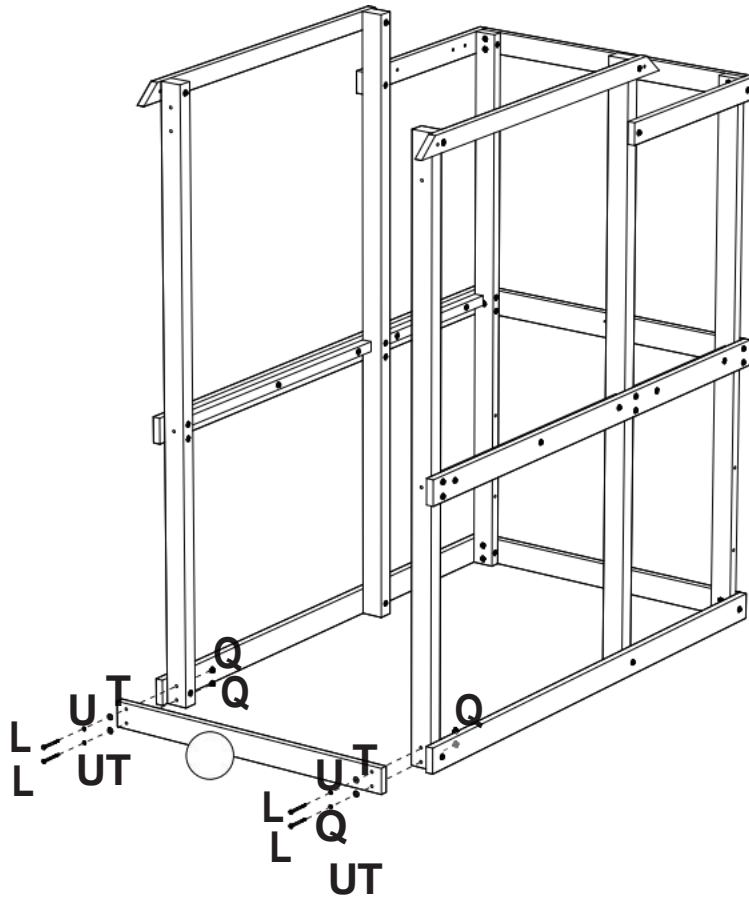
Step
Étape
Paso
11



36	x 1
J	x 4
Q	x 4
T	x 4
U	x 4

Step
Étape
Paso

12



①① x 1

Ⓛ x 4

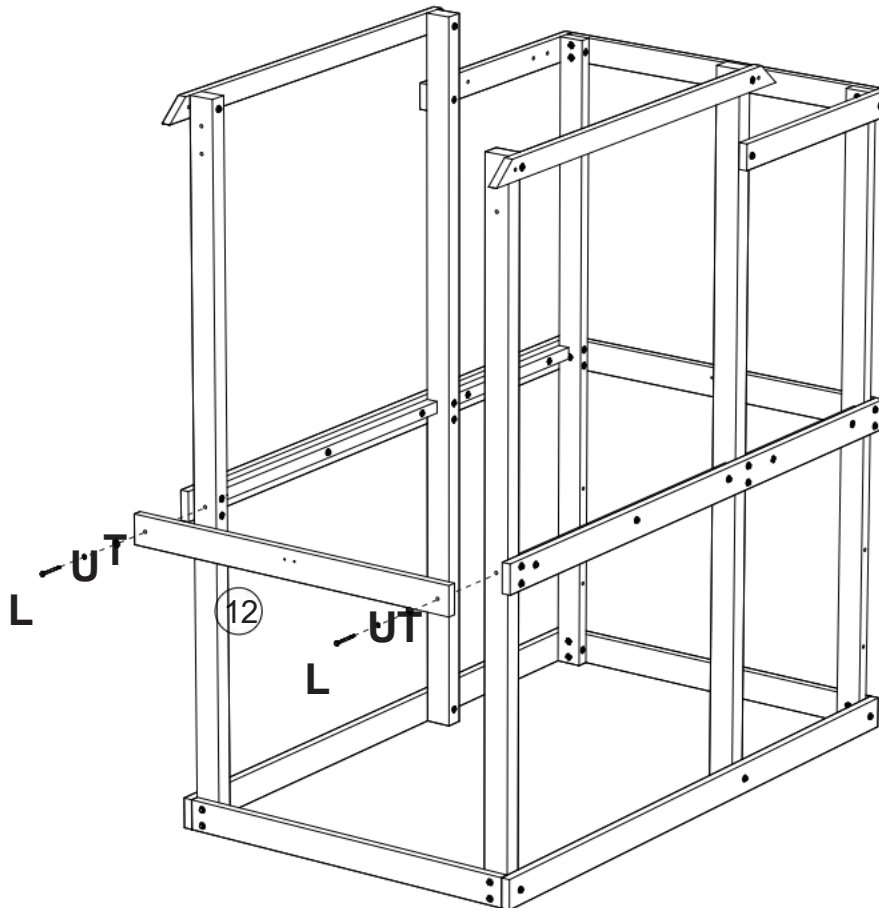
Ⓚ x 4

Ⓣ x 4

Ⓤ x 4

Step
Étape
Paso

13



①② x 1

Ⓛ x 2

Ⓣ x 2

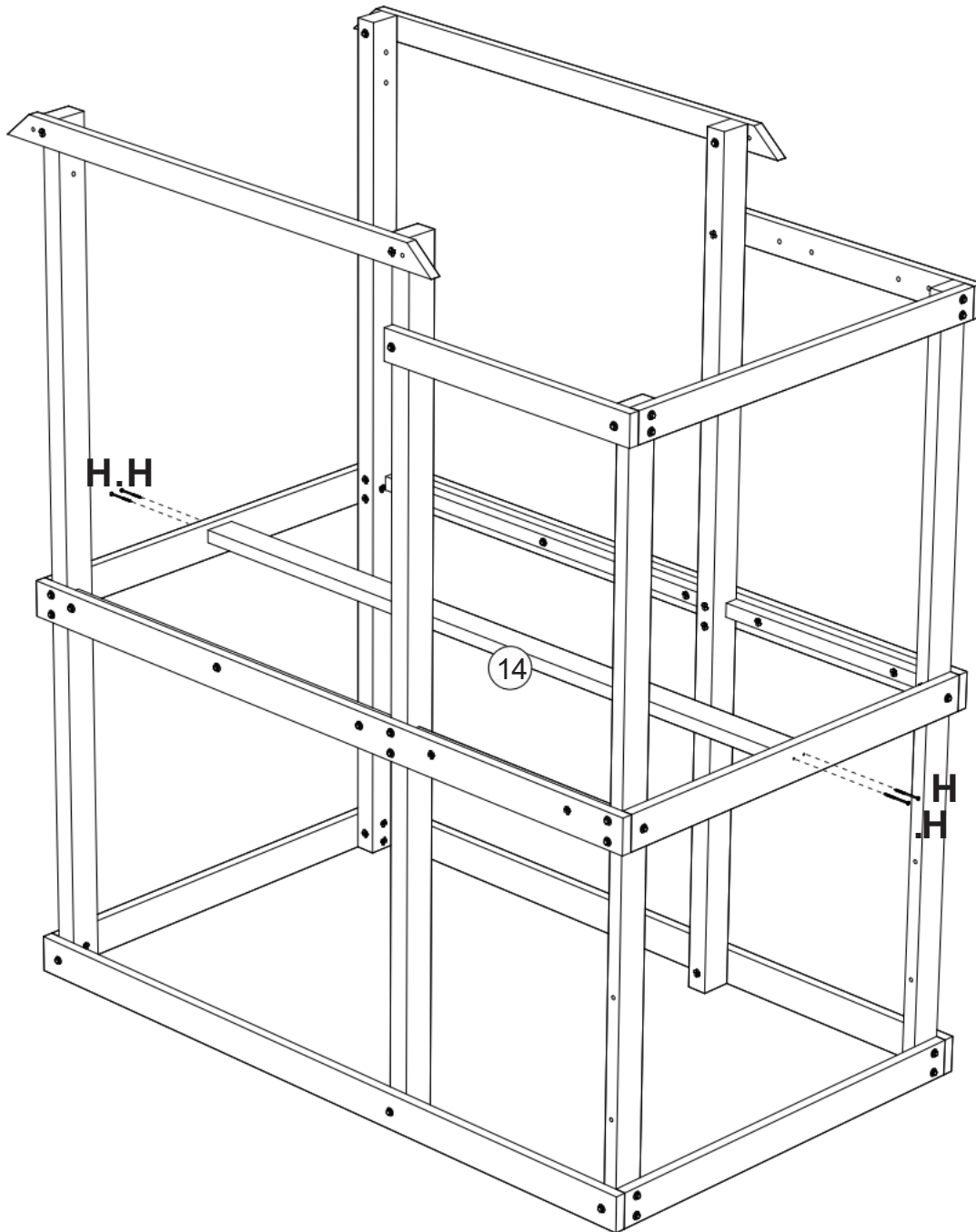
Ⓤ x 2

Step
Étape
Paso

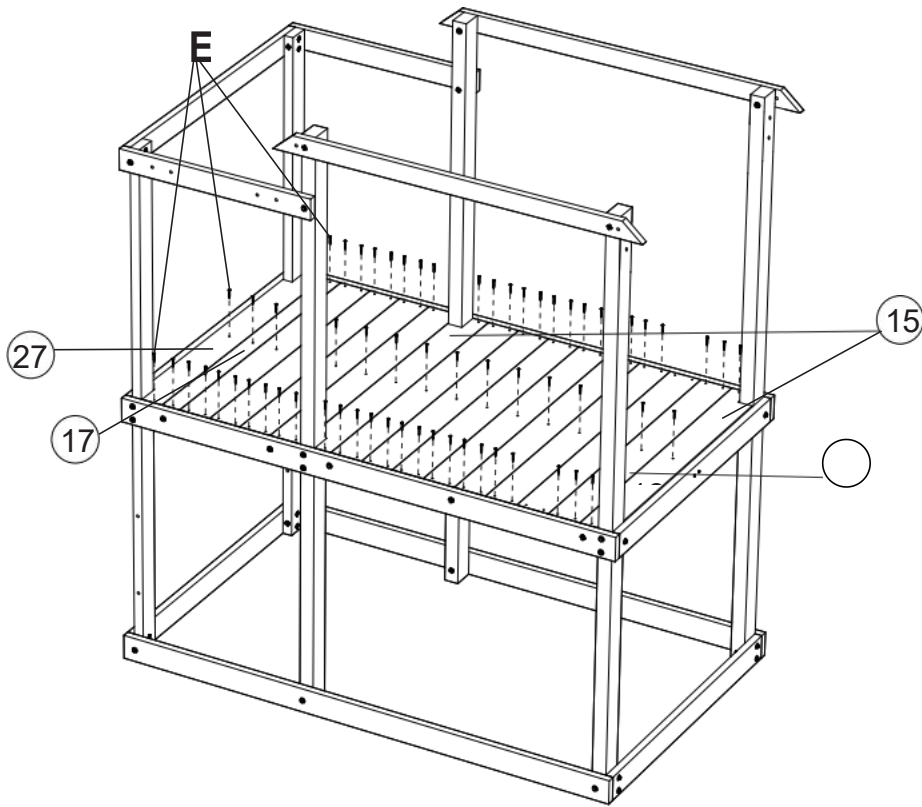
14

14 x 1

H x 4

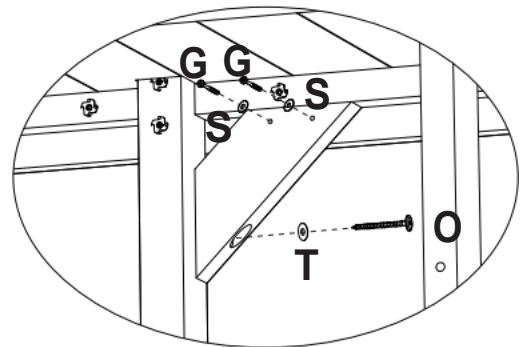
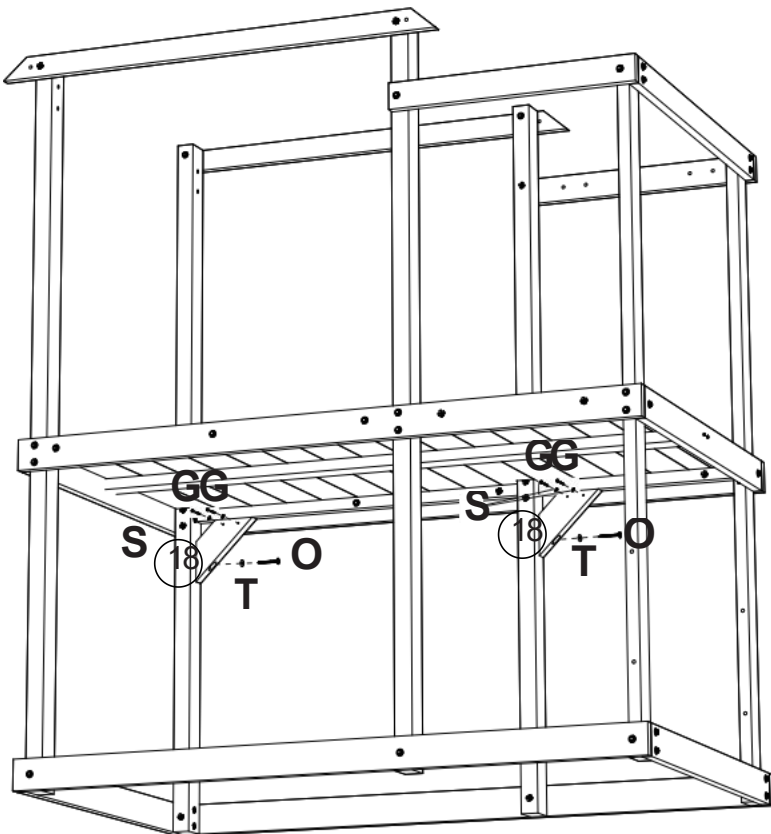


Step
Étape
Paso
15



15	x 2
16	x 12
17	x 1
27	x 1
E	x 67

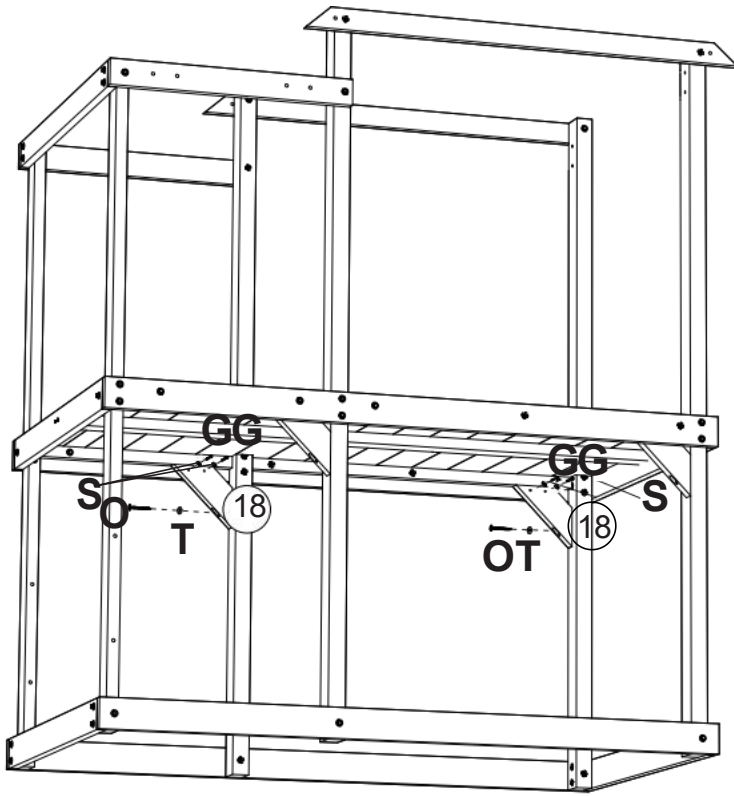
Step
Étape
Paso
16



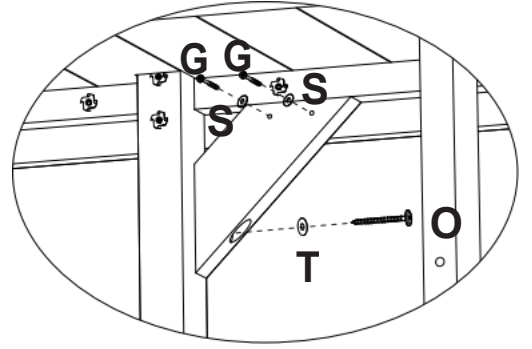
18	x 2
G	x 4
O	x 2
S	x 4
T	x 2

Step
Étape
Paso

17

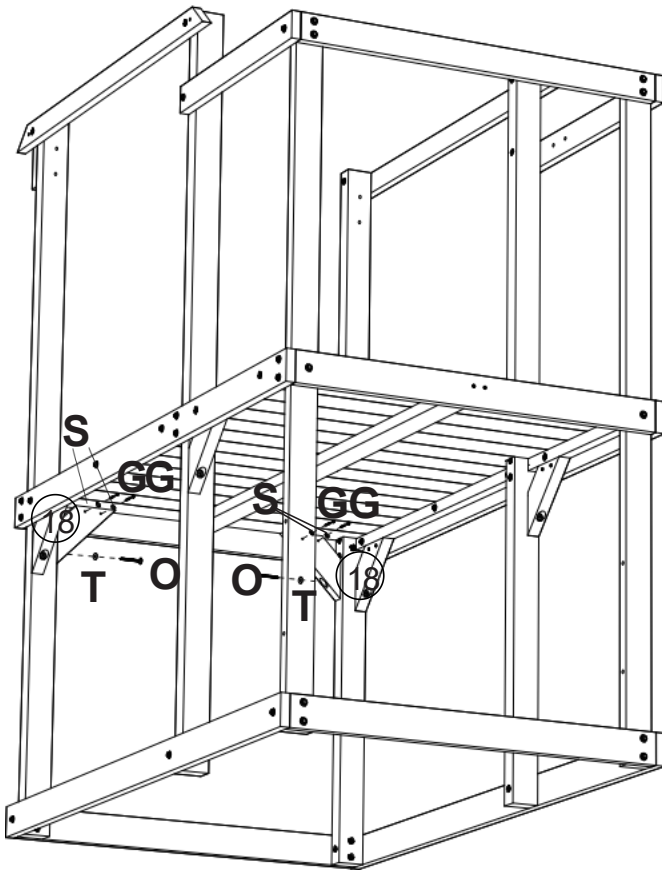


- ⓪ 18 x 2
- ⓪ G x 4
- ⓪ O x 2
- ⓪ S x 4
- ⓪ T x 2

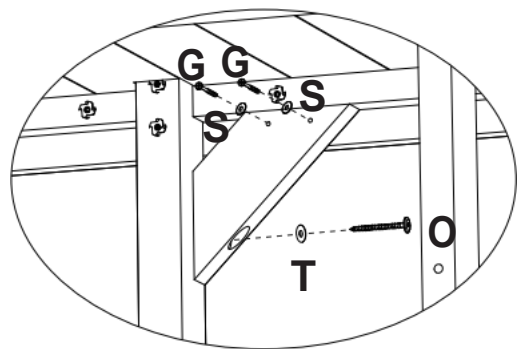


Step
Étape
Paso

18

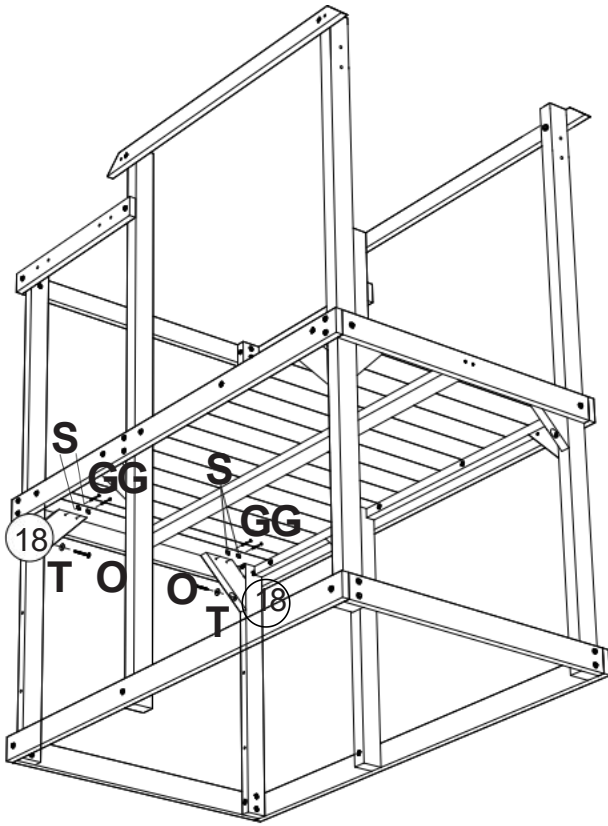


- ⓪ 18 x 2
- ⓪ G x 4
- ⓪ O x 2
- ⓪ S x 4
- ⓪ T x 2



Step
Étape
Paso

19



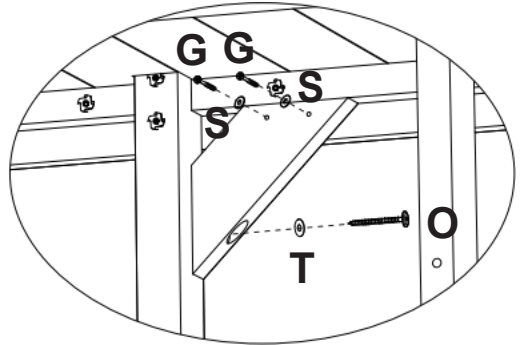
18 x 2

G x 4

O x 2

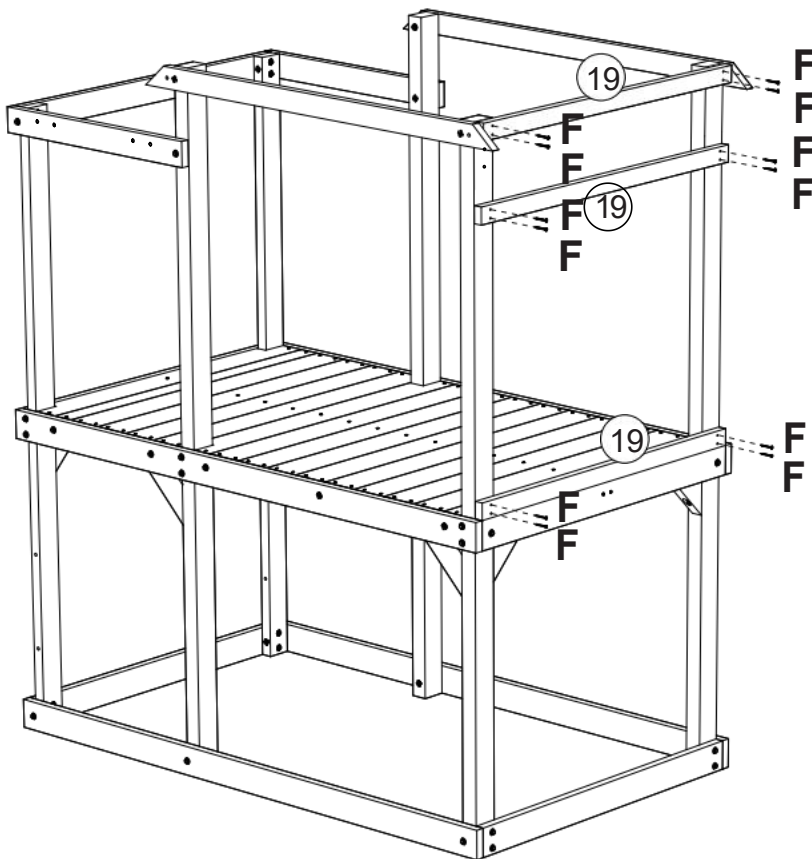
S x 4

T x 2



Step
Étape
Paso

20

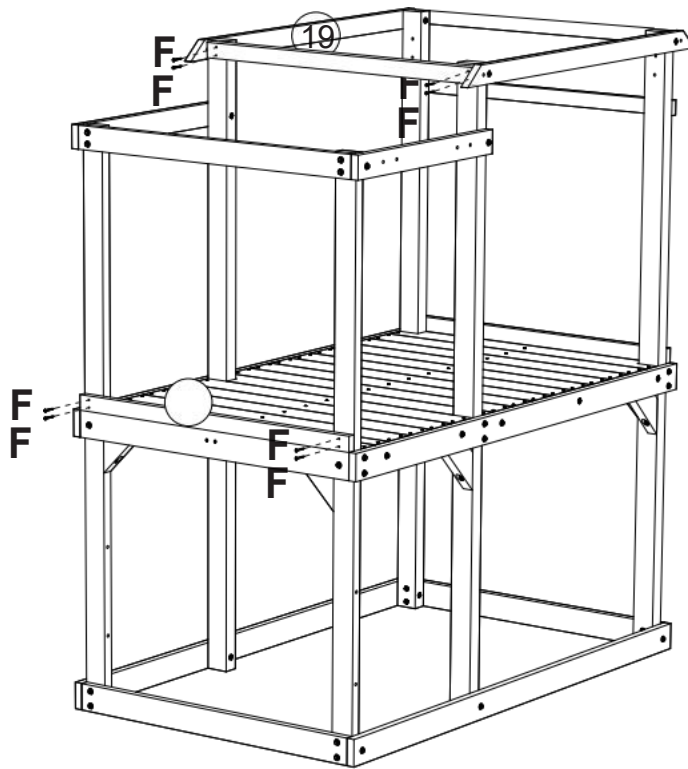


19 x 3

F x 12

Step
Étape
Paso

21

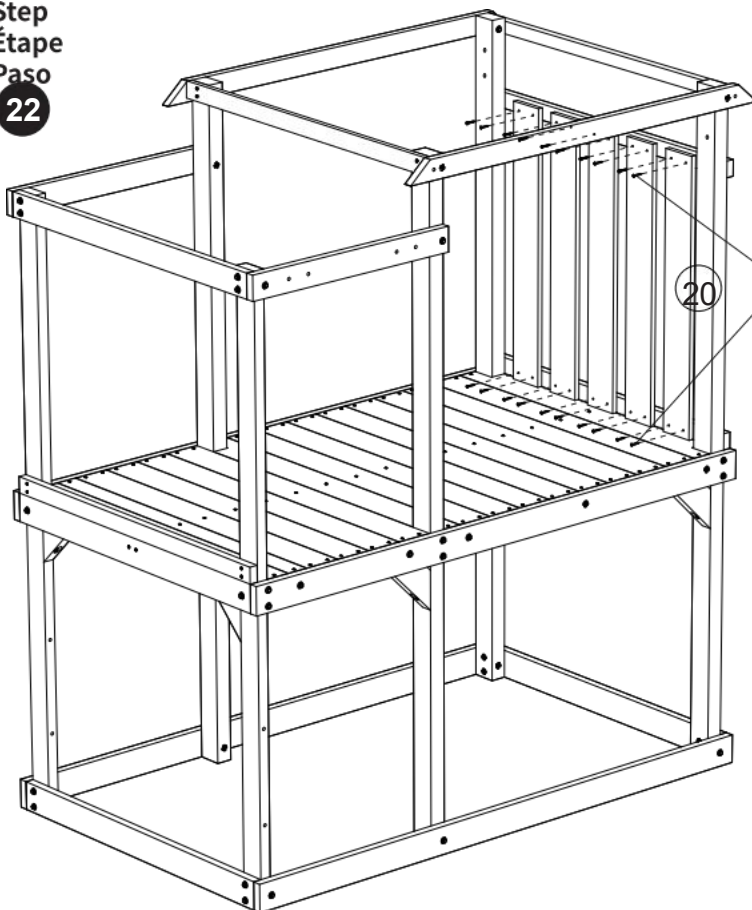


19 x 2

F x 8

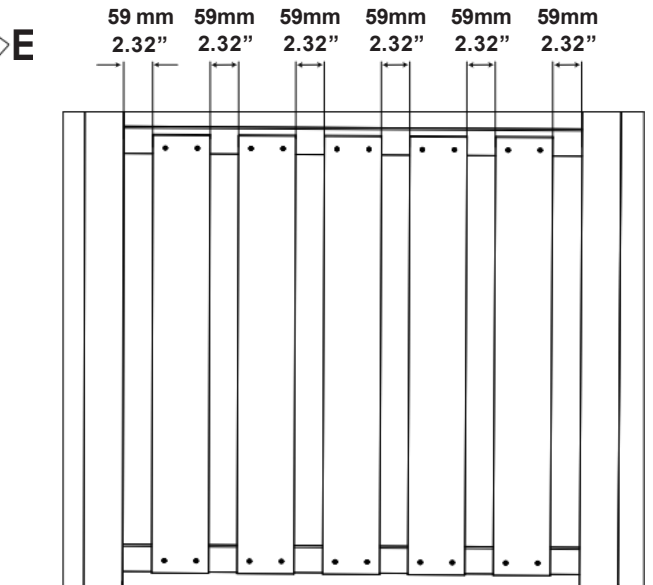
Step
Étape
Paso

22



20 x 5

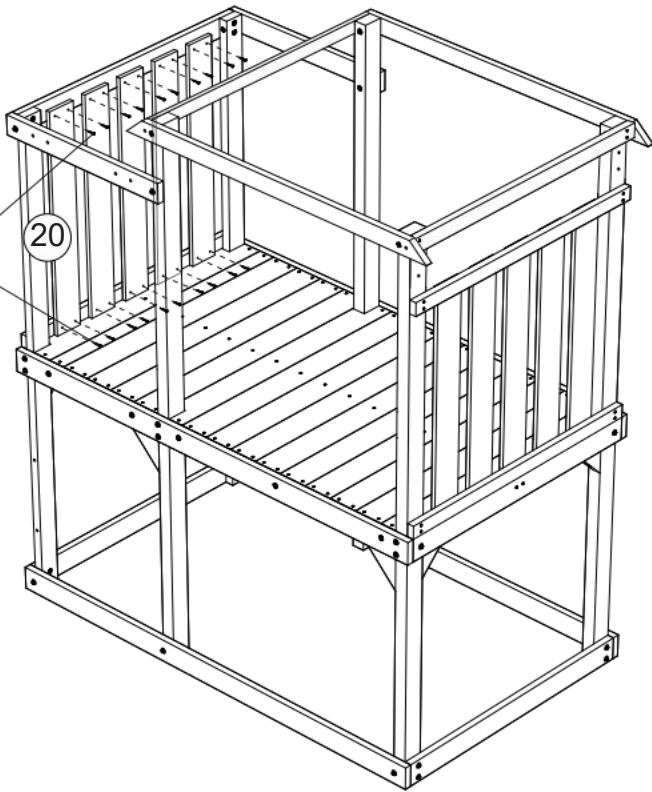
E x 20



Step
Étape
Paso

23

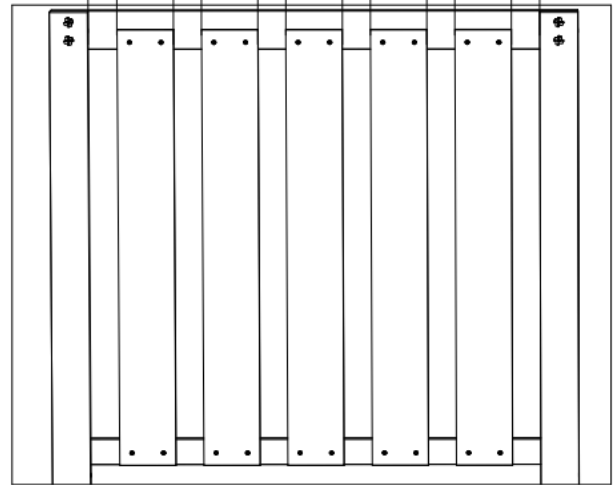
mi



20 x 5

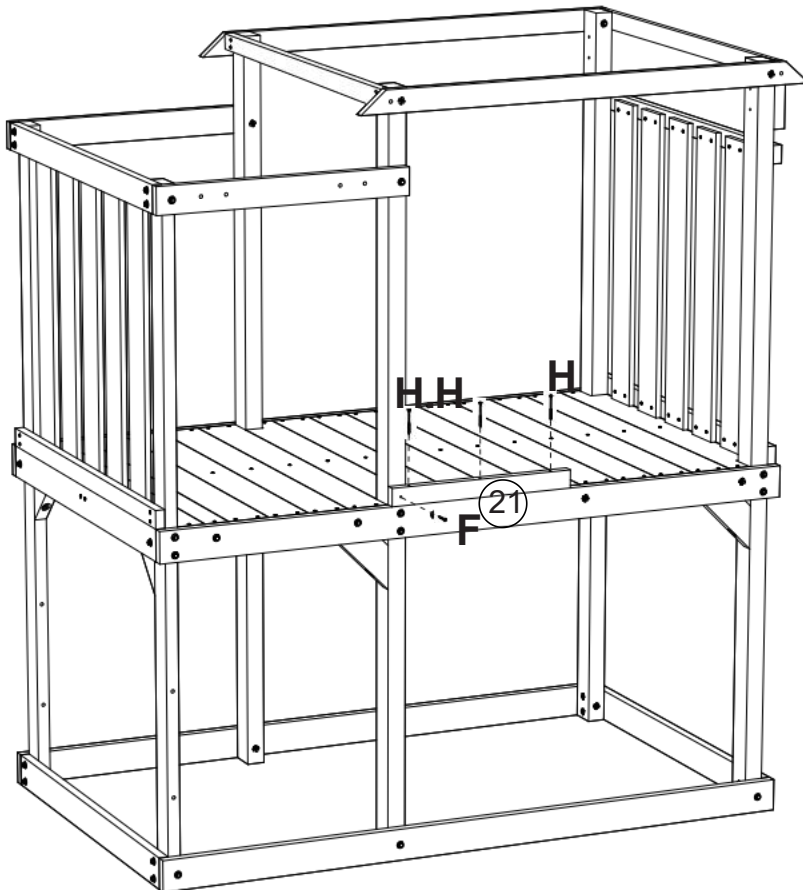
E x 20

59 mm 59 mm 59 mm 59 mm 59 mm 59 mm
2,32" 2,32" 2,32" 2,32" 2,32" 2,32"



Step
Étape
Paso

24



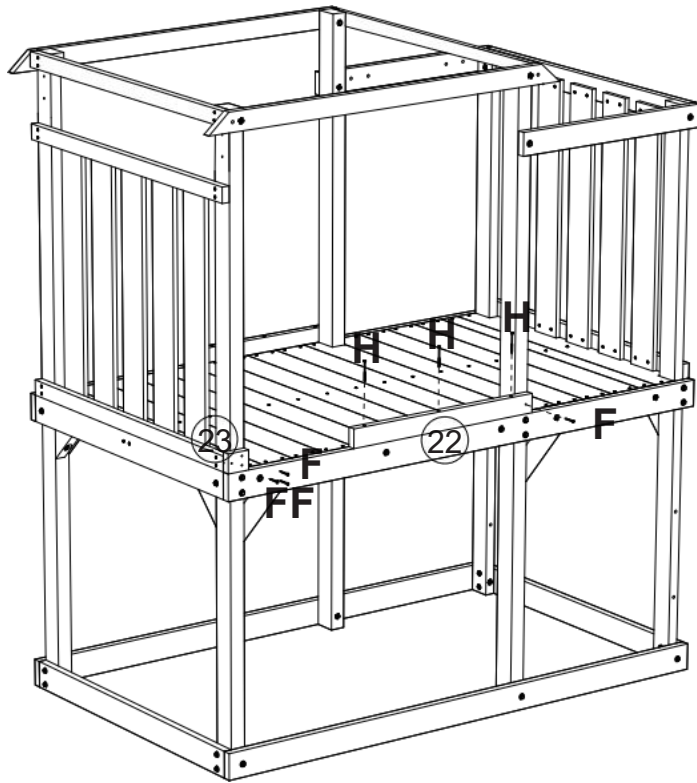
21 x 1

F x 1

H x 3

Step
Étape
Paso

25



22 x 1

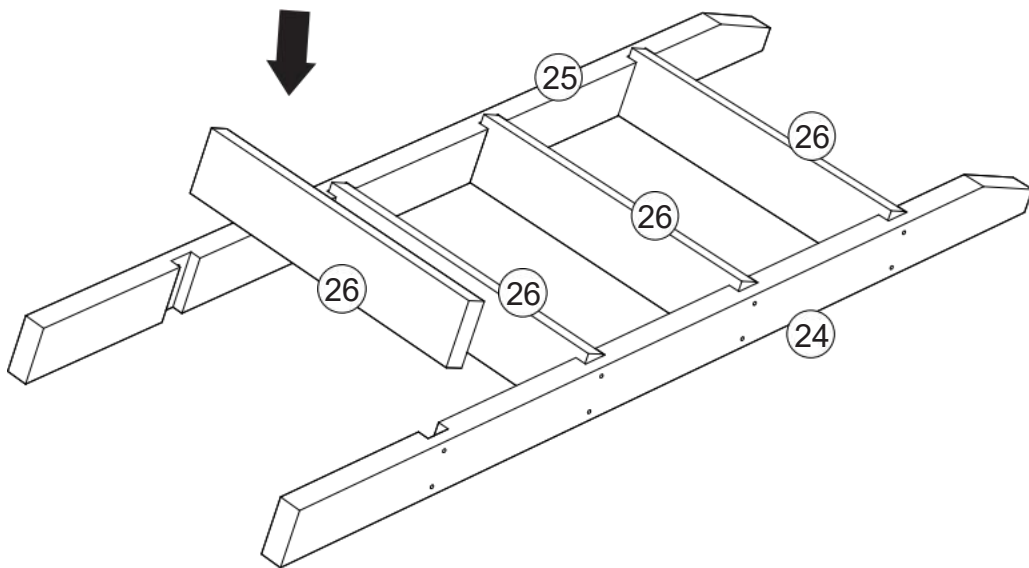
23 x 1

F x 4

H x 3

Step
Étape
Paso

26



24 x 1

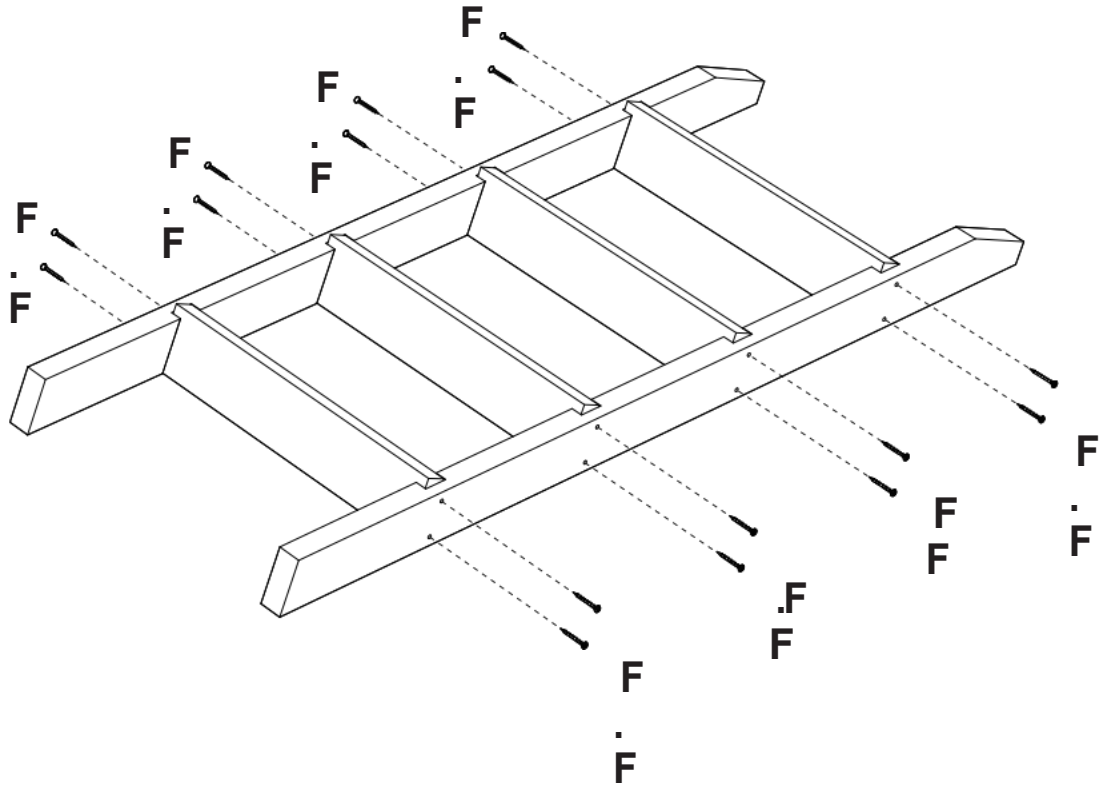
25 x 1

26 x 4

ⓕ x 16

Step
Étape
aso

27



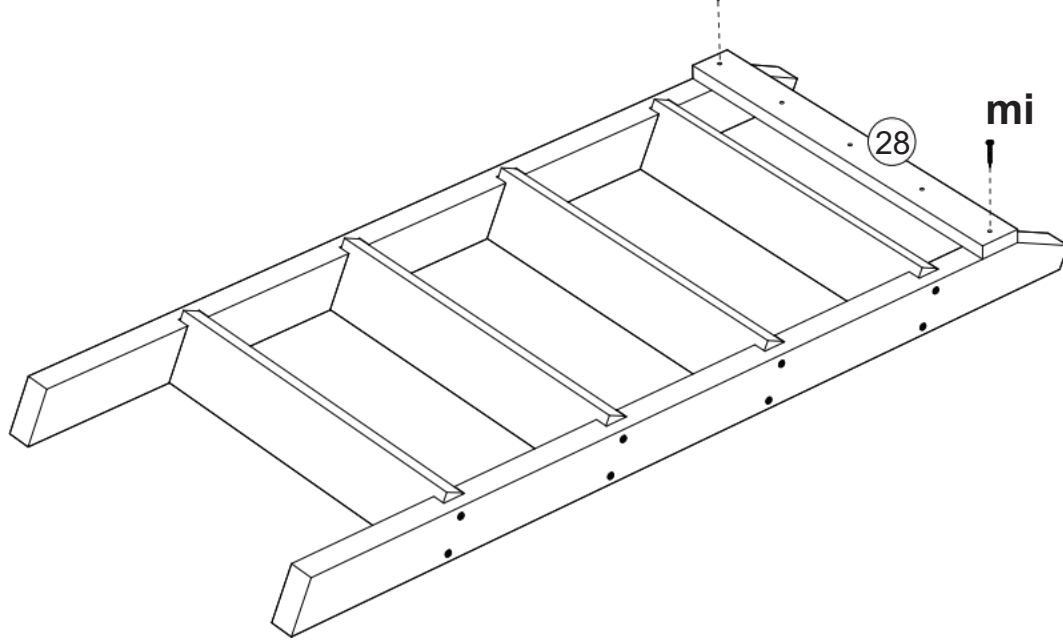
Step
Étape
aso

28

Ⓢ x 1

ⓔ x 2

mi

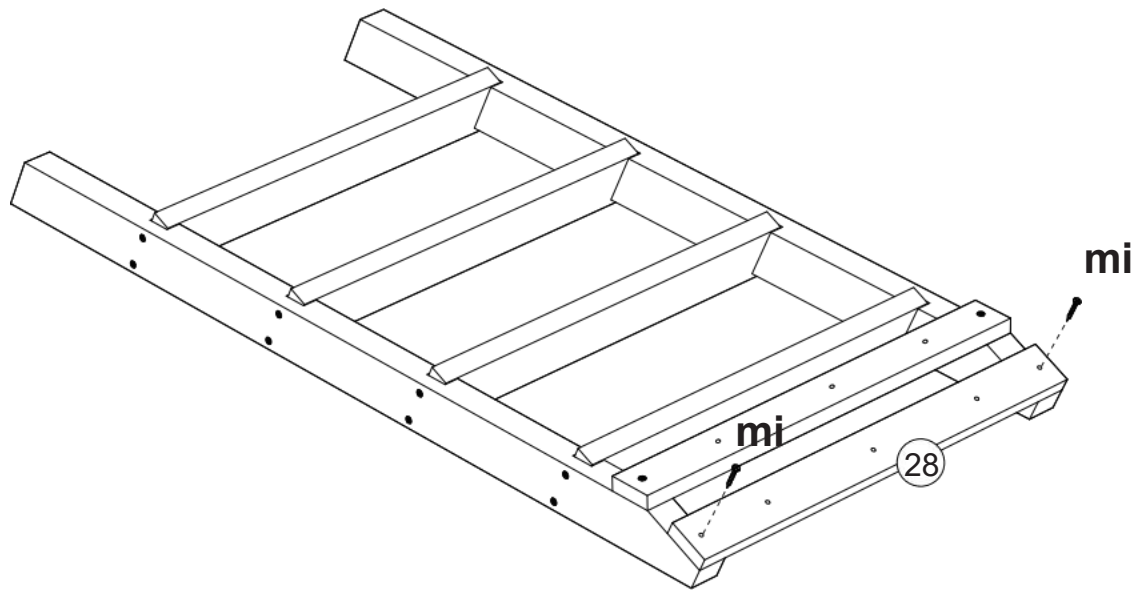


Step
Étape
Paso

29

28 x 1

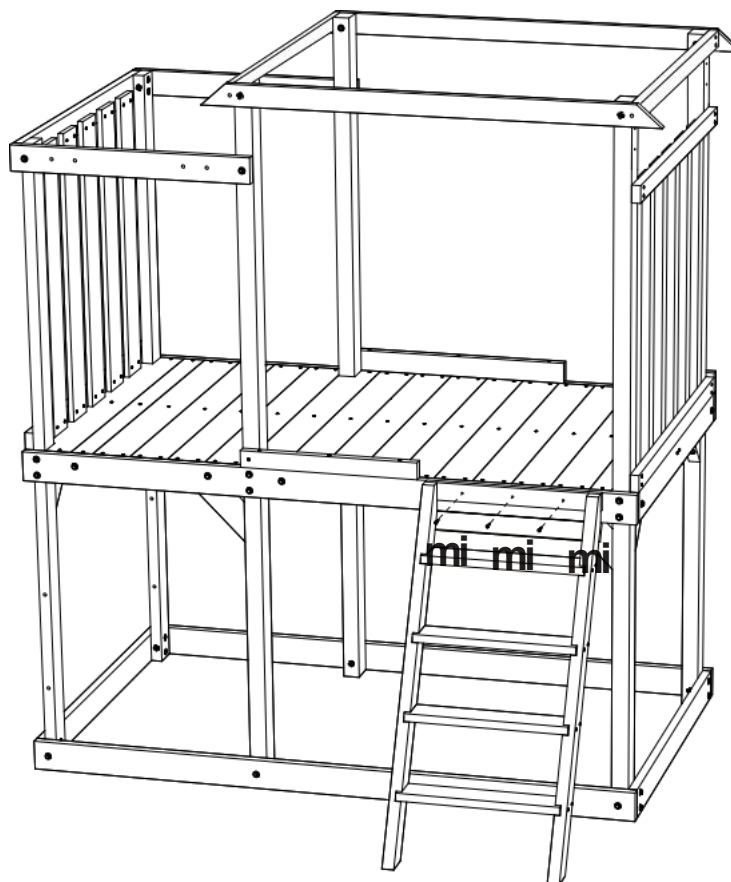
E x 2



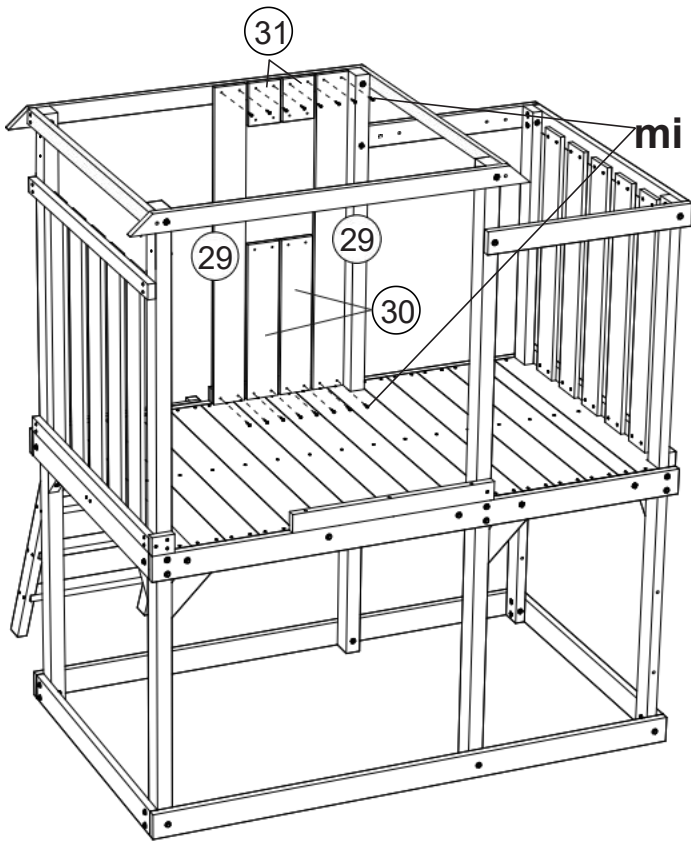
Step
Étape
Paso

30

E x 3



Step
Étape
Paso
31

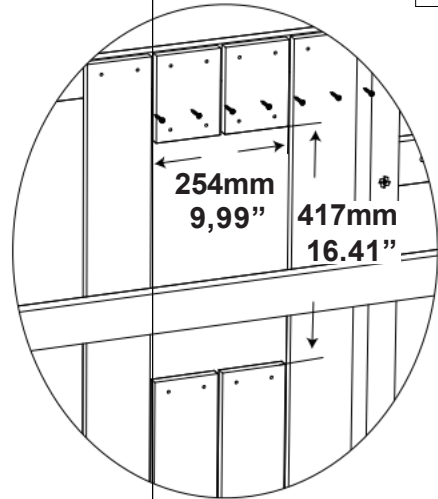


29 x 2

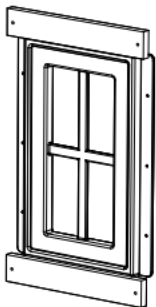
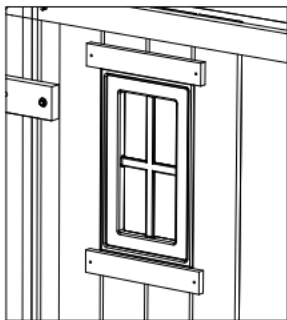
30 x 2

31 x 2

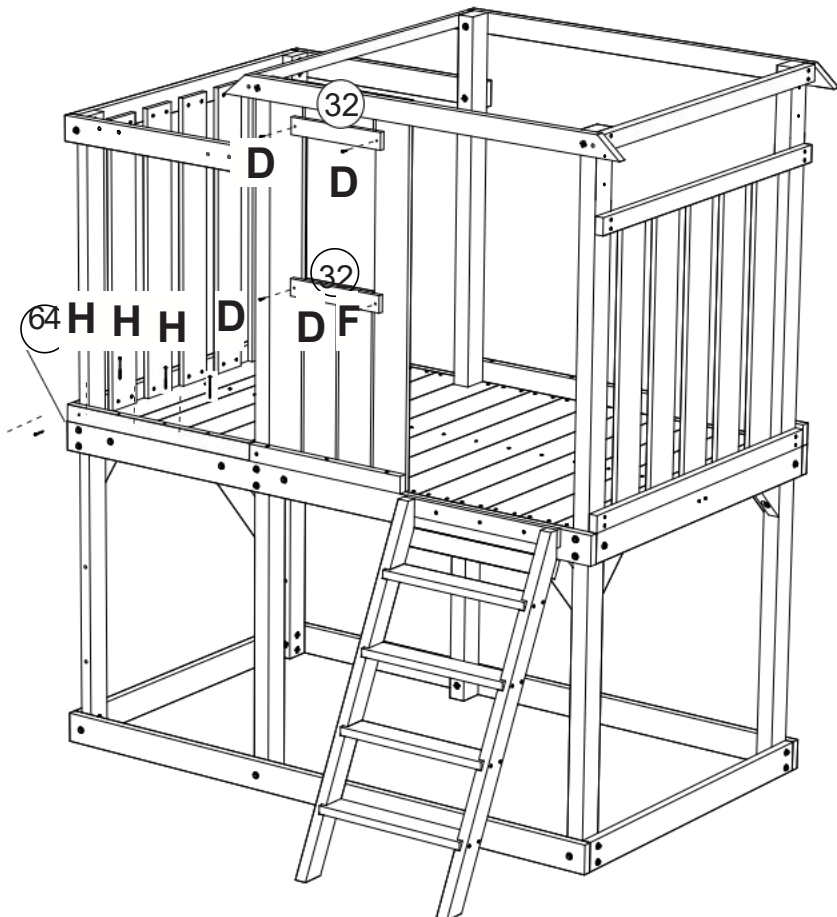
E x 16



Step
Étape
Paso
32



Wyrównaj z oknem



32 x 2

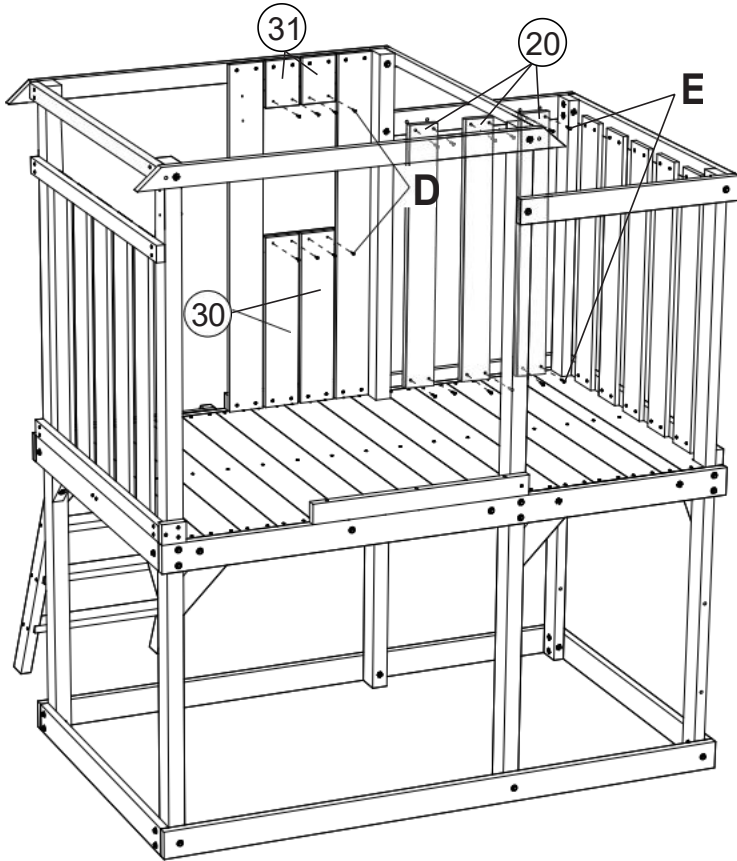
64 x 1

D x 4

F x 1

H x 3

Step
Étape
Paso
33

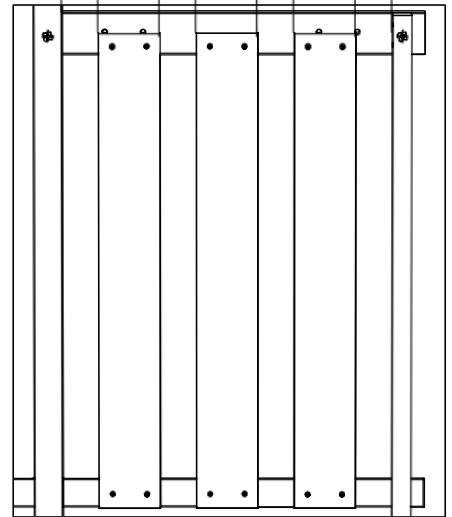


⓪ x 3

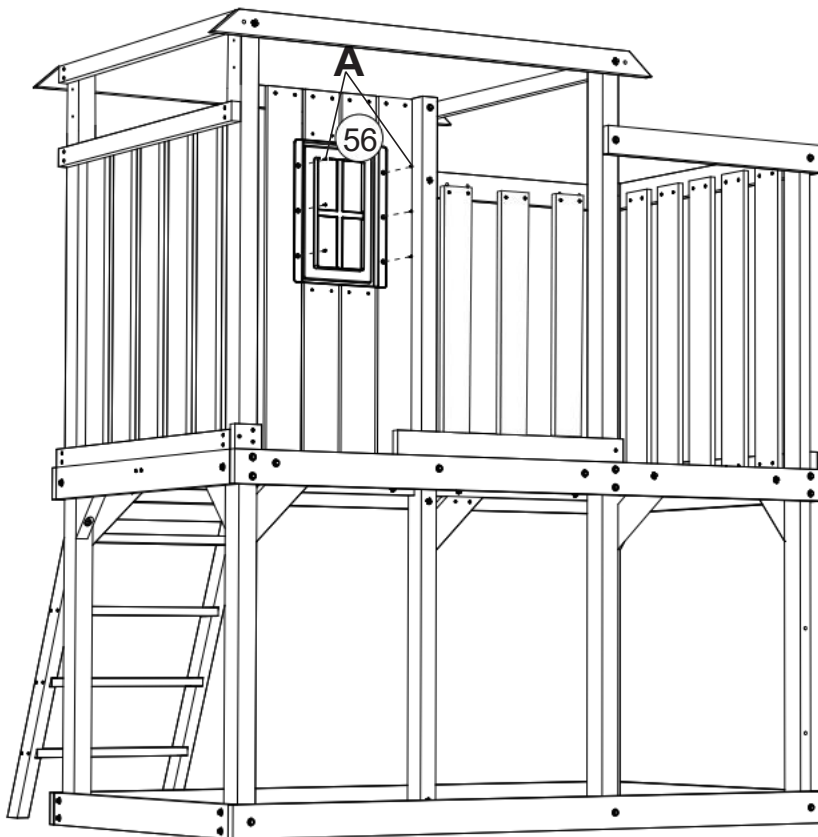
ⓓ x 8

ⓔ x 12

69.5mm 69.5mm 69.5mm 69.5mm
2.73" 2.73" 2.73" 2.73"



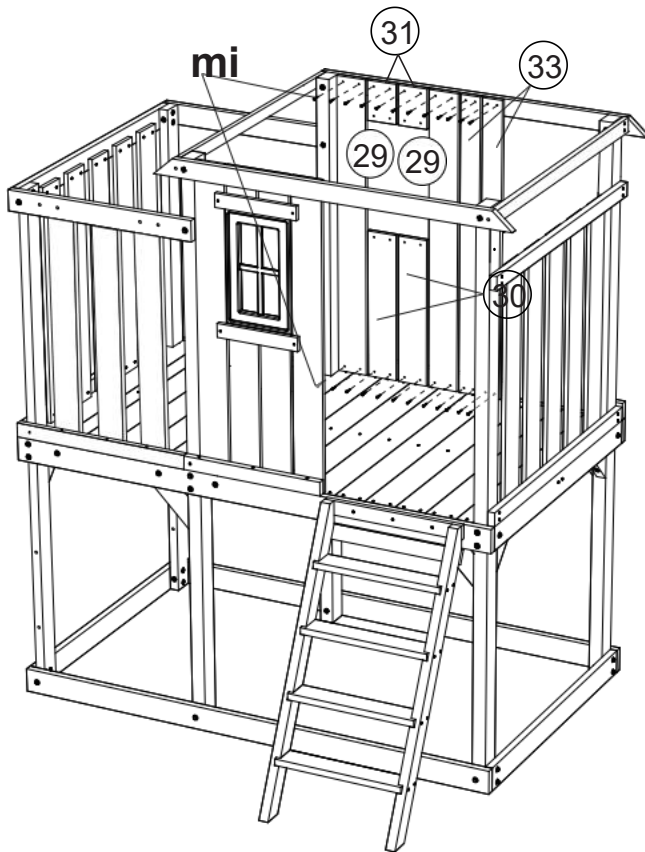
Step
Étape
Paso
34



Ⓜ x 1

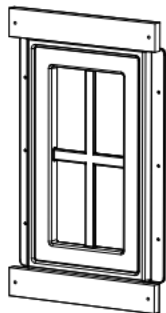
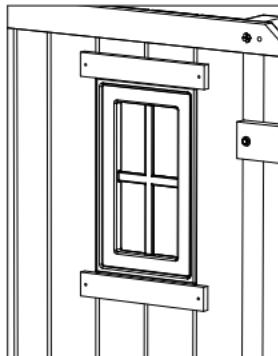
Ⓐ x

Step
Étape
Paso
35

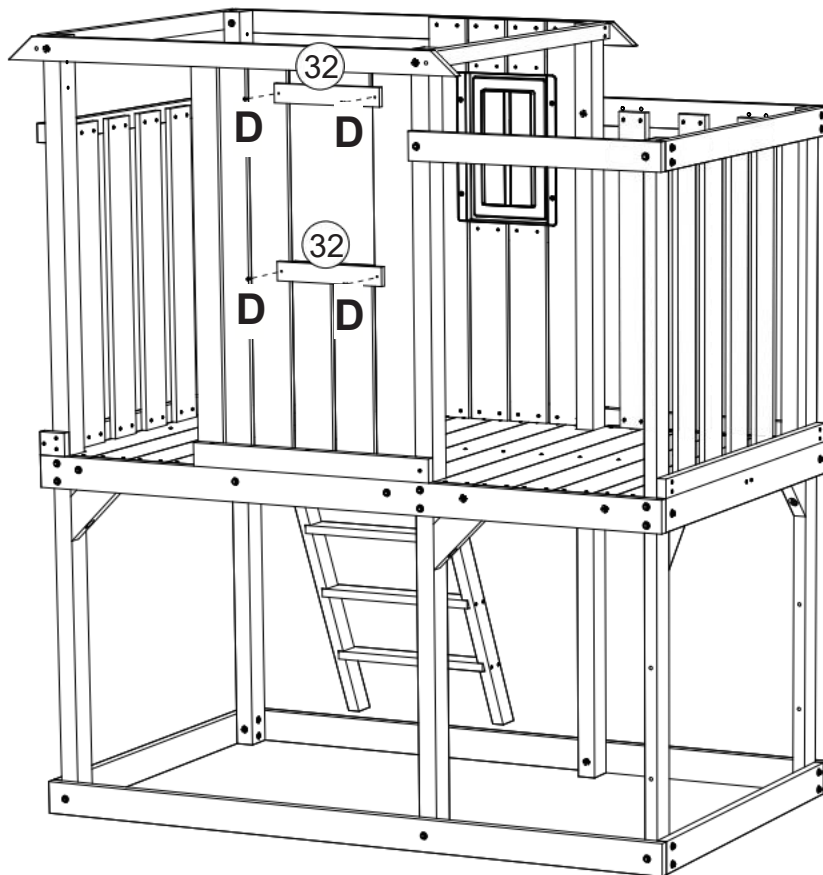


- Ⓣ 29 x 2
- Ⓣ 30 x 2
- Ⓣ 31 x 2
- Ⓣ 33 x 2
- Ⓞ E x 24

Step
Étape
Paso
36



Wyrównaj z oknem

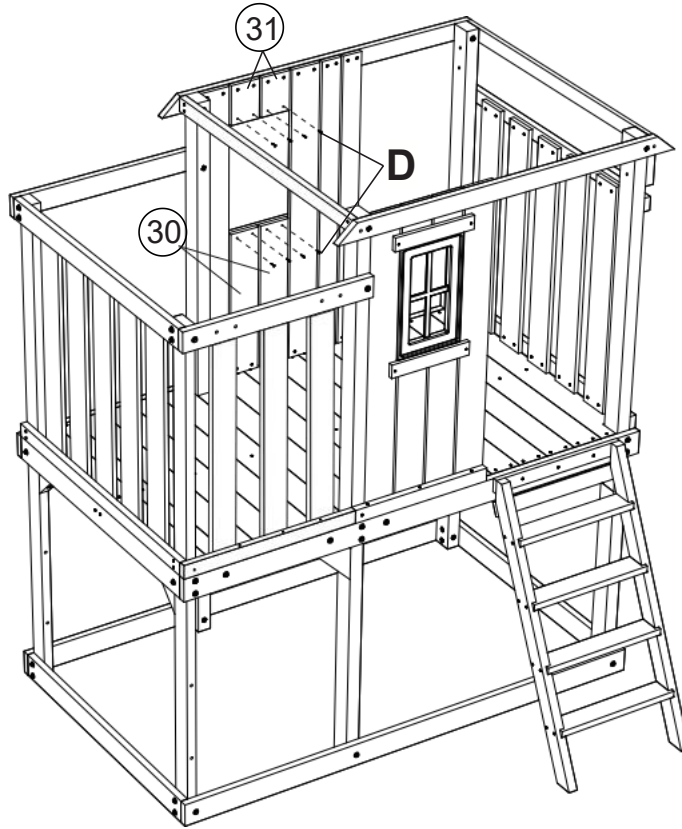


- Ⓣ 32 x 2
- Ⓞ D x 4

ⓓ x 8

Step
Étape
Paso

37



ⓂⓅ x 1

Ⓐ x 6

Step
Étape
Paso

38



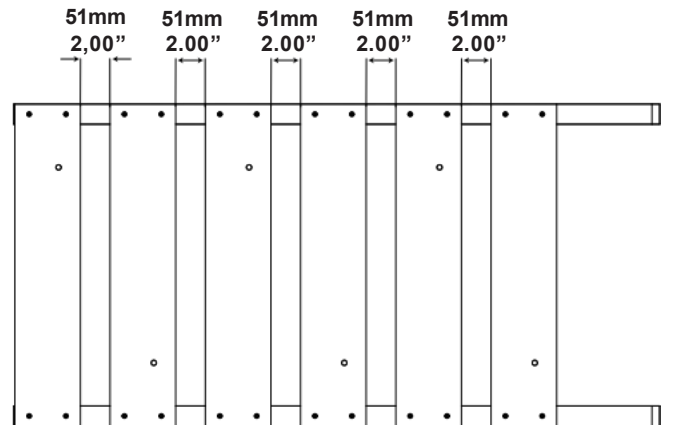
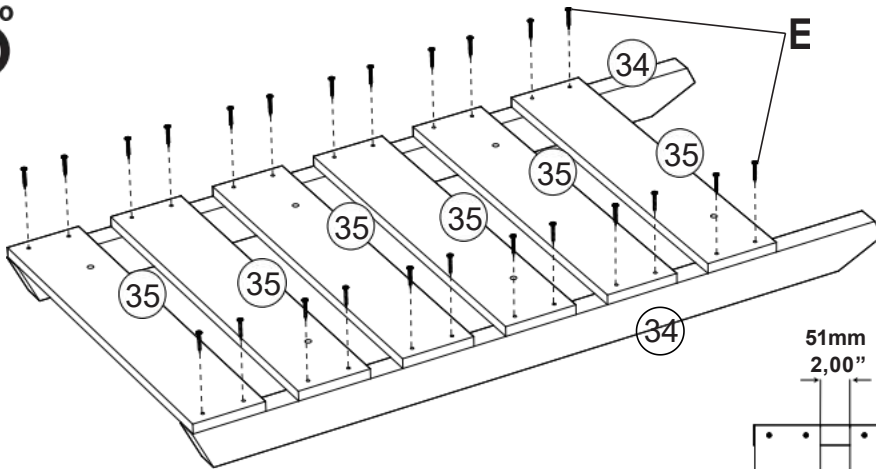
Step
Étape
Paso

39

34 x 2

35 x 6

E x 24

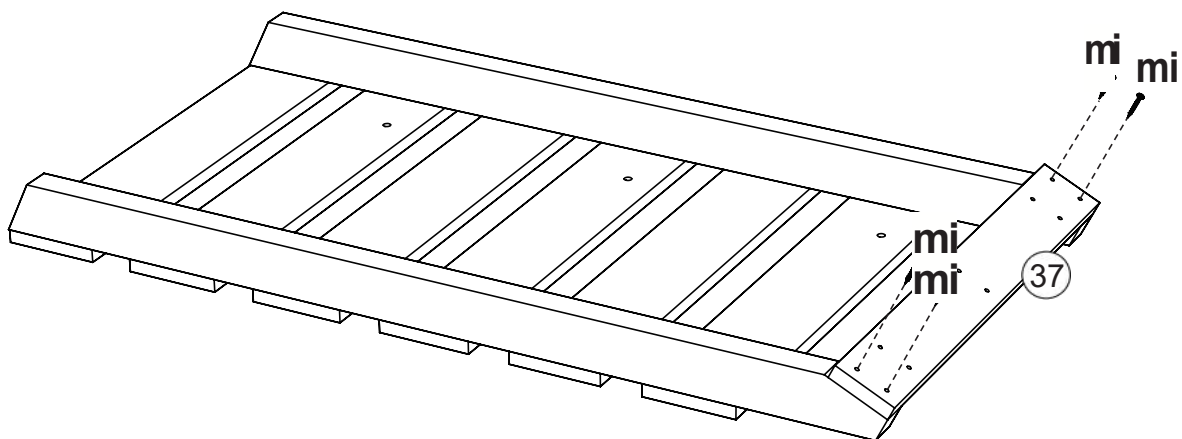


Step
Étape
Paso

40

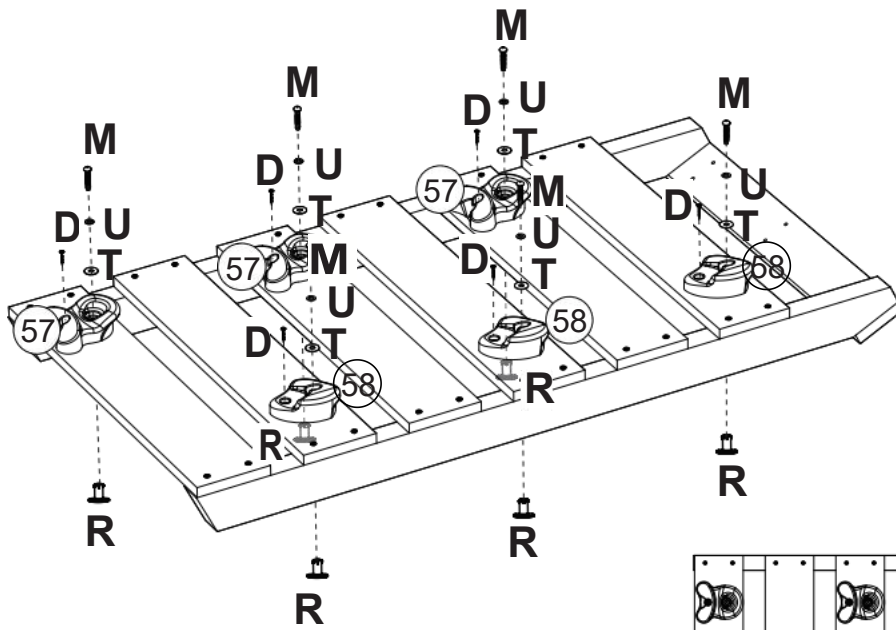
37 x 1

E x 4



Step
Étape
Paso

41



57 x 3

58 x 3

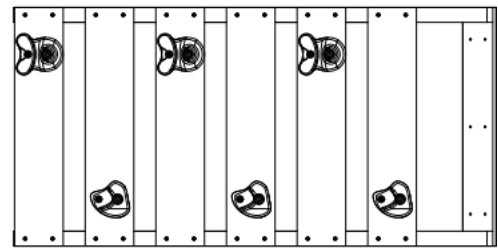
D x 6

M x 6

R x 6

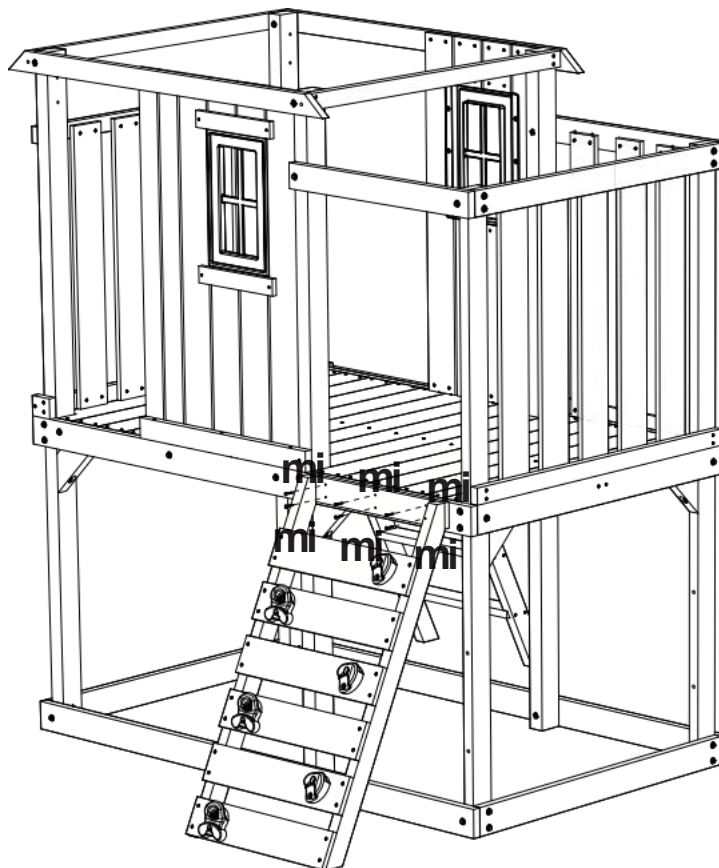
T x 6

U x 6



Step
Étape
Paso

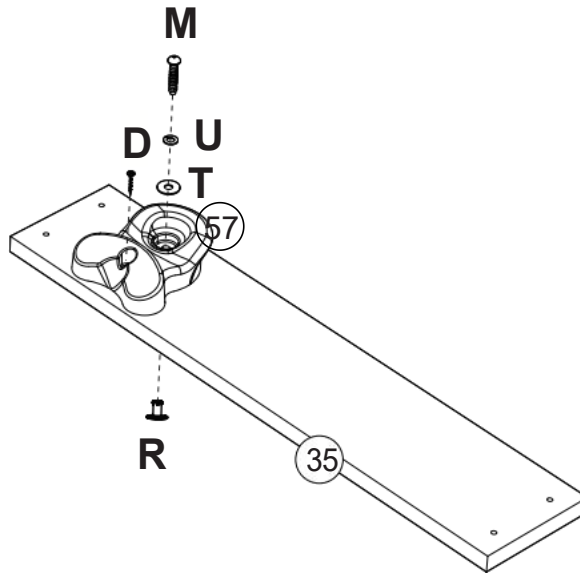
42



E x 6

Step
Étape
Paso

43



35 x 1

57 x 1

D x 1

M x 1

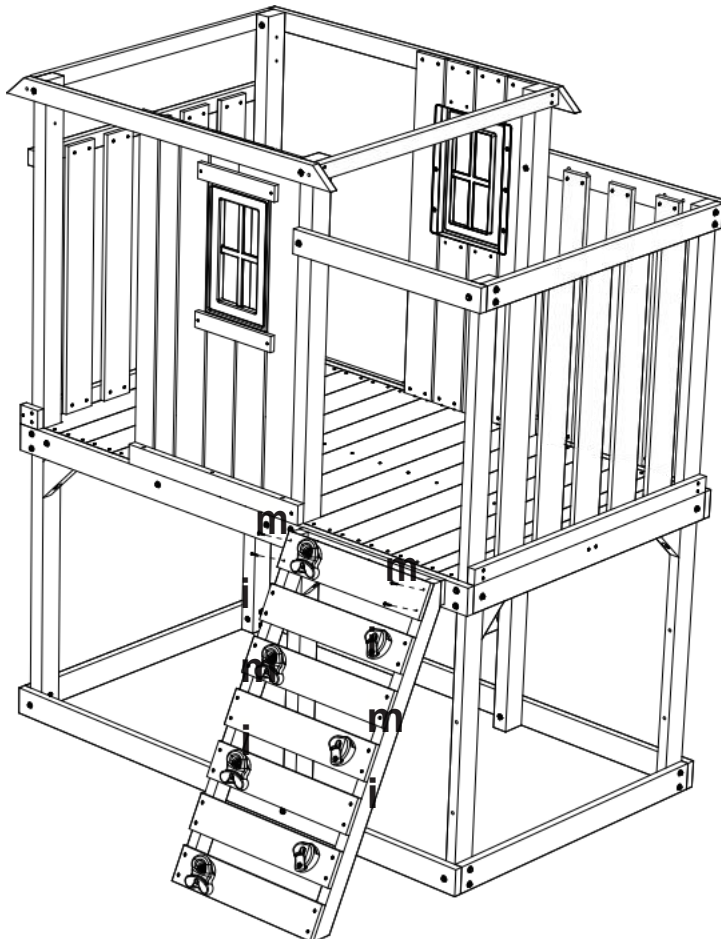
R x 1

T x 1

U x 1

Step
Étape
Paso

44



E x 4

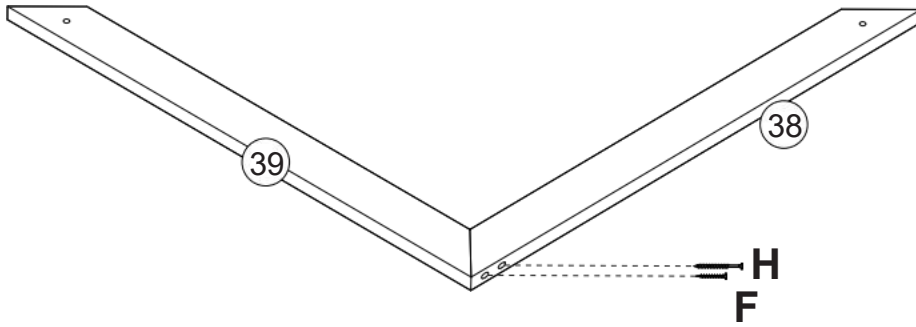
Step
Étape
Paso
45 x 2

38 x 1

39 x 1

F x 1

H x 1

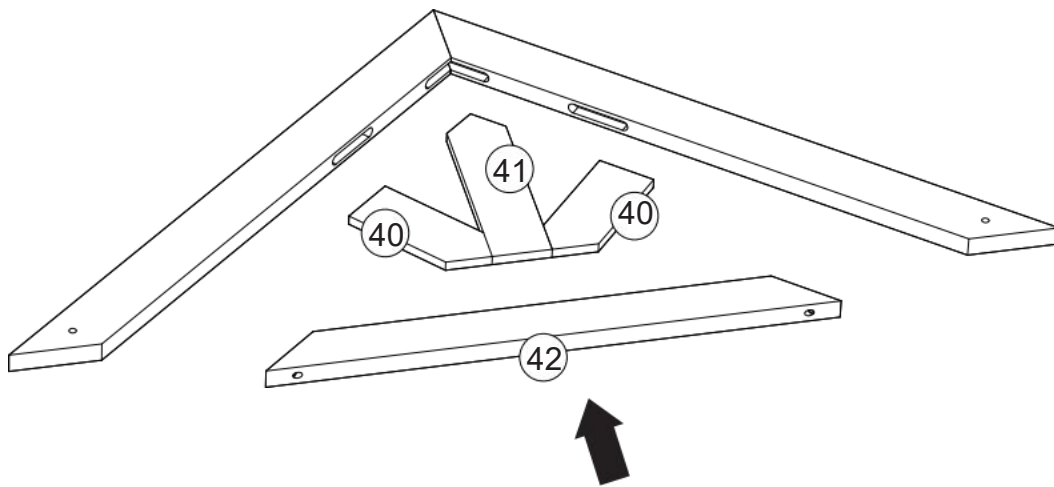


Step
Étape
Paso
46 x 2

40 x 2

41 x 1

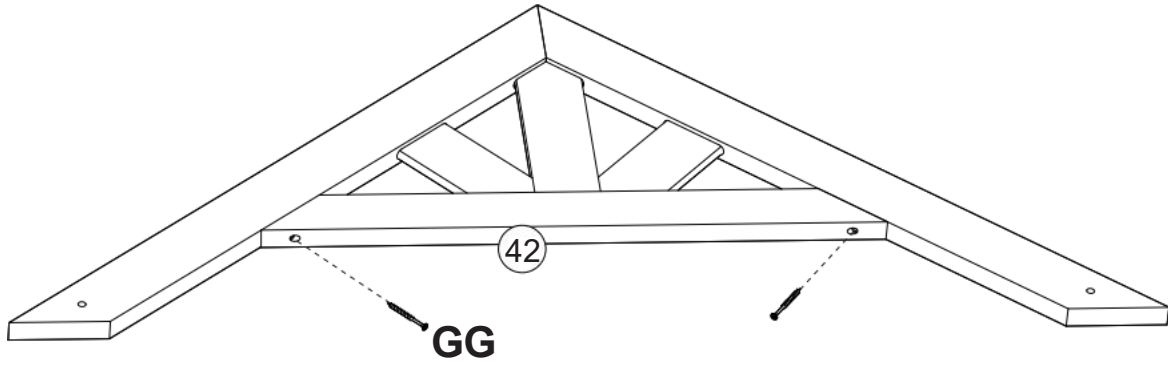
42 x 1



Step
Étape
Paso
47 x 2

42 x 1

G x 2

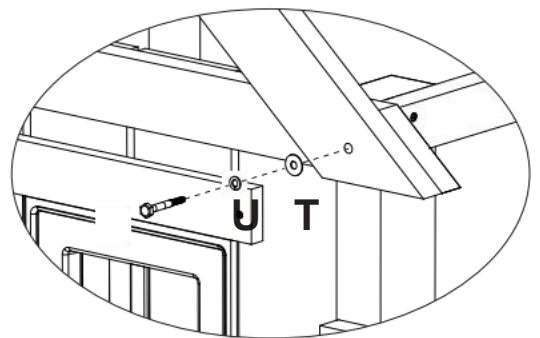
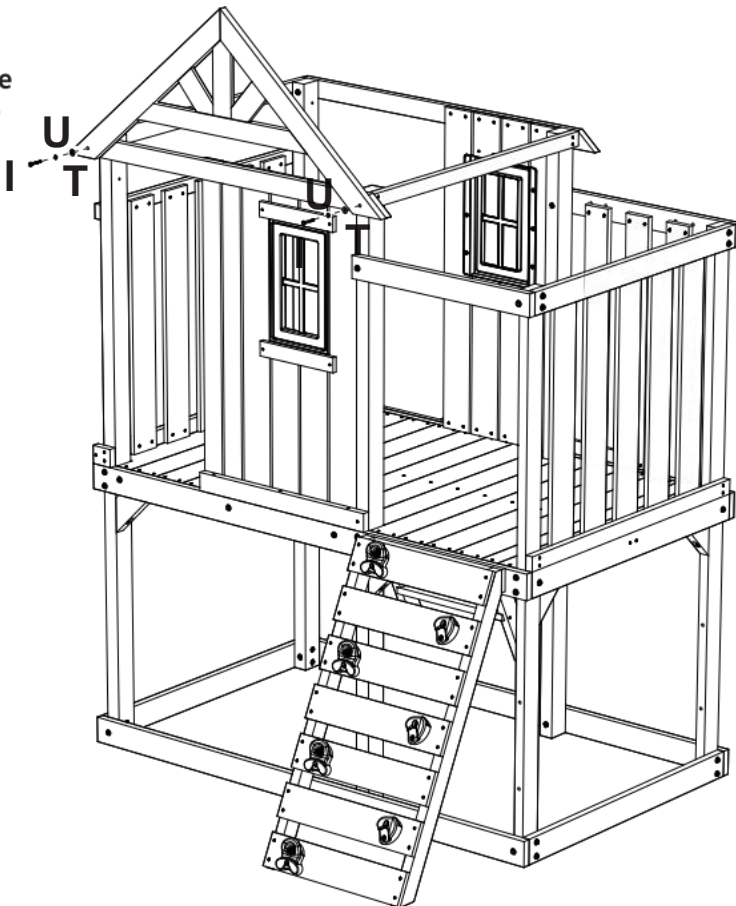


Step
Étape
Paso
48

I x 2

T x 2

U x 2



Step
Étape
Paso

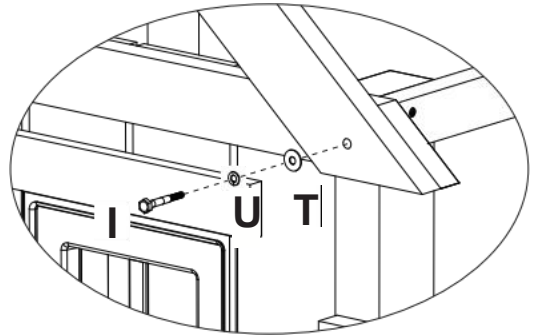
49



ⓐ x 2

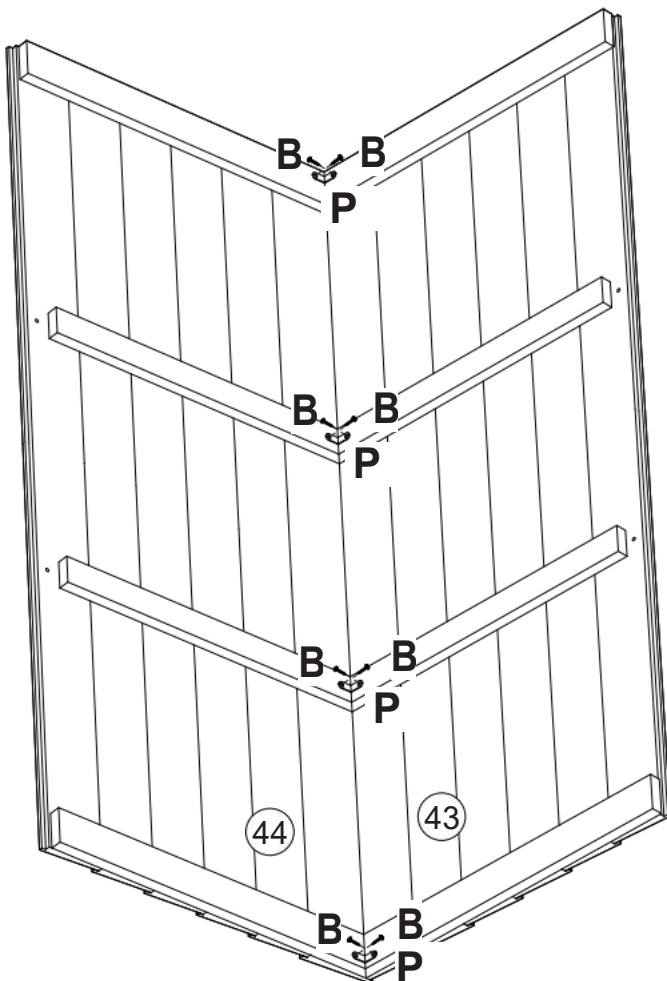
ⓑ x 2

ⓒ x 2



Step
Étape
Paso

50

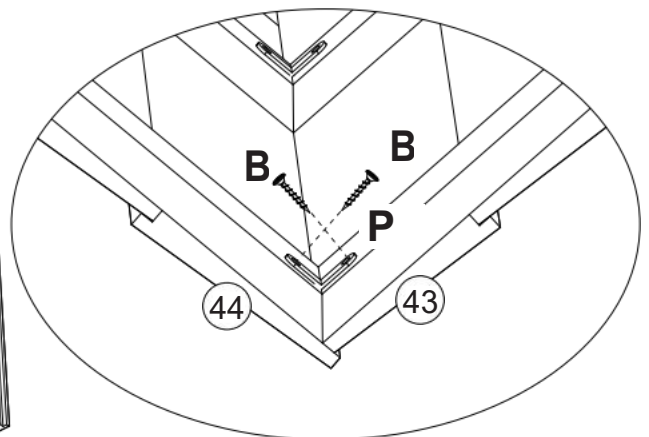


Ⓓ x 1

Ⓔ x 1

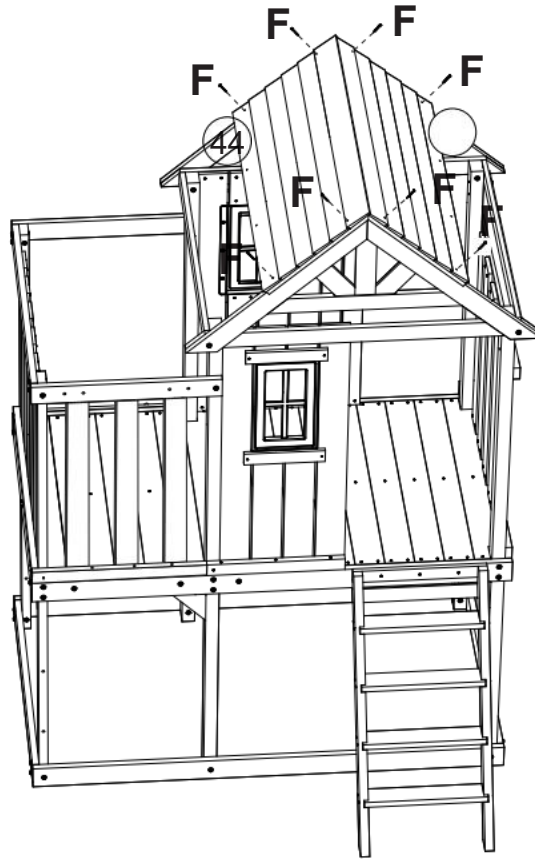
ⓓ x 8

ⓔ x 4



Step
Étape
Paso

51



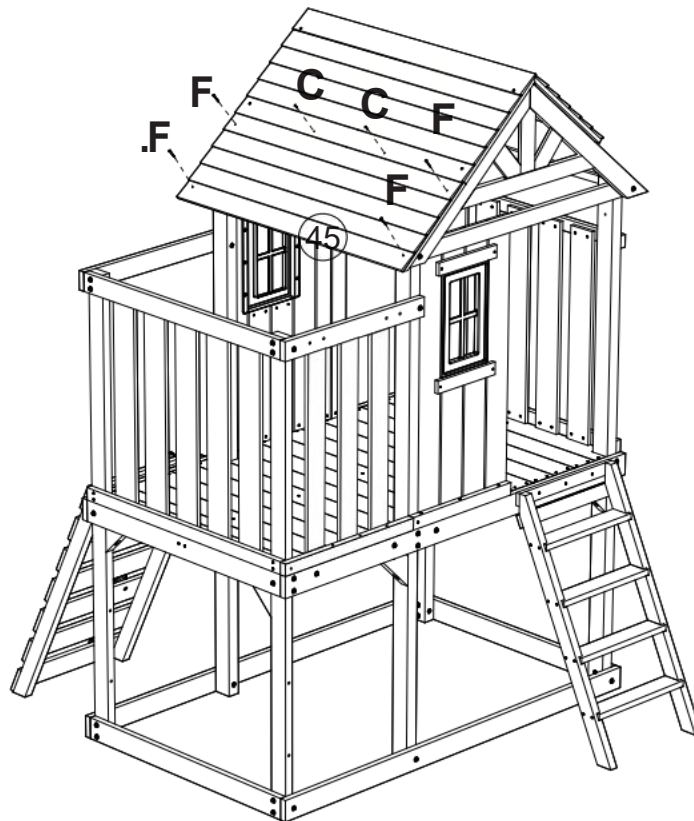
43 x 1

44 x 1

F x 8

Step
Étape
Paso

52



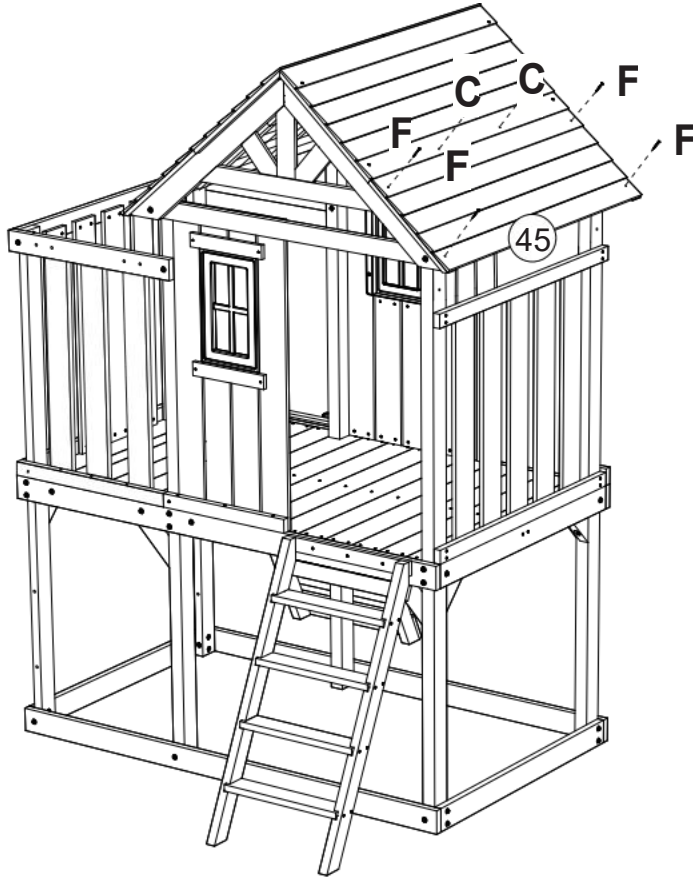
45 x 1

C x 2

F x 4

Step
Étape
Paso

53



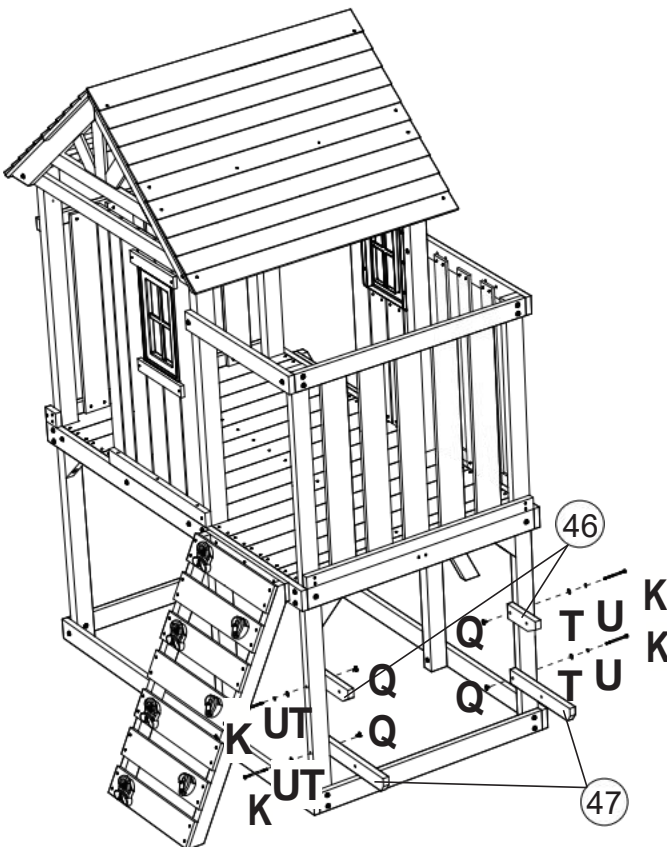
45 x 1

C x 2

F x 4

Step
Étape
Paso

54



46 x 2

47 x 2

K x 4

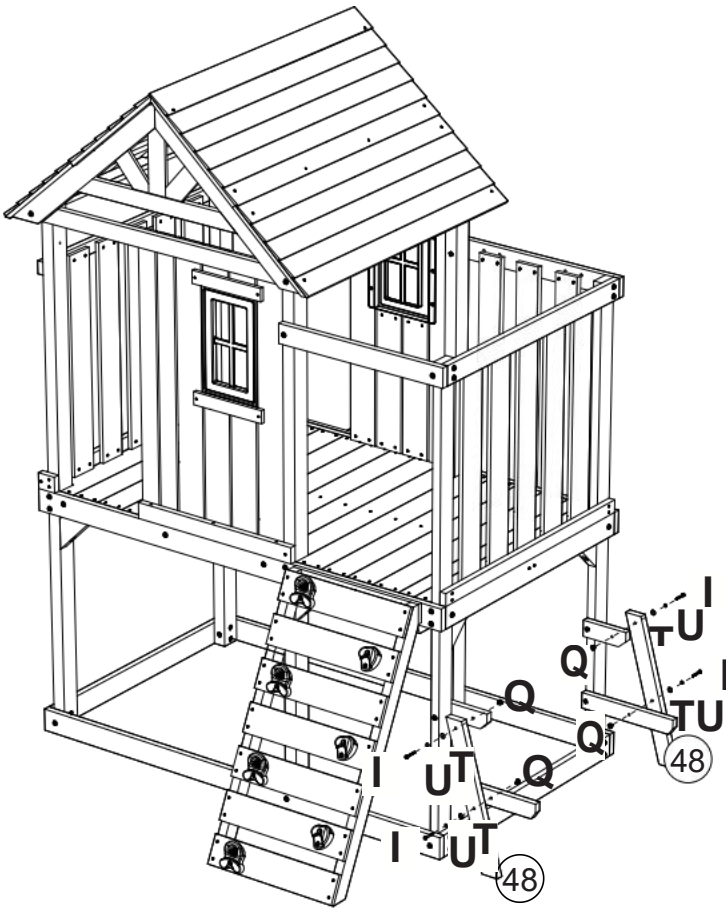
Q x 4

T x 4

U x 4

Step
Étape
Paso

55



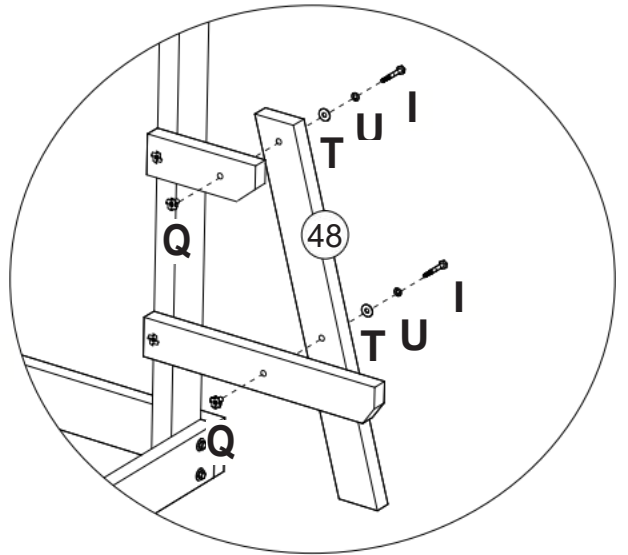
48 x 2

I x 4

Q x 4

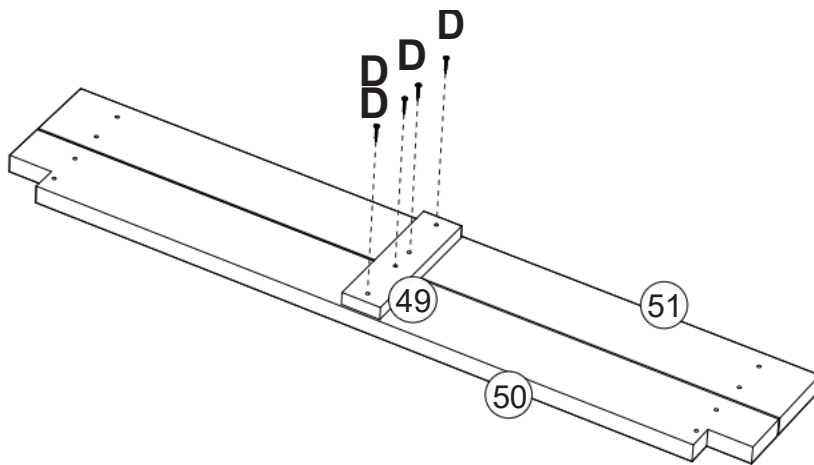
T x 4

U x 4



Step
Étape
Paso

56



49 x 1

50 x 1

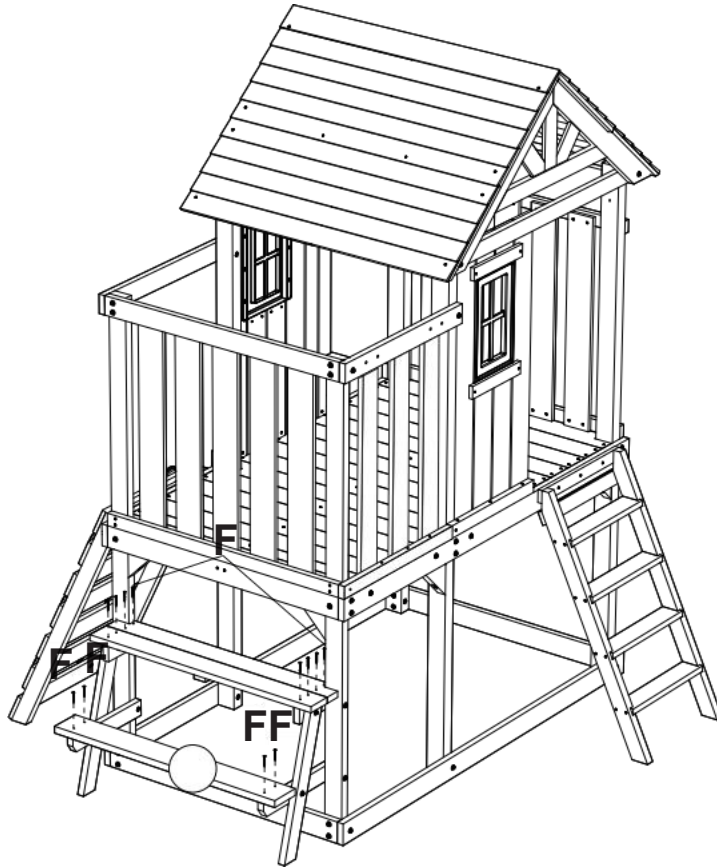
51 x 1

D x 4



Step
Étape
Paso

57



52 x 1

F x 12

Step
Étape
Paso

58

53 x 2

54 x 1

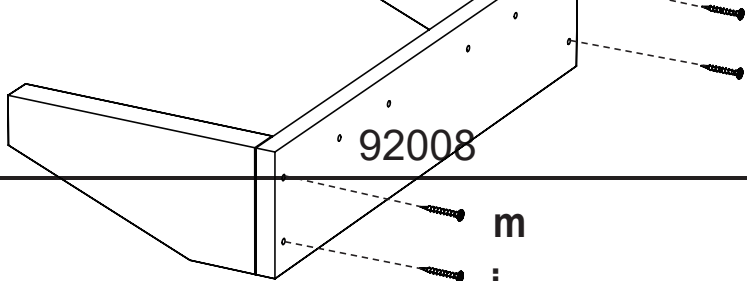
E x 4

53

53

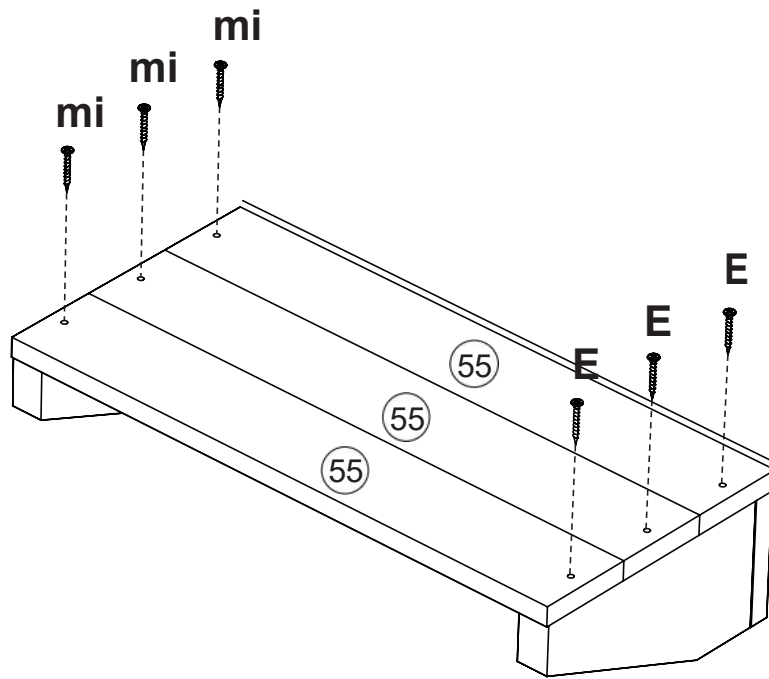
54

E
E



Step
Étape
Paso

59

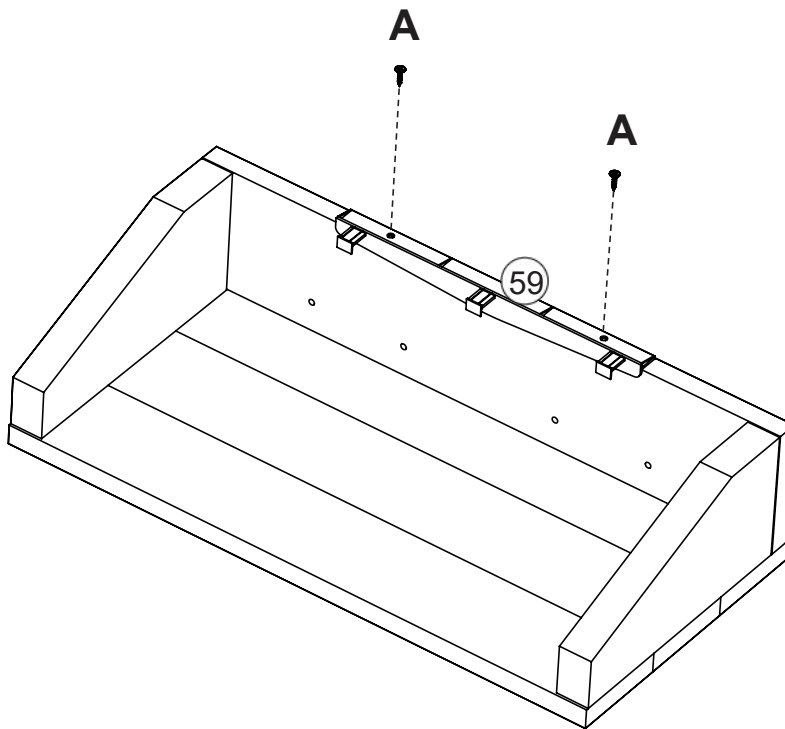


55 x 3

E x 6

Step
Étape
Paso

60



59 x 1

A x 2

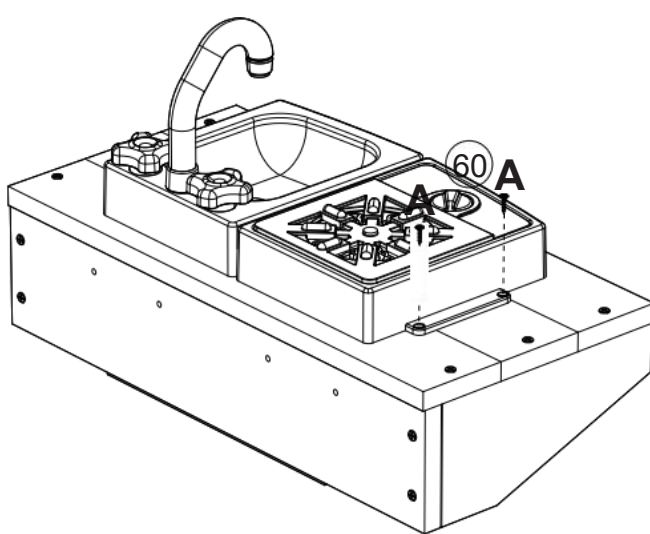
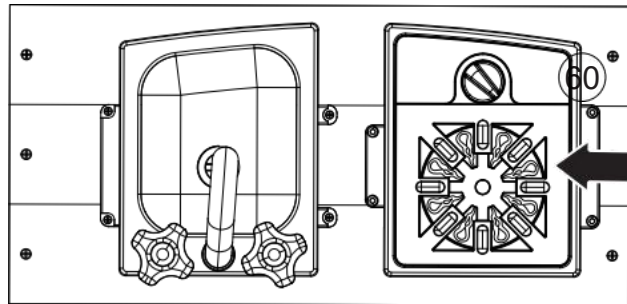
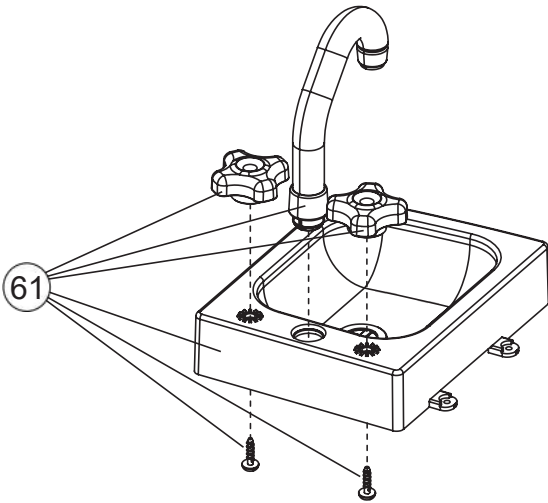
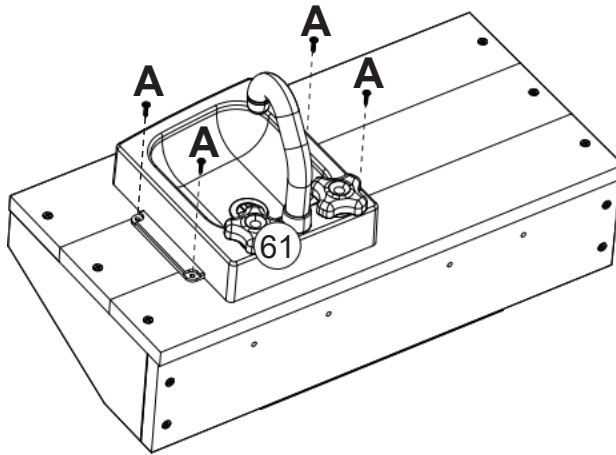
Step
Étape
Paso

61

60 x 1

61 x 1

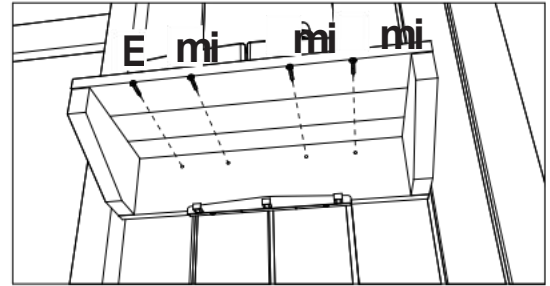
A x 6



Step
Étape
Paso

62

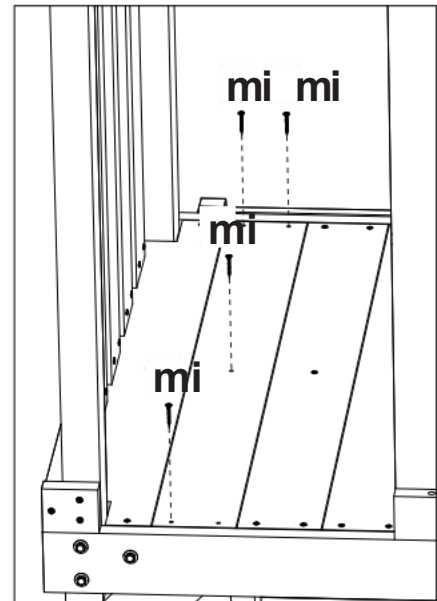
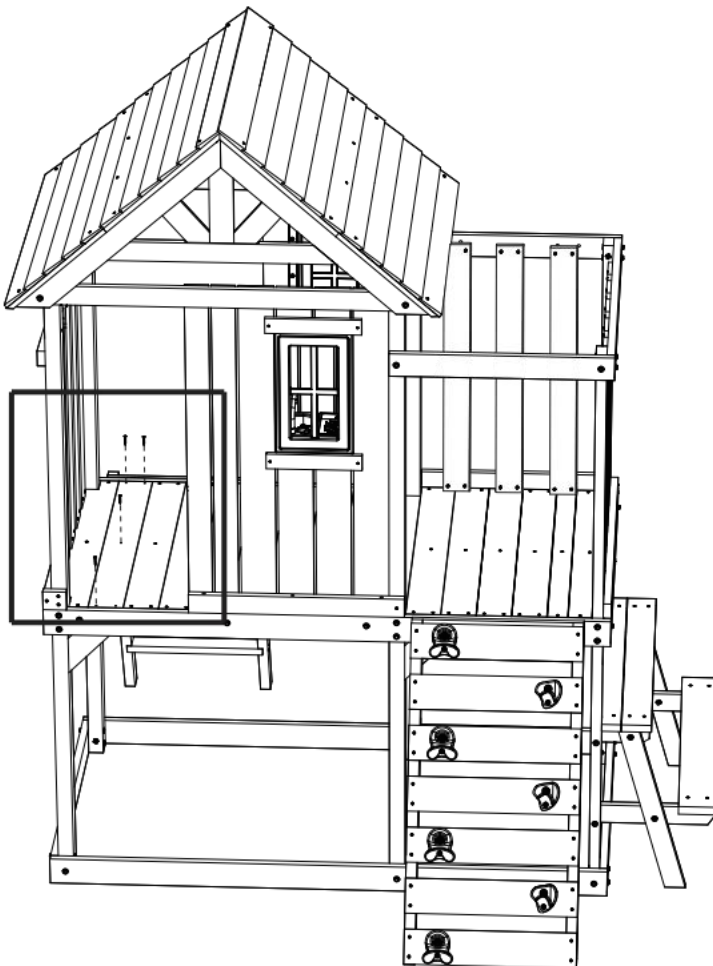
mi x 4



Step
Étape
Paso

63

mi x 4



Step
Étape
Paso

64



62 x 1

F x 2

S x 2

Step
Étape
Paso

65

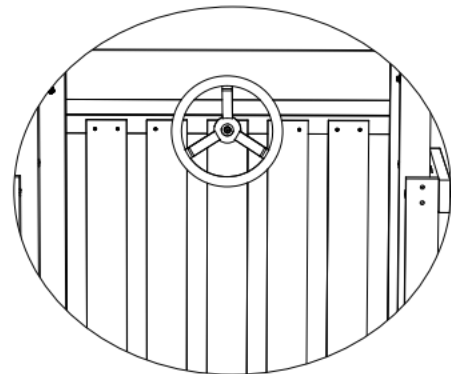
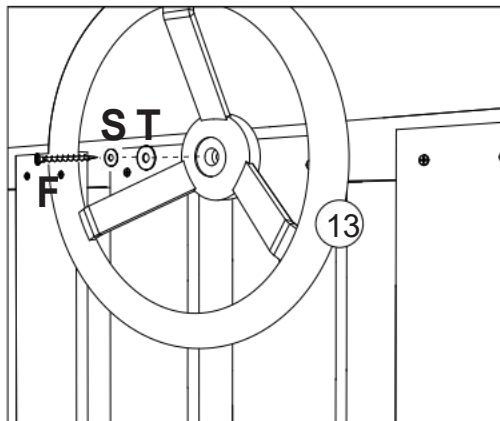


13 x 1

F x 1

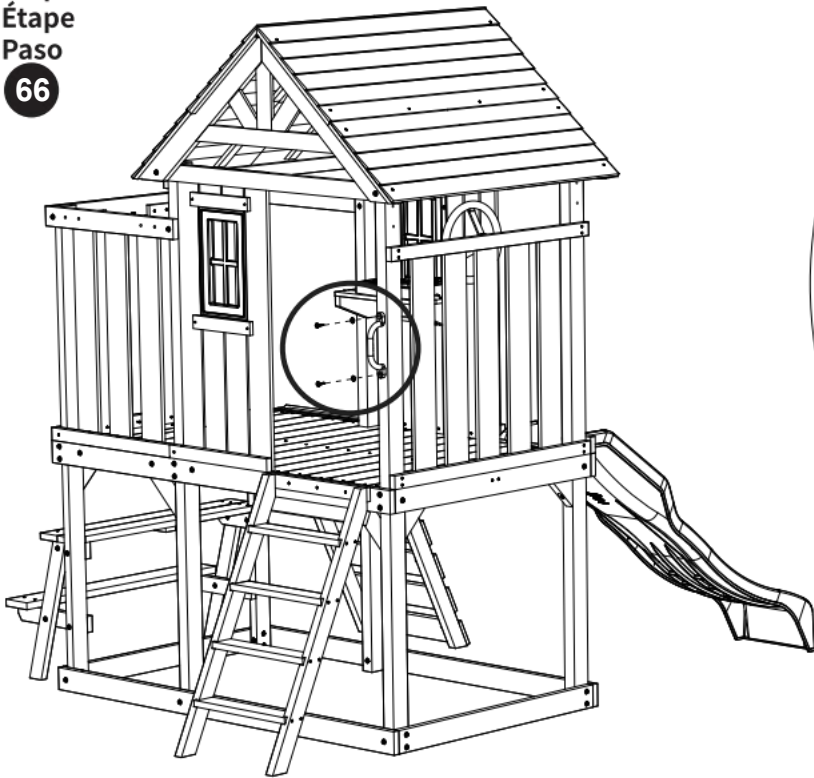
S x 1

T x 1



Step
Étape
Paso

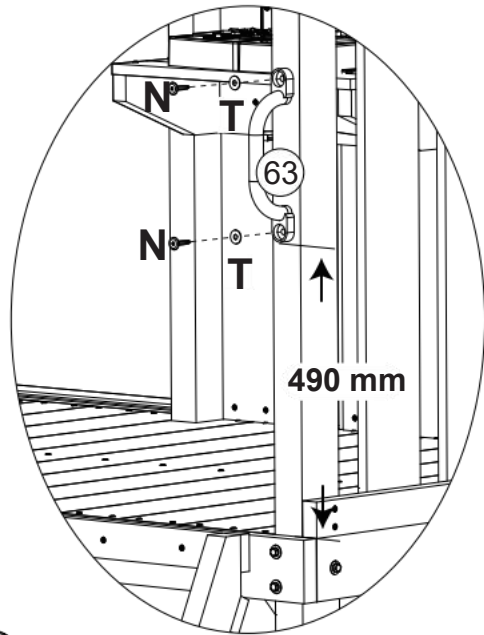
66



63 x 1

N x 2

T x 2



Step
Étape
Paso

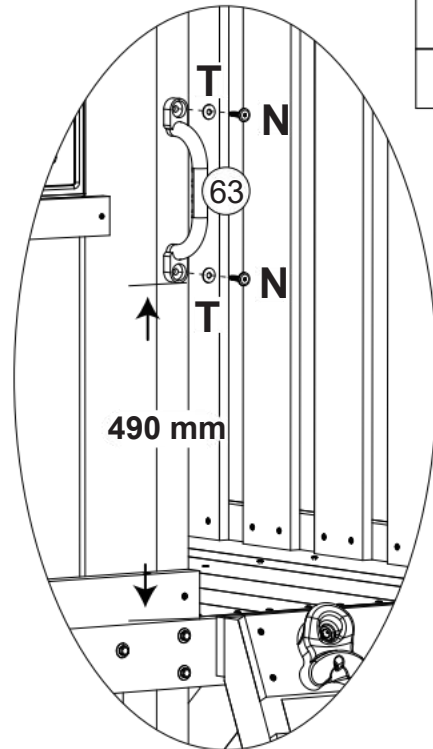
67



63 x 1

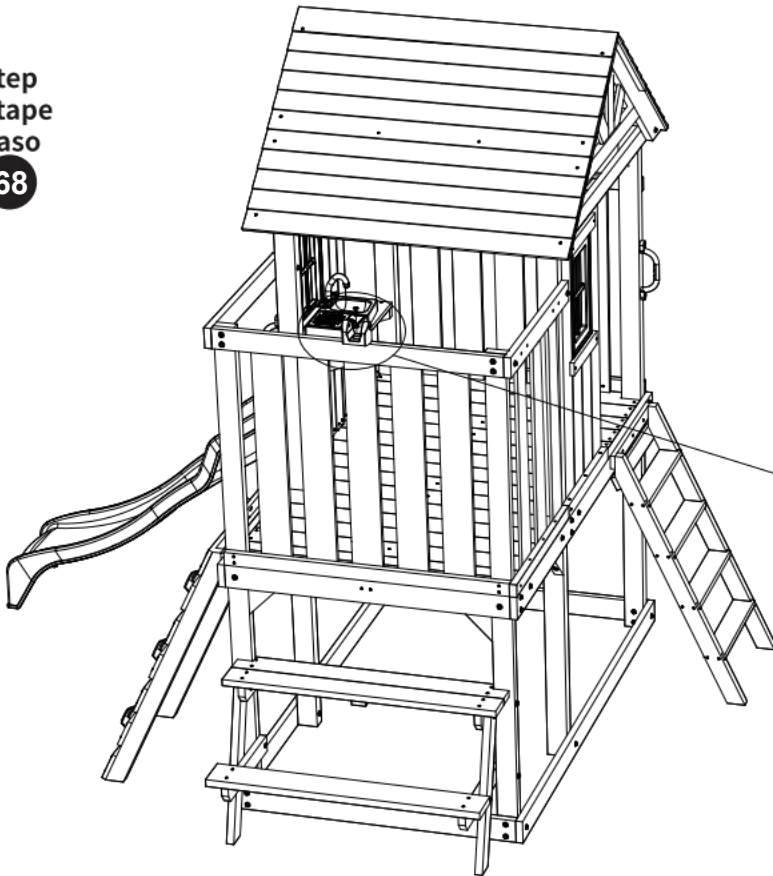
N x 2

T x 2



Step
Étape
Paso

68

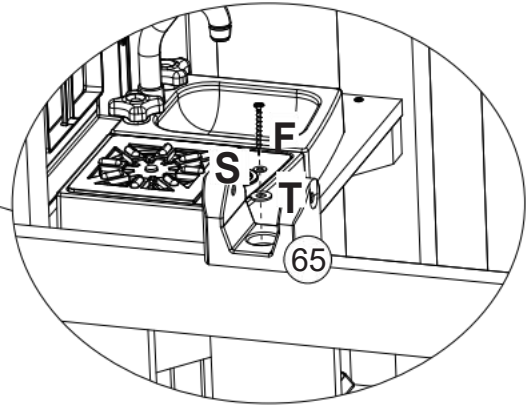


65 x 1

F x 1

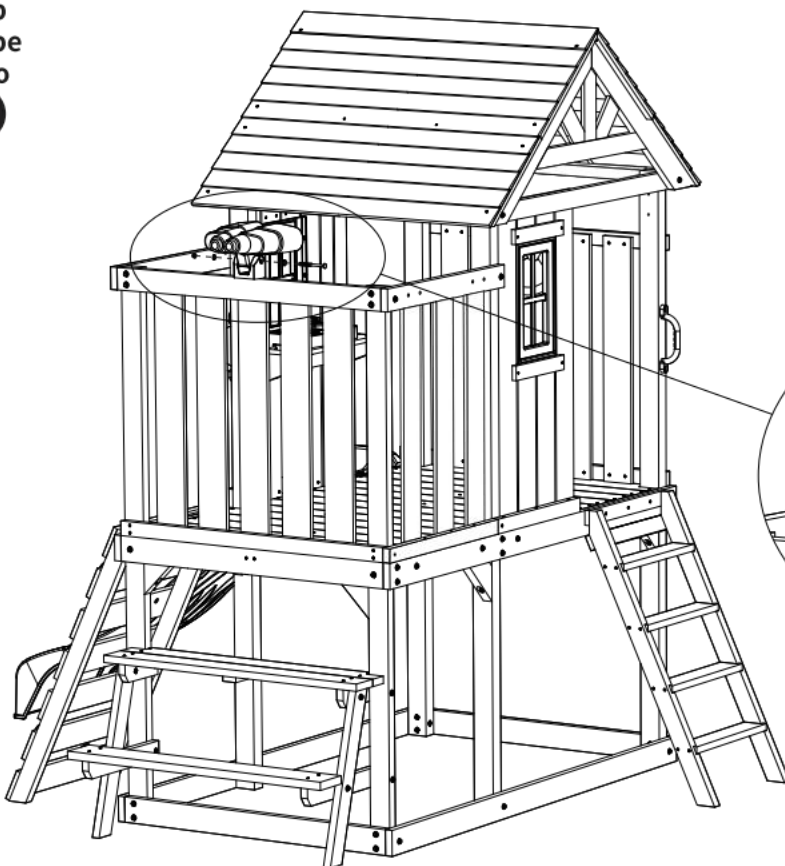
S x 1

T x 1

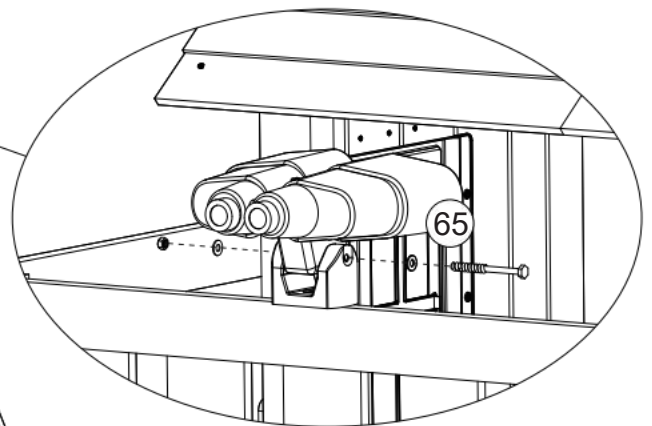


Step
Étape
Paso

69



65 x 1



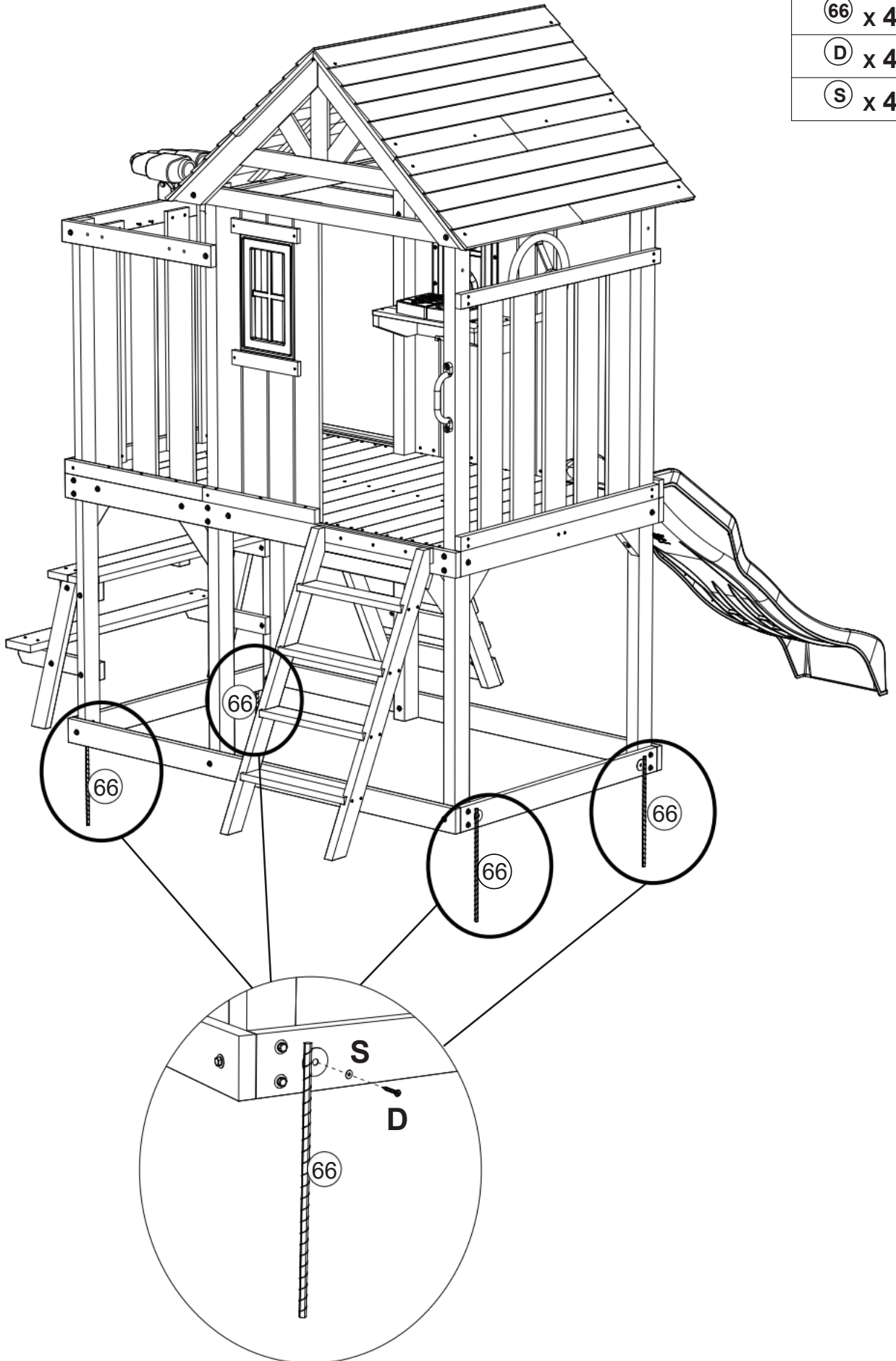
Step
Étape
Paso

70

66 x 4

D x 4

S x 4



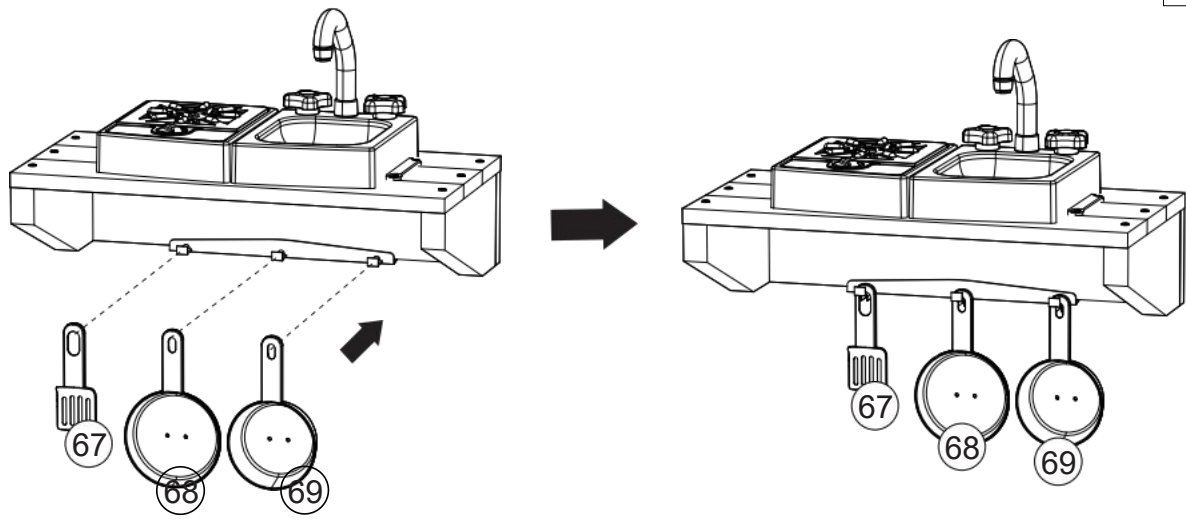
Step
Étape
Paso

71

67 x 1

68 x 1

69 x 1



MAINTENANCE

1. Clean and disinfect your product frequently to keep it clean and hygienic.
2. Check the reliability of the parts before use.

Manufacturer: Heze Jingran Woodware Co., Ltd.

Address: Zhuangzhai Town Industrial Park, Cao County, Shandong Province

EC REP: E-CrossStu GmbH.

Mainzer Landstr.69, 60329 Frankfurt am Main.

UK REP: YH CONSULTING LIMITED.

C/O YH Consulting Limited Office 147, Centurion House, London Road, Staines-upon-Thames, Surrey, TW18 4AX

Imported to AUS: SIHAO PTY LTD.

1 ROKEVA STREETEASTWOOD NSW 2122 Australia

Imported to USA: Sanven Technology Ltd.

Suite 250, 9166 Anaheim Place, Rancho Cucamonga, CA 91730

VEVOR[®]

WYTRZYMAŁE NARZĘDZIA, PÓŁ CENA

Wsparcie techniczne i Certyfikat e-Gwarancji

www.vevor.com/support

VEVOR^R

TOUGH TOOLS. HALF PRICE

Technischer Support und E-Garantie-Zertifikat www.vevor.com/support

KABINE SPIELHAUS

MODELL:TLG92008

Wir sind weiterhin bestrebt, Ihnen Werkzeuge mit wettbewerbsfähig Preis.
"Speichern Halb", "Halber Preis" oder andere ähnliche Ausdrücke benutzt von nur wir
repräsentiert ein Schätzung der Einsparungen, die Sie durch den Kauf erzielen könnten
bestimmt Werkzeuge mit uns verglichen Zu Die wesentlich
Spitze Marken und tut nicht bedeutet nicht notwendigerweise, alle Kategorien von
Werkzeugen angeboten von uns euch
Sind freundlich Bitte überprüfen Sie sorgfältig, wenn Sie eine Bestellung aufgeben mit uns
wenn du bist
tatsächlich sparen Hälfte im Vergleich zu den Top-Major Marken.

VEVOR^R

TOUGH TOOLS, HALF PRICE

CABIN PLAYHOUSE

MODELL: TLG92008



NEED HELP? CONTACT US!

Haben Fragen zum Produkt? Benötigen Sie technische Unterstützung?
Bitte fühlen frei Zu Kontakt uns:

**Technisch Unterstützung Und E-Garantie
Zertifikat www.vevor.com/support**

Das ist die Originalanleitung, bitte lesen alle Handbuch Anweisungen sorgfältig vor der Inbetriebnahme. VEVOR behält sich Deutung von unser Benutzerhandbuch. Das Aussehen der Produkt soll Sei Thema Zu Die Produkt, das Sie erhalten haben. Bitte verzeihen Sie uns, dass wir nicht informieren Du wieder Wenn Es gibt keine Technologie oder Software Aktualisierung An unser Produkt.

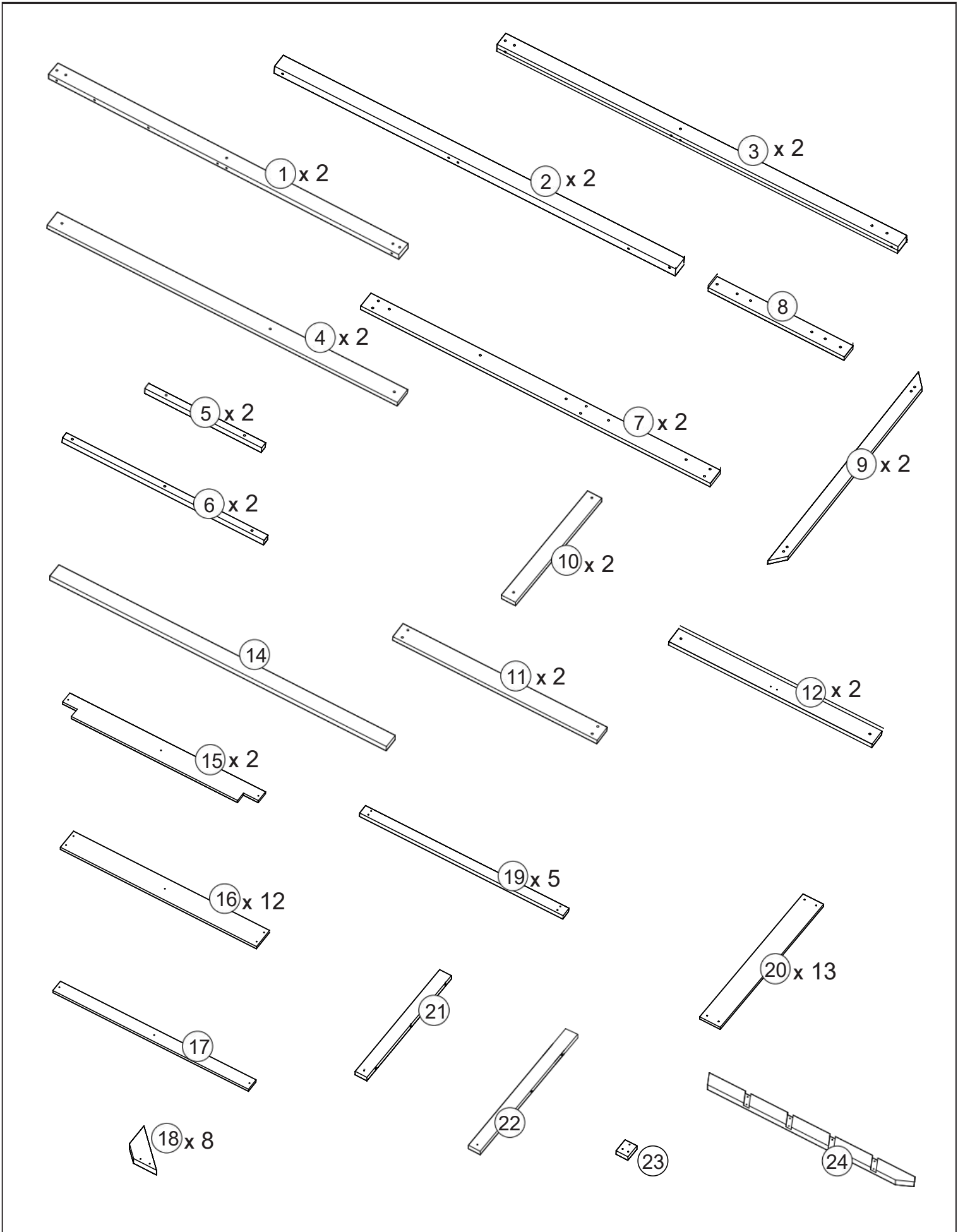
SAFETY INSTRUCTIONS

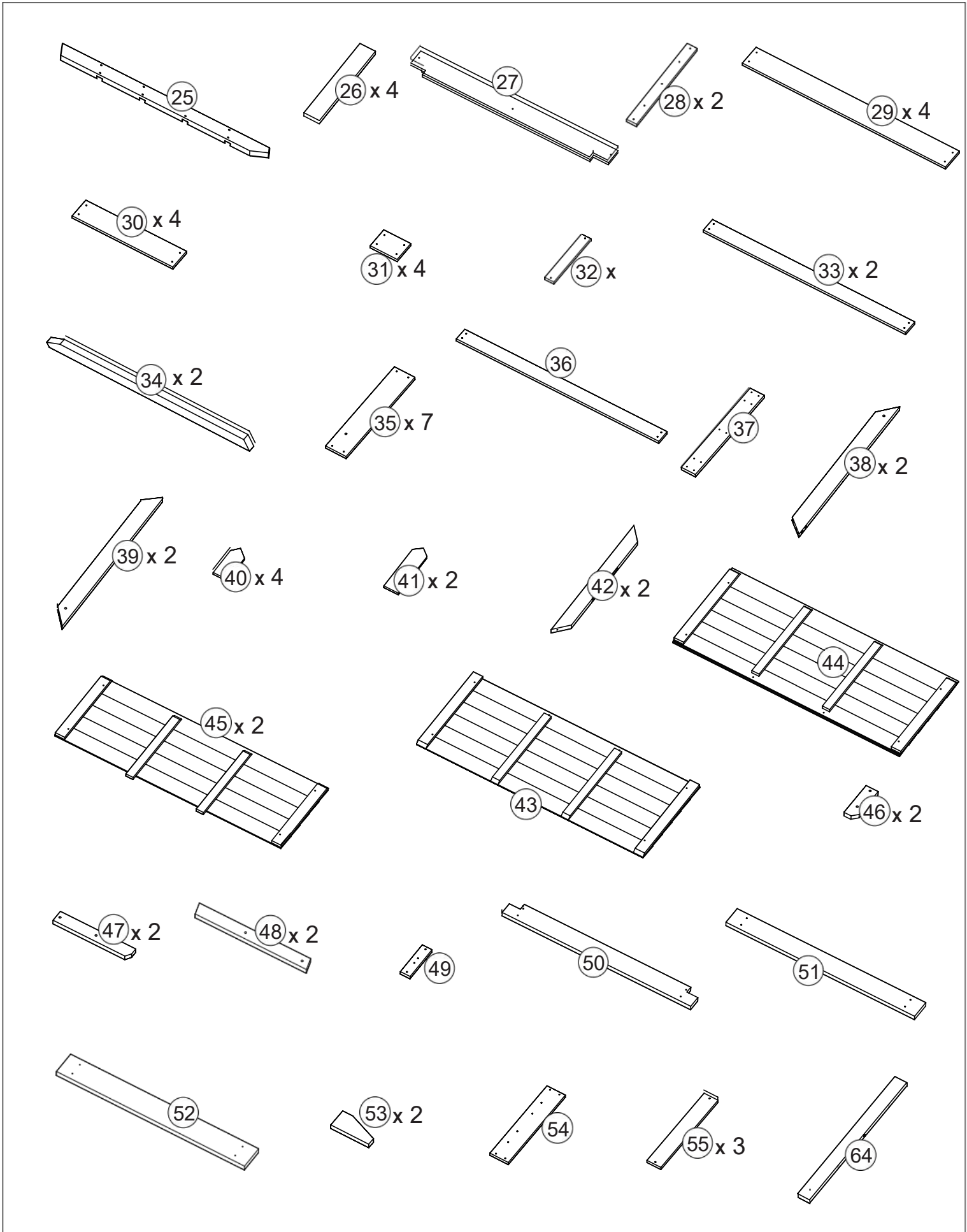
WARNING:

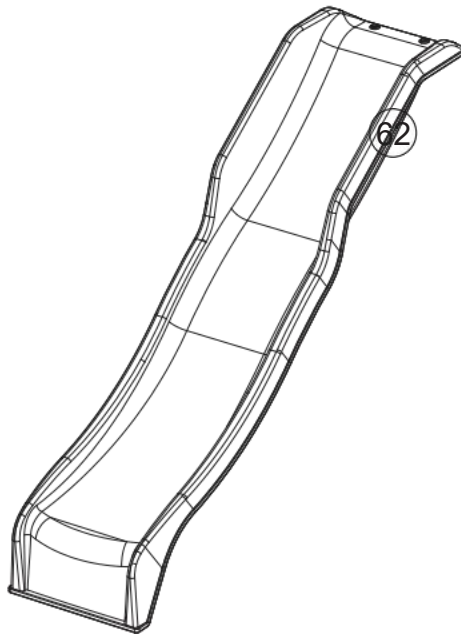
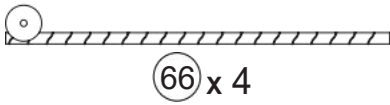
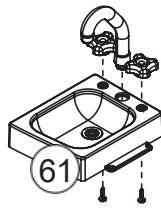
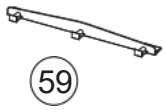
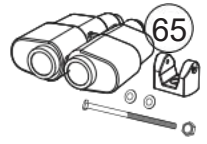
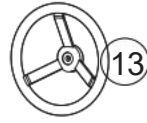
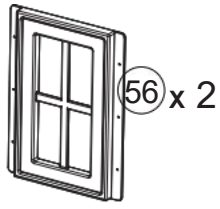
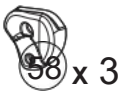
1. This manual lists the contents included in the box. Please take time to identify the hardware as well as the individual components of the product.
2. As you unpack and prepare for assembly, place the contents on a carpeted or padded area to protect them from damage.
3. Small parts present in unassembled state. It's a choking hazard!
4. Please follow the assembly instructions closely. Improper assembly can result in personal or property damage.
5. Assembled by an adult. In the process of play, parents should always accompany the children's side.
6. Do not install it in a dark, damp place.
7. Put it in a place with good ventilation.
8. Clean and disinfect your product frequently to keep it clean and hygienic.
9. Do not overload.









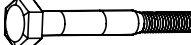
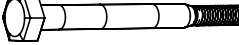
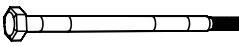
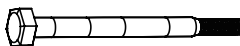

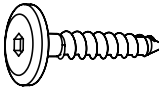
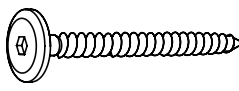
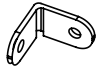
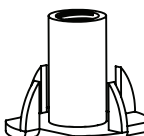
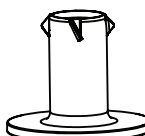
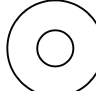
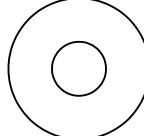
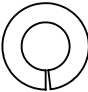
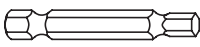
MODEL AND PARAMETERS

Model	TLG92008
Age of application	3-10 age
Product Size	2320*3100*2690 mm
Material	Wood







A	x 20	B	x 8	C	x 4	D	x 39	E	x 222
									
15 mm		20 mm		20 mm		25 mm		35 mm	
F	x 76	G	x 20	H	x 15	I	x 8	J	x 20
									
45 mm		60 mm		70 mm		H2		H3	
K	x 30	M	x 6	M	x 7	N	x 4	Ö	x 8
									
H4		H12		PB2		WL3		WL5	
P	x 4	Q	x 64	R	x 7	S	x 24	T	x 85
									
		TN1		BN1		FW3		FW1	
U	x 71		x 1						
									
LW1		T6							

Cleaning and Care:

Clean surfaces with a dry or damp soft cloth. Do not use abrasive cleaners.

Nettoyage et Entretien:

Nettoyer les surfaces avec un chiffon doux, sec ou humide. Ne pas utiliser de nettoyants abrasifs.

Limpieza y Cuidado:

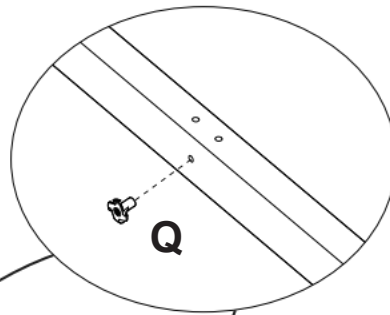
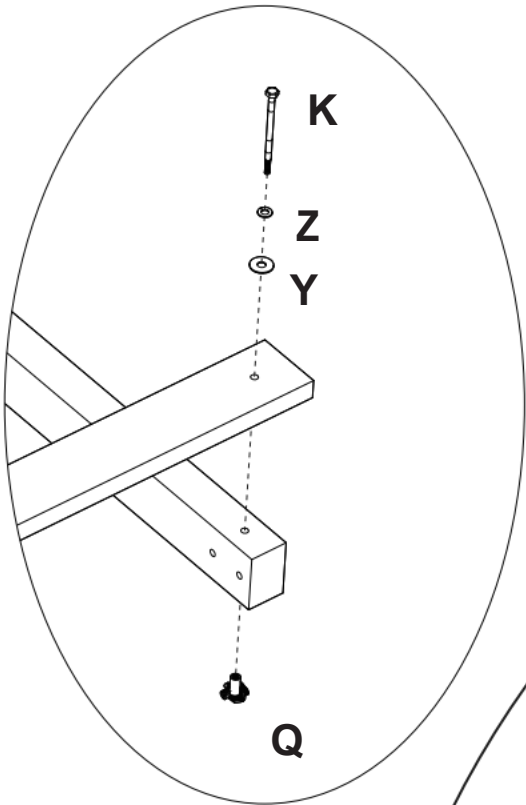
Limpie las superficies con un paño suave seco o húmedo. No use limpiadores abrasivos.

Step
Étape
Paso

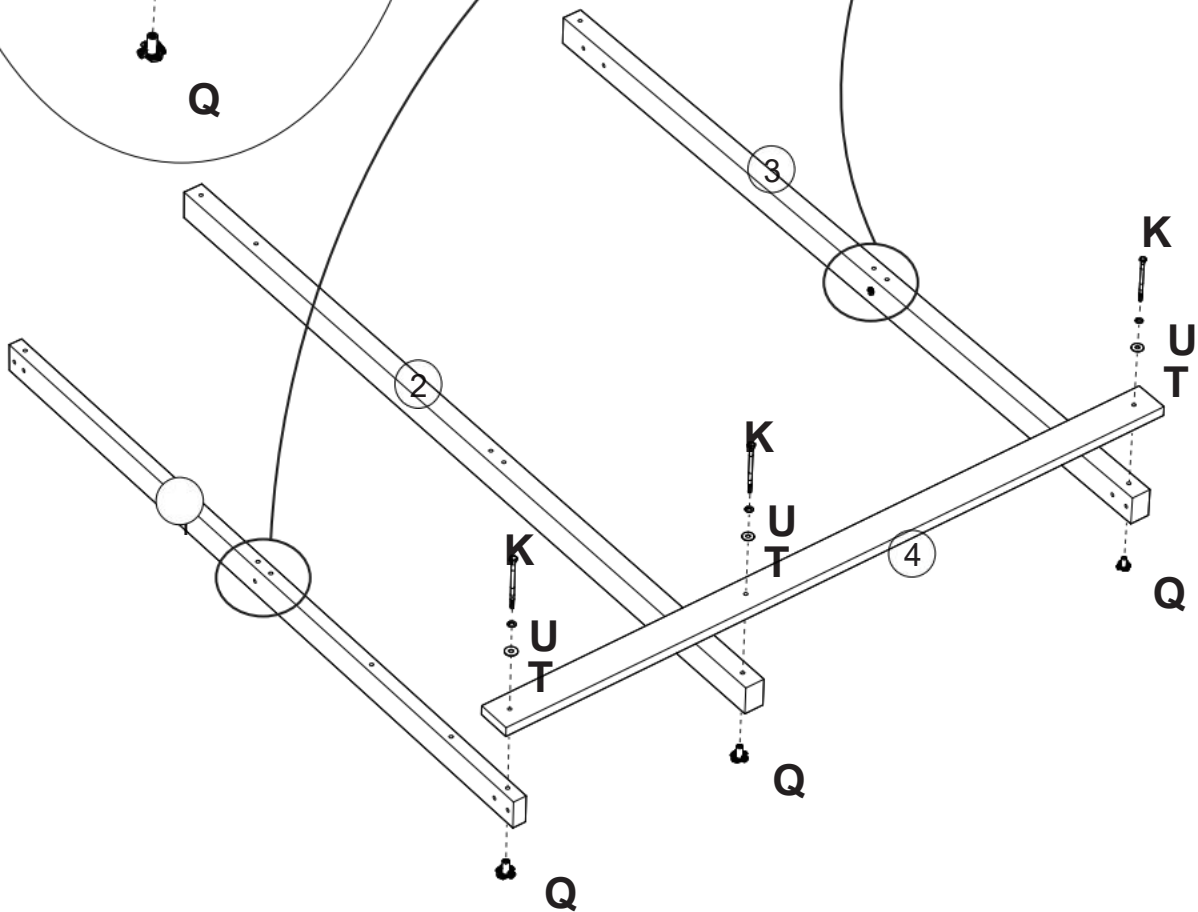
1



- ① x 1
- ② x 1
- ③ x 1
- ④ x 1
- Ⓚ x 3
- Ⓠ x 5
- Ⓣ x 3
- Ⓤ x 3

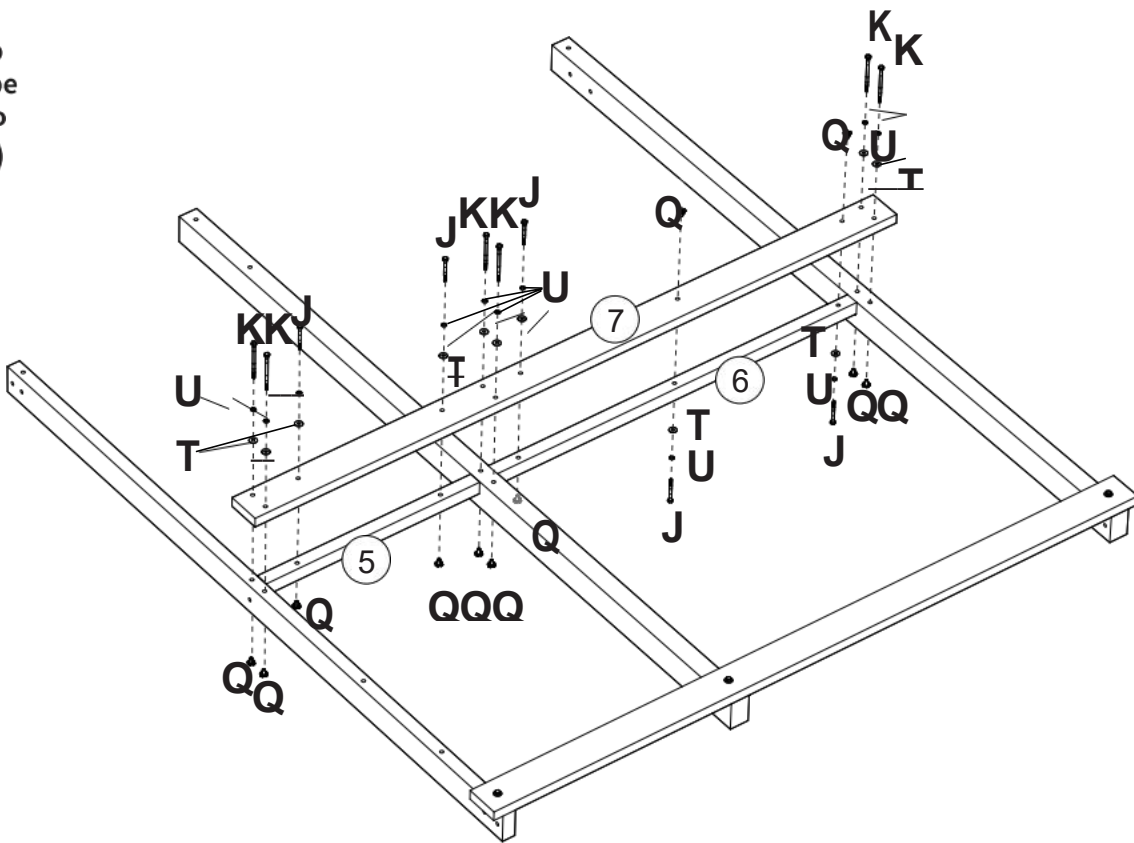


Montieren T -
Muttern zuerst mit
Hammer !



Step
Étape
Paso

2



⑤ x 1

⑥ x 1

⑦ x 1

Ⓚ x 6

Ⓝ x 5

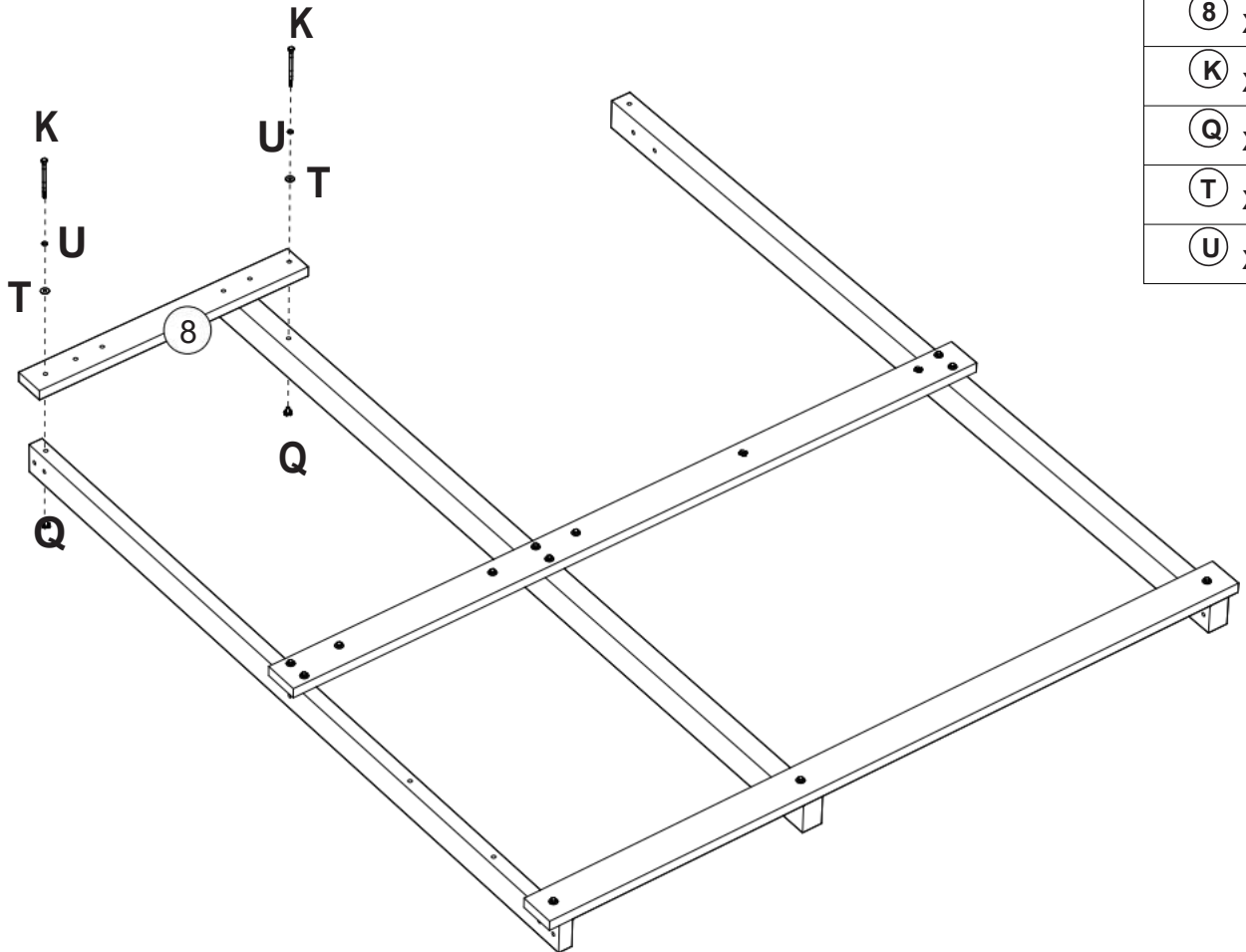
Ⓠ x 11

Ⓣ x 11

Ⓤ x 11

Step
Étape
Paso

3



⑧ x 1

Ⓚ x 2

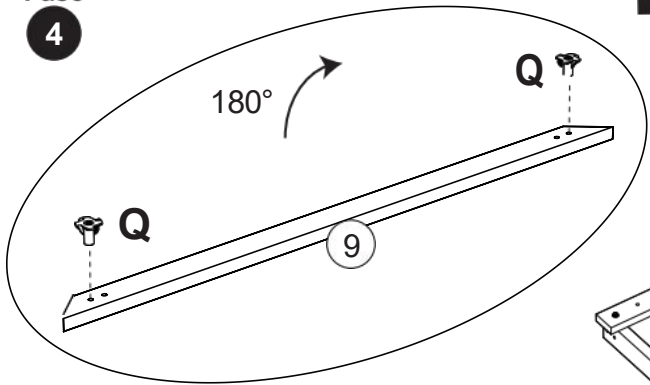
Ⓠ x 2

Ⓣ x 2

Ⓤ x 2

Step
Étape
Paso

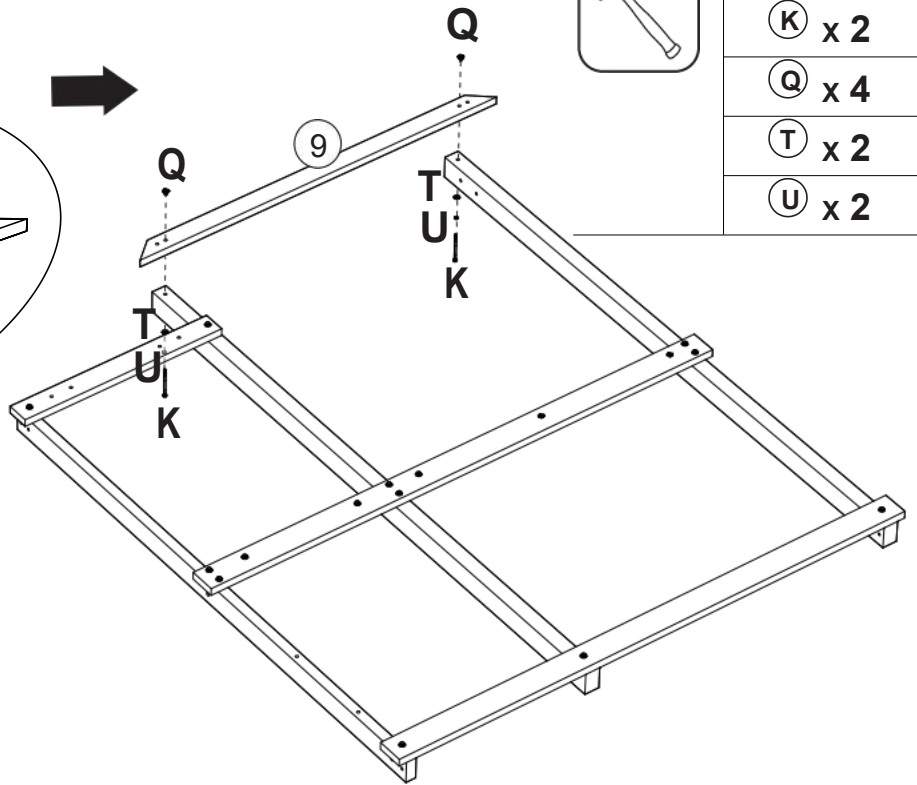
4



Assemble T-Nuts first with hammer!

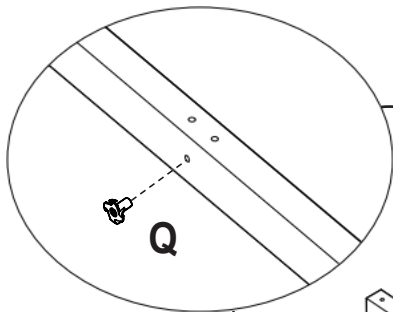


- ⑨ x 1
- Ⓚ x 2
- Ⓠ x 4
- Ⓣ x 2
- Ⓤ x 2

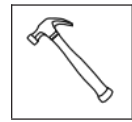


Step
Étape
Paso

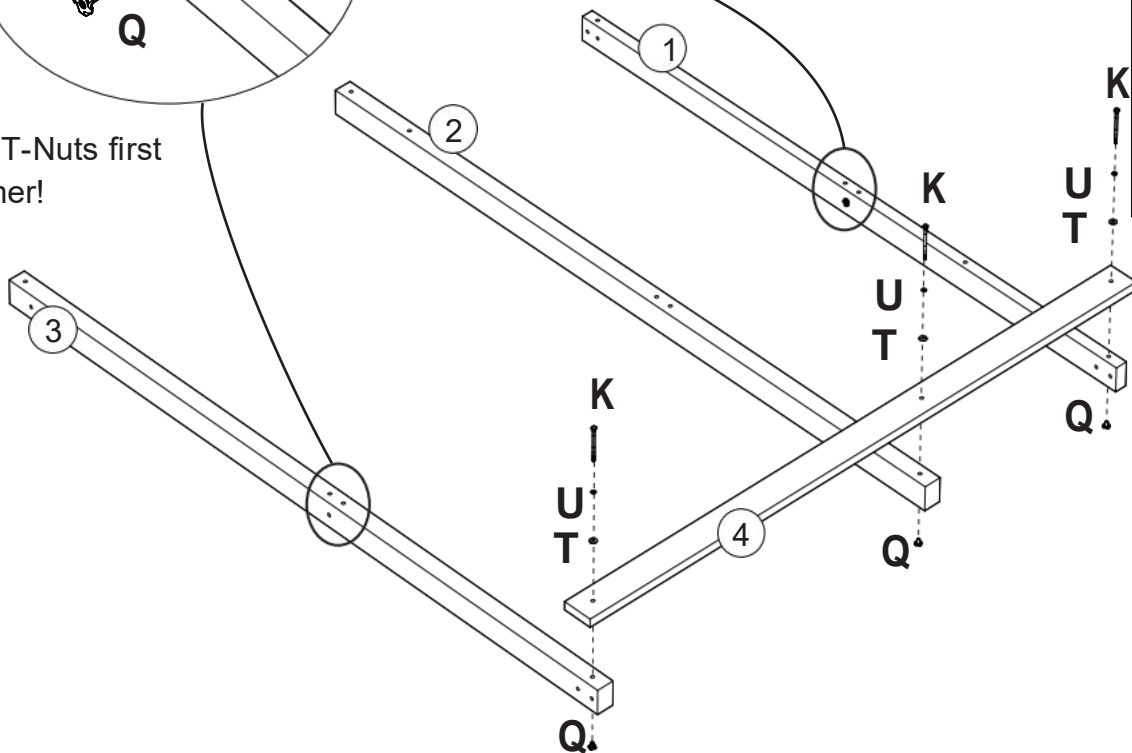
5



Assemble T-Nuts first with hammer!

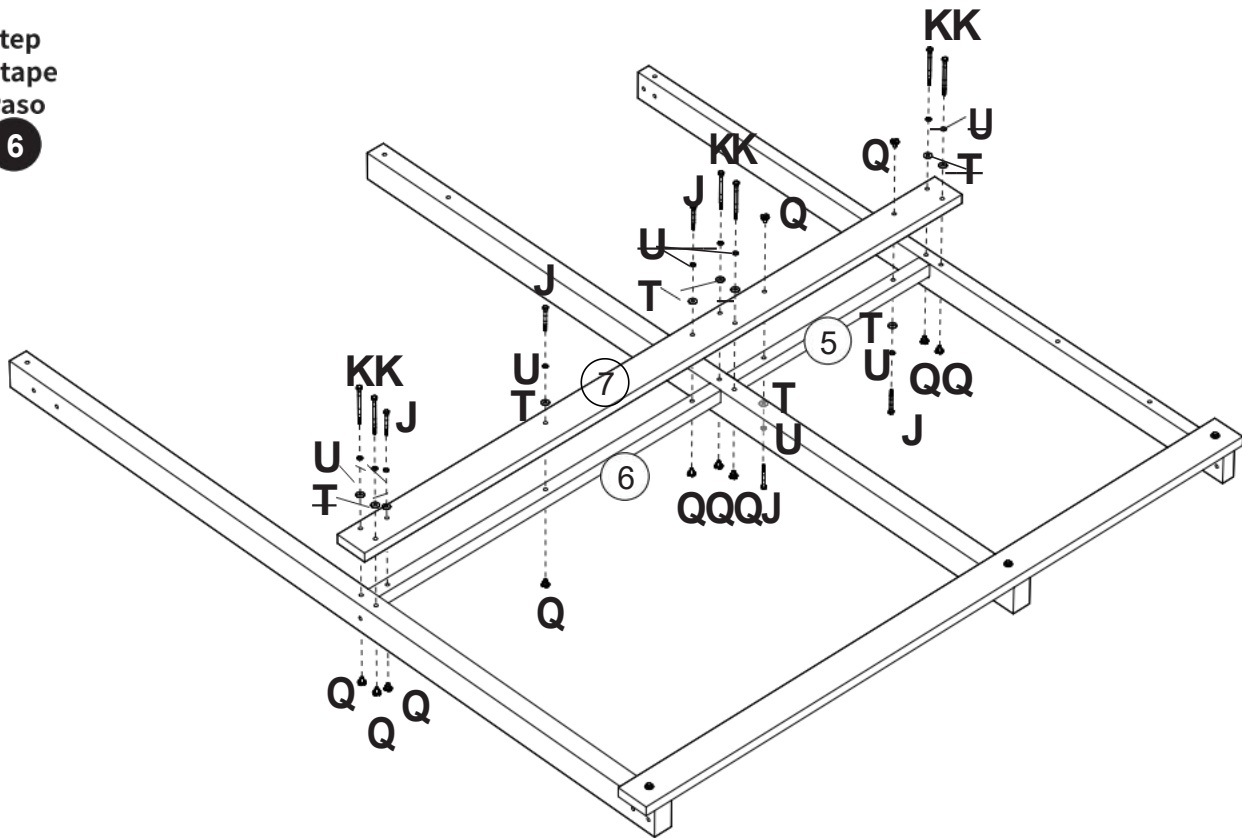


- ① x 1
- ② x 1
- ③ x 1
- ④ x 1
- Ⓚ x 3
- Ⓠ x 5
- Ⓣ x 3
- Ⓤ x 3



Step
Étape
Paso

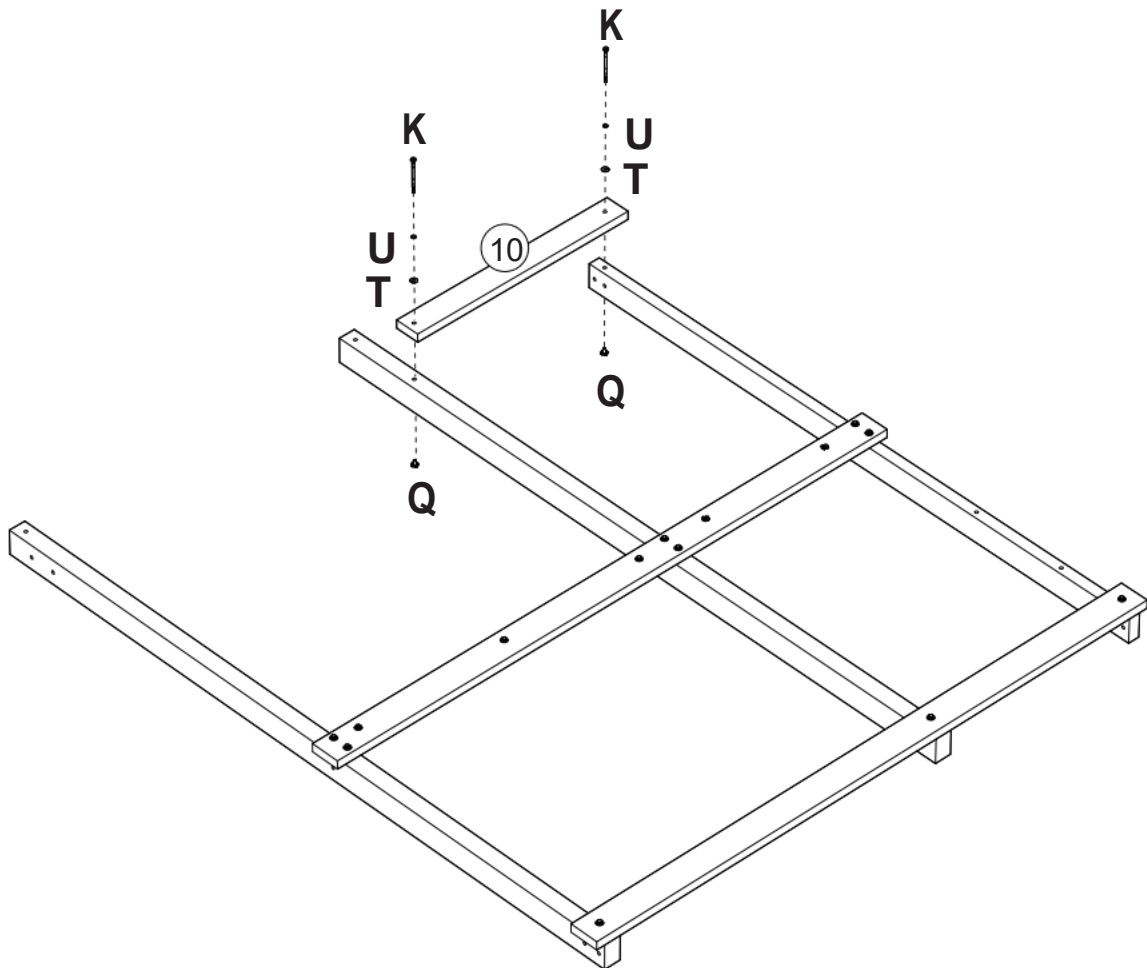
6



- ⑤ x 1
- ⑥ x 1
- ⑦ x 1
- Ⓚ x 6
- Ⓝ x 5
- Ⓠ x 11
- Ⓣ x 11
- Ⓤ x 11

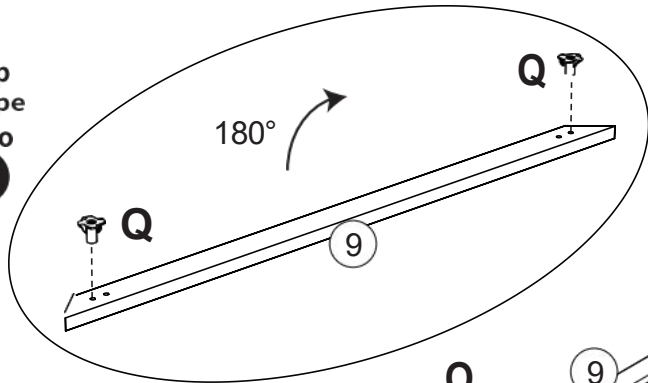
Step
Étape
Paso

7

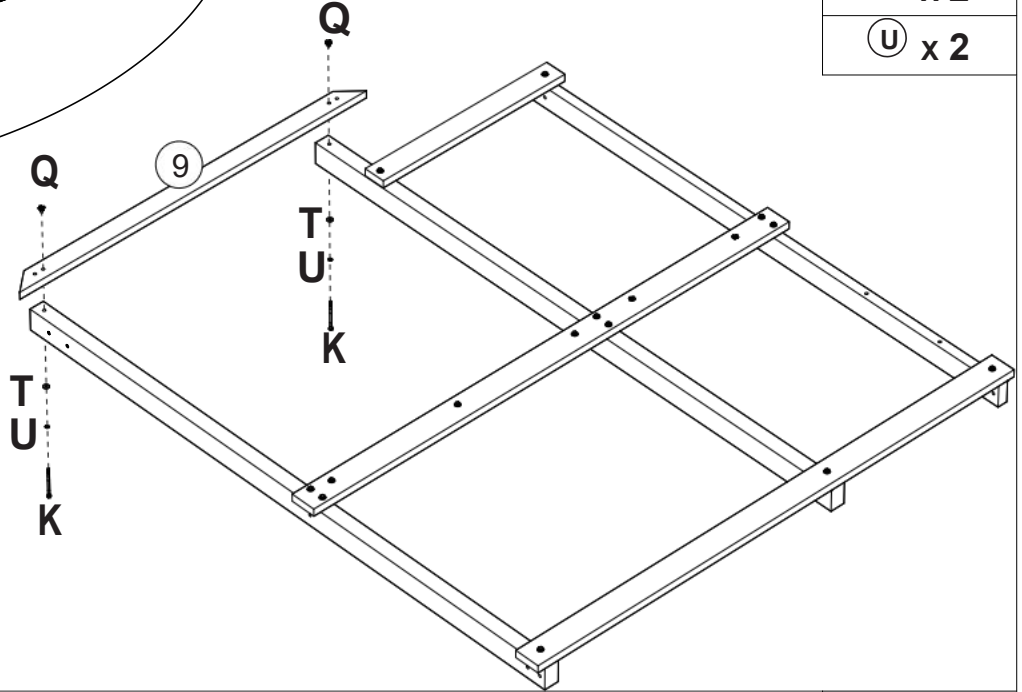


- ⑩ x 1
- Ⓚ x 2
- Ⓠ x 2
- Ⓣ x 2
- Ⓤ x 2

Step
Étape
Paso
8

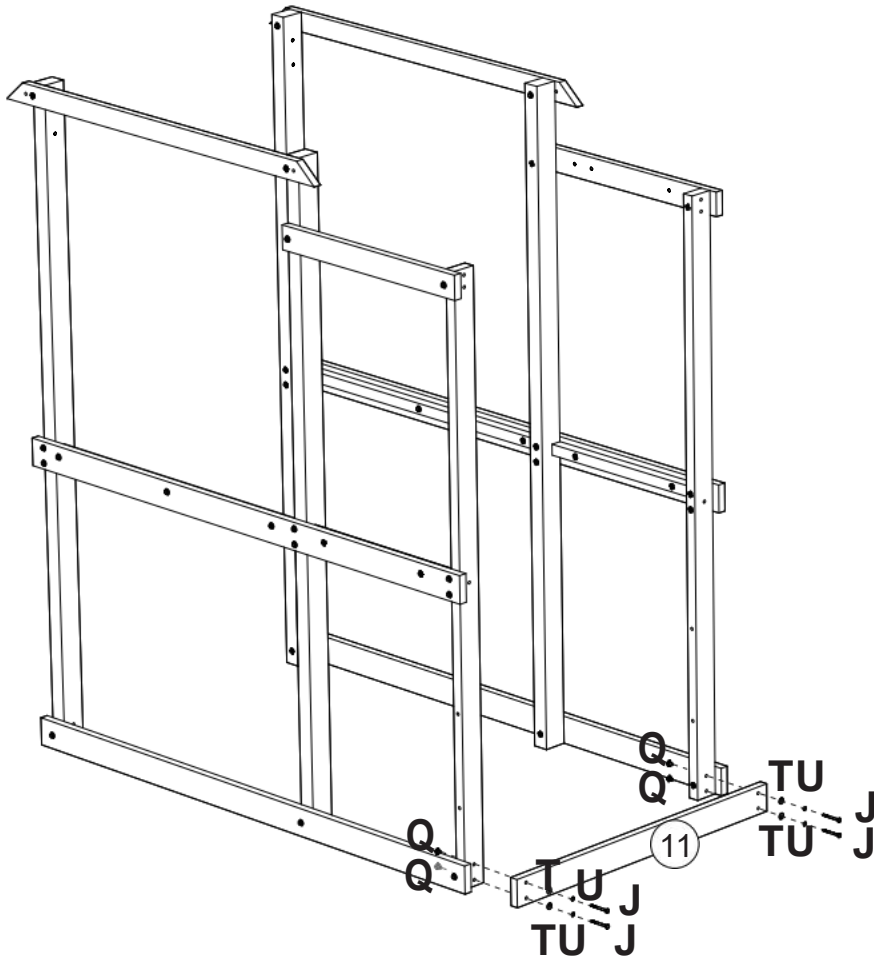


Assemble T-Nuts first
with hammer!



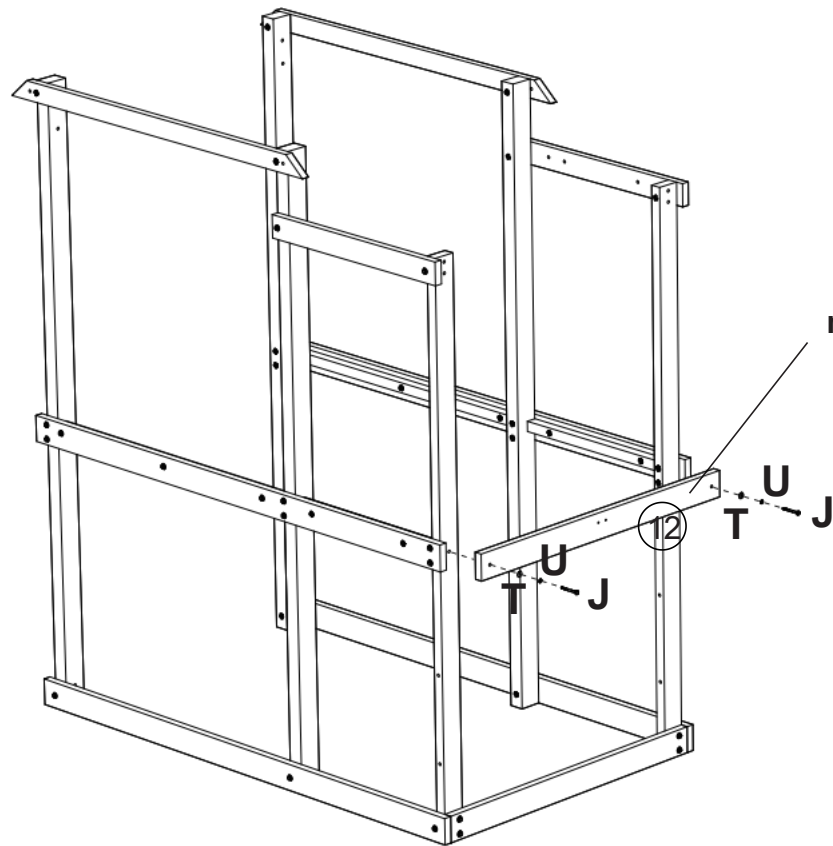
- ⑨ x 1
- Ⓚ x 2
- Ⓚ x 4
- Ⓣ x 2
- Ⓤ x 2

Step
Étape
Paso
9



- ⑪ x 1
- Ⓚ x 4
- Ⓚ x 4
- Ⓣ x 4
- Ⓤ x 4

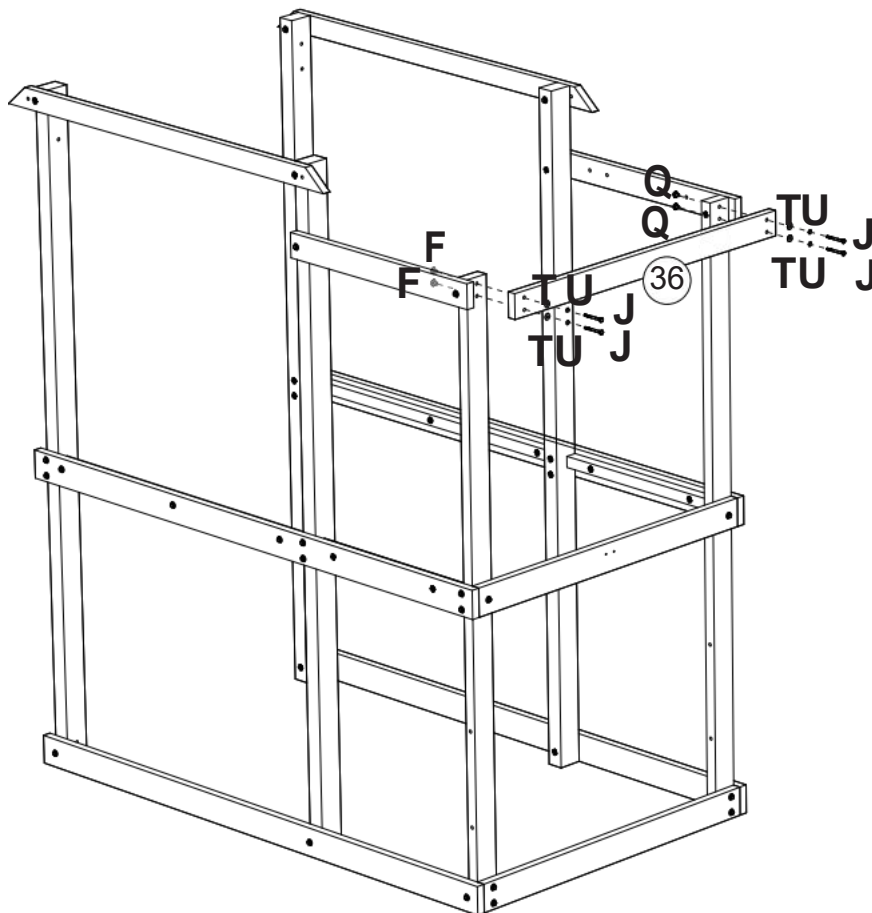
Step
Étape
Paso
10



⑫	x 1
ⓐ	x 2
Ⓣ	x 2
Ⓤ	x 2

mit Logo

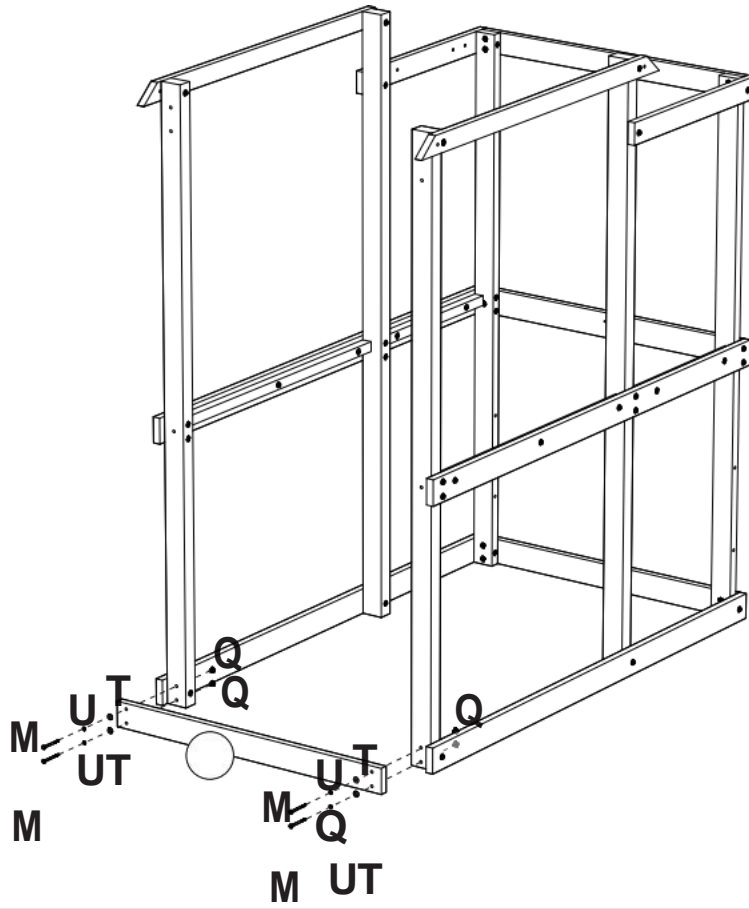
Step
Étape
Paso
11



③⑥	x 1
ⓐ	x 4
Ⓠ	x 4
Ⓣ	x 4
Ⓤ	x 4

Step
Étape
Paso

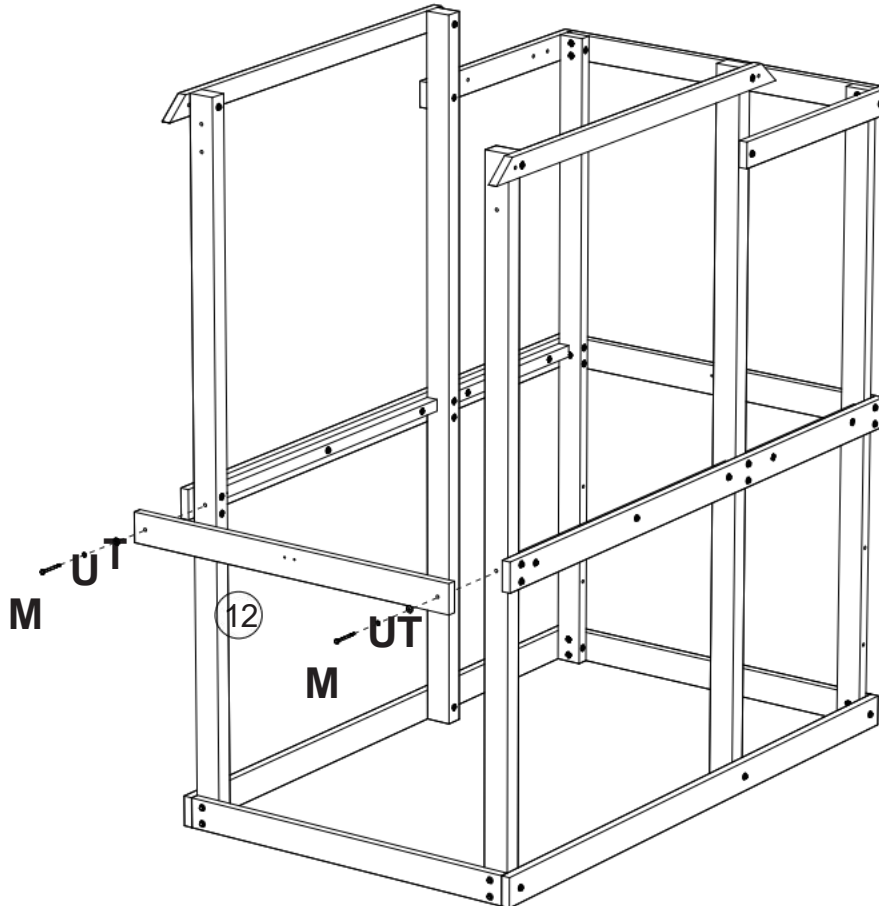
12



⑪	x 1
Ⓛ	x 4
Ⓠ	x 4
Ⓣ	x 4
Ⓤ	x 4

Step
Étape
Paso

13



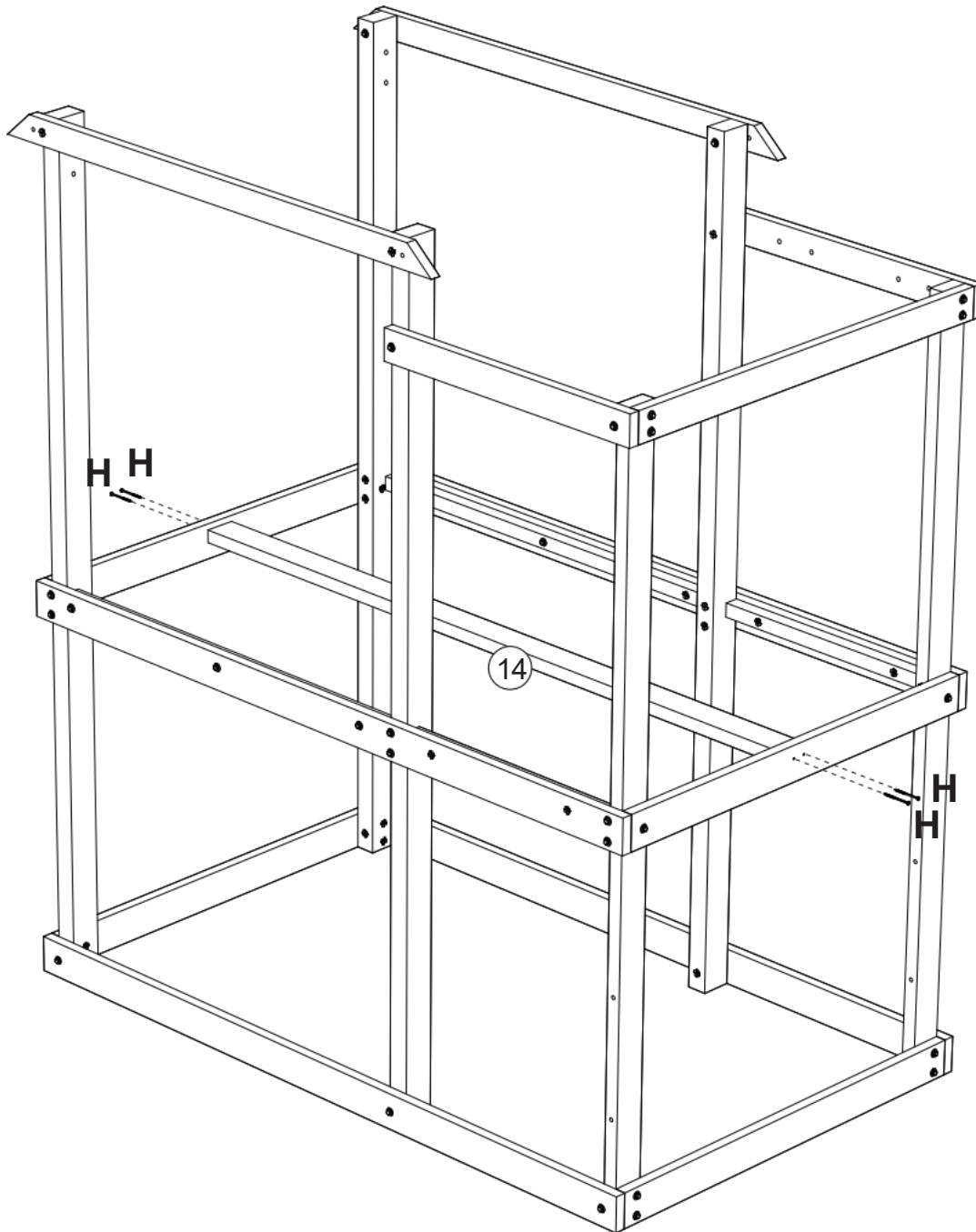
⑫	x 1
Ⓛ	x 2
Ⓣ	x 2
Ⓤ	x 2

14 x 1

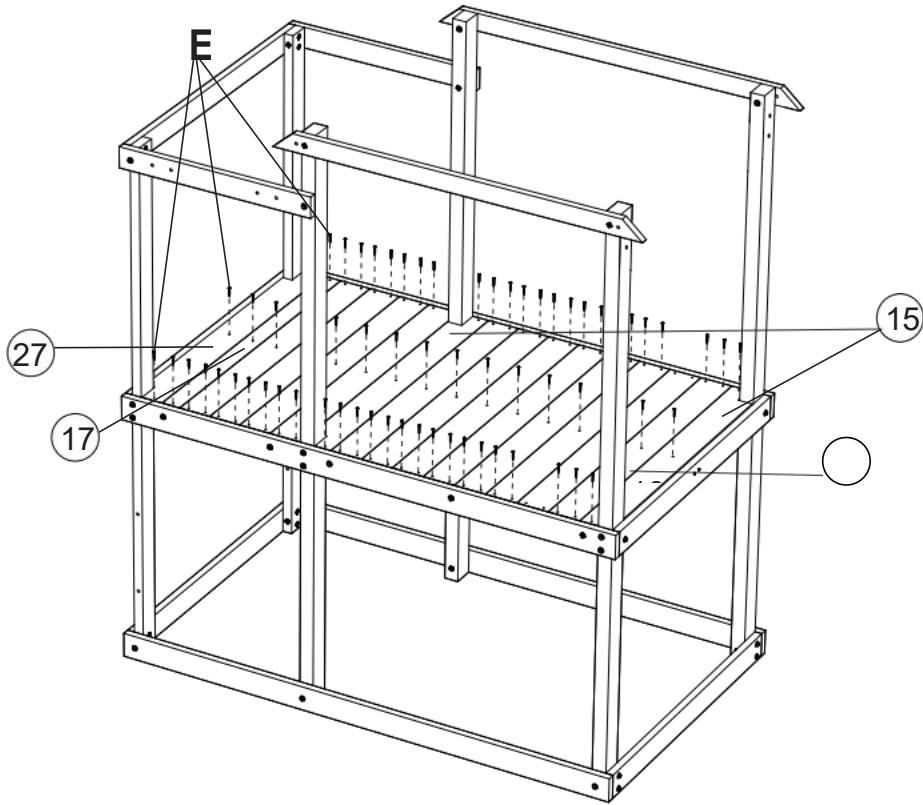
H x 4

Step
Étape
Paso

14

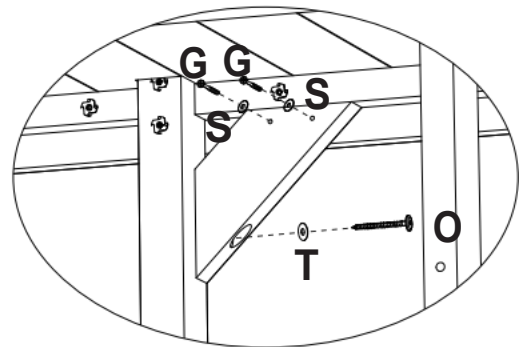
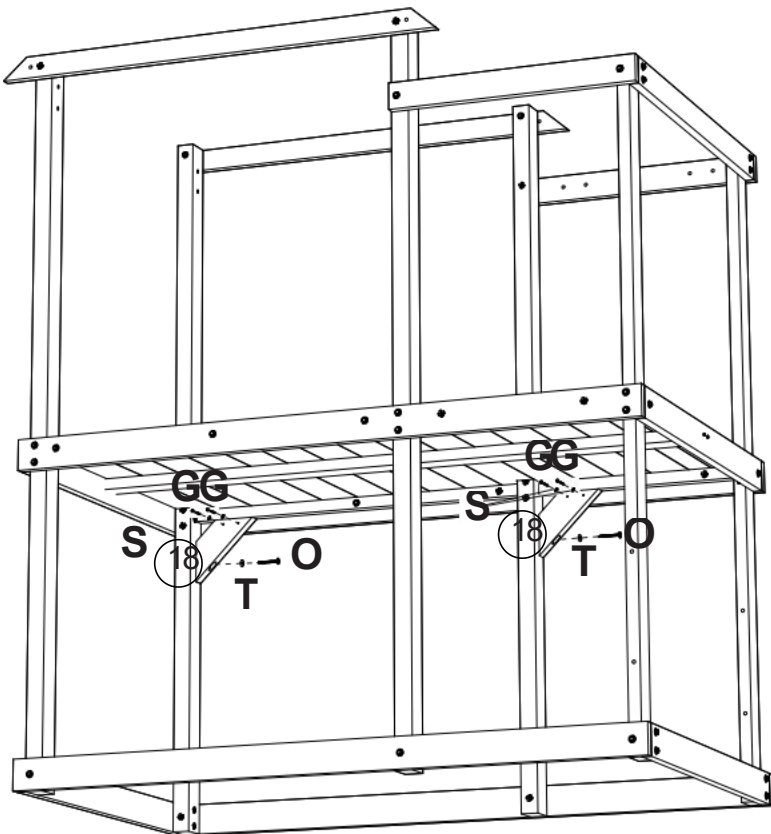


Step
Étape
Paso
15



- ⓫ x 2
- ⓬ x 12
- ⓭ x 1
- ⓮ x 1
- Ⓔ x 67

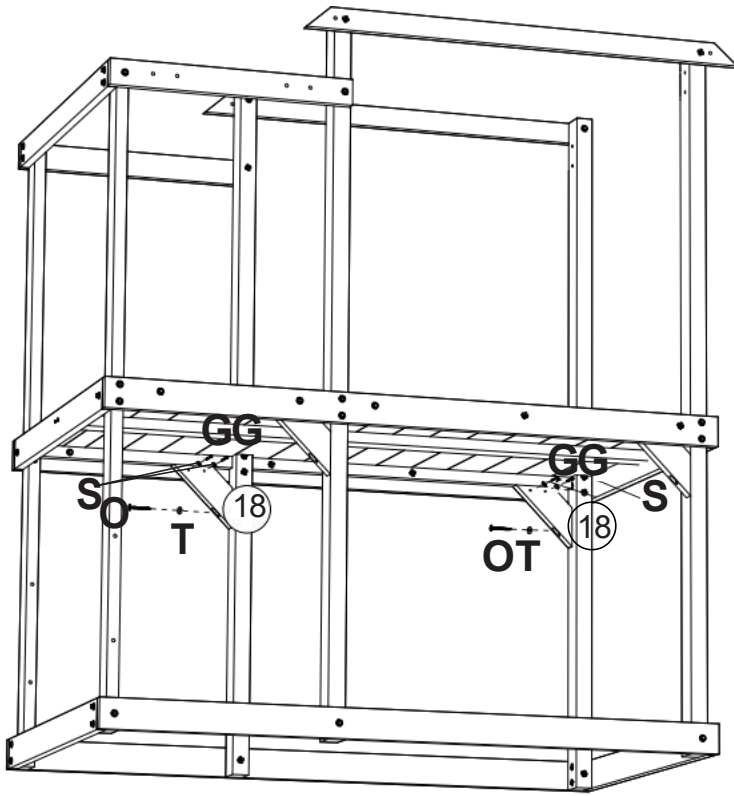
Step
Étape
Paso
16



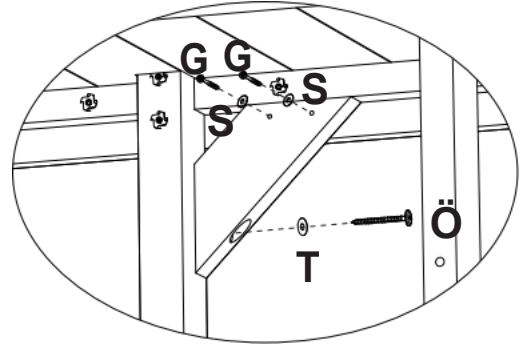
- ⓯ x 2
- ⓰ x 4
- ⓱ x 2
- ⓲ x 4
- ⓳ x 2

Step
Étape
Paso

17

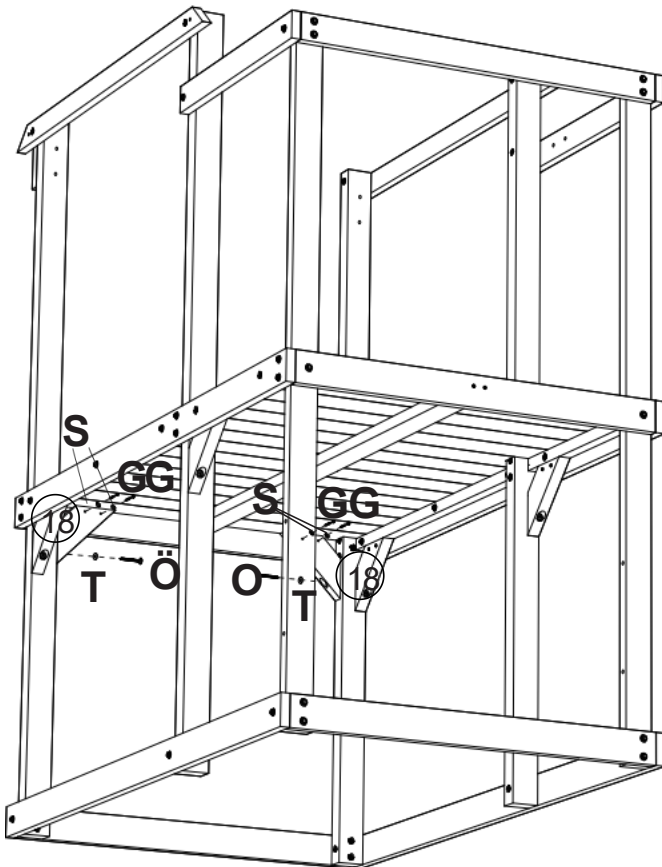


- ⓪ 18 x 2
- ⓪ G x 4
- ⓪ O x 2
- ⓪ S x 4
- ⓪ T x 2

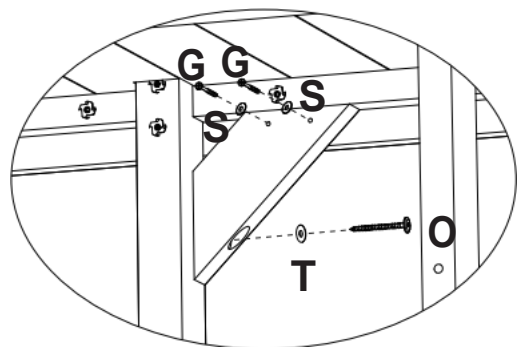


Step
Étape
Paso

18

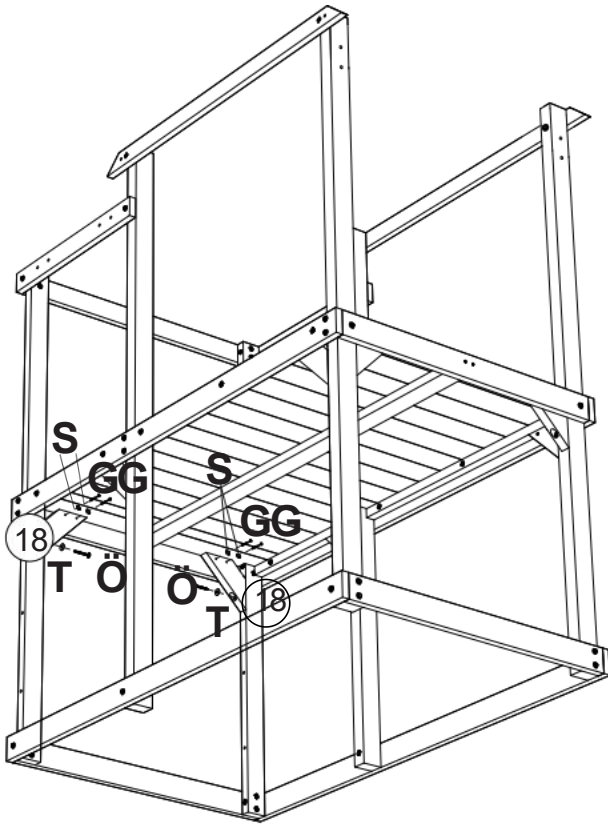


- ⓪ 18 x 2
- ⓪ G x 4
- ⓪ O x 2
- ⓪ S x 4
- ⓪ T x 2



Step
Étape
Paso

19



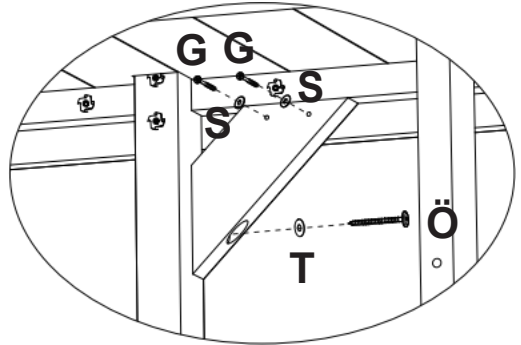
18 x 2

G x 4

O x 2

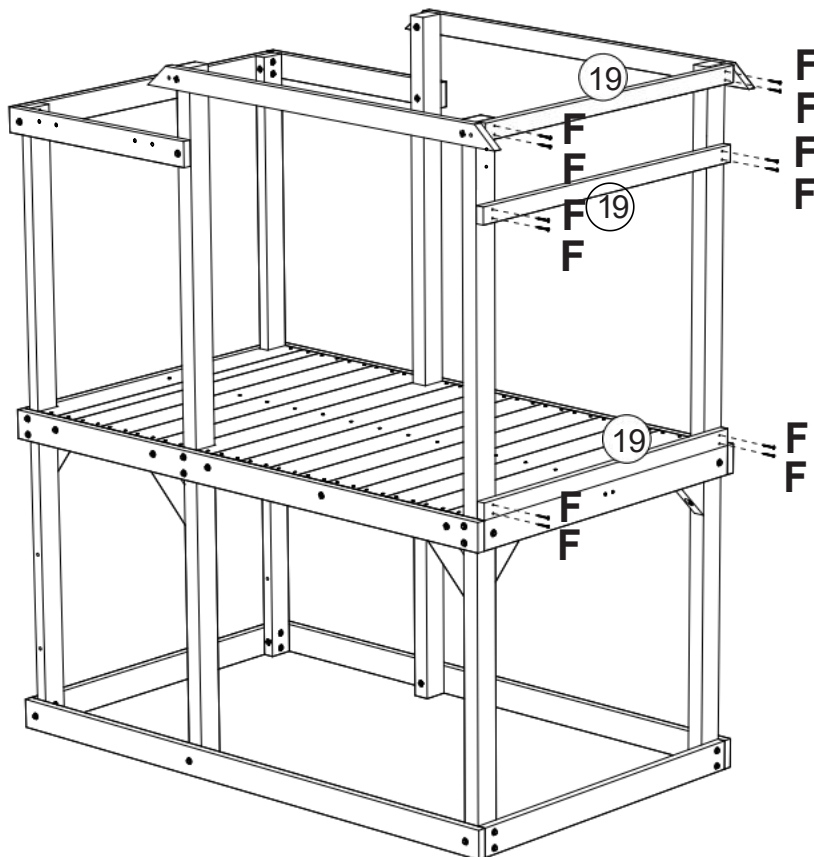
S x 4

T x 2



Step
Étape
Paso

20

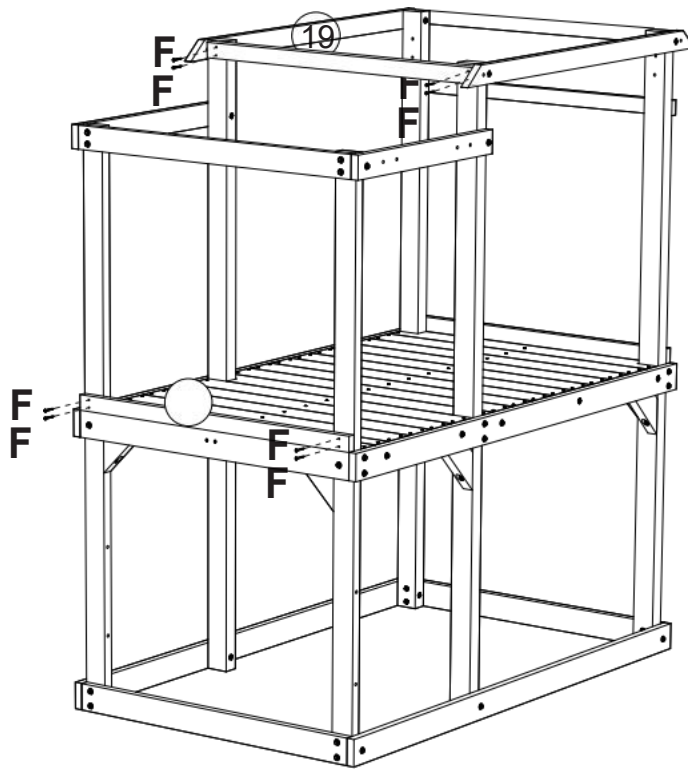


19 x 3

F x 12

Step
Étape
Paso

21

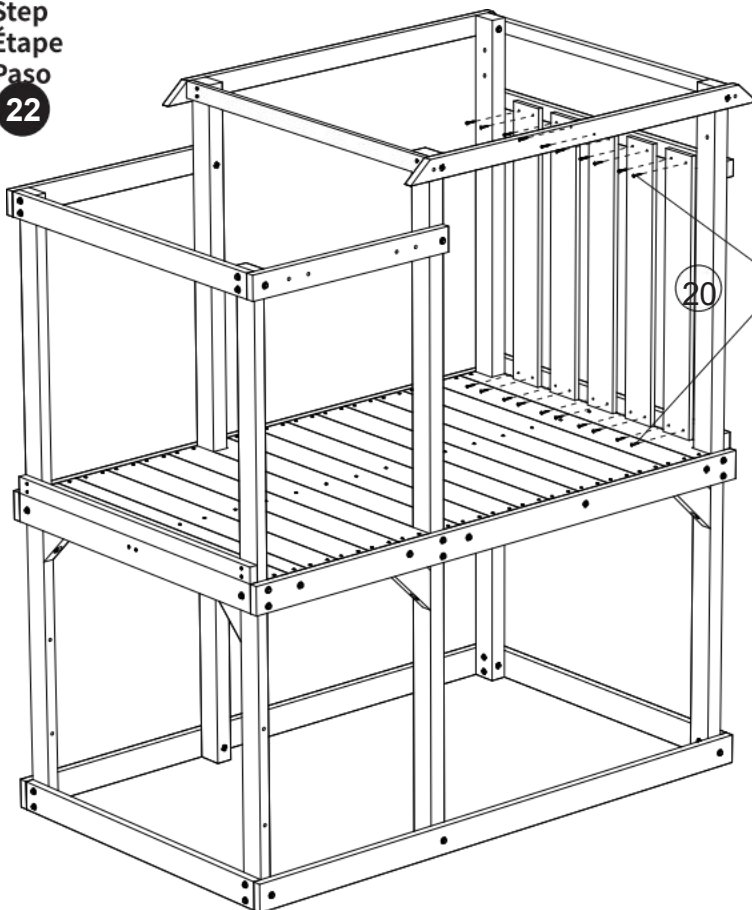


19 x 2

F x 8

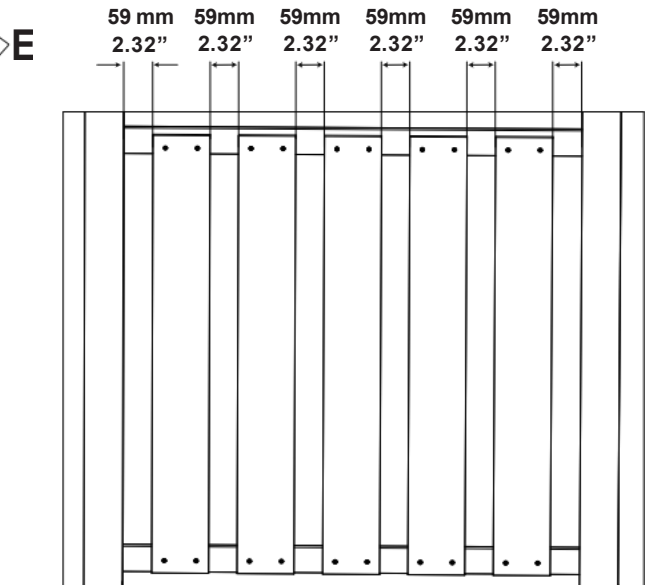
Step
Étape
Paso

22



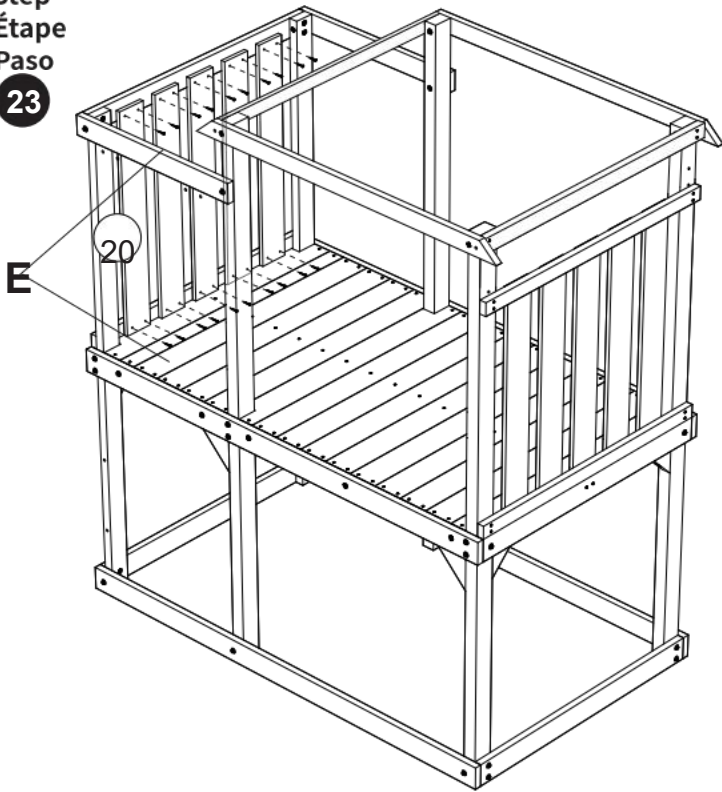
20 x 5

E x 20



Step
Étape
Paso

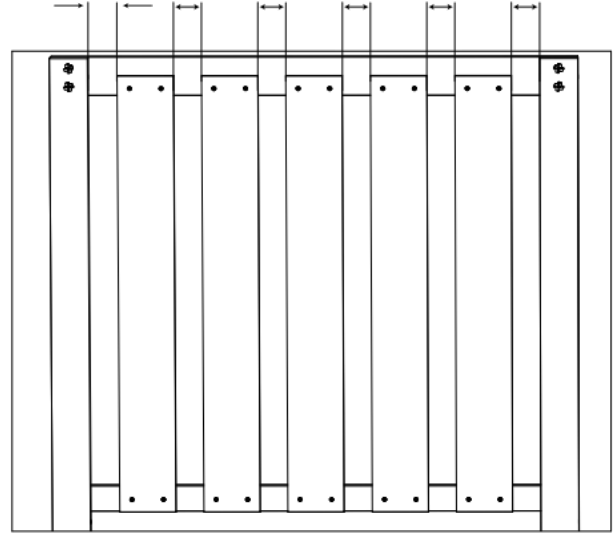
23



20 x 5

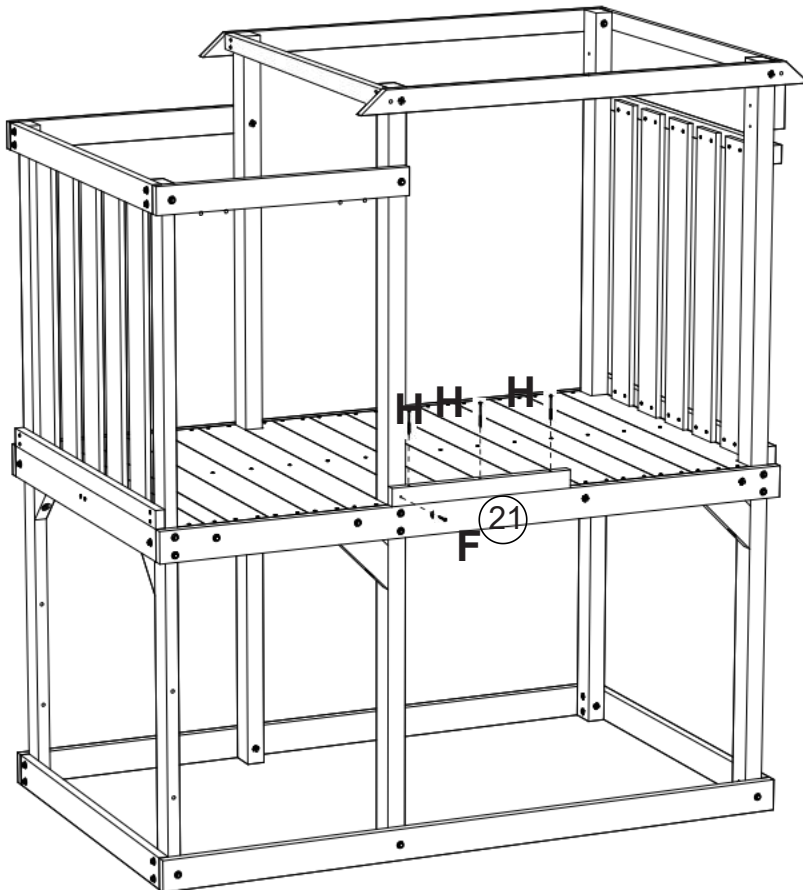
E x 20

59 mm 59 mm 59 mm 59 mm 59 mm 59 mm
2,32 Zoll 2,32 Zoll 2,32 Zoll 2,32 Zoll 2,32 Zoll 2,32 Zoll



Step
Étape
Paso

24



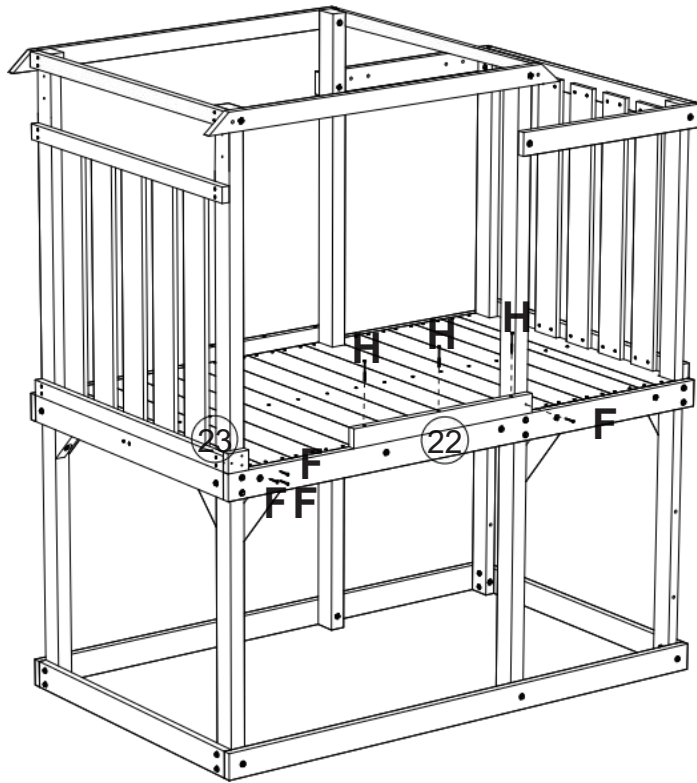
21 x 1

F x 1

H x 3

Step
Étape
Paso

25



22 x 1

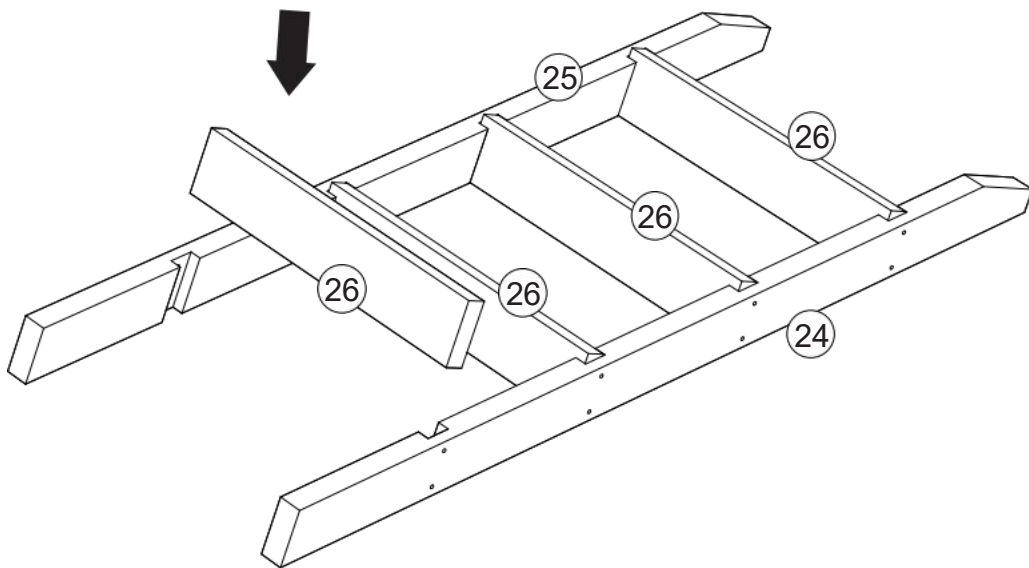
23 x 1

F x 4

H x 3

Step
Étape
Paso

26



24 x 1

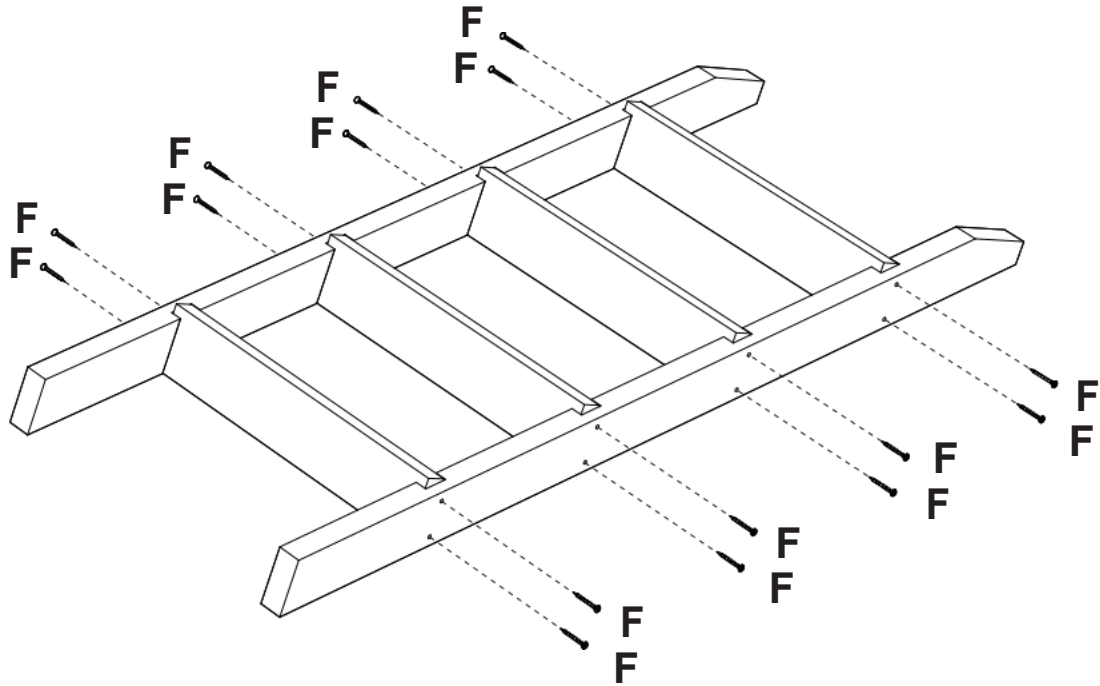
25 x 1

26 x 4

(F) x 16

Step
Étape
aso

27

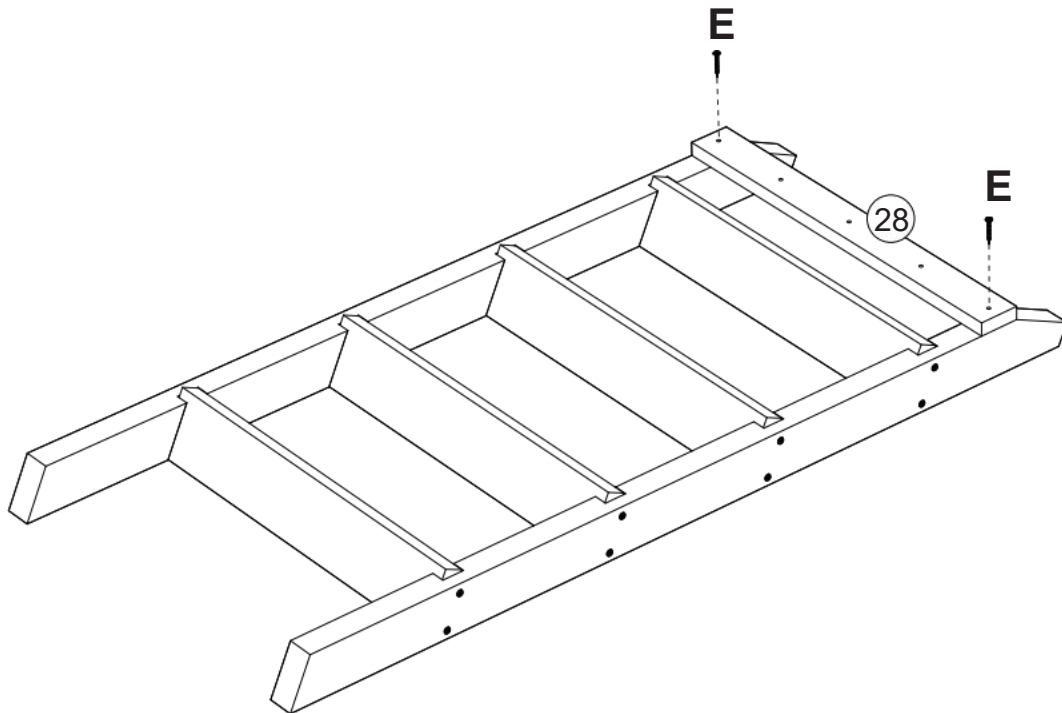


Step
Étape
aso

28

(28) x 1

(E) x 2

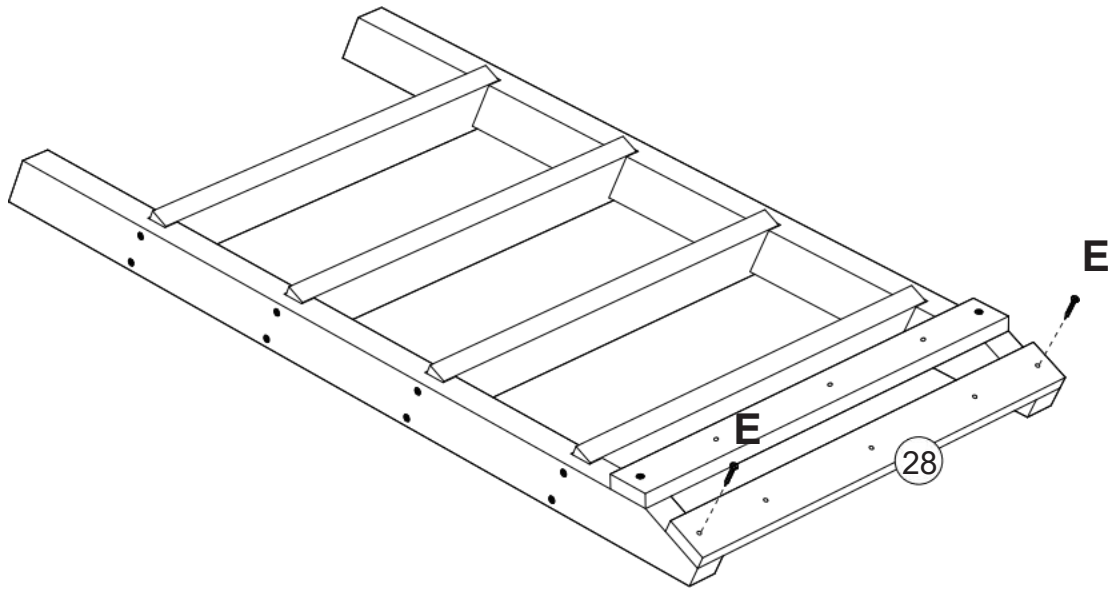


Step
Étape
Paso

29

28 x 1

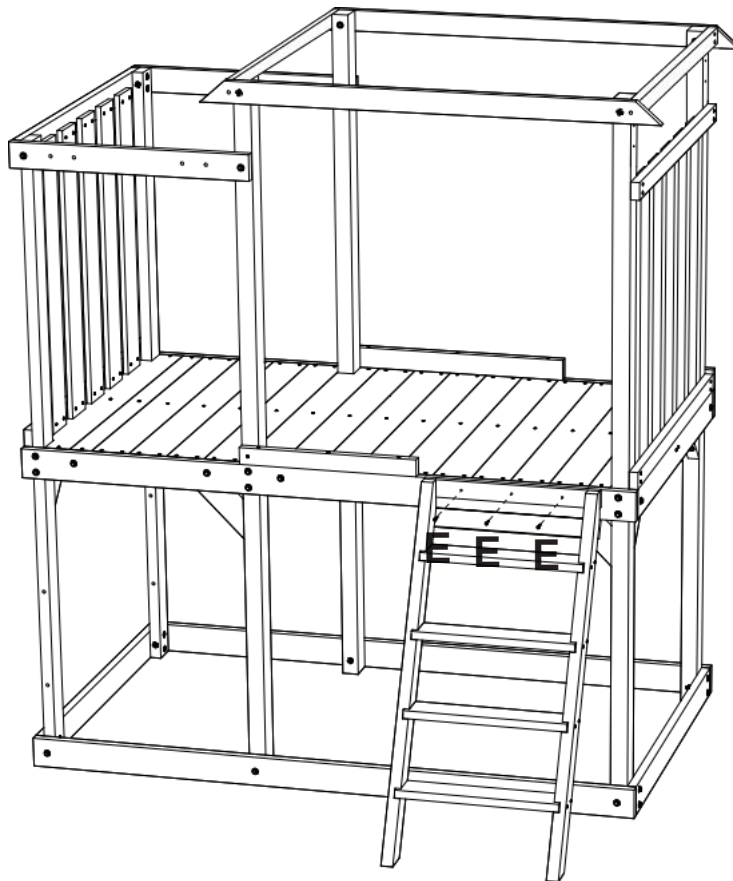
E x 2



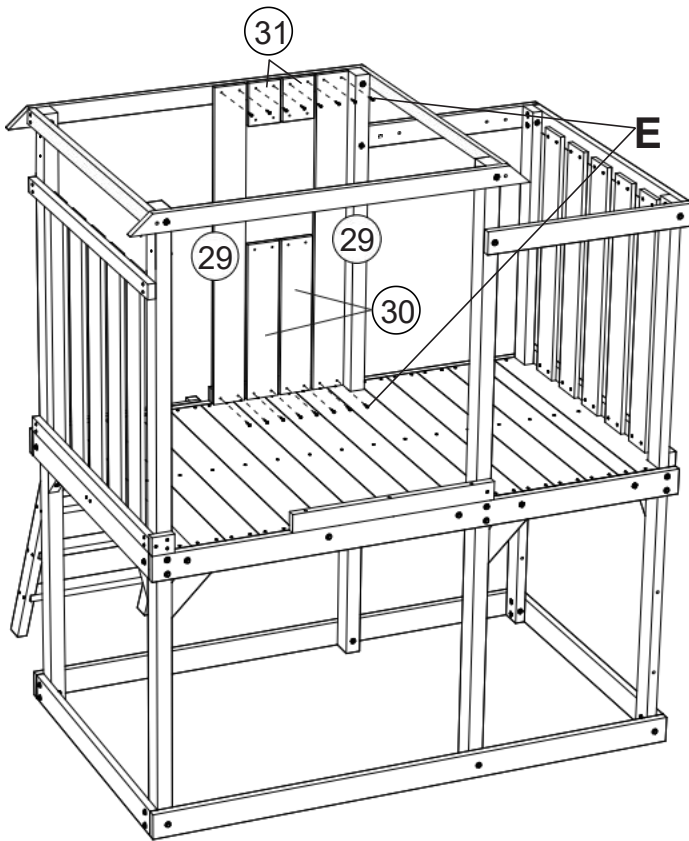
Step
Étape
Paso

30

E x 3



Step
Étape
Paso
31



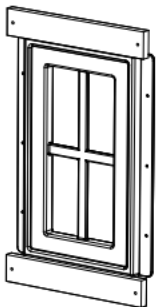
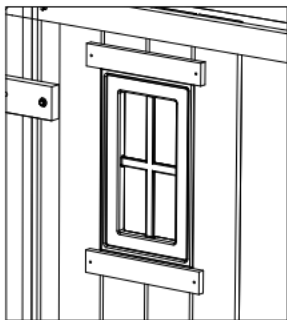
Ⓣ29 x 2

Ⓣ30 x 2

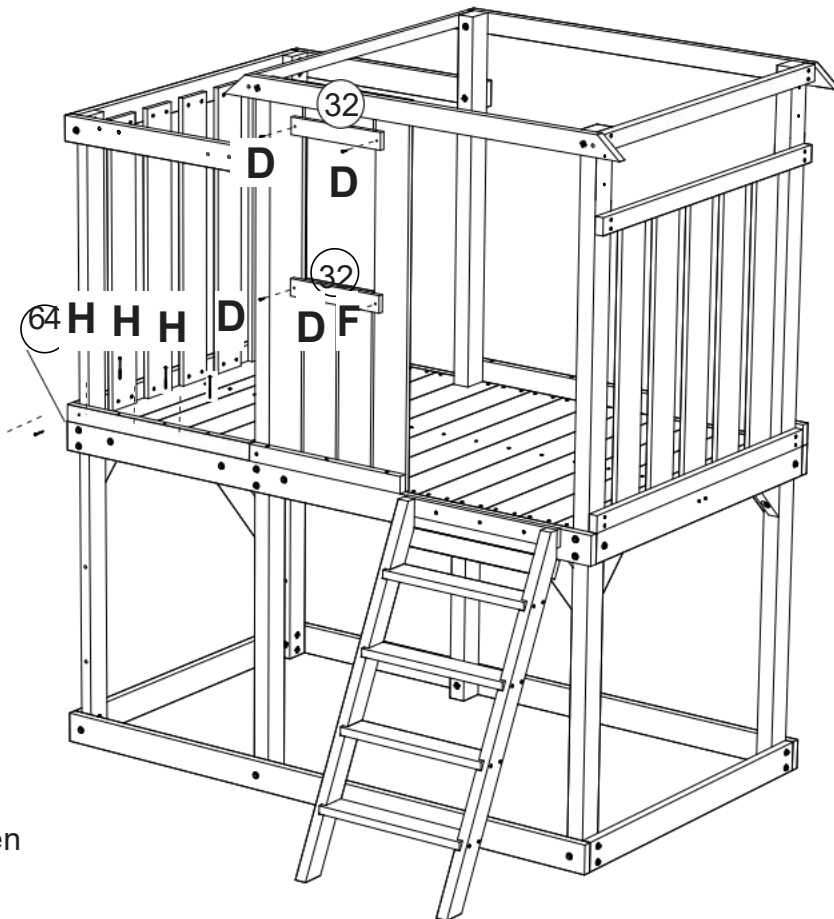
Ⓣ31 x 2

ⓉE x 16

Step
Étape
Paso
32



Am Fenster ausrichten



Ⓣ32 x 2

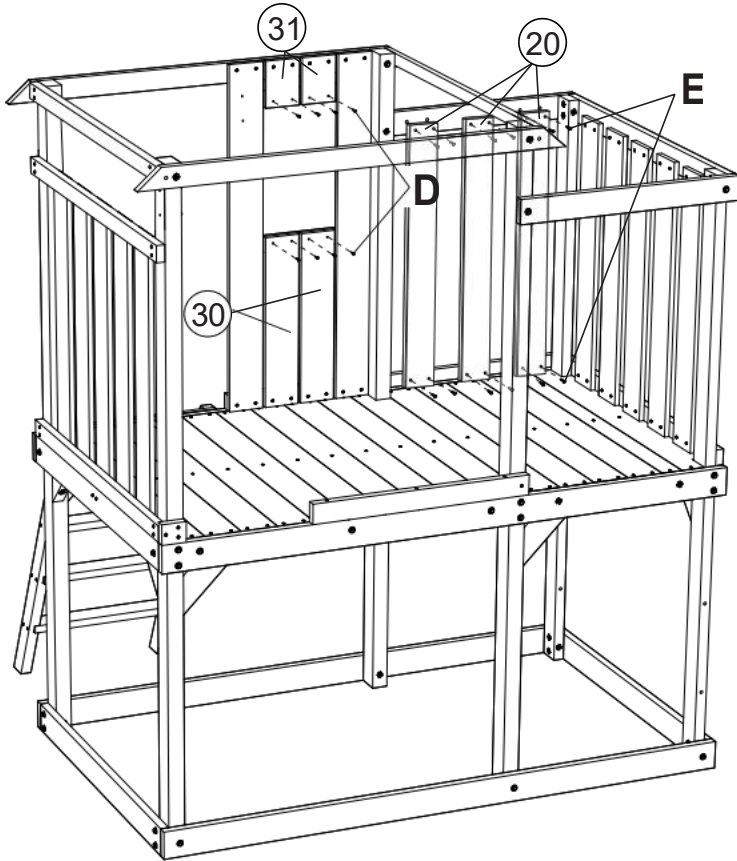
Ⓣ64 x 1

ⓉD x 4

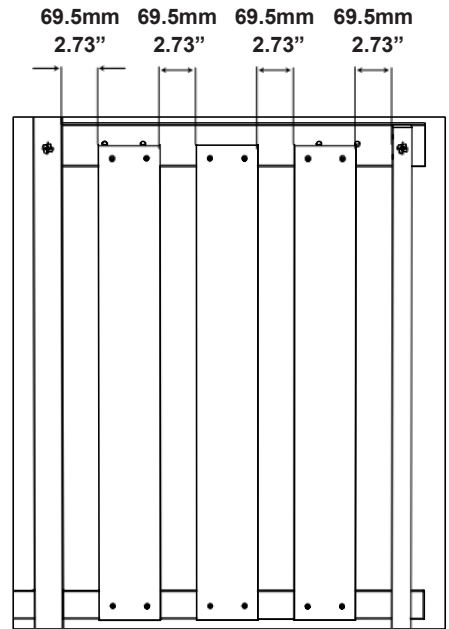
ⓉF x 1

ⓉH x 3

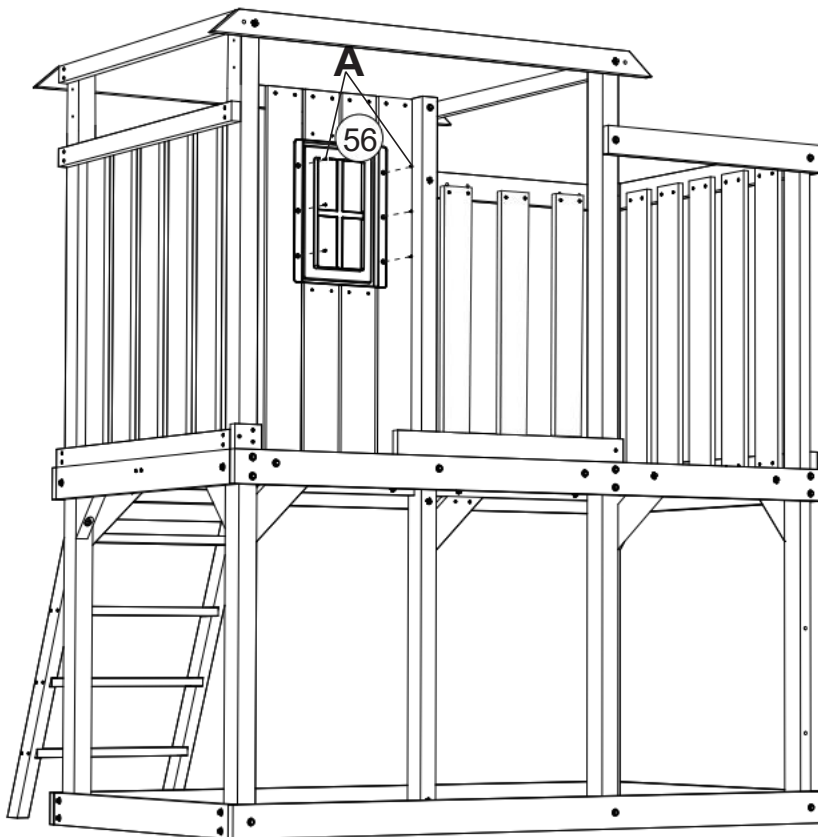
Step
Étape
Paso
33



- (20) x 3
- (D) x 8
- (E) x 12

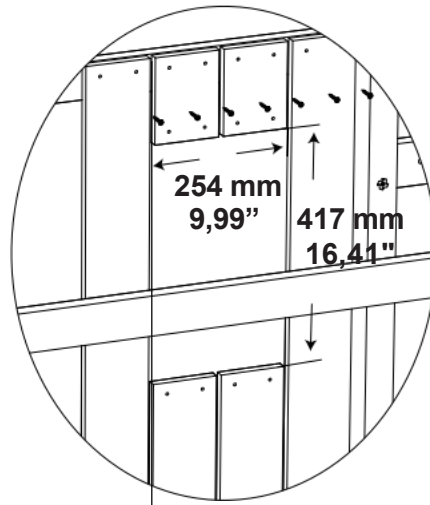
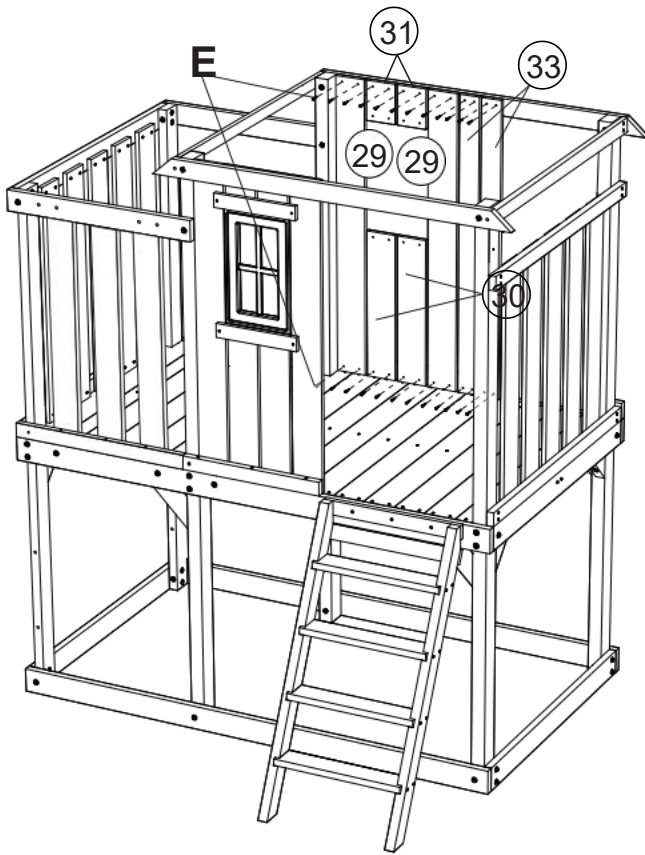


Step
Étape
Paso
34



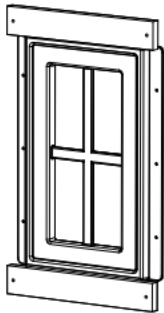
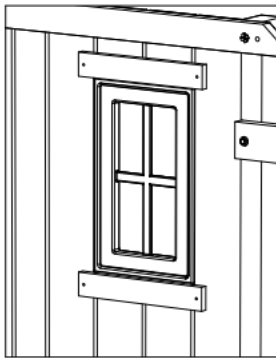
- (56) x 1
- (A) x

Step
Étape
Paso
35

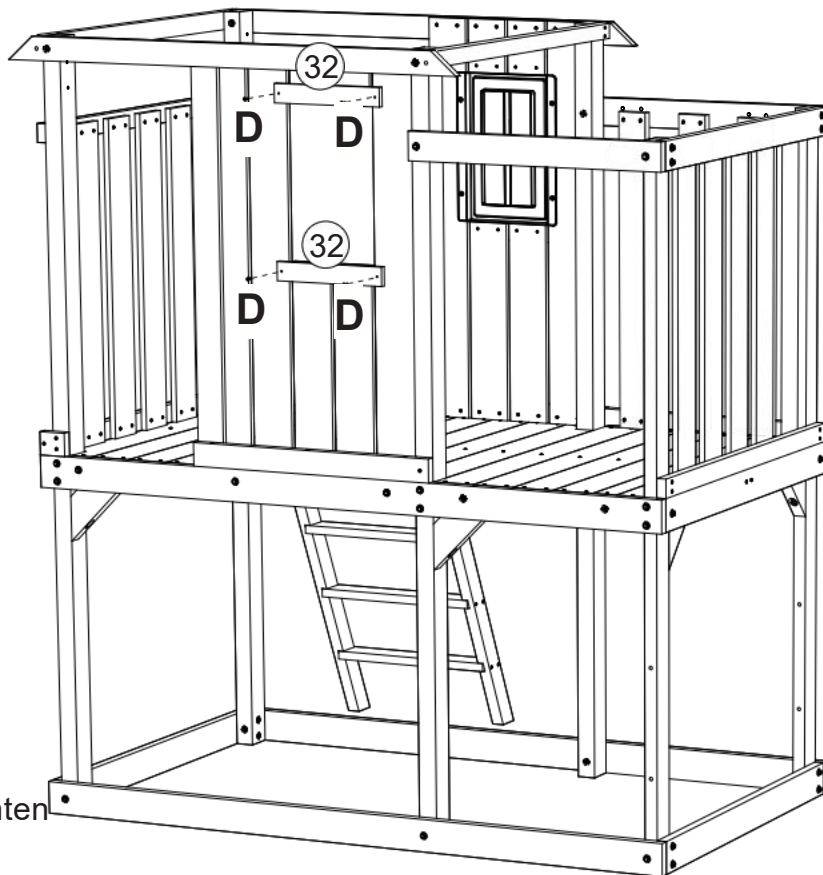


- Ⓣ 29 x 2
- Ⓣ 30 x 2
- Ⓣ 31 x 2
- Ⓣ 33 x 2
- Ⓣ E x 24

Step
Étape
Paso
36



Am Fenster ausrichten

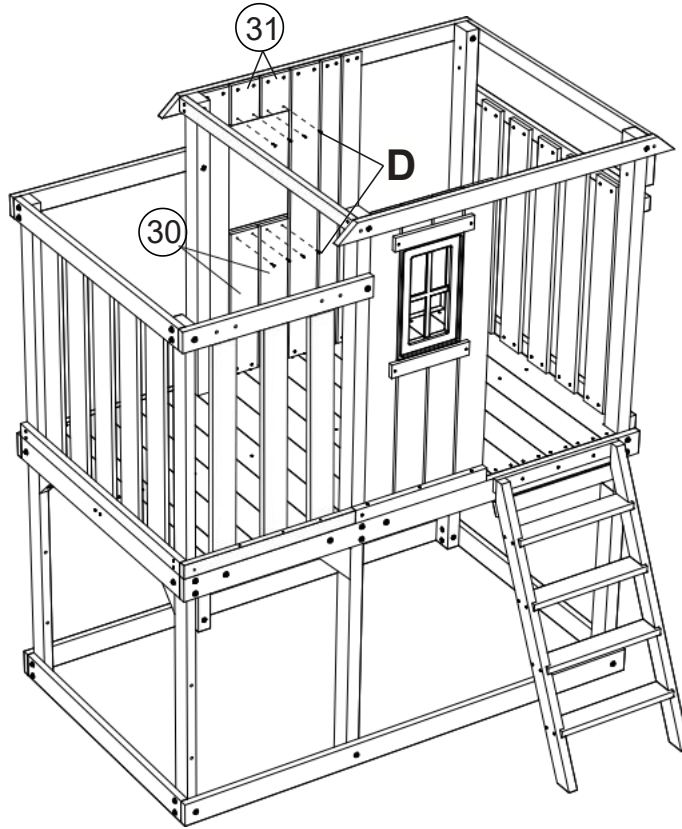


- Ⓣ 32 x 2
- Ⓣ D x 4

ⓓ x 8

Step
Étape
Paso

37



Ⓜ6 x 1

Ⓐ x 6

Step
Étape
Paso

38



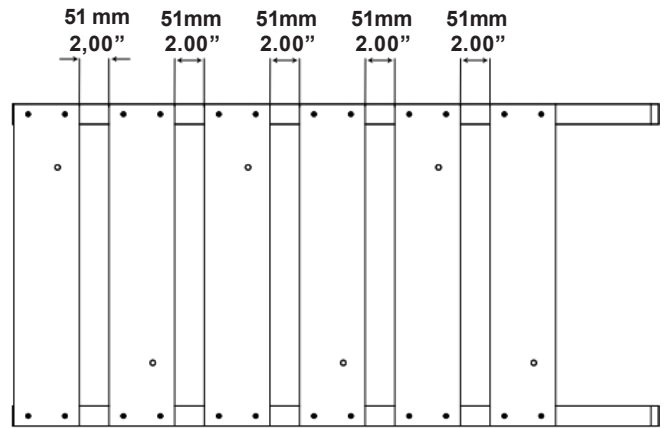
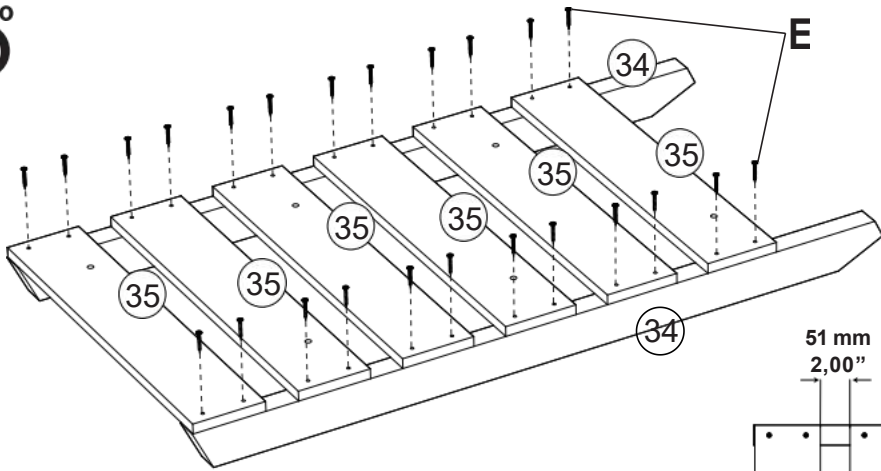
Step
Étape
Paso

39

34 x 2

35 x 6

E x 24

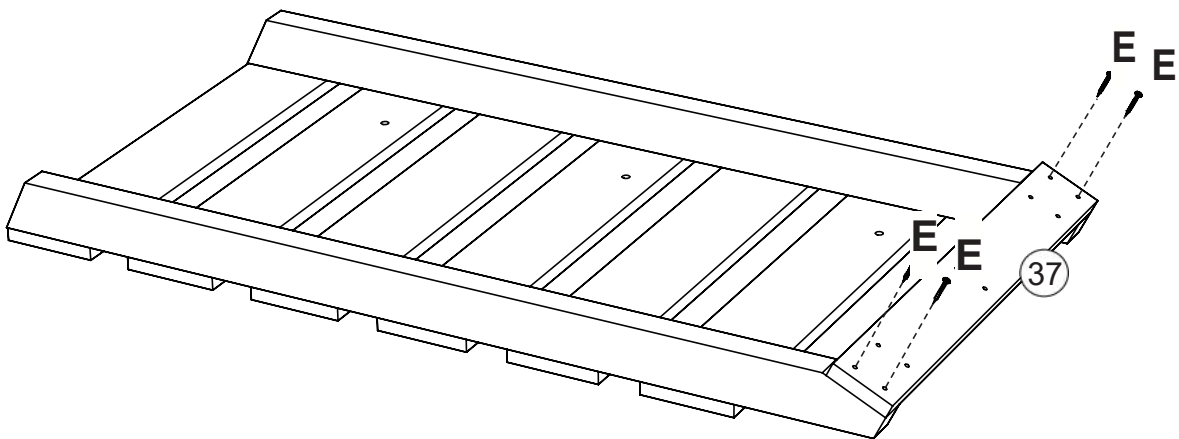


Step
Étape
Paso

40

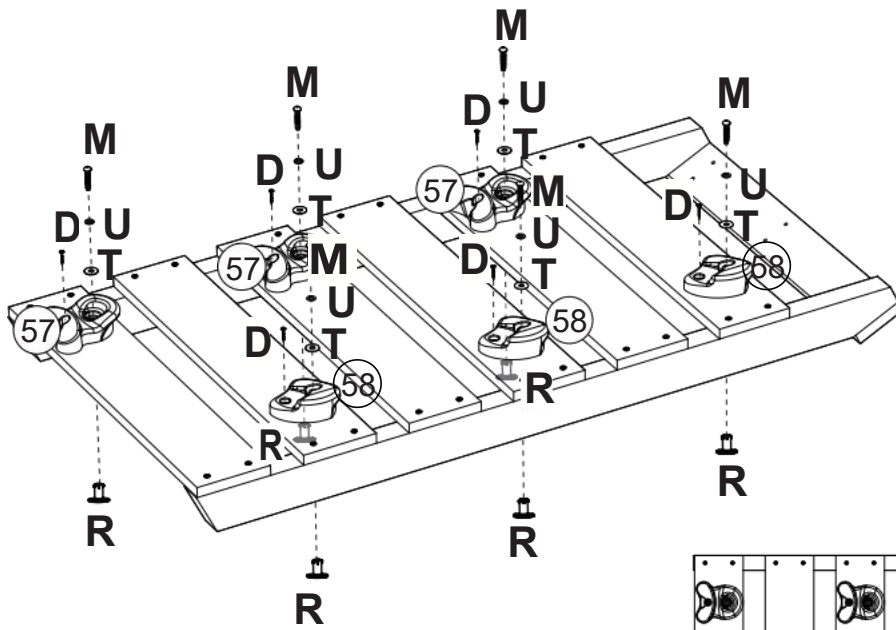
37 x 1

E x 4



Step
Étape
Paso

41



57 x 3

58 x 3

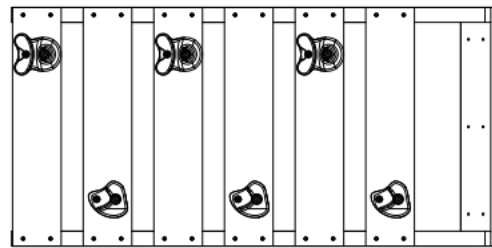
D x 6

M x 6

R x 6

T x 6

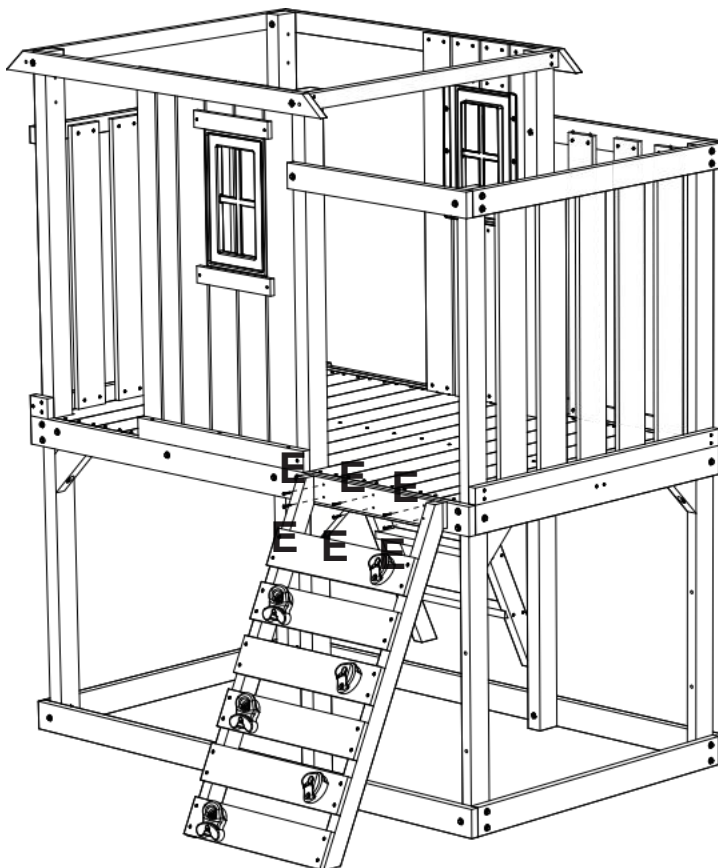
U x 6



E x 6

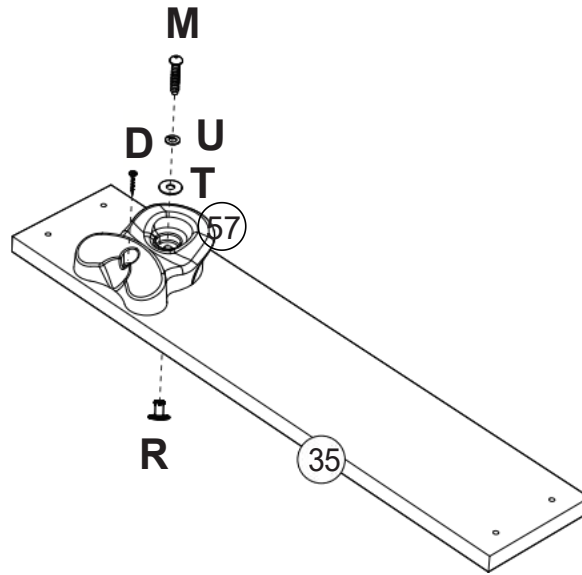
Step
Étape
Paso

42



Step
Étape
Paso

43



35 x 1

57 x 1

D x 1

M x 1

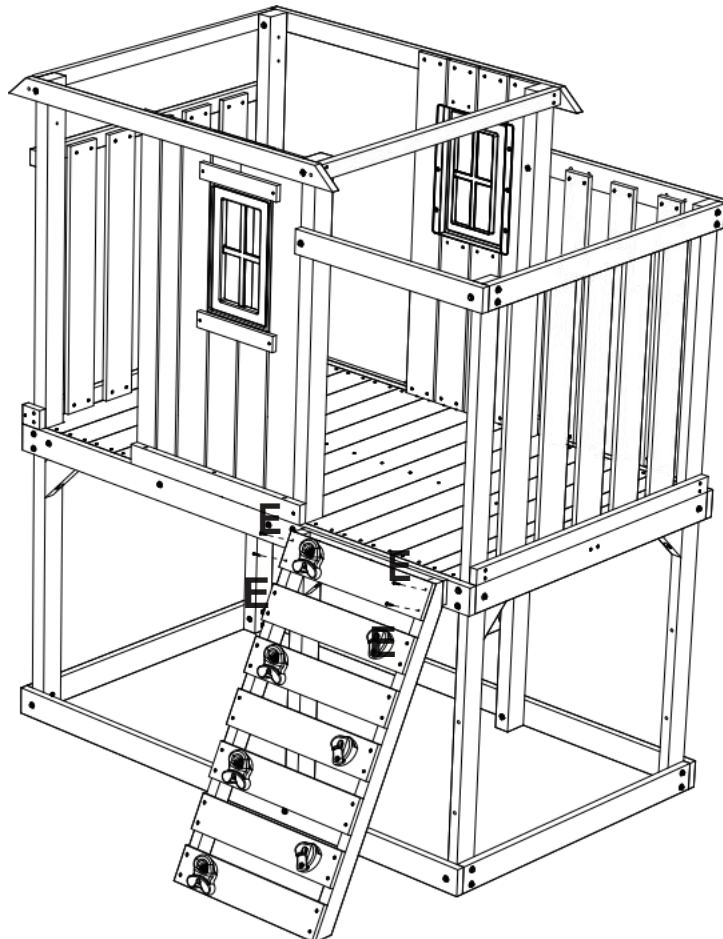
R x 1

T x 1

U x 1

Step
Étape
Paso

44



E x 4

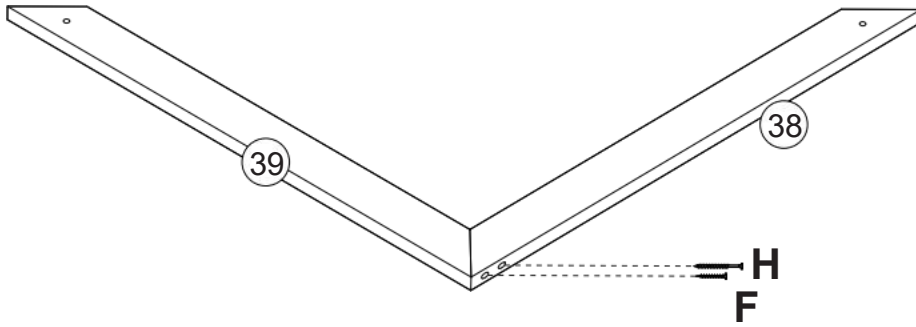
Step
Étape
Paso
45 x 2

38 x 1

39 x 1

F x 1

H x 1

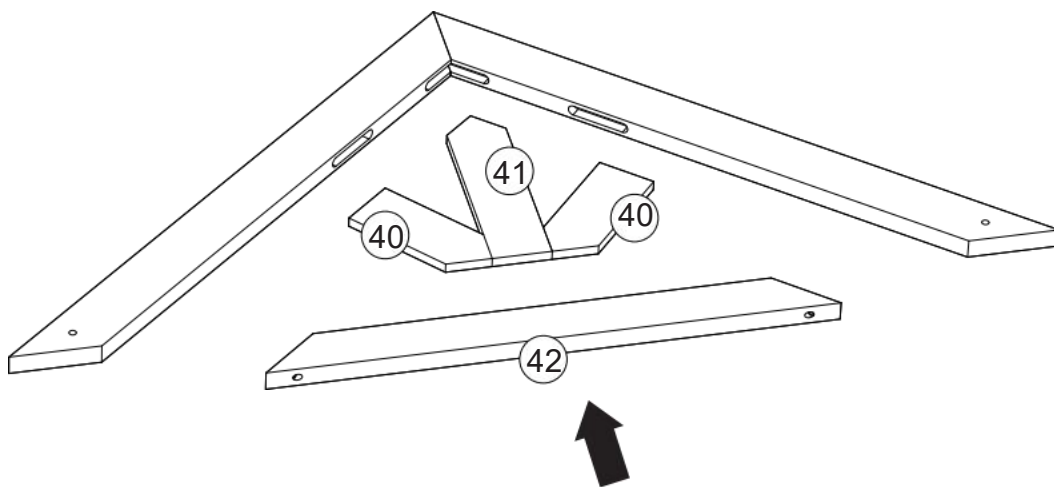


Step
Étape
Paso
46 x 2

40 x 2

41 x 1

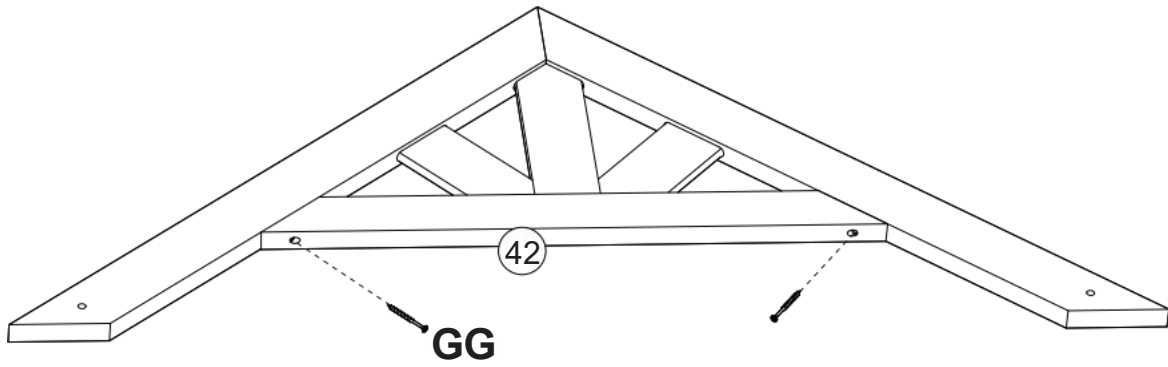
42 x 1



Step
Étape
Paso
47 x 2

42 x 1

G x 2

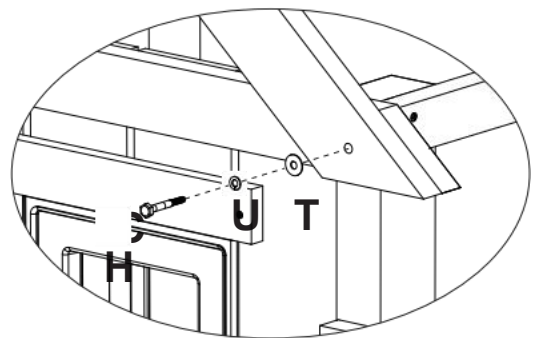
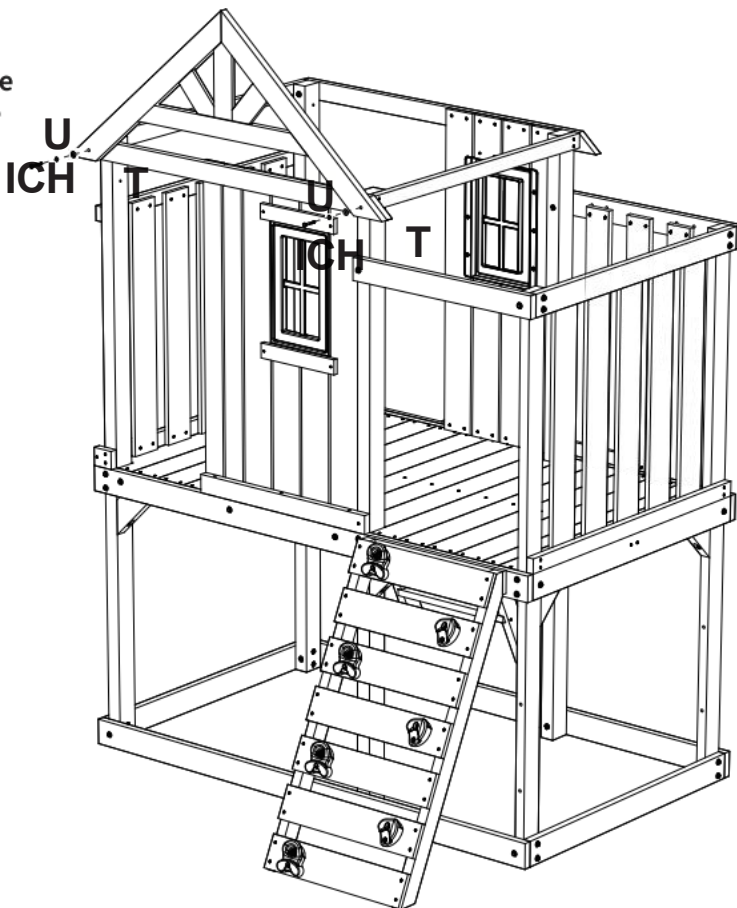


Step
Étape
Paso
48

ICH x 2

T x 2

U x 2



Step
Étape
Paso

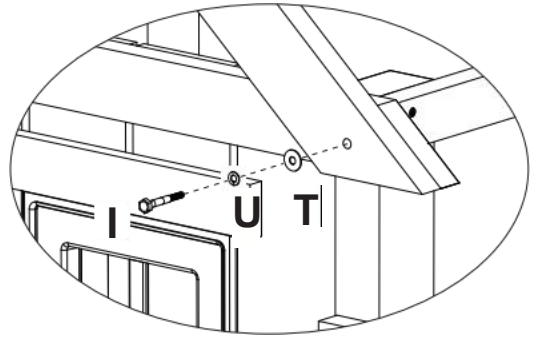
49



ICH x 2

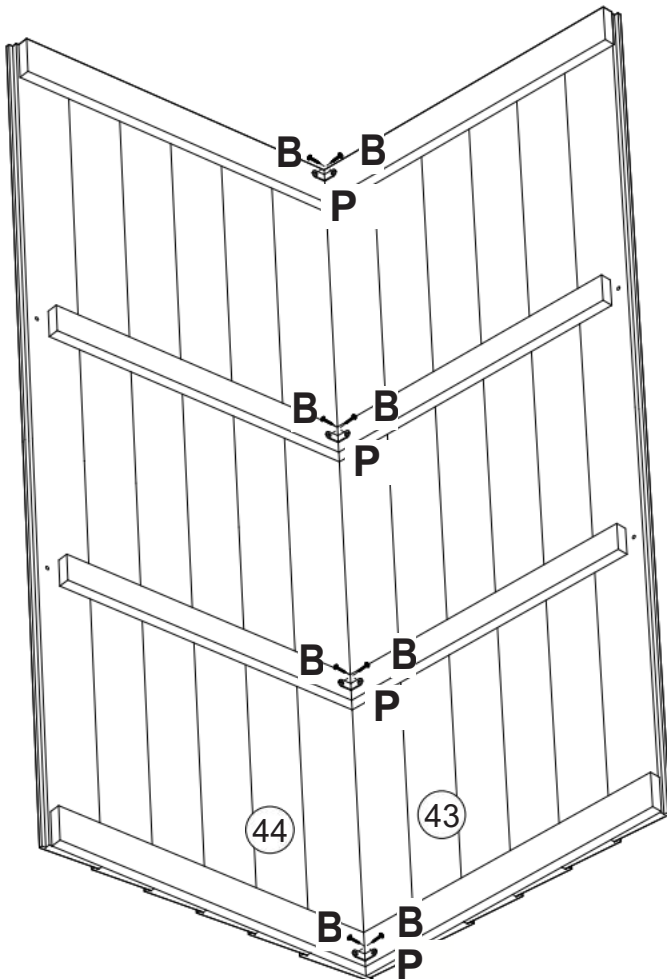
T x 2

U x 2



Step
Étape
Paso

50

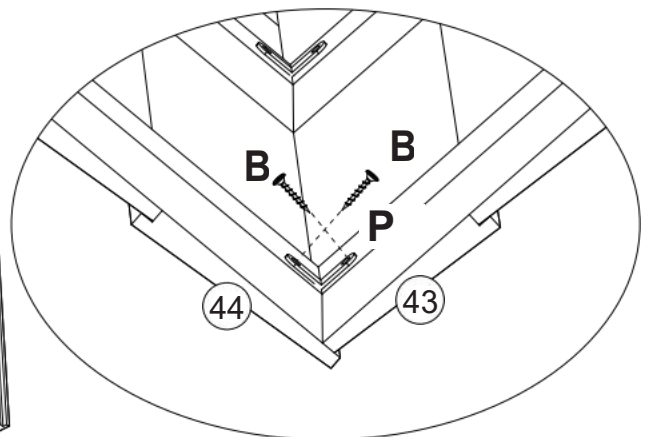


43 x 1

44 x 1

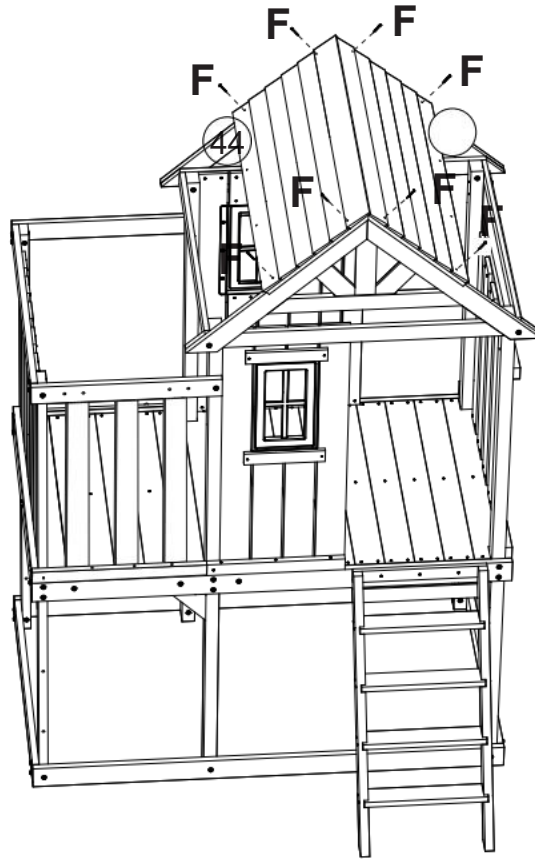
B x 8

P x 4



Step
Étape
Paso

51



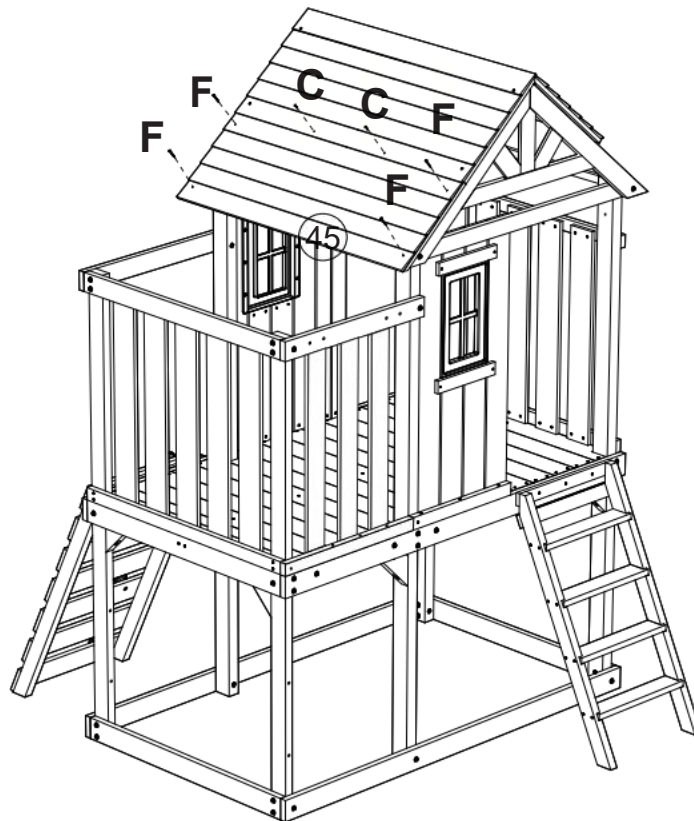
43 x 1

44 x 1

F x 8

Step
Étape
Paso

52



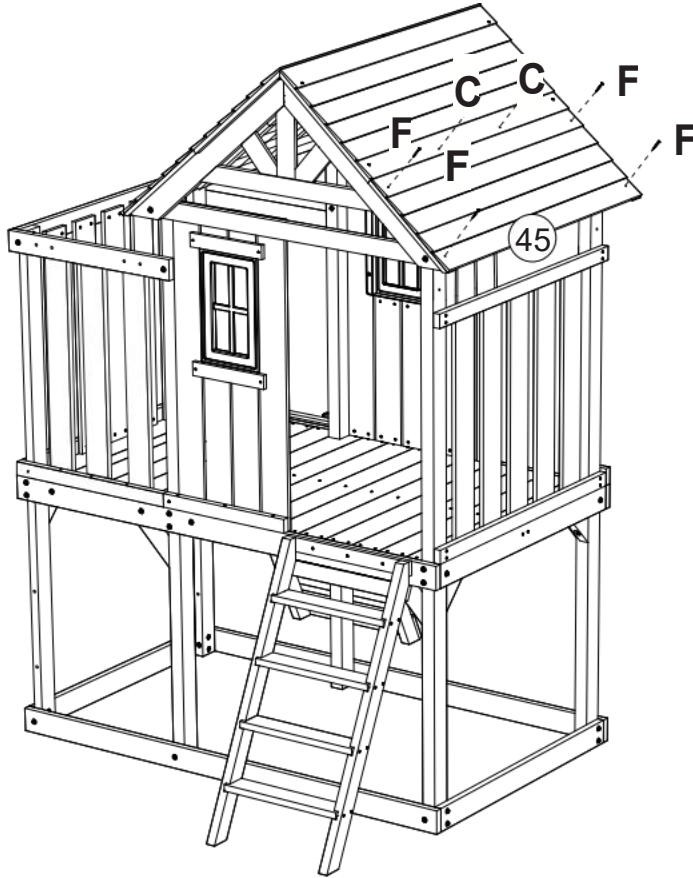
45 x 1

C x 2

F x 4

Step
Étape
Paso

53



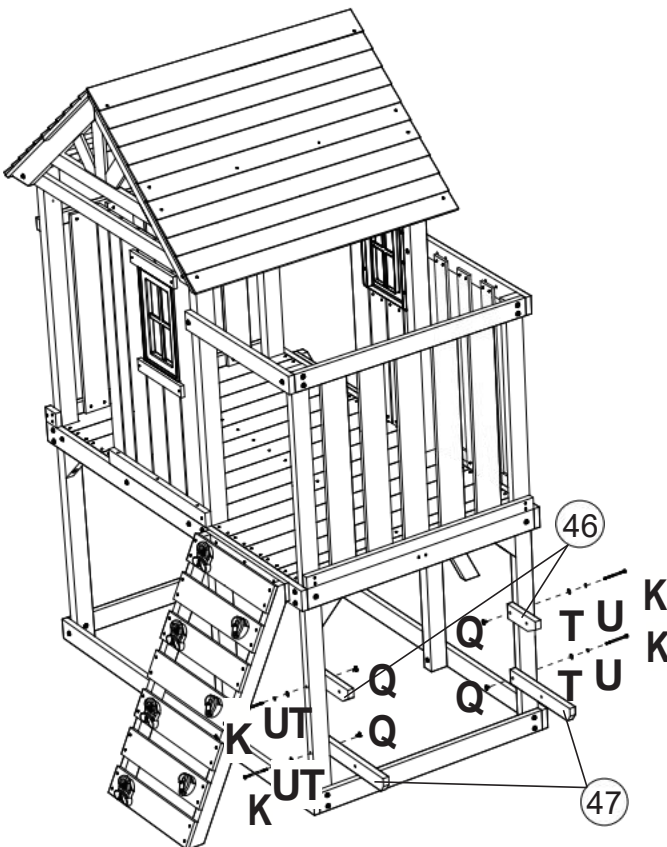
45 x 1

C x 2

F x 4

Step
Étape
Paso

54



46 x 2

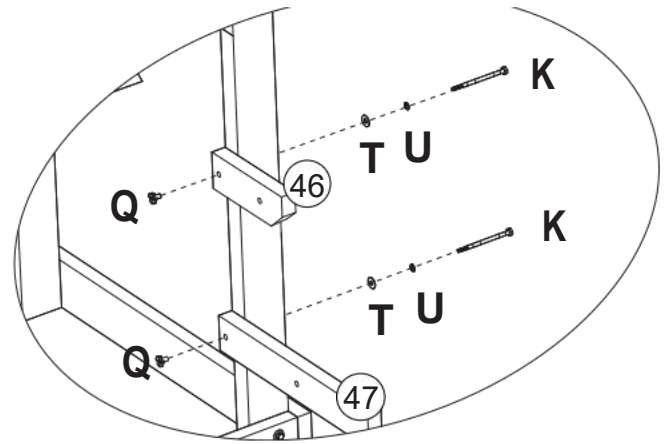
47 x 2

K x 4

Q x 4

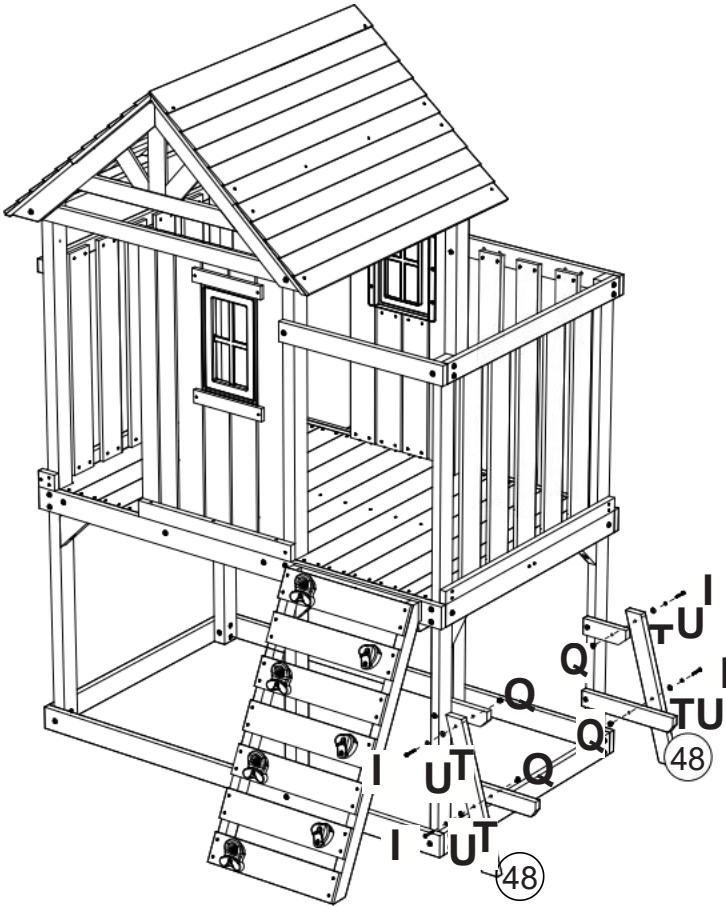
T x 4

U x 4



Step
Étape
Paso

55



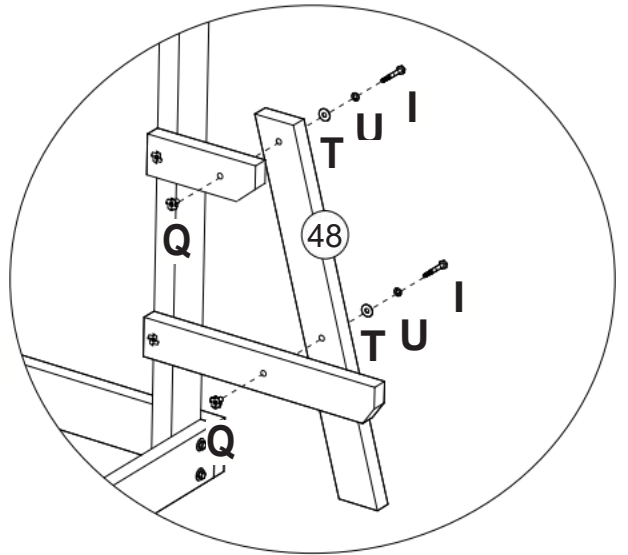
48 x 2

I, CH x 4

Q x 4

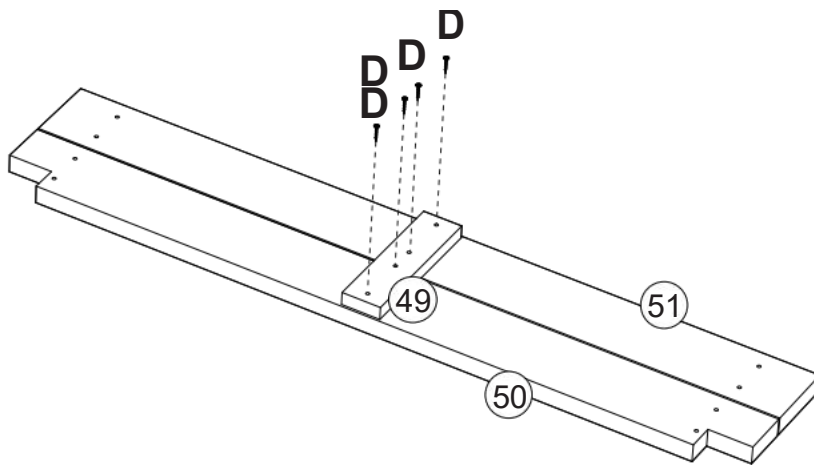
T x 4

U x 4



Step
Étape
Paso

56



49 x 1

50 x 1

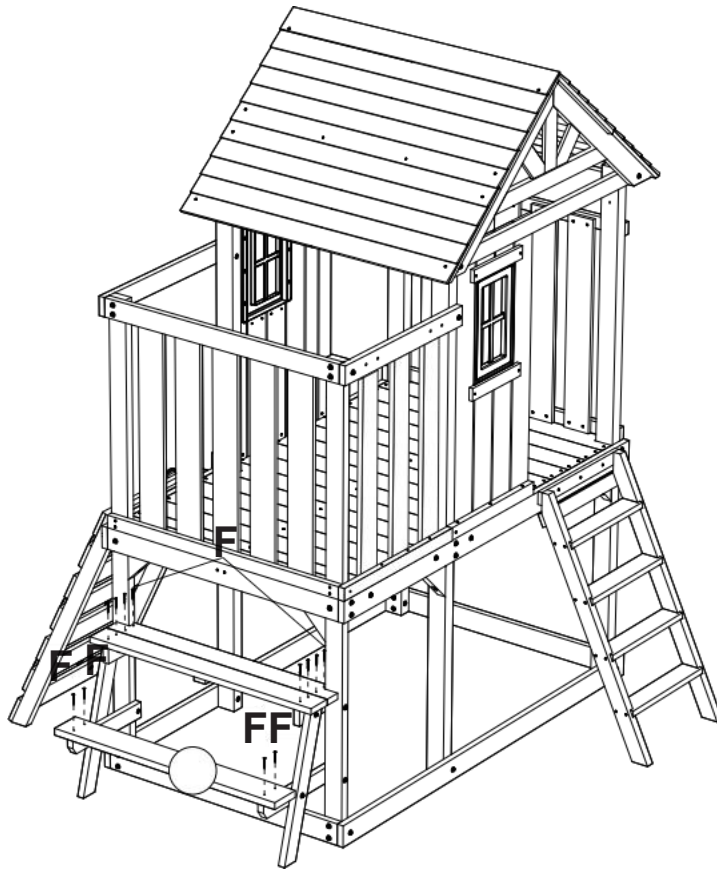
51 x 1

D x 4



Step
Étape
Paso

57

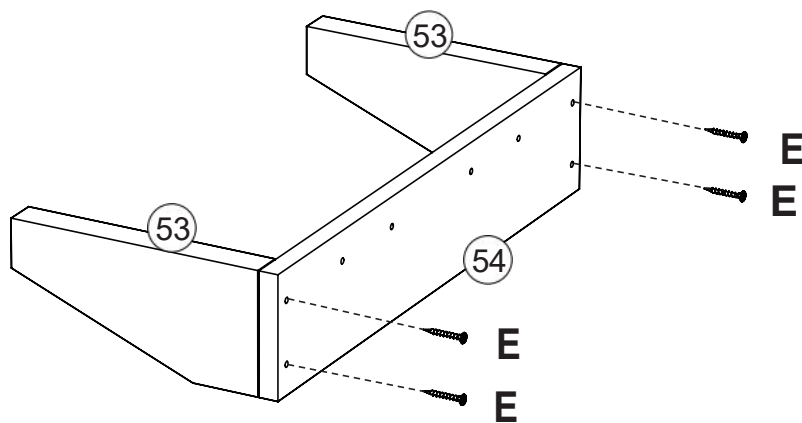


52 x 1

F x 12

Step
Étape
Paso

58



53 x 2

54 x 1

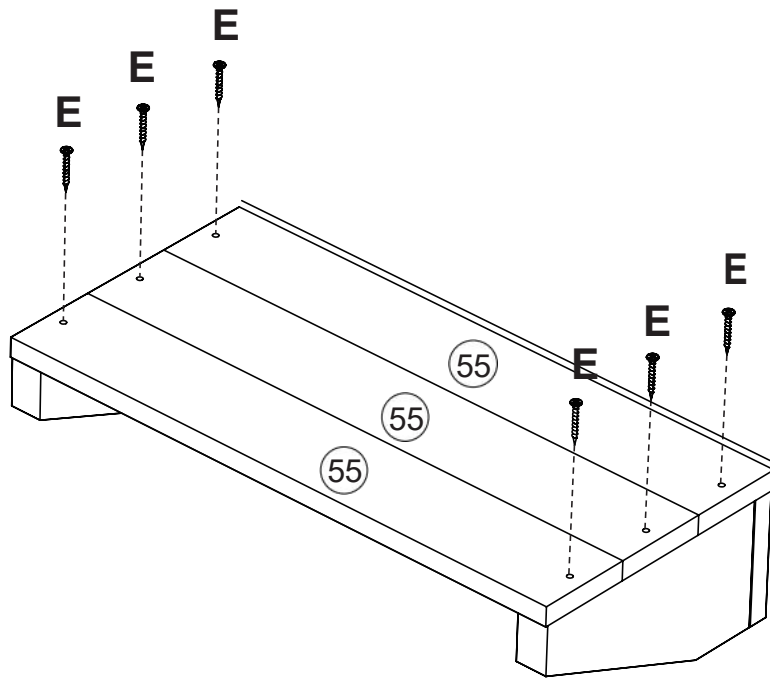
E x 4

Step
Étape
Paso

59

55 x 3

E x 6

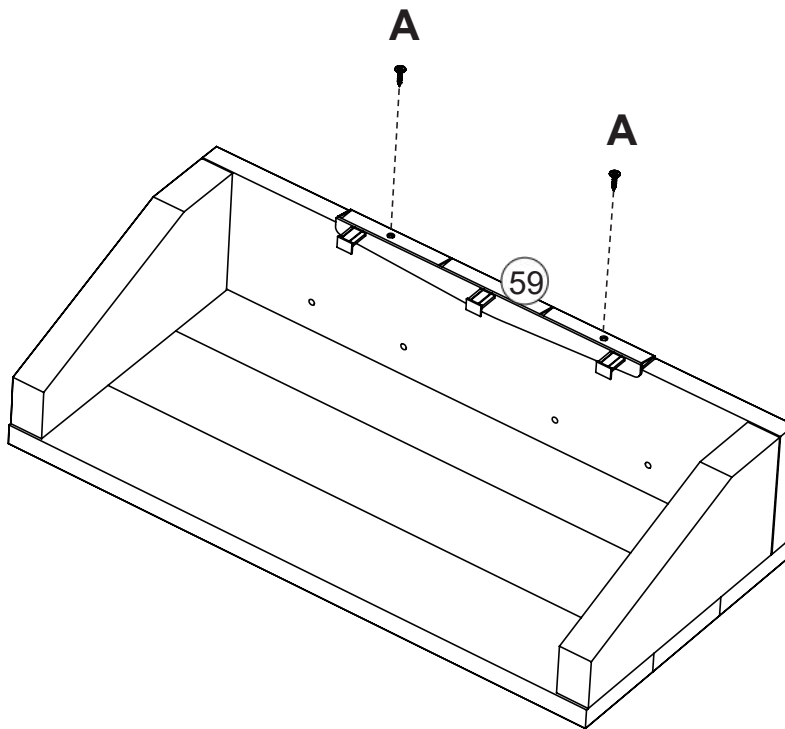


Step
Étape
Paso

60

59 x 1

A x 2



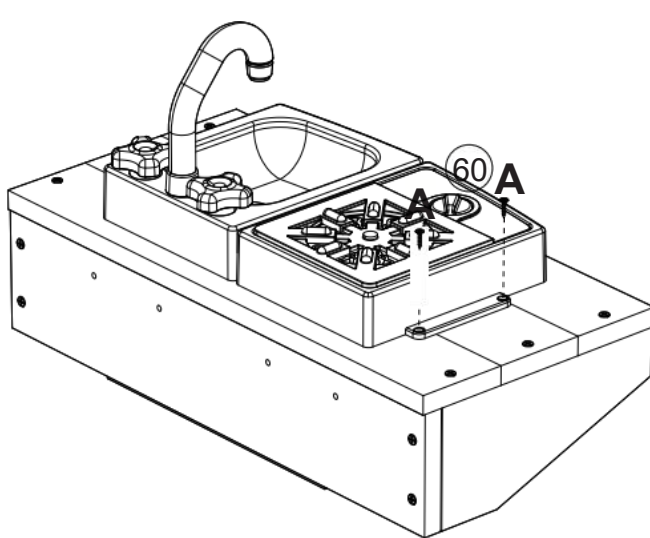
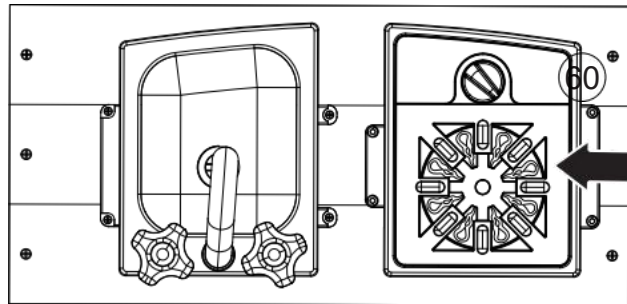
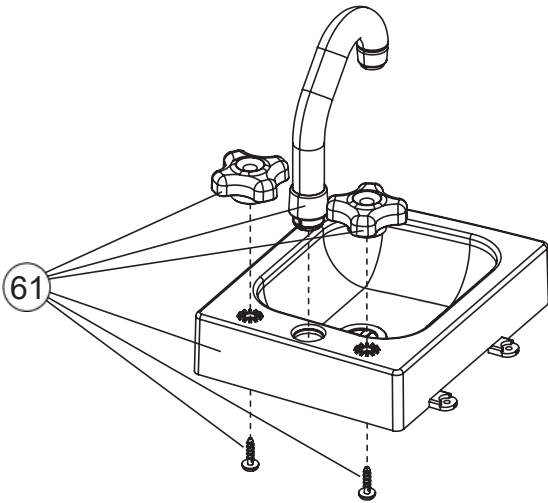
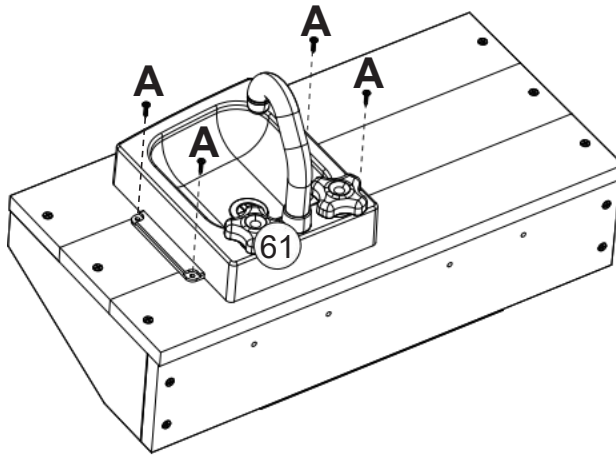
Step
Étape
Paso

61

60 x 1

61 x 1

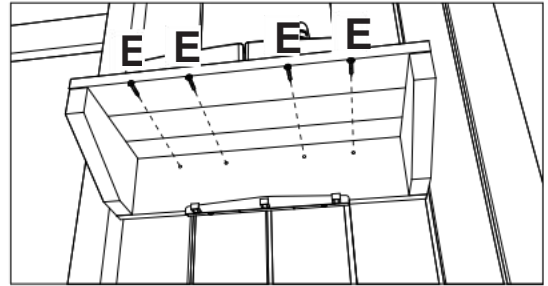
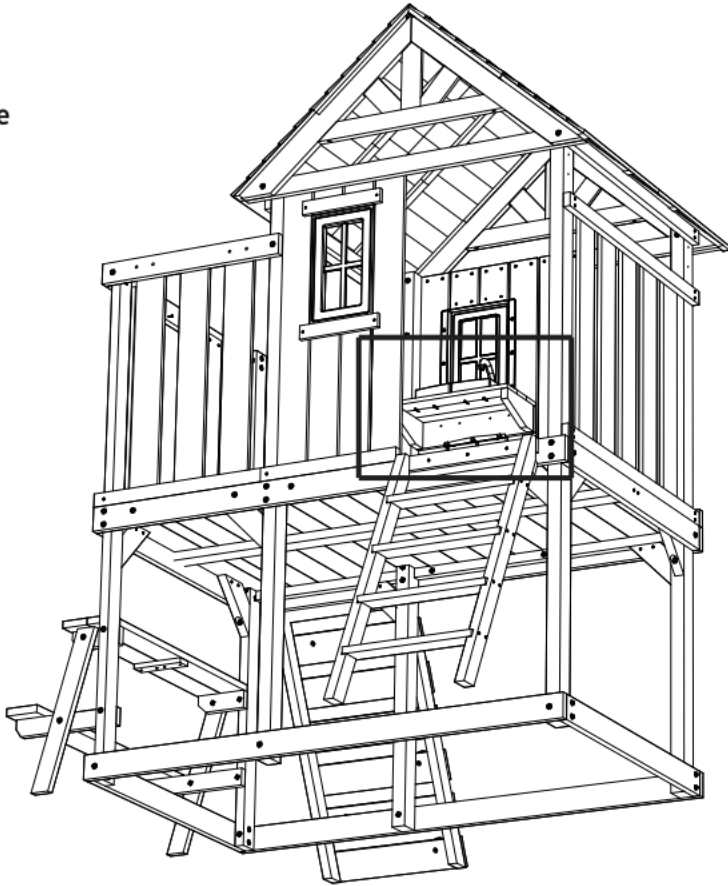
A x 6



Step
Étape
Paso

62

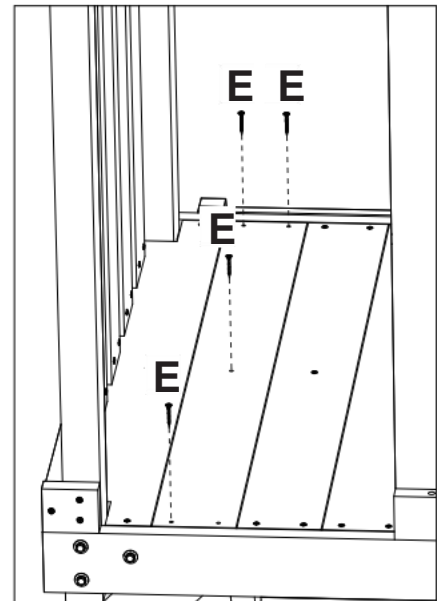
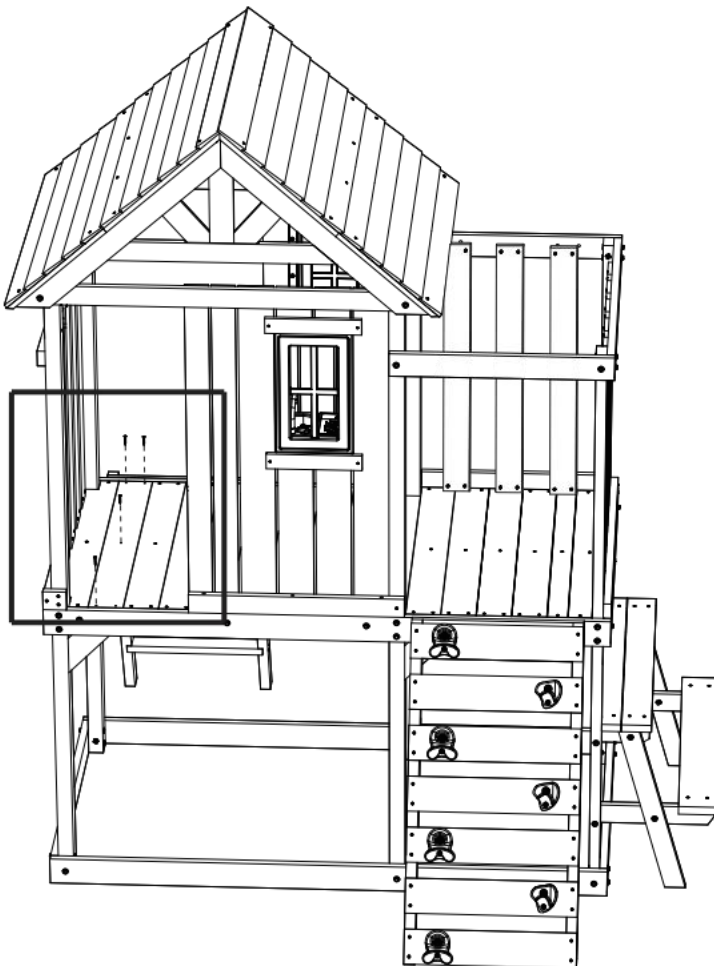
E x 4



Step
Étape
Paso

63

E x 4



Step
Étape
Paso

64



62 x 1

F x 2

S x 2

Step
Étape
Paso

65



13 x 1

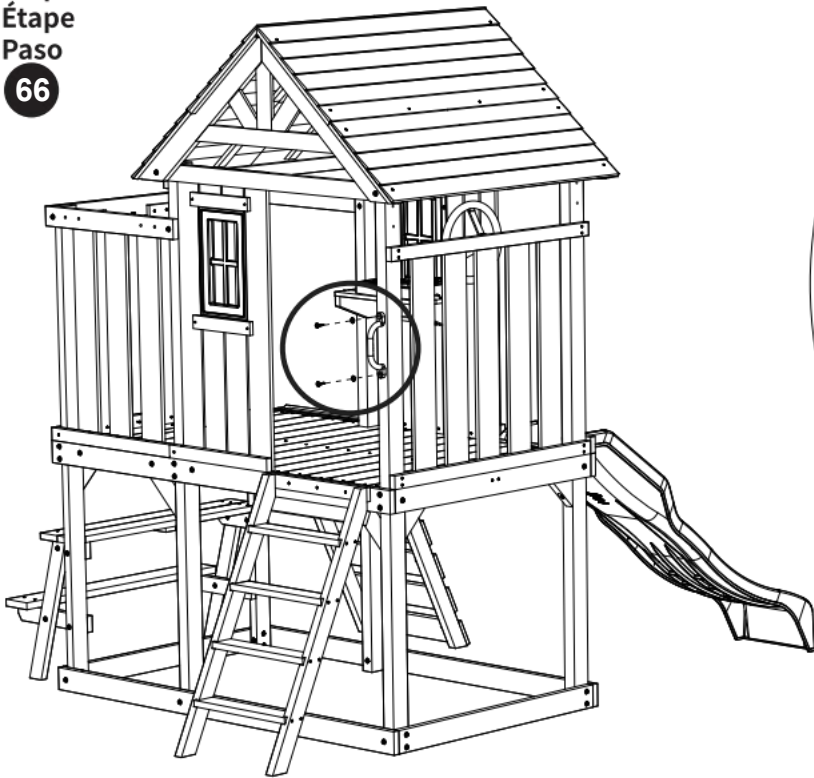
F x 1

S x 1

T x 1

Step
Étape
Paso

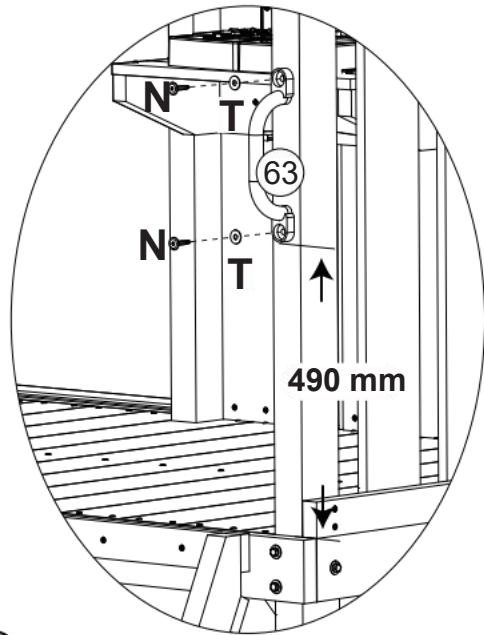
66



63 x 1

N x 2

T x 2



Step
Étape
Paso

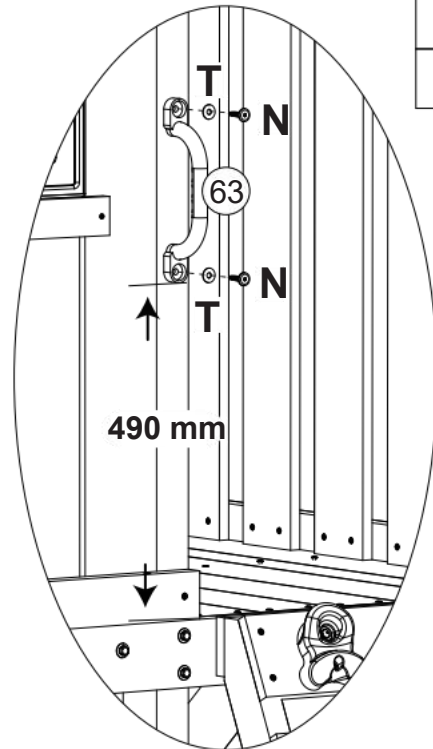
67



63 x 1

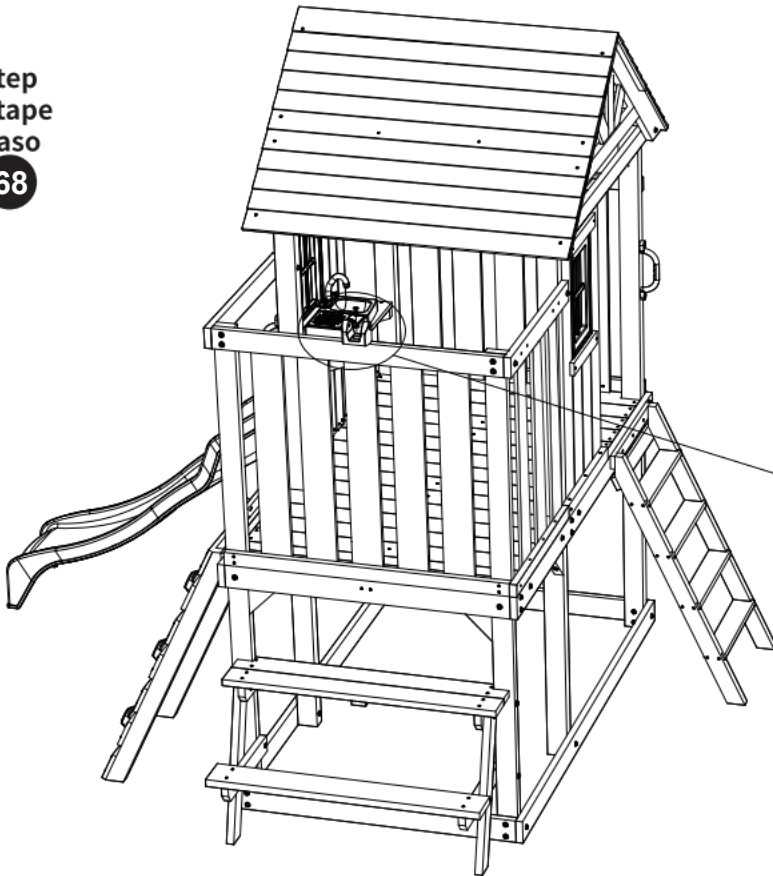
N x 2

T x 2



Step
Étape
Paso

68

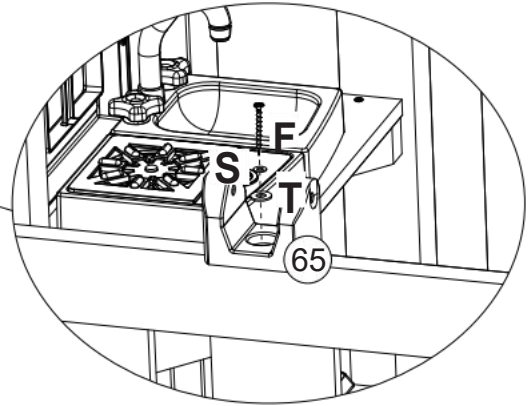


65 x 1

F x 1

S x 1

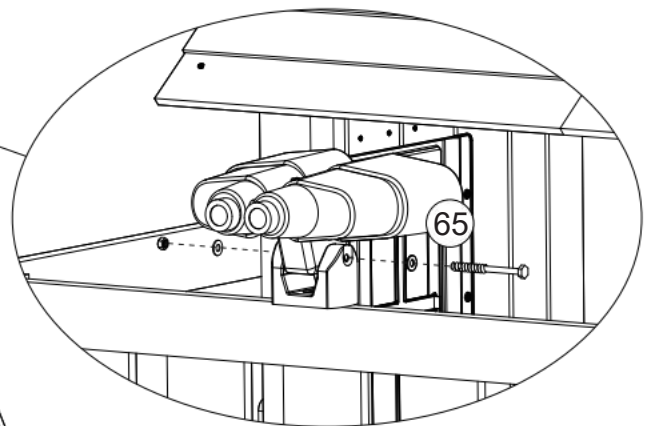
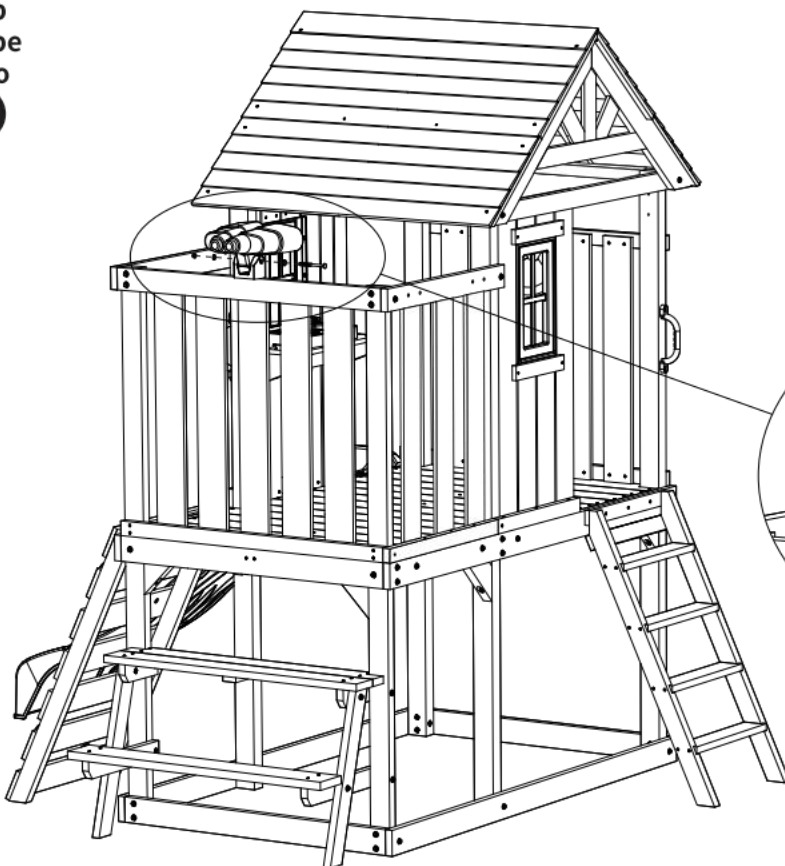
T x 1



65 x 1

Step
Étape
Paso

69

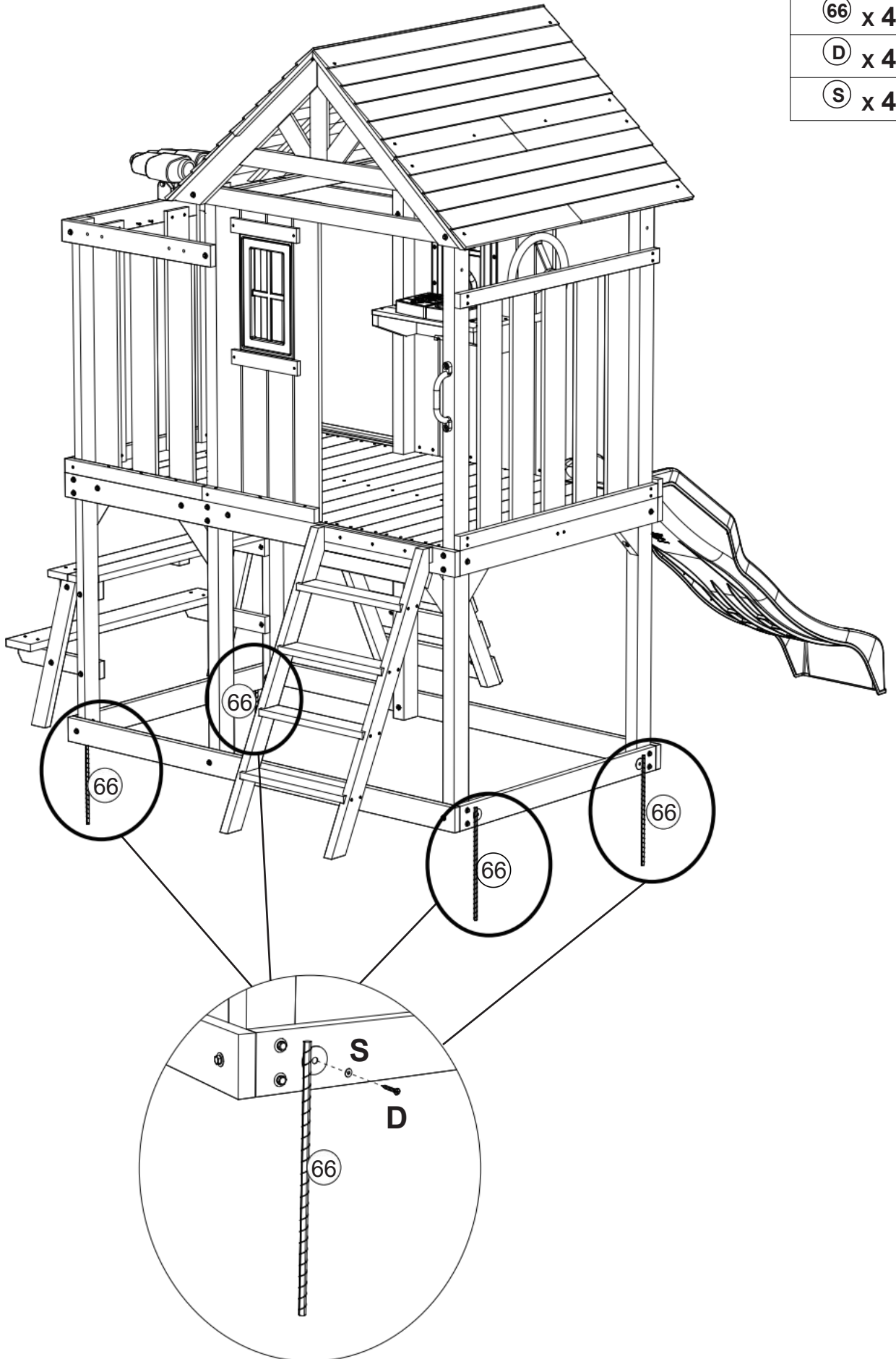


Step
Étape
Paso
70

Ⓢ x 4

ⓓ x 4

Ⓢ x 4



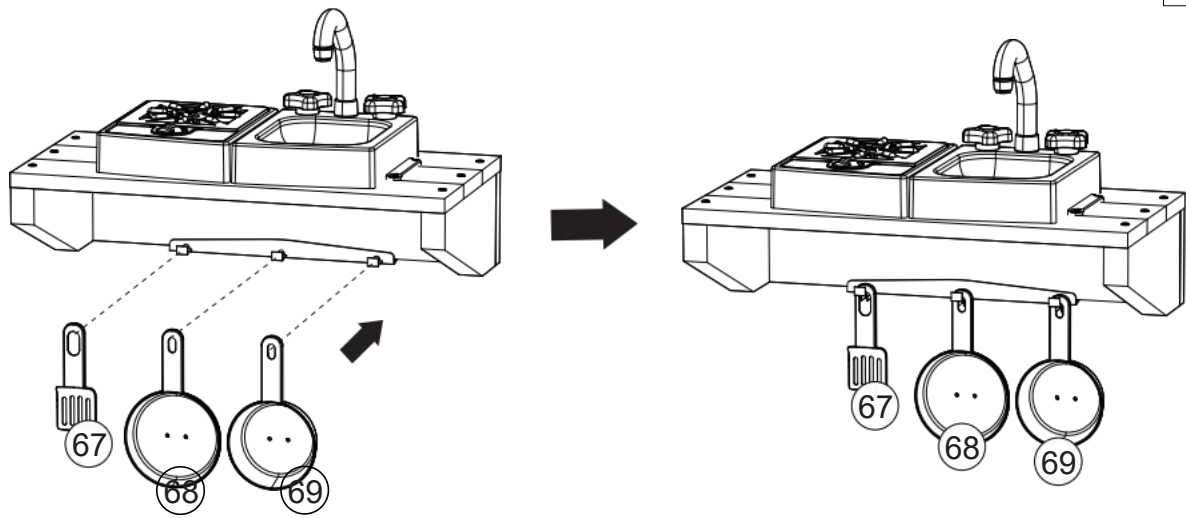
Step
Étape
Paso

71

67 x 1

68 x 1

69 x 1



MAINTENANCE

1. Clean and disinfect your product frequently to keep it clean and hygienic.
2. Check the reliability of the parts before use.

Manufacturer: Heze Jingran Woodware Co., Ltd.

Address: Zhuangzhai Town Industrial Park, Cao County, Shandong Province

EC REP: E-CrossStu GmbH.

Mainzer Landstr.69, 60329 Frankfurt am Main.

UK REP: YH CONSULTING LIMITED.

C/O YH Consulting Limited Office 147, Centurion House, London Road, Staines-upon-Thames, Surrey, TW18 4AX

Imported to AUS: SIHAO PTY LTD.

1 ROKEVA STREETEASTWOOD NSW 2122 Australia

Imported to USA: Sanven Technology Ltd.

Suite 250, 9166 Anaheim Place, Rancho Cucamonga, CA 91730

VEVOR®

Robuste Werkzeuge, Hälfte PREIS

**Technischer Support und E-Garantie-
Zertifikat www.vevor.com/support**

VEVOR^{R.}

TOUGH TOOLS. HALF PRICE

Assistance technique et Certificat de garantie électronique
www.vevor.com/support

CABINE THÉÂTRE

Modèle : TLG92008.

Nous continuons à nous engager à vous fournir outils avec compétitif prix.
"Sauvegarder Moitié", "Moitié prix" ou toute autre expression similaire utilisé par
seulement nous représente un estimation des économies dont vous pourriez bénéficier en
achetant certain outils avec nous par rapport à le majeur
haut marques et fait pas signifie nécessairement couvrir tout catégories d'outils offert
par nous. Vous
sont gentiment rappelé de vérifier soigneusement lorsque vous êtes passer une
commande avec nous si vous êtes
en fait, j'économise la moitié par rapport au top major marques.

VEVOR^R

TOUGH TOOLS, HALF PRICE

CABIN PLAYHOUSE

Modèle : TLG92008.



NEED HELP? CONTACT US!

Avoir questions sur le produit ? Besoin technique support ? S'il vous plaît, facilitez-vous sentir gratuit à contact nous:

Technique Soutien et Garantie électronique
Certificat www.vevor.com/support

Ce est l'instruction originale, s'il vous plaît lire tous manuel instructions soigneusement avant de l'utiliser. VEVOR se réserve une garantie claire interprétation de notre manuel d'utilisation. L'apparence du produit devoir être sujet à le Produit que vous avez reçu. Veuillez nous pardonner que nous ne le ferons pas informer toi encore si il y en a technologie ou logiciel

mises à jour sur notre produit.

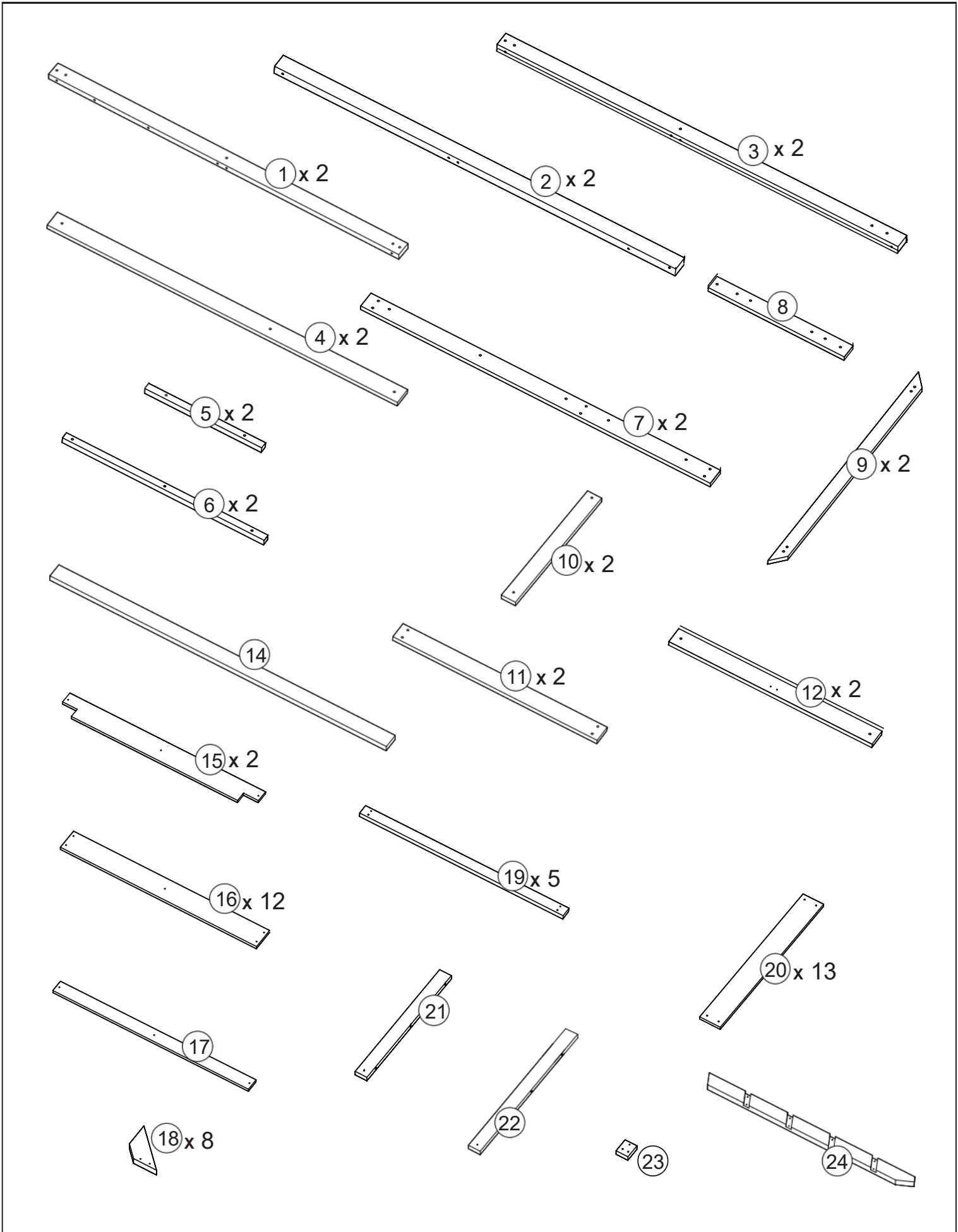
SAFETY INSTRUCTIONS

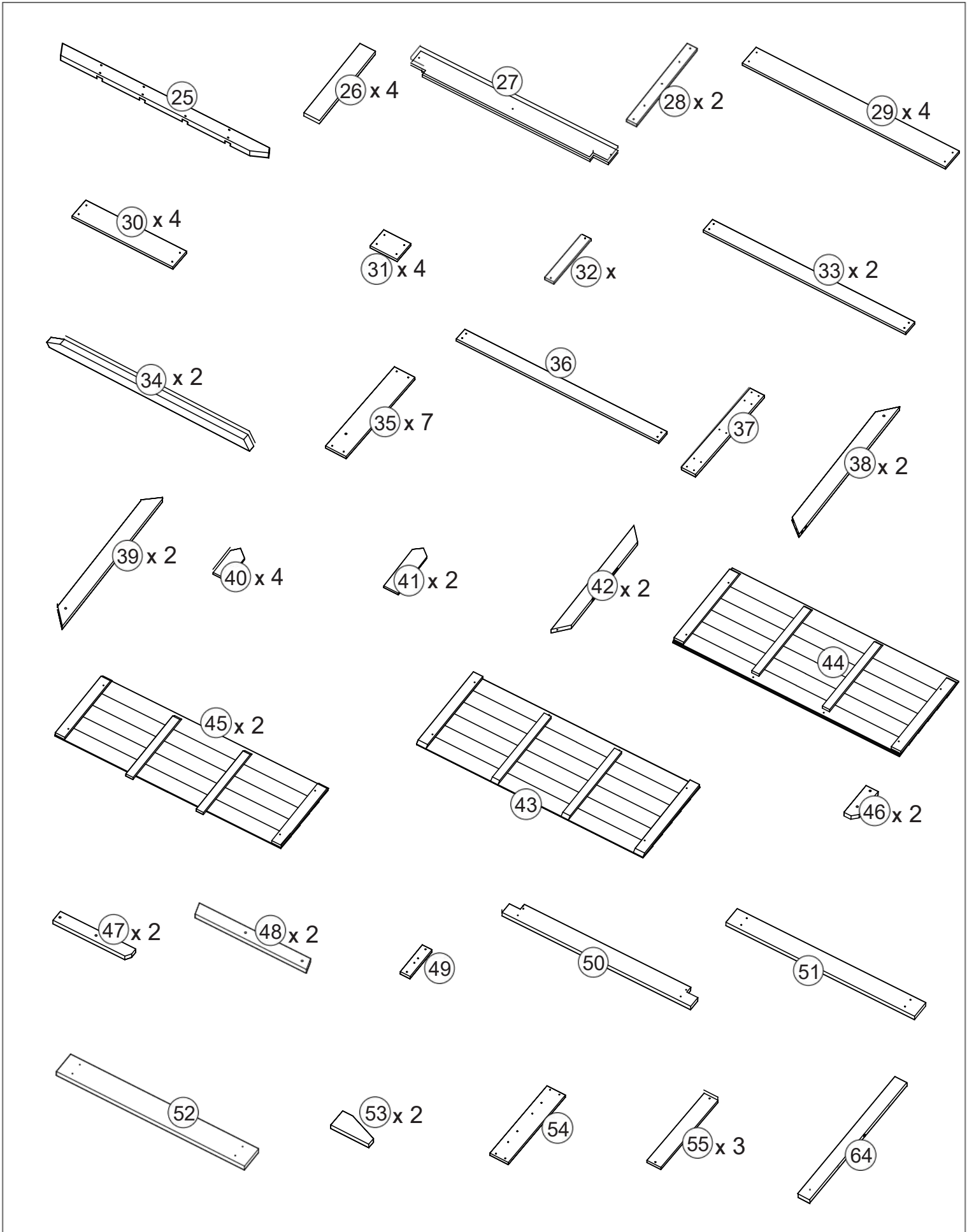
WARNING:

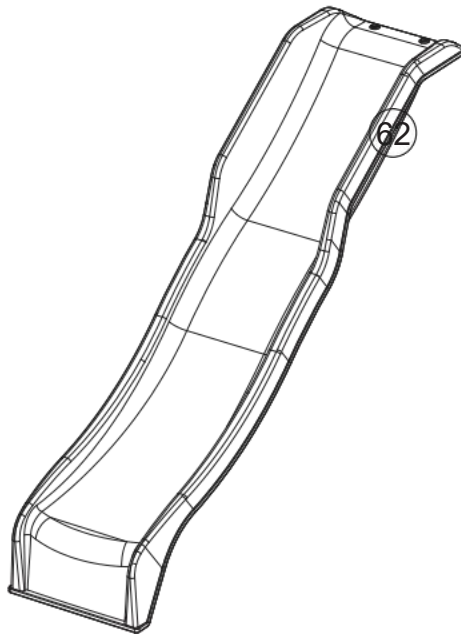
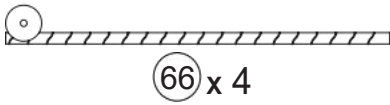
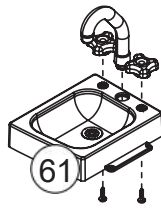
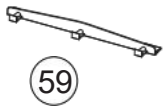
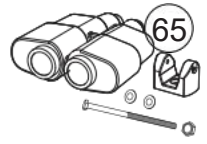
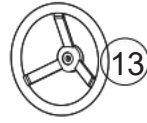
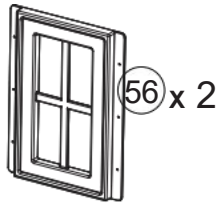
1. This manual lists the contents included in the box. Please take time to identify the hardware as well as the individual components of the product.
2. As you unpack and prepare for assembly, place the contents on a carpeted or padded area to protect them from damage.
3. Small parts present in unassembled state. It's a choking hazard!
4. Please follow the assembly instructions closely. Improper assembly can result in personal or property damage.
5. Assembled by an adult. In the process of play, parents should always accompany the children's side.
6. Do not install it in a dark, damp place.
7. Put it in a place with good ventilation.
8. Clean and disinfect your product frequently to keep it clean and hygienic.
9. Do not overload.









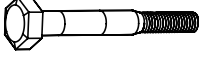
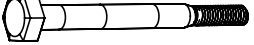
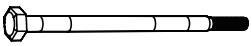
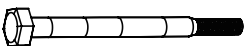

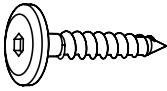
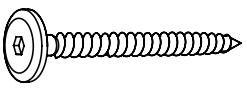

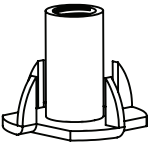
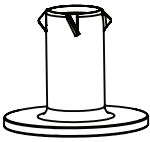
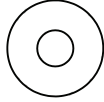
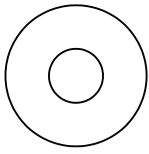
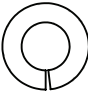

MODEL AND PARAMETERS

Model	TLG92008
Age of application	3-10 age
Product Size	2320*3100*2690mm
Material	Wood







A	x 20	B	x 8	C	x 4	D	x 39	E	x 222
									
15mm		20mm		20mm		25mm		35mm	
F	x 76	g	x 20	H	x 15	je	x 8	J.	x 20
									
45mm		60mm		70mm		H2		H3	
K	x 30	L	x 6	M	x 7	N	x 4	Ô	x 8
									
H4		H12		PB2		WL3		WL5	
P	x 4	Q	x 64	R.	x 7	S	x 24	T	x 85
									
		TN1		NE1		FW3		AH1	
U	x 71	x 1							
									
LW1		D6							

Cleaning and Care:

Clean surfaces with a dry or damp soft cloth. Do not use abrasive cleaners.

Nettoyage et Entretien:

Nettoyer les surfaces avec un chiffon doux, sec ou humide. Ne pas utiliser de nettoyeurs abrasifs.

Limpieza y Cuidado:

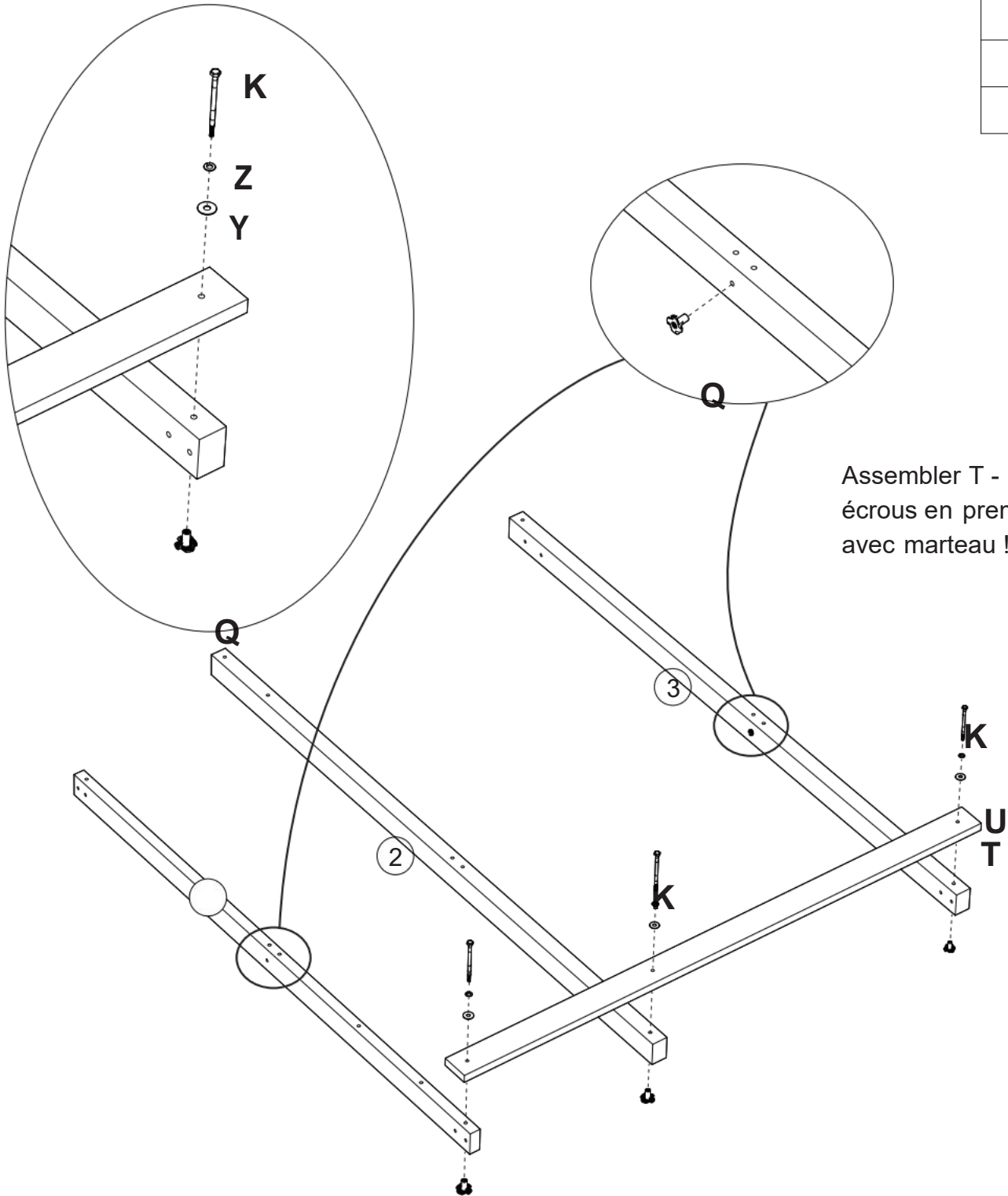
Limpie las superficies con un paño suave seco o húmedo. No use limpiadores abrasivos.

Step
Étape
Paso

1



- ① x 1
- ② x 1
- ③ x 1
- ④ x 1
- Ⓚ x 3
- Ⓚ x 5
- Ⓣ x 3
- Ⓤ x 3



Assembler T - Les écrous en premier avec marteau !

1

K

U
T

④

Q

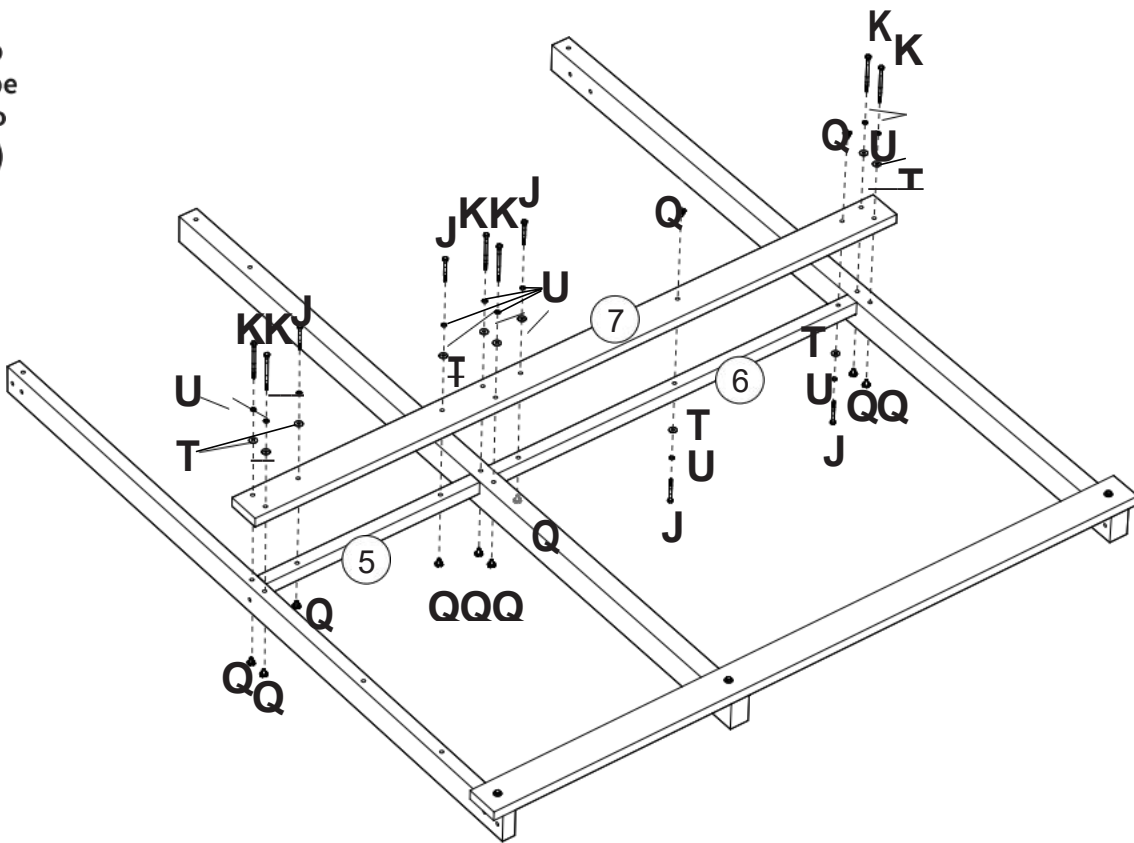
U
T

Q

Q

Step
Étape
Paso

2



⑤ x 1

⑥ x 1

⑦ x 1

Ⓚ x 6

Ⓝ x 5

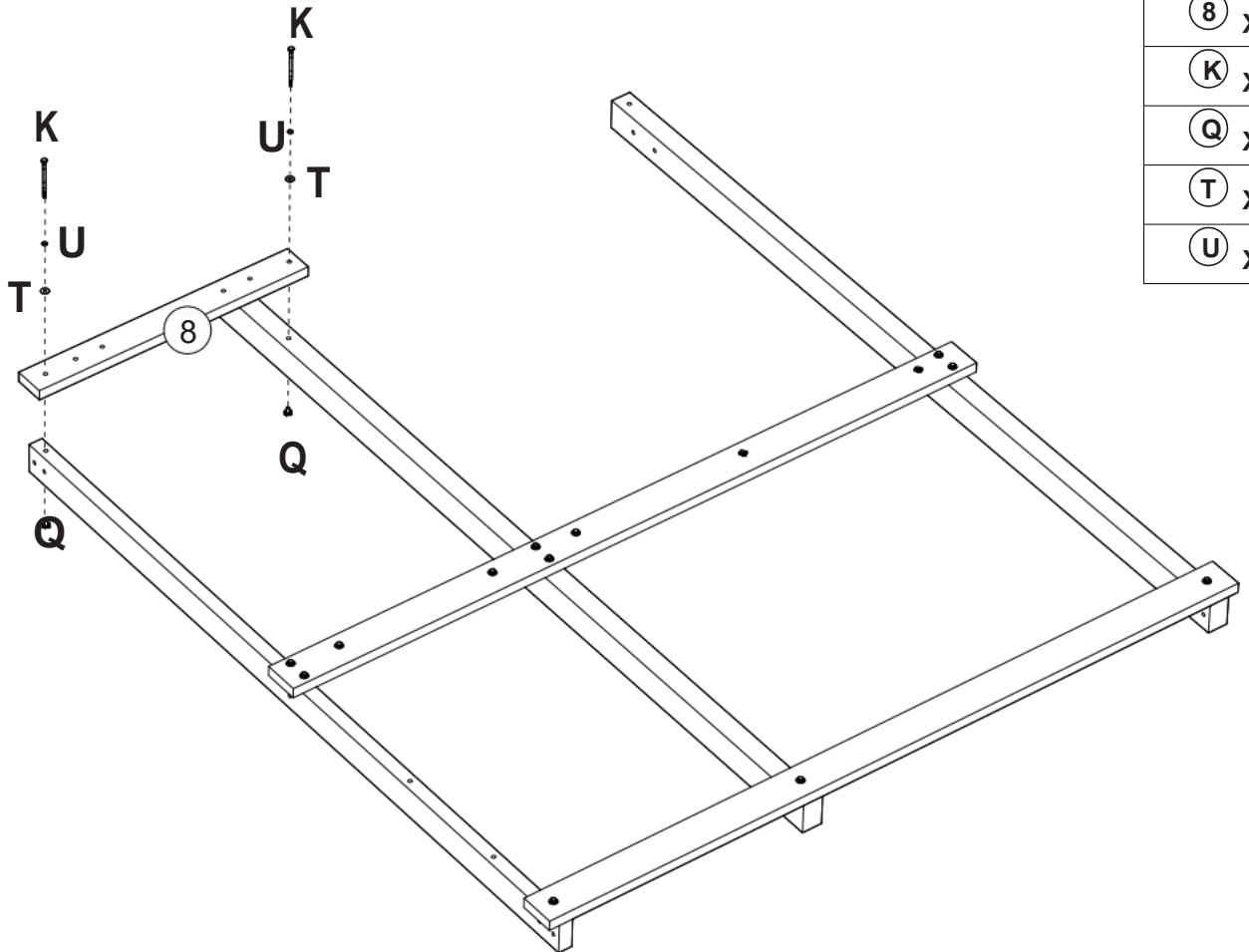
Ⓠ x 11

Ⓣ x 11

Ⓤ x 11

Step
Étape
Paso

3



⑧ x 1

Ⓚ x 2

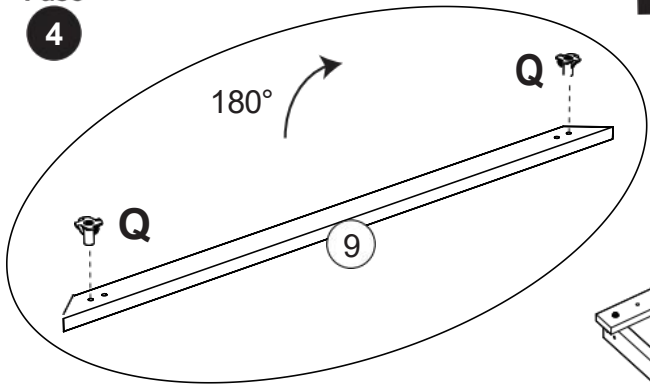
Ⓠ x 2

Ⓣ x 2

Ⓤ x 2

Step
Étape
Paso

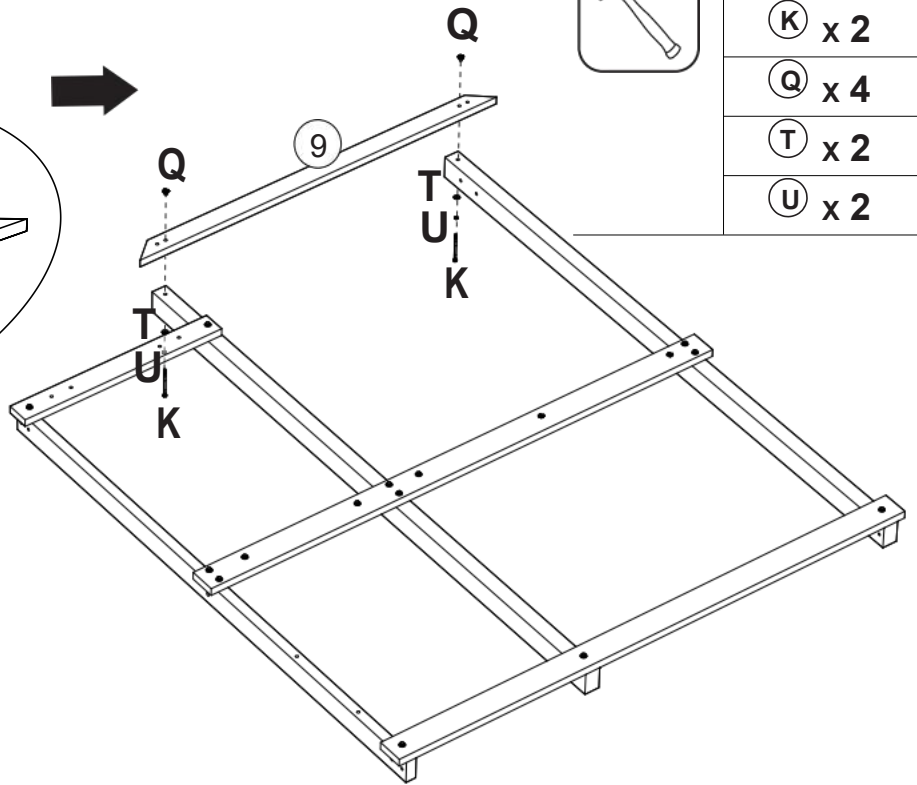
4



Assemble T-Nuts first with hammer!

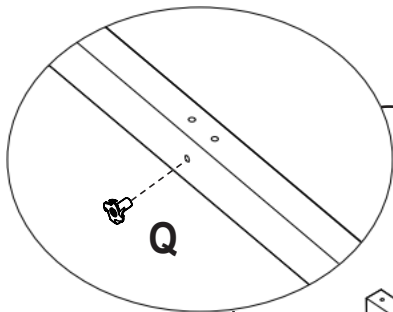


- ⑨ x 1
- Ⓚ x 2
- Ⓠ x 4
- Ⓣ x 2
- Ⓤ x 2

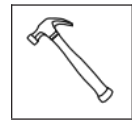


Step
Étape
Paso

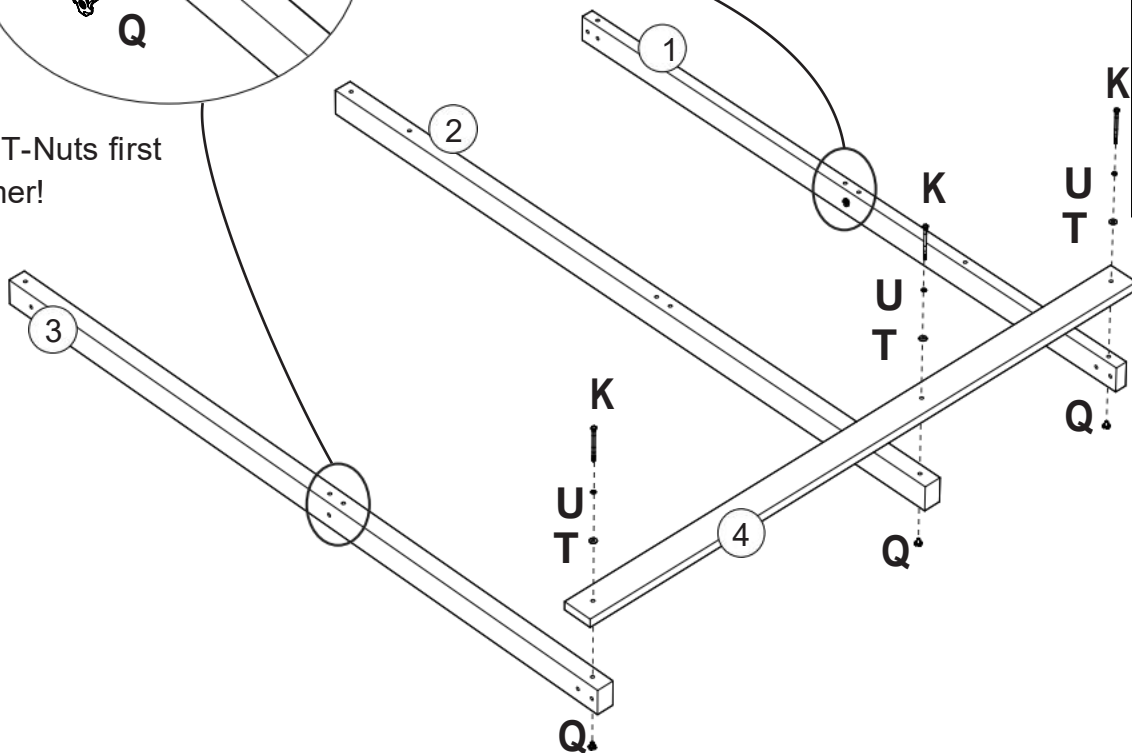
5



Assemble T-Nuts first with hammer!

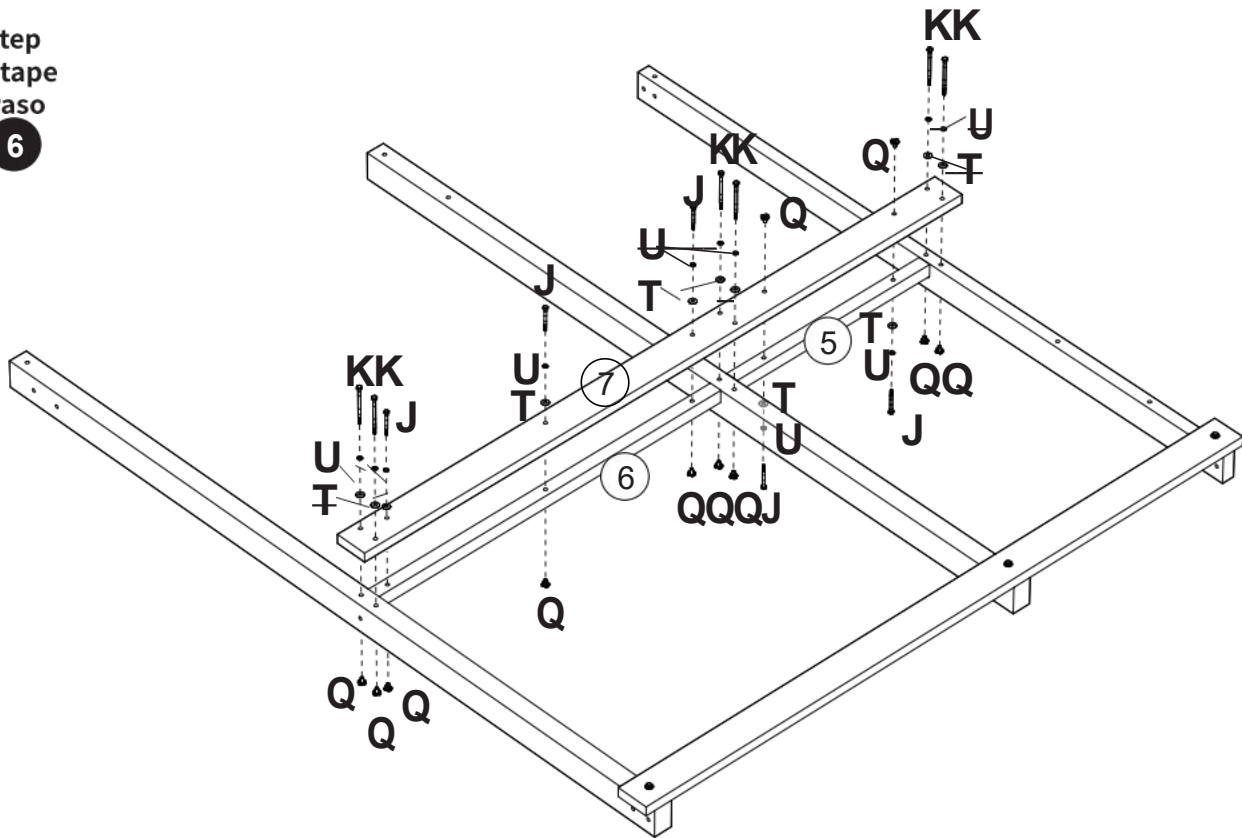


- ① x 1
- ② x 1
- ③ x 1
- ④ x 1
- Ⓚ x 3
- Ⓠ x 5
- Ⓣ x 3
- Ⓤ x 3



Step
Étape
Paso

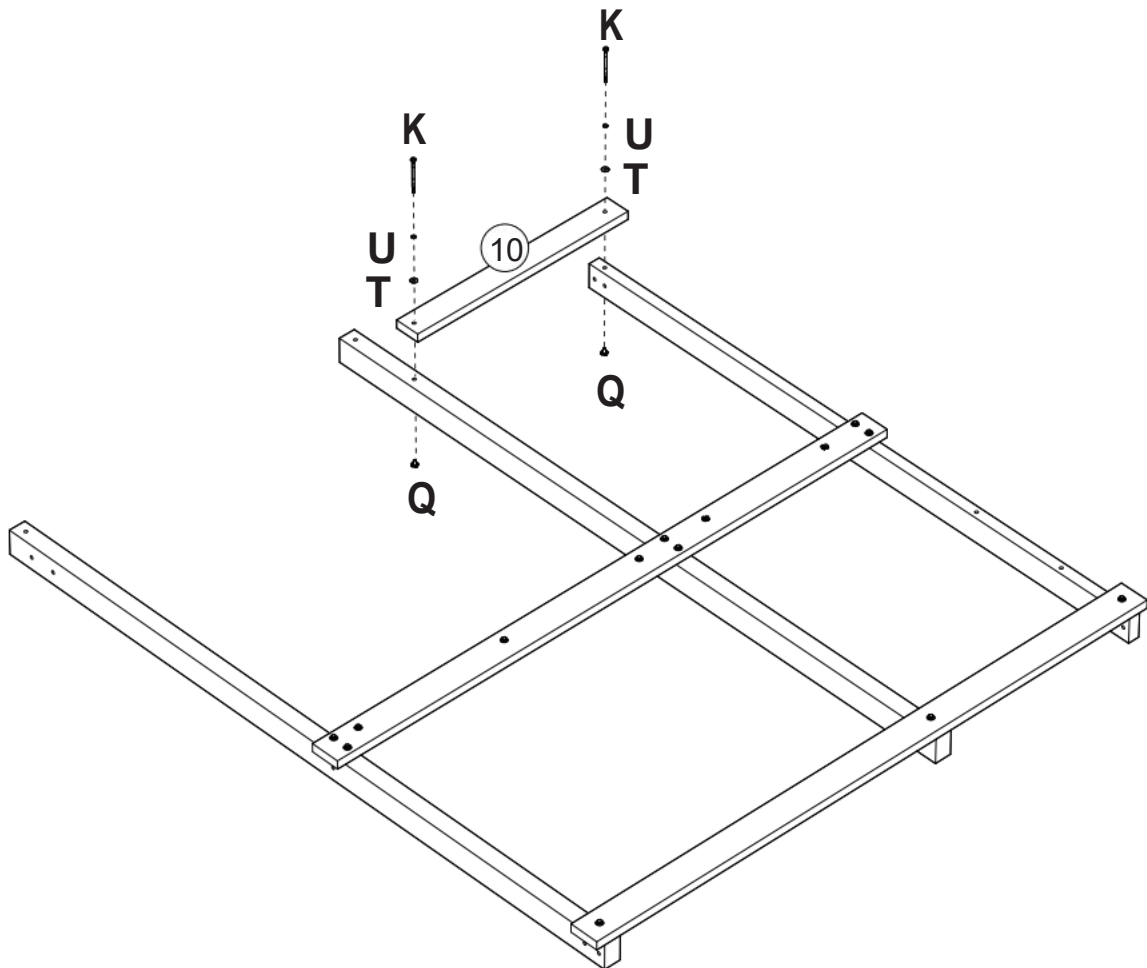
6



- ⑤ x 1
- ⑥ x 1
- ⑦ x 1
- Ⓚ x 6
- Ⓝ x 5
- Ⓠ x 11
- Ⓣ x 11
- Ⓤ x 11

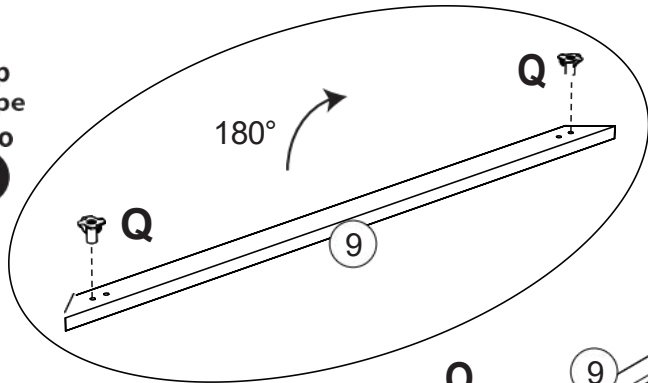
Step
Étape
Paso

7

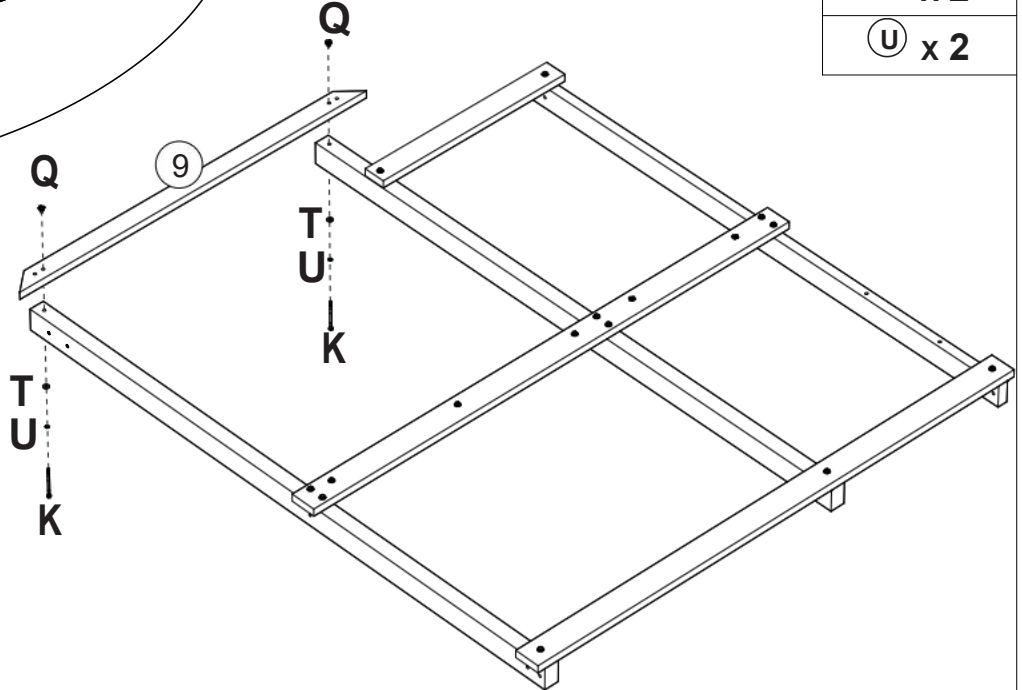


- ⑩ x 1
- Ⓚ x 2
- Ⓠ x 2
- Ⓣ x 2
- Ⓤ x 2

Step
Étape
Paso
8

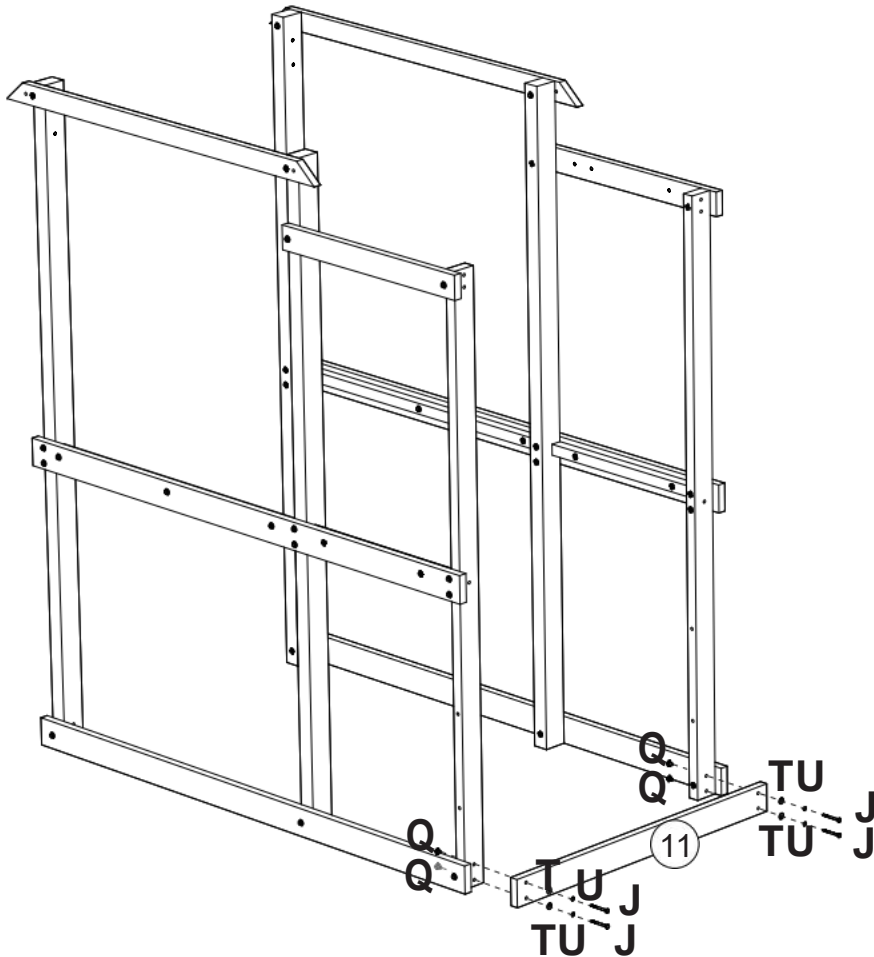


Assemble T-Nuts first
with hammer!



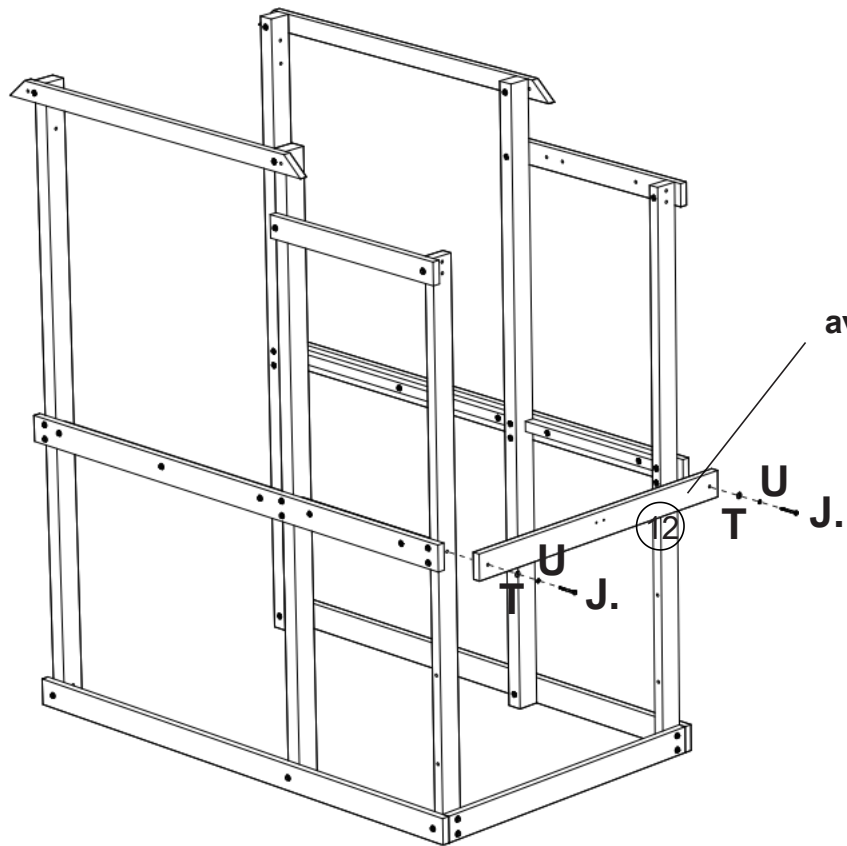
- ⑨ x 1
- Ⓚ x 2
- Ⓠ x 4
- Ⓣ x 2
- Ⓤ x 2

Step
Étape
Paso
9



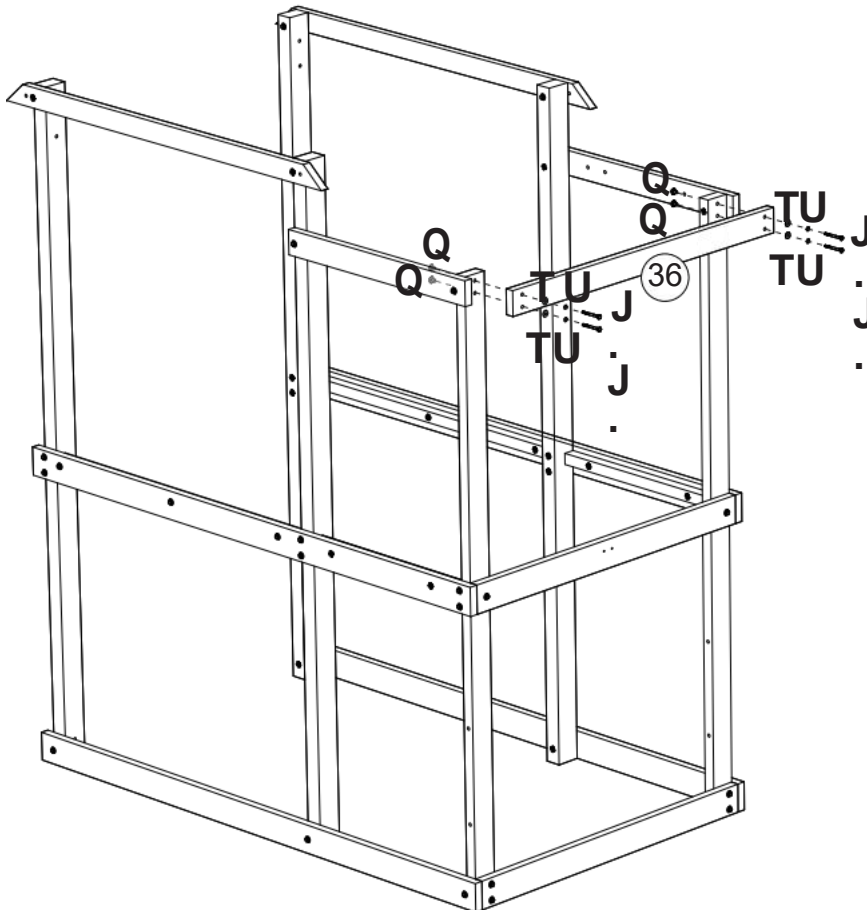
- ⑪ x 1
- Ⓝ x 4
- Ⓠ x 4
- Ⓣ x 4
- Ⓤ x 4

Step
Étape
Paso
dix



12	x 1
J	x 2
T	x 2
U	x 2

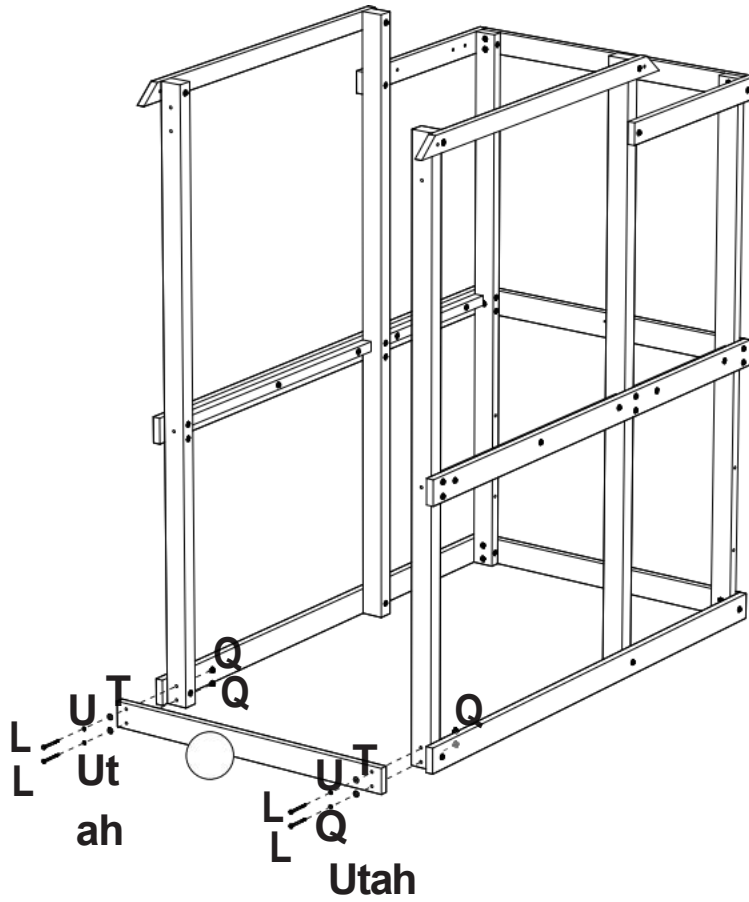
Step
Étape
Paso
11



36	x 1
J	x 4
Q	x 4
T	x 4
U	x 4

Step
Étape
Paso

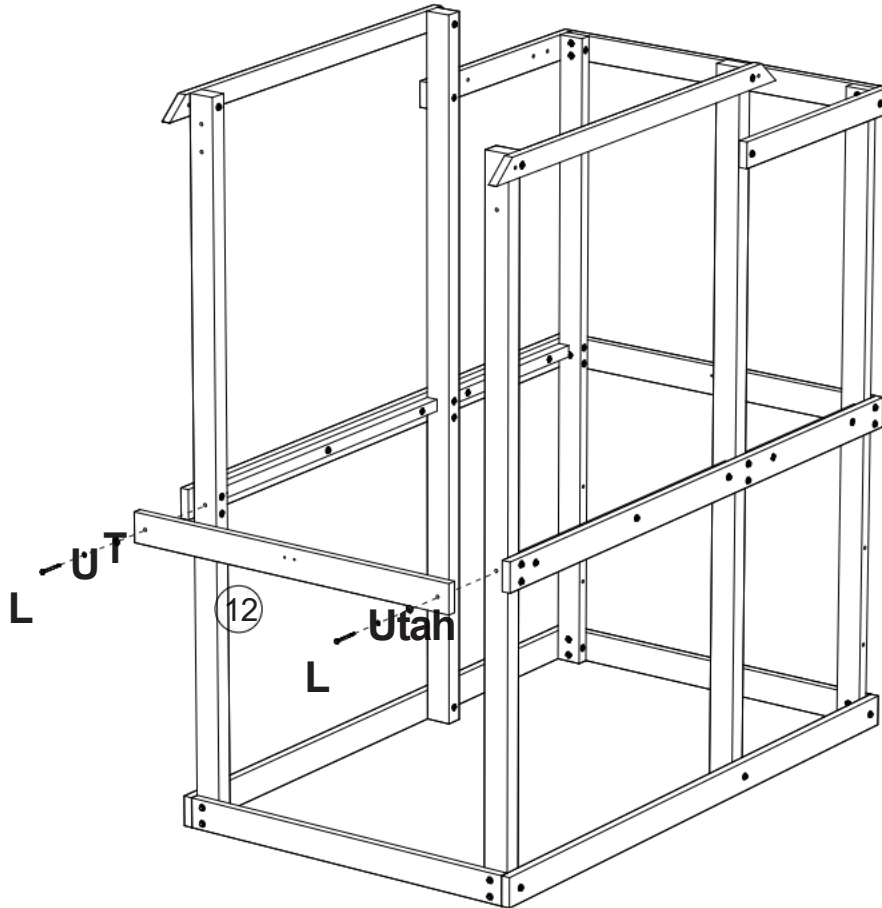
12



⑪	x 1
Ⓛ	x 4
Ⓚ	x 4
Ⓣ	x 4
Ⓤ	x 4

Step
Étape
Paso

13



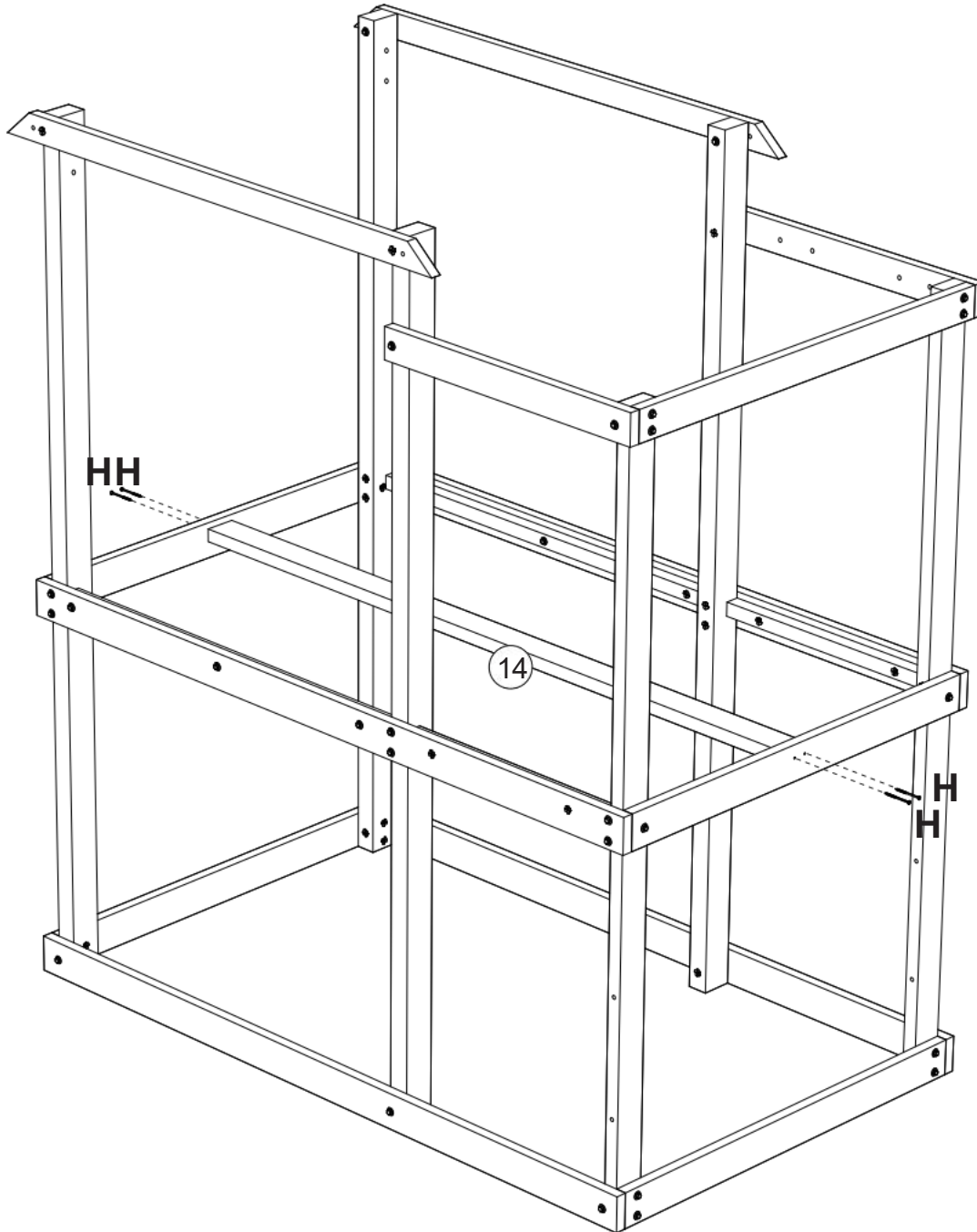
⑫	x 1
Ⓛ	x 2
Ⓣ	x 2
Ⓤ	x 2

Step
Étape
Paso

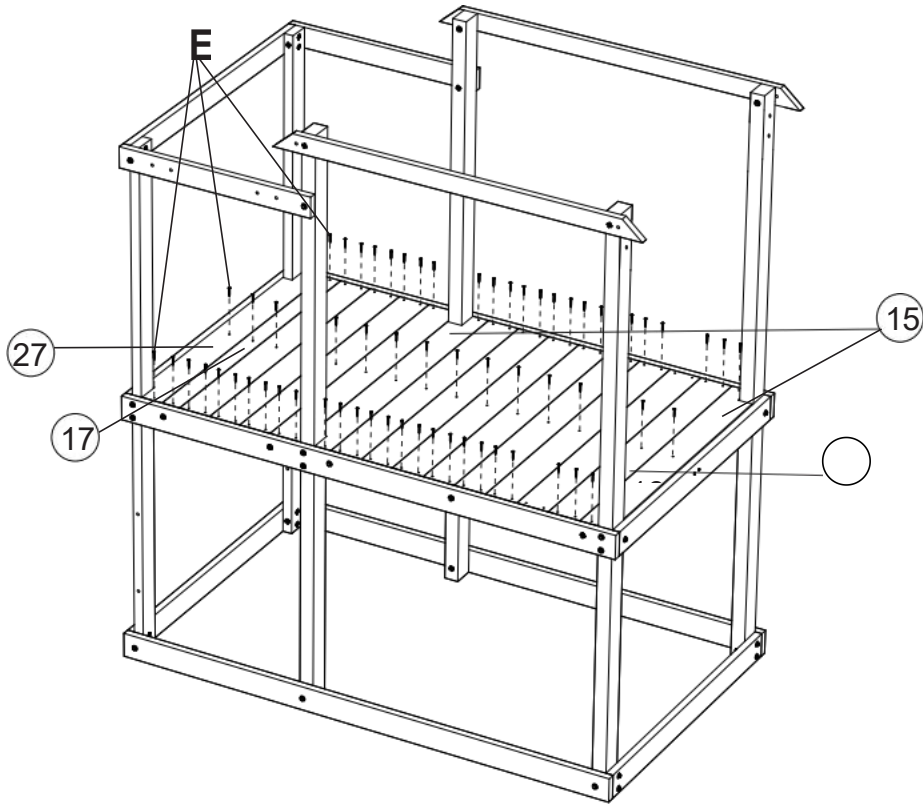
14

14 x 1

H x 4

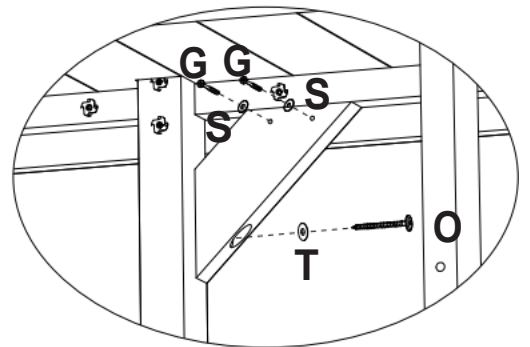
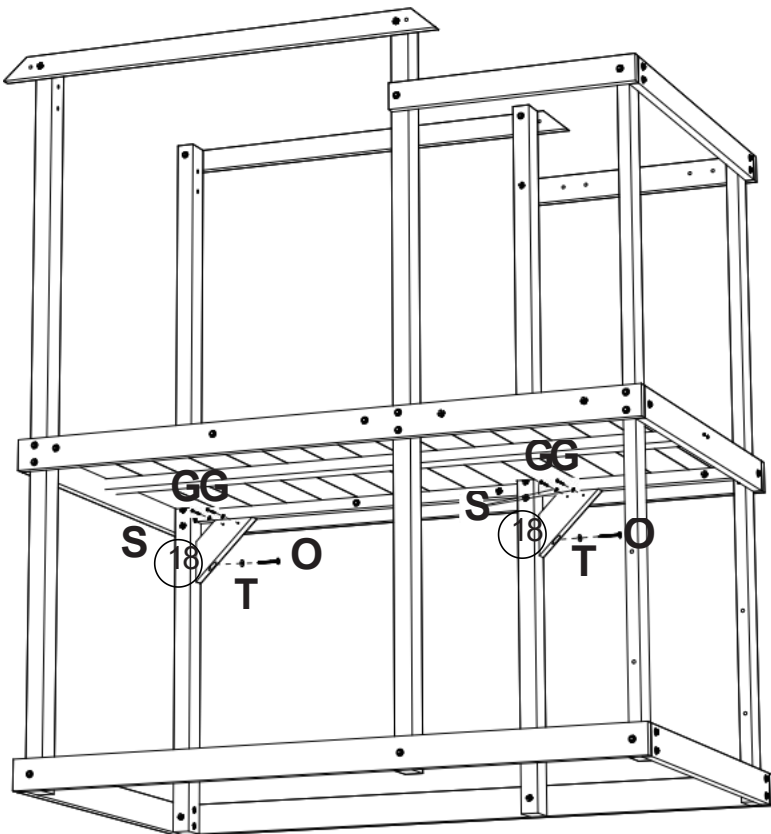


Step
Étape
Paso
15



- ⓫ x 2
- ⓬ x 12
- ⓭ x 1
- ⓮ x 1
- Ⓔ x 67

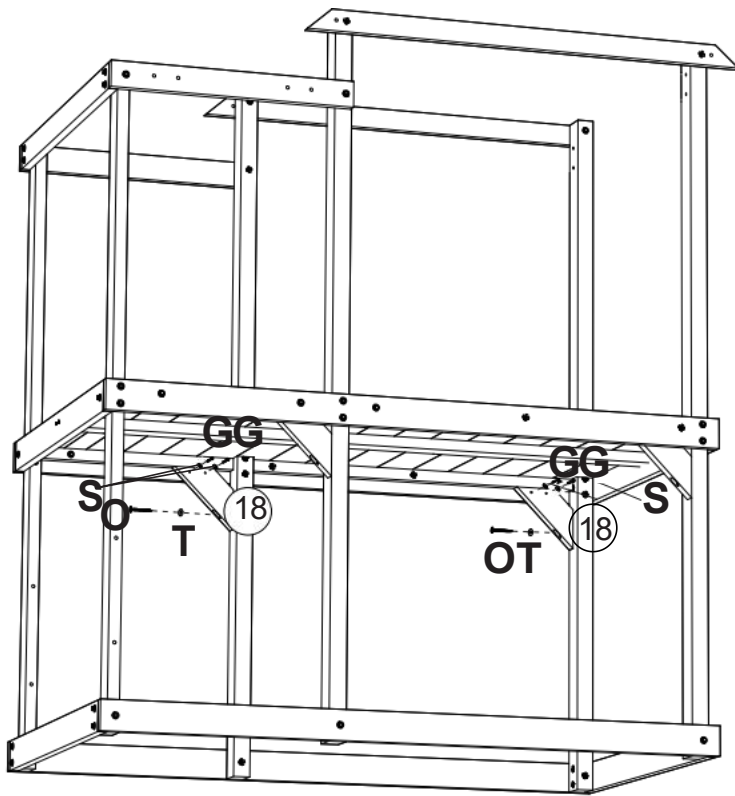
Step
Étape
Paso
16



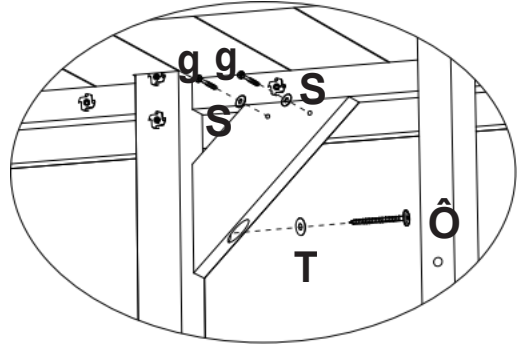
- ⓯ x 2
- ⓰ x 4
- ⓱ x 2
- ⓲ x 4
- ⓳ x 2

Step
Étape
Paso

17

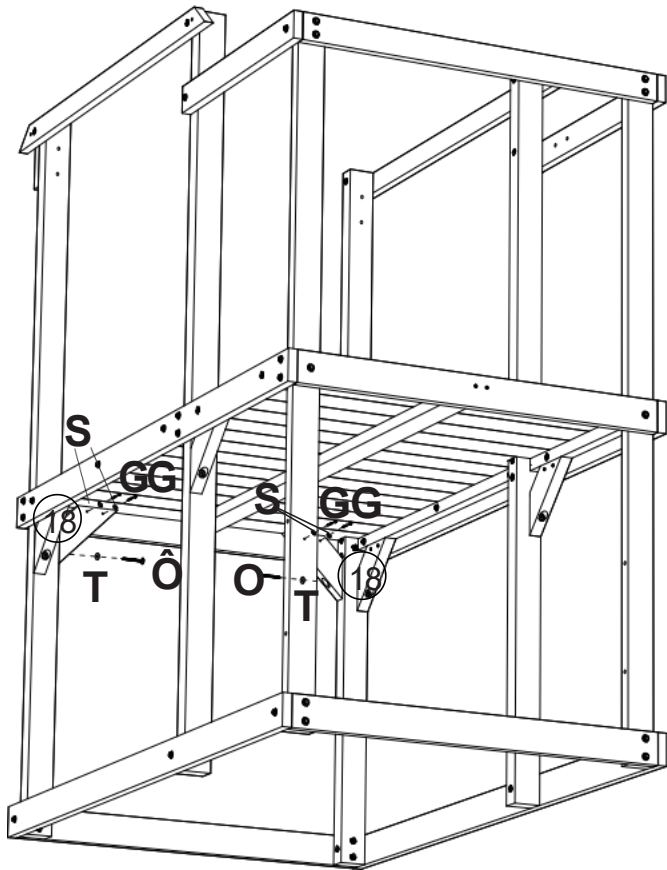


- ⊙18 x 2
- ⊙G x 4
- ⊙O x 2
- ⊙S x 4
- ⊙T x 2

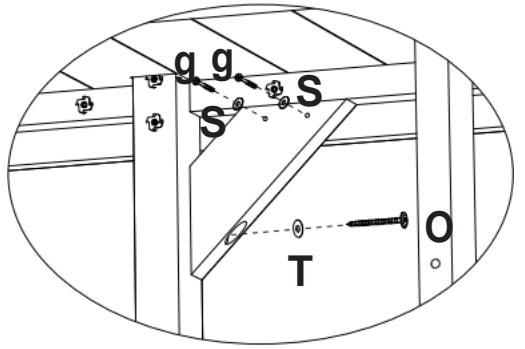


Step
Étape
Paso

18

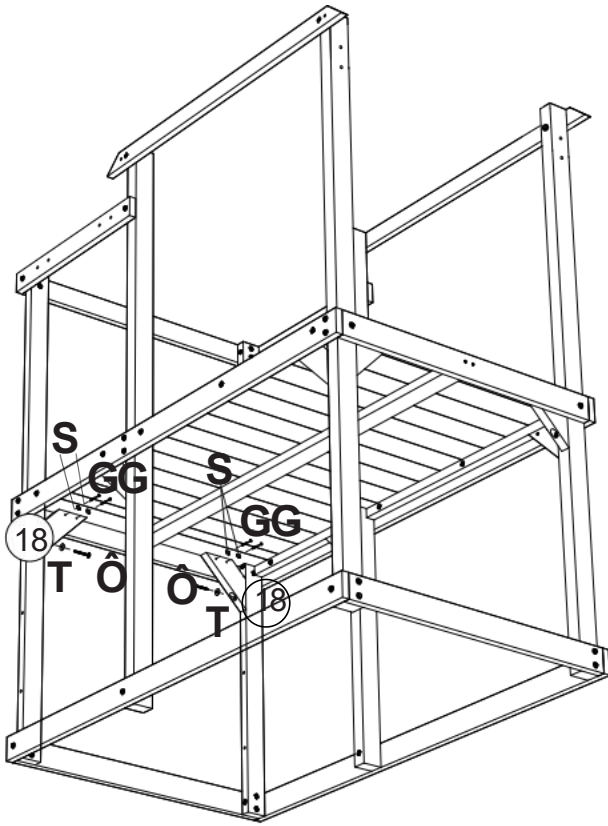


- ⊙18 x 2
- ⊙G x 4
- ⊙O x 2
- ⊙S x 4
- ⊙T x 2



Step
Étape
Paso

19



18 x 2

G x 4

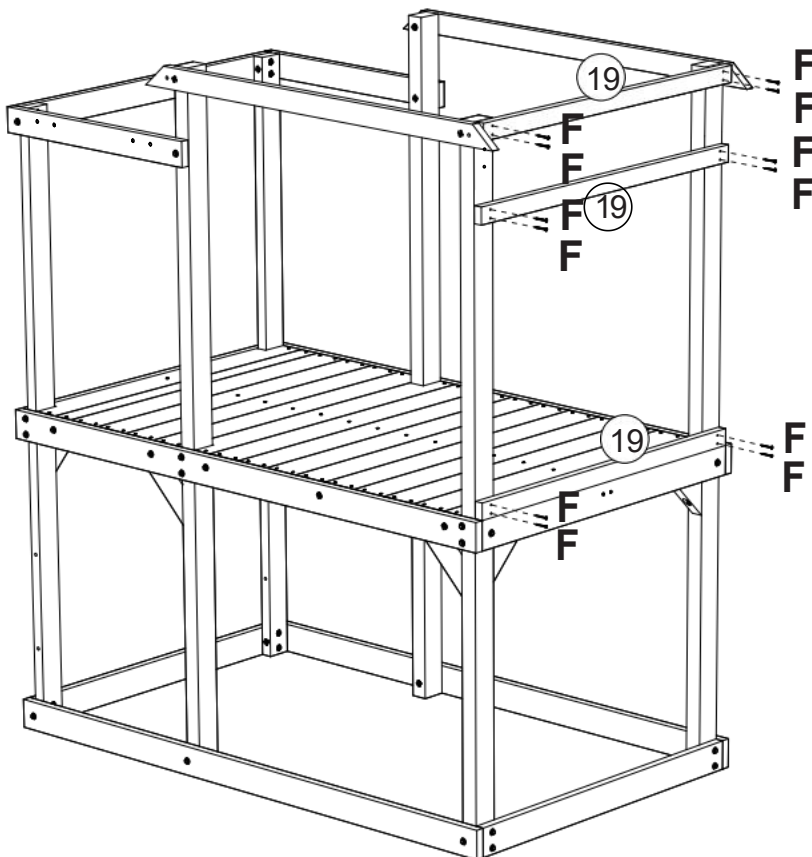
O x 2

S x 4

T x 2

Step
Étape
Paso

20

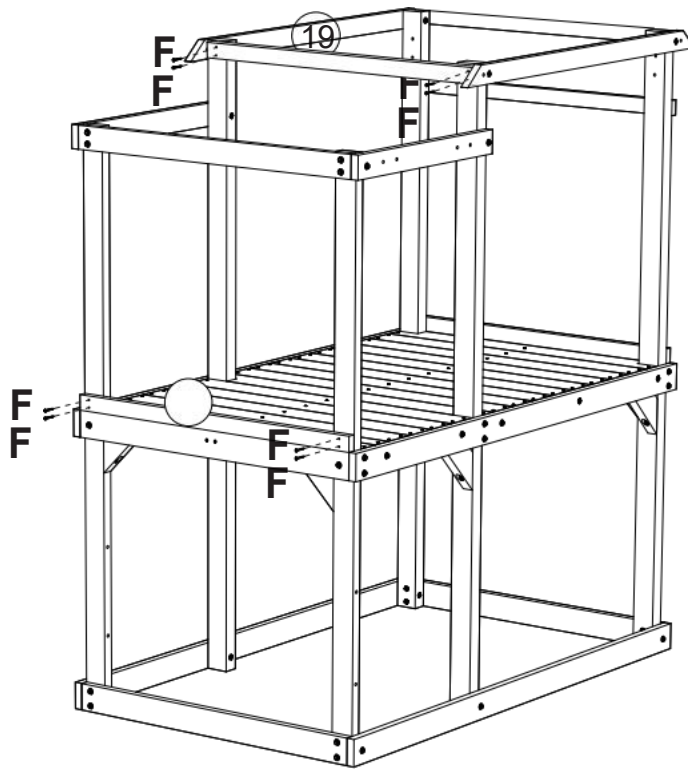


19 x 3

F x 12

Step
Étape
Paso

21

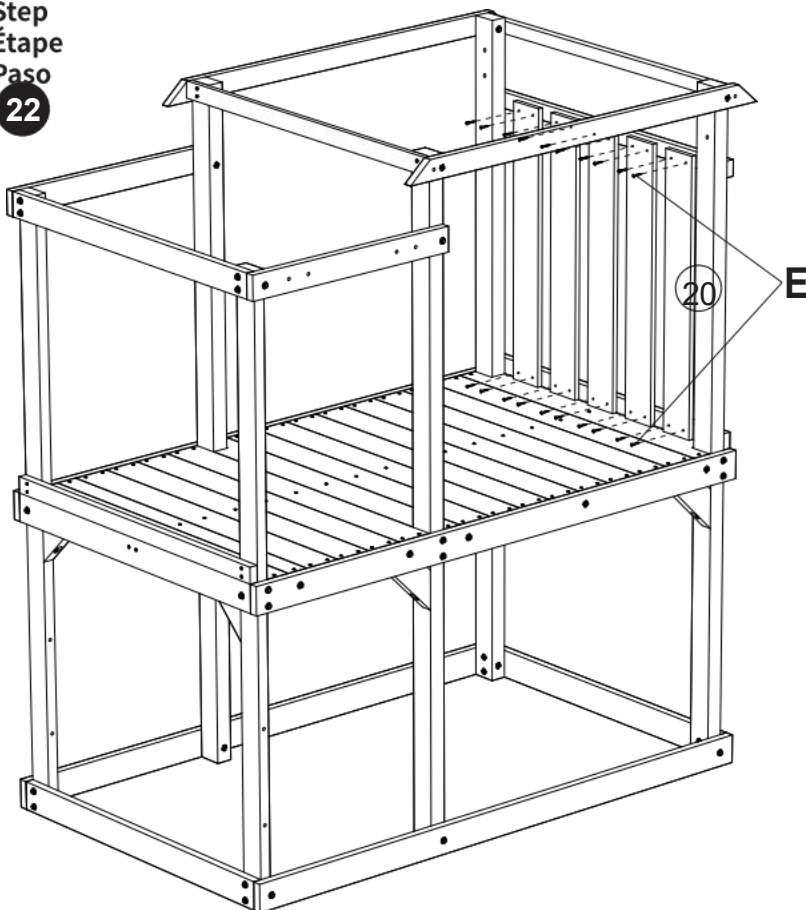


19 x 2

F x 8

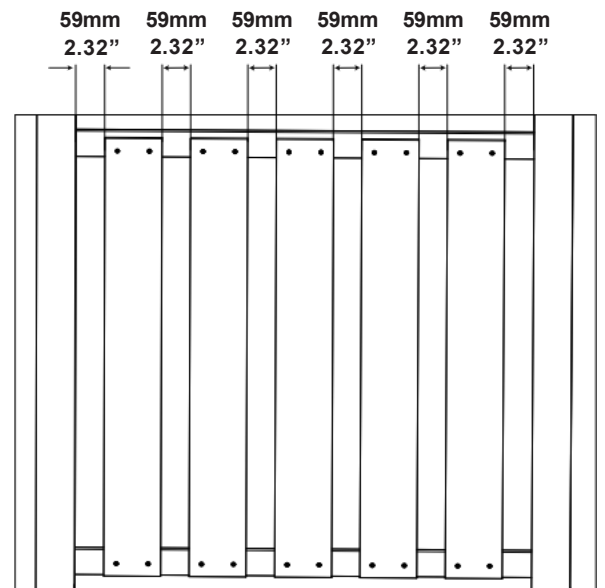
Step
Étape
Paso

22



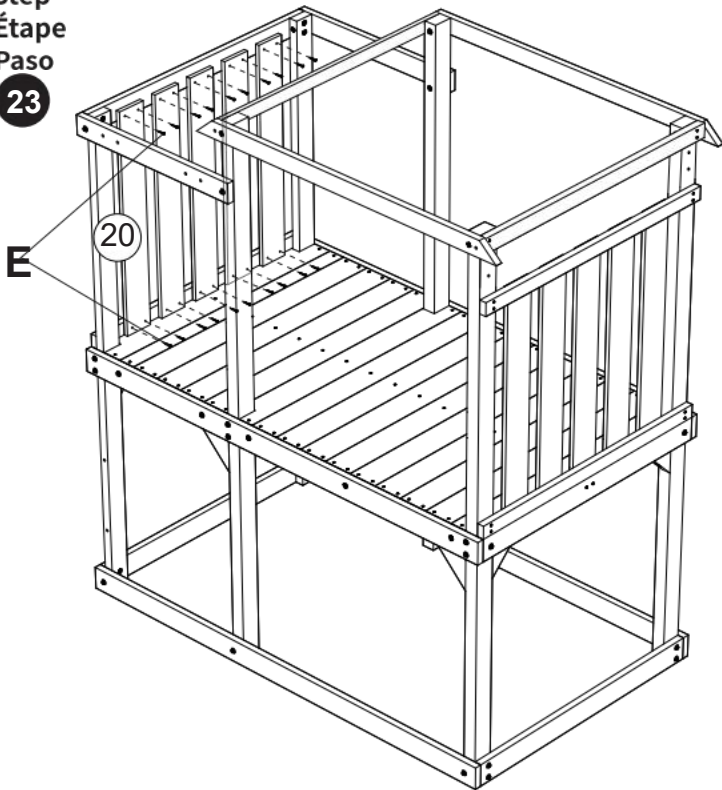
20 x 5

E x 20



Step
Étape
Paso

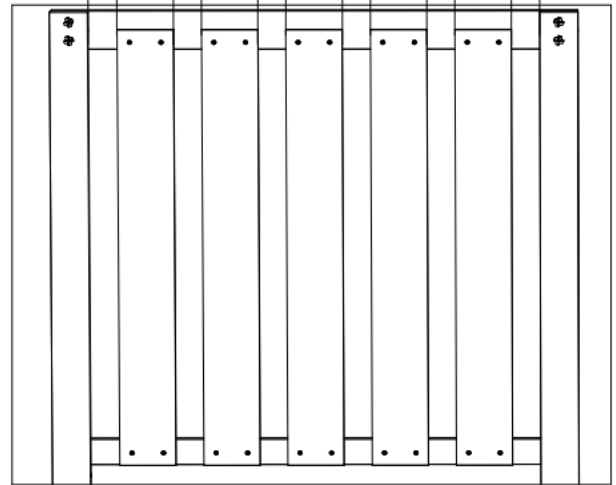
23



20 x 5

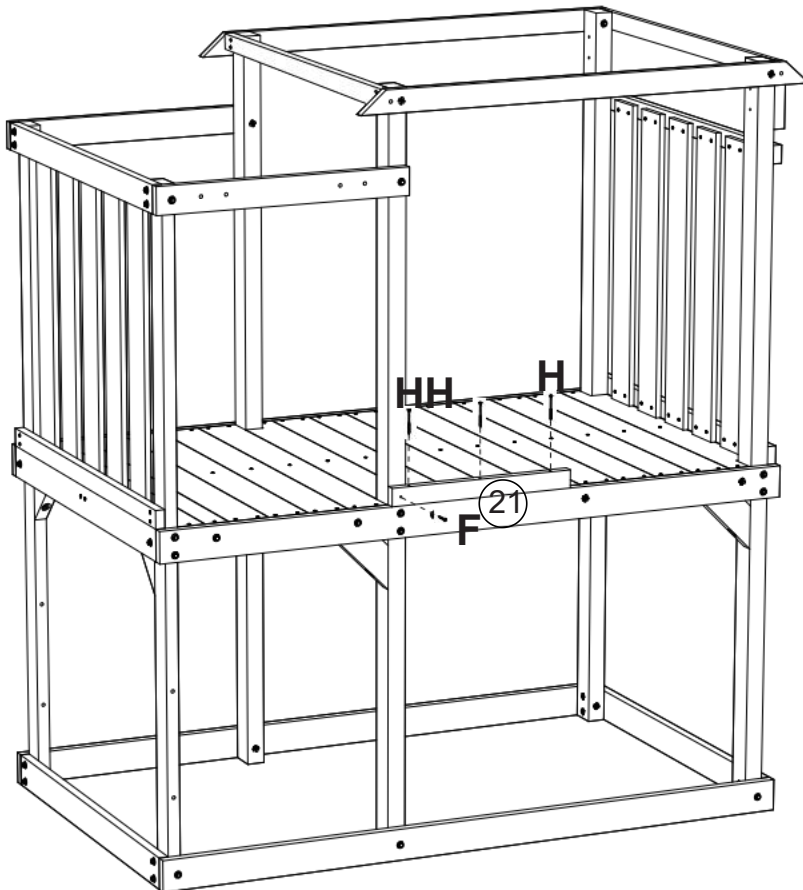
E x 20

59mm 59mm 59mm 59mm 59mm 59mm
2,32" 2,32" 2,32" 2,32" 2,32" 2,32"



Step
Étape
Paso

24



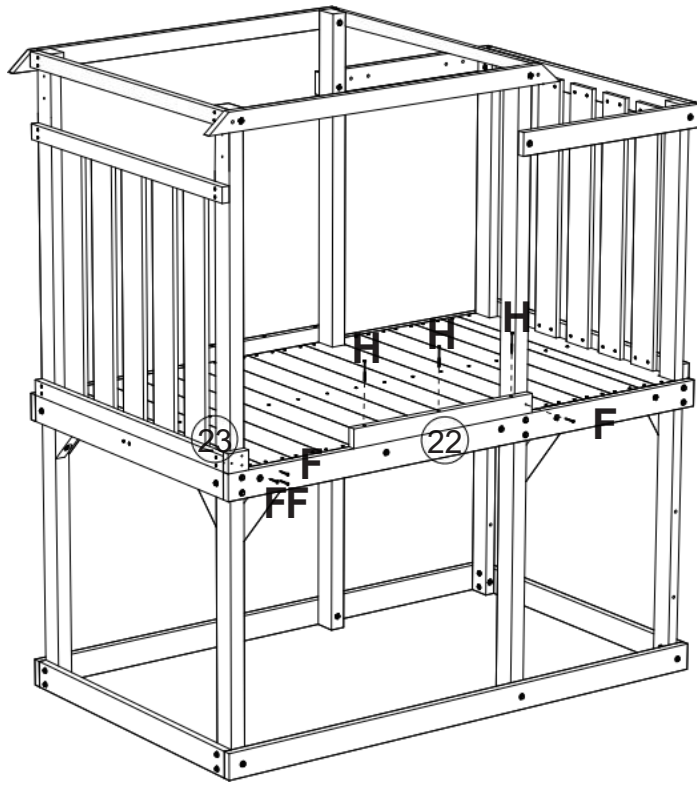
21 x 1

F x 1

H x 3

Step
Étape
Paso

25



22 x 1

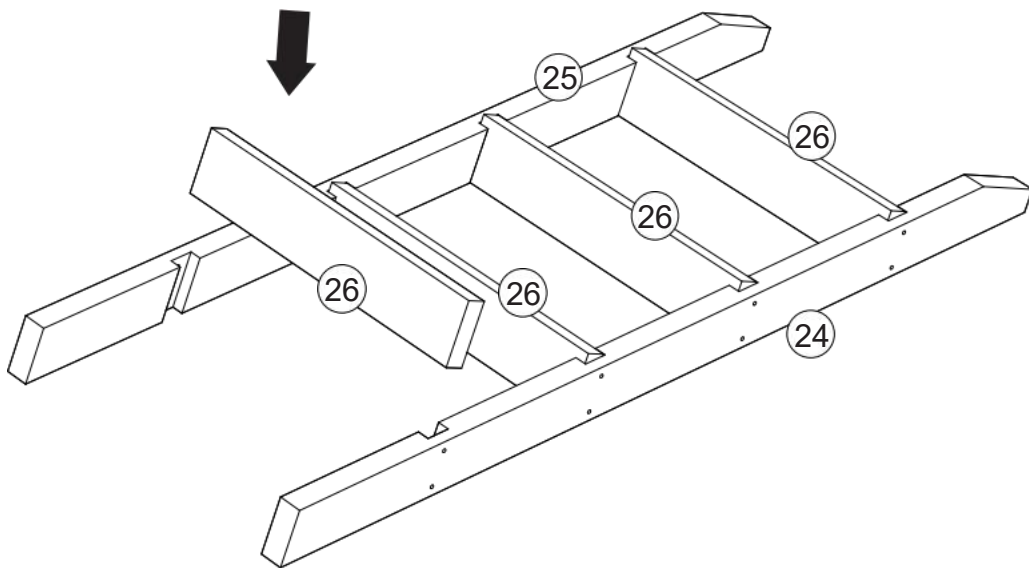
23 x 1

F x 4

H x 3

Step
Étape
Paso

26



24 x 1

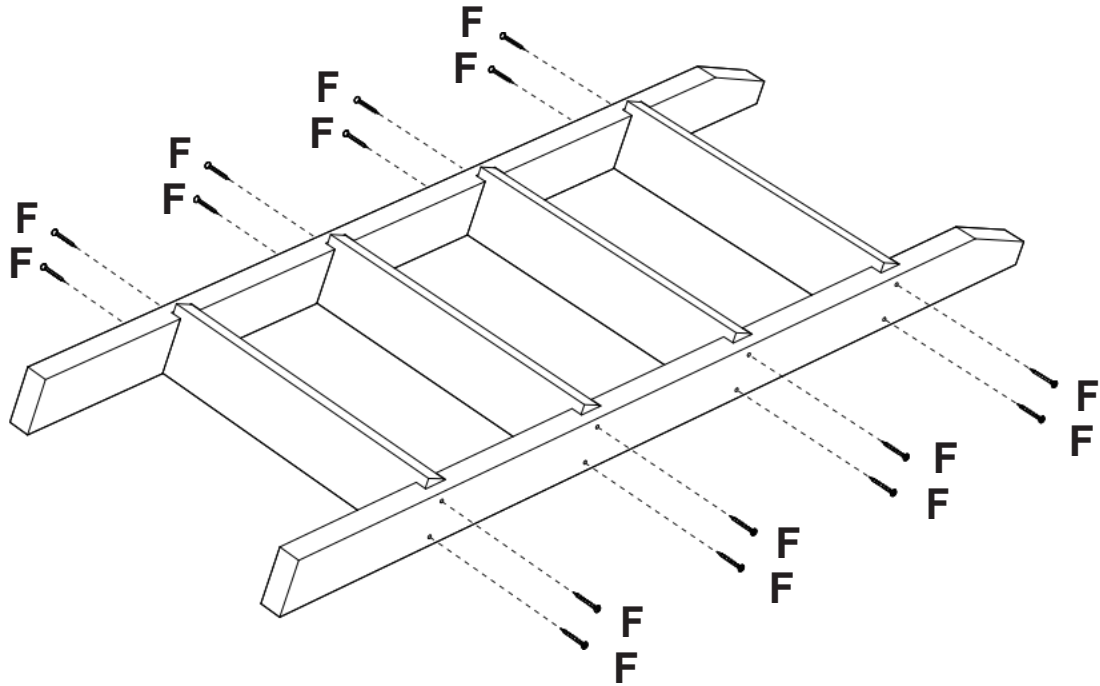
25 x 1

26 x 4

(F) x 16

Step
Étape
aso

27

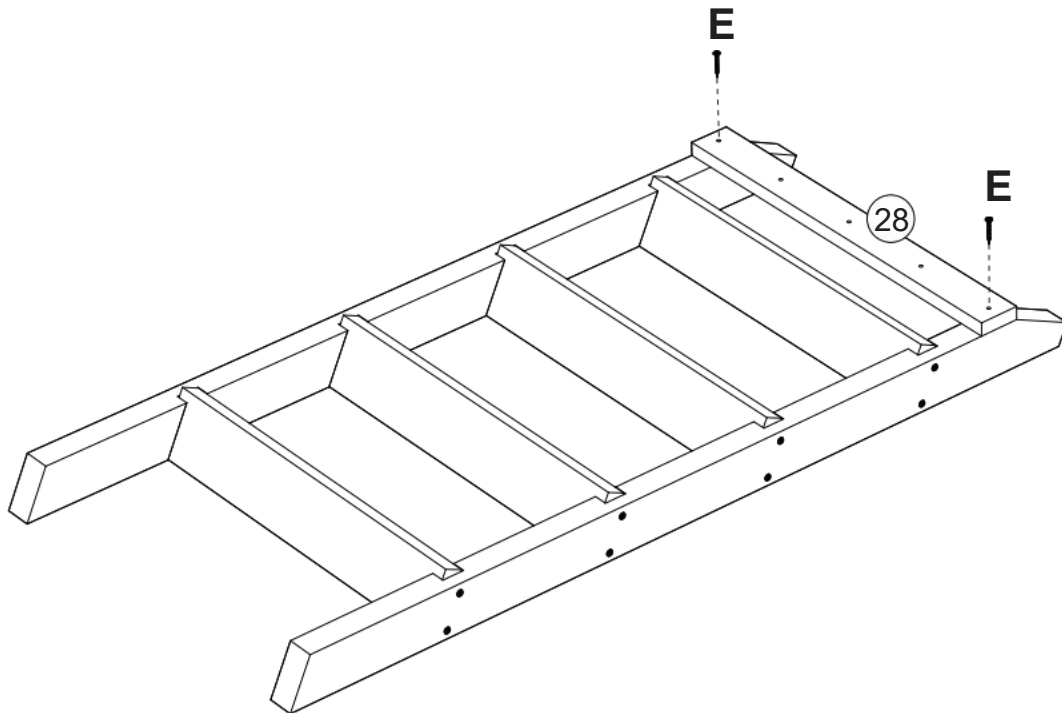


Step
Étape
aso

28

(28) x 1

(E) x 2

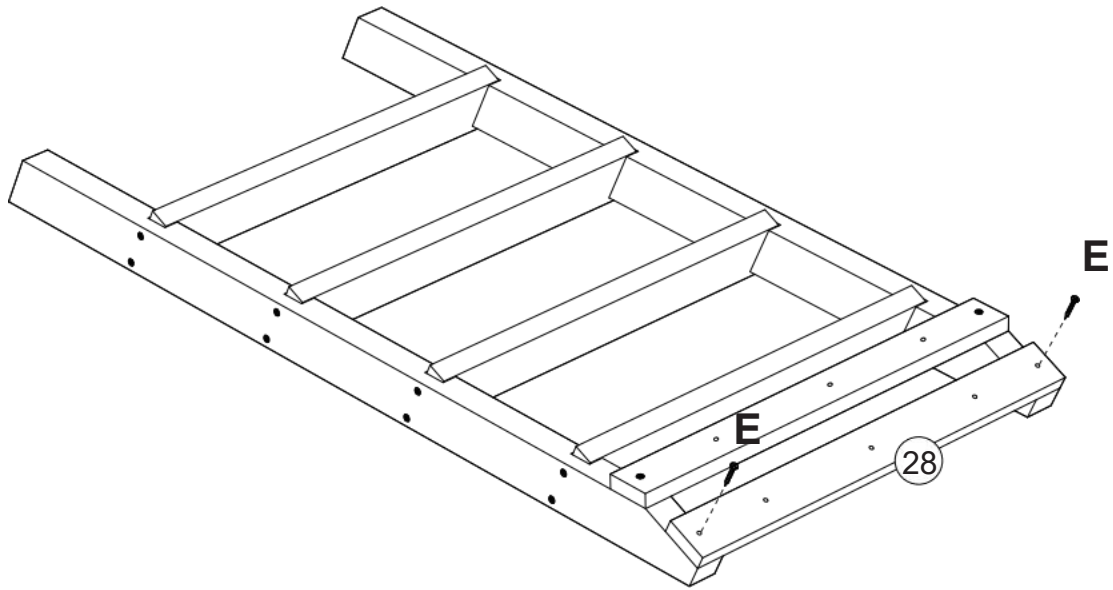


Step
Étape
Paso

29

28 x 1

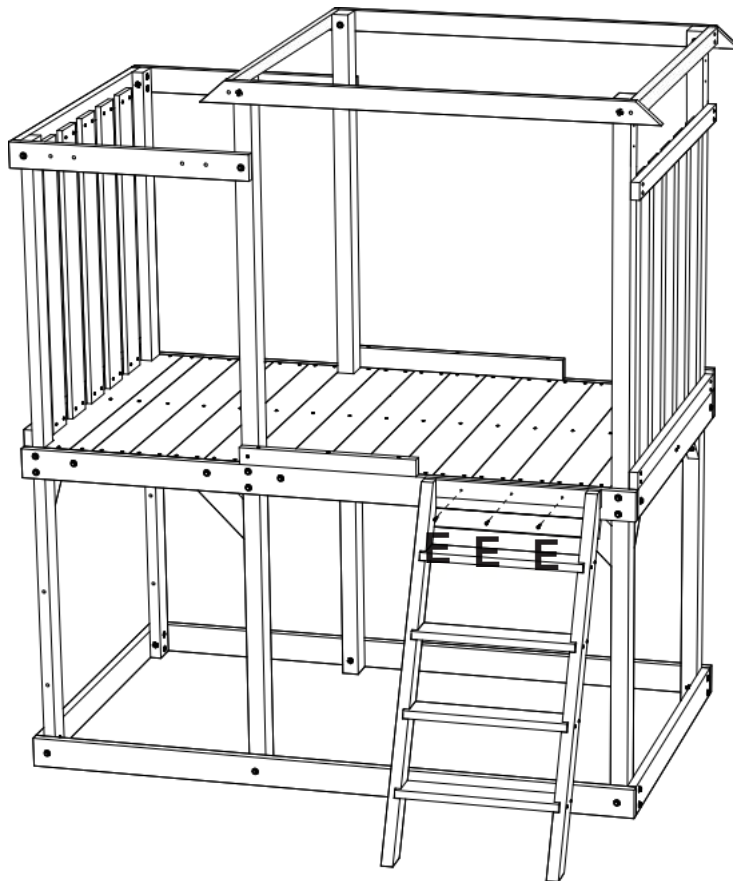
E x 2



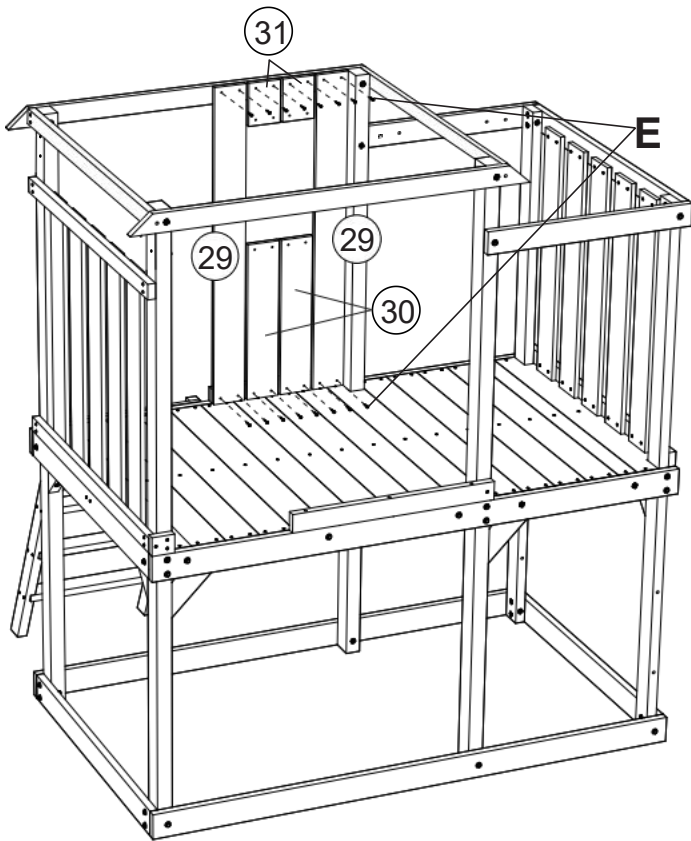
Step
Étape
Paso

30

E x 3



Step
Étape
Paso
31

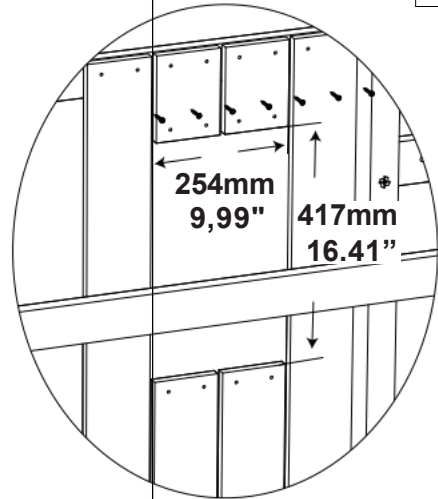


②9 x 2

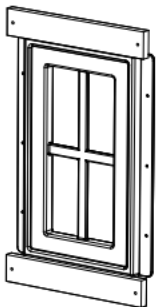
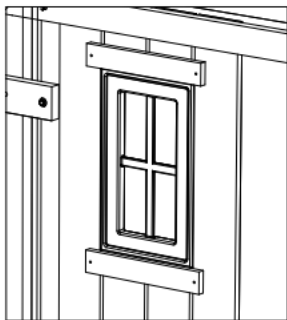
③0 x 2

③1 x 2

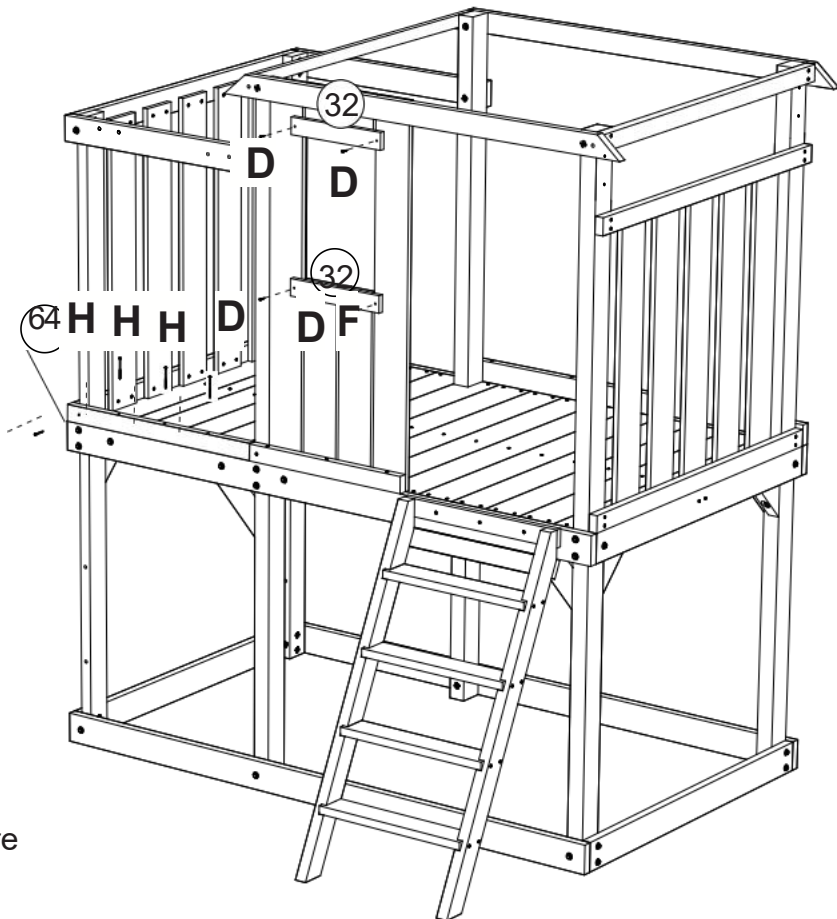
Ⓔ x 16



Step
Étape
Paso
32



Aligner avec la fenêtre



③2 x 2

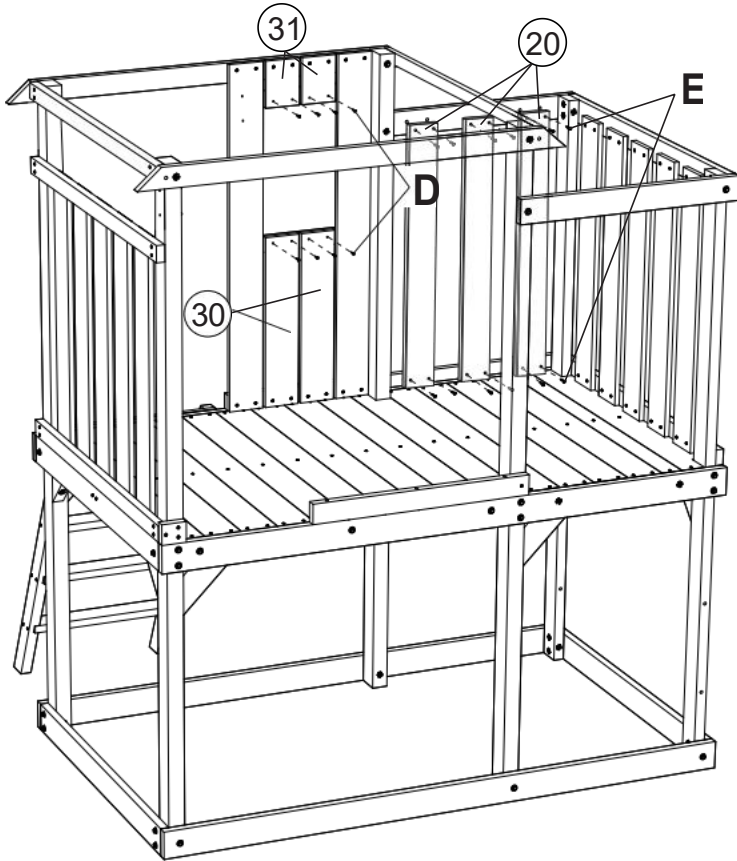
⑥4 x 1

Ⓓ x 4

Ⓕ x 1

Ⓗ x 3

Step
Étape
Paso
33

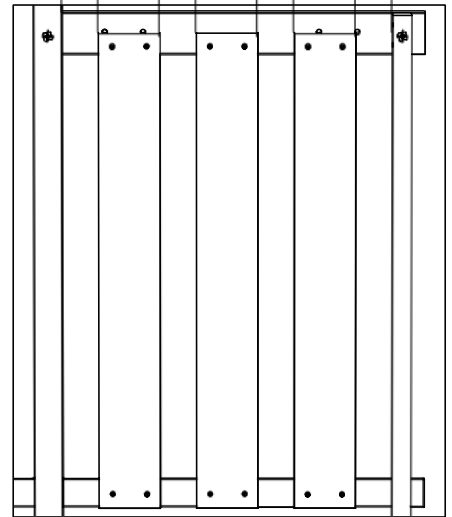


⓪ x 3

ⓓ x 8

ⓔ x 12

69.5mm 69.5mm 69.5mm 69.5mm
2.73" 2.73" 2.73" 2.73"



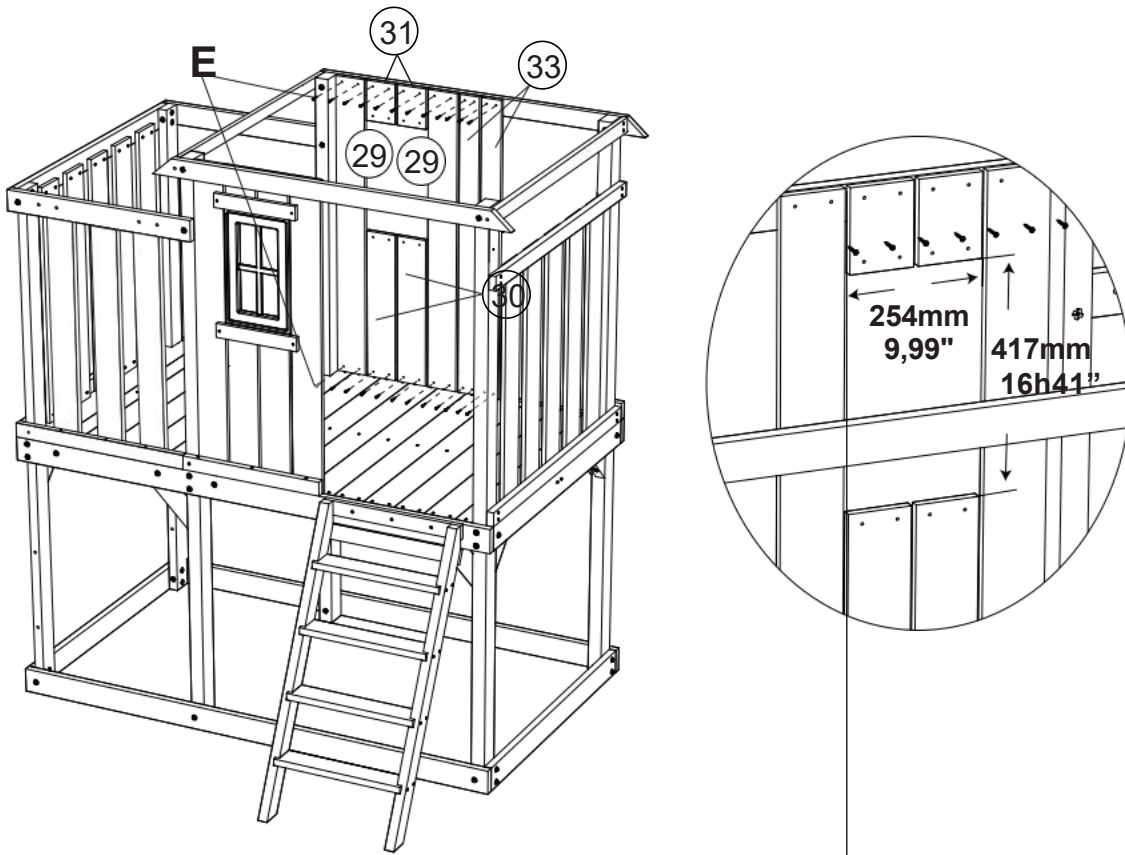
Step
Étape
Paso
34



ⓈⓈ x 1

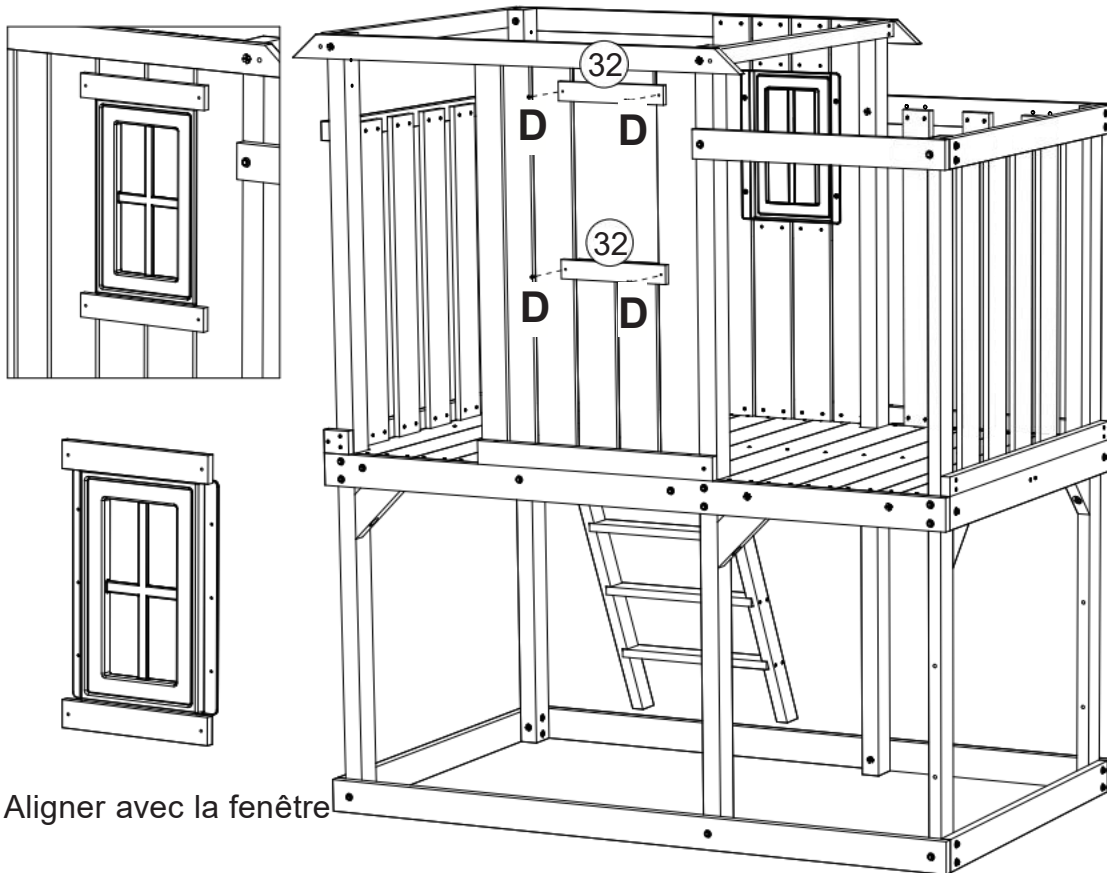
Ⓐ x

Step
Étape
Paso
35



- Ⓣ 29 x 2
- Ⓣ 30 x 2
- Ⓣ 31 x 2
- Ⓣ 33 x 2
- Ⓣ E x 24

Step
Étape
Paso
36



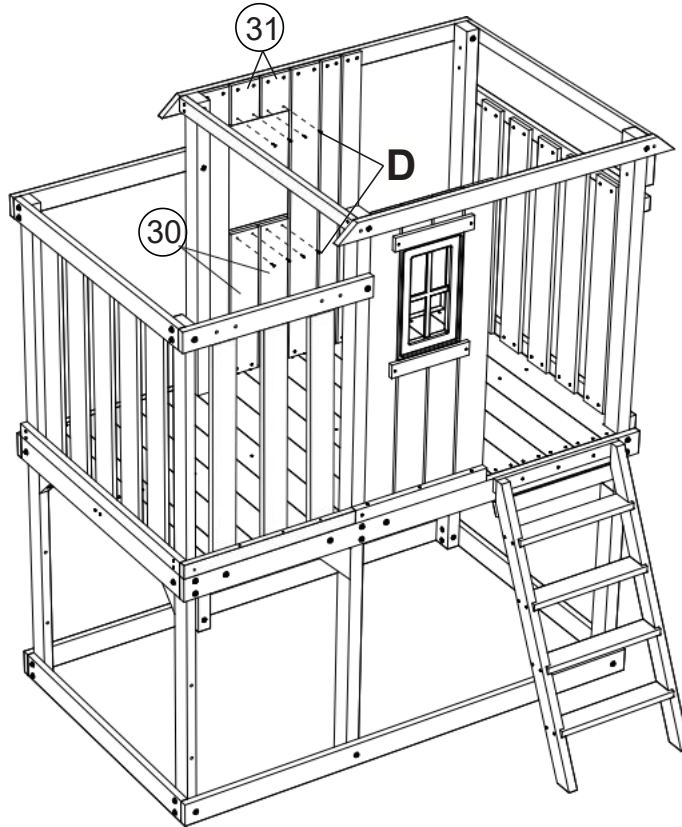
- Ⓣ 32 x 2
- Ⓣ D x 4

Aligner avec la fenêtre

ⓓ x 8

Step
Étape
Paso

37



Step
Étape
Paso

38

ⓖ x 1

Ⓐ x 6



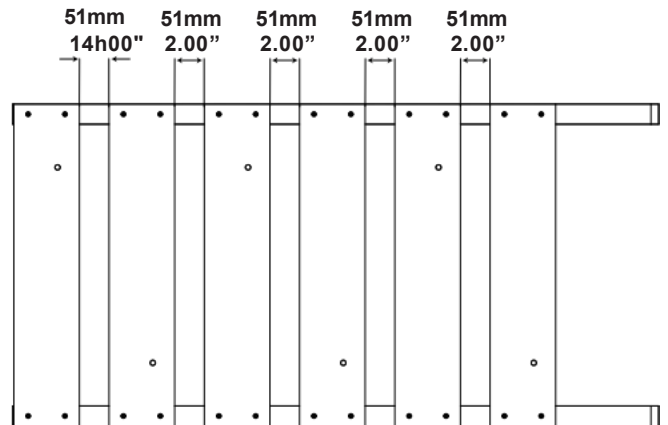
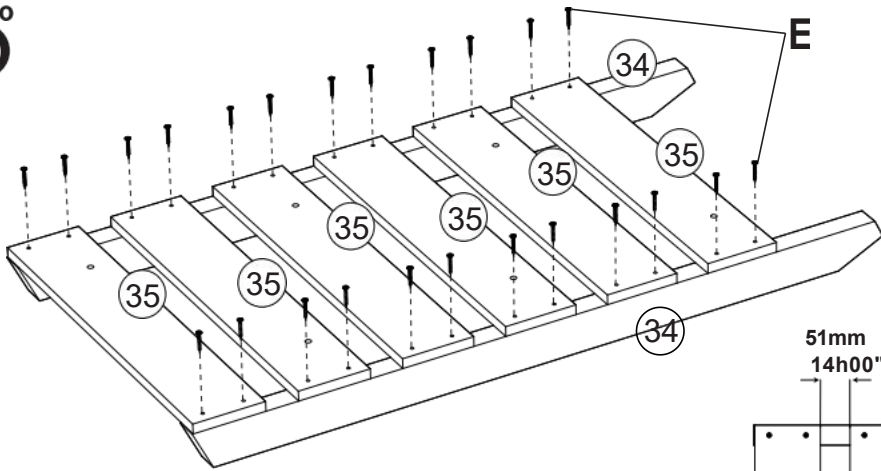
Step
Étape
Paso

39

34 x 2

35 x 6

E x 24

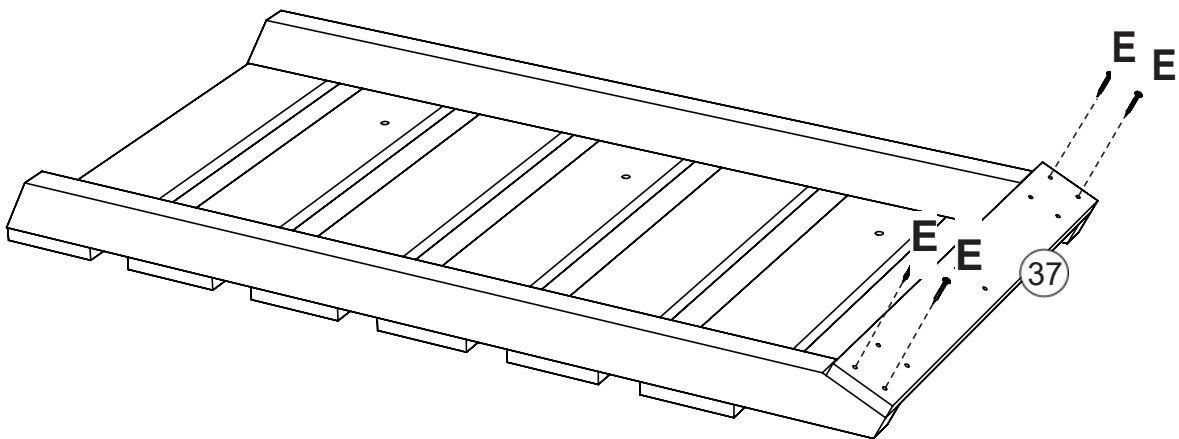


Step
Étape
Paso

40

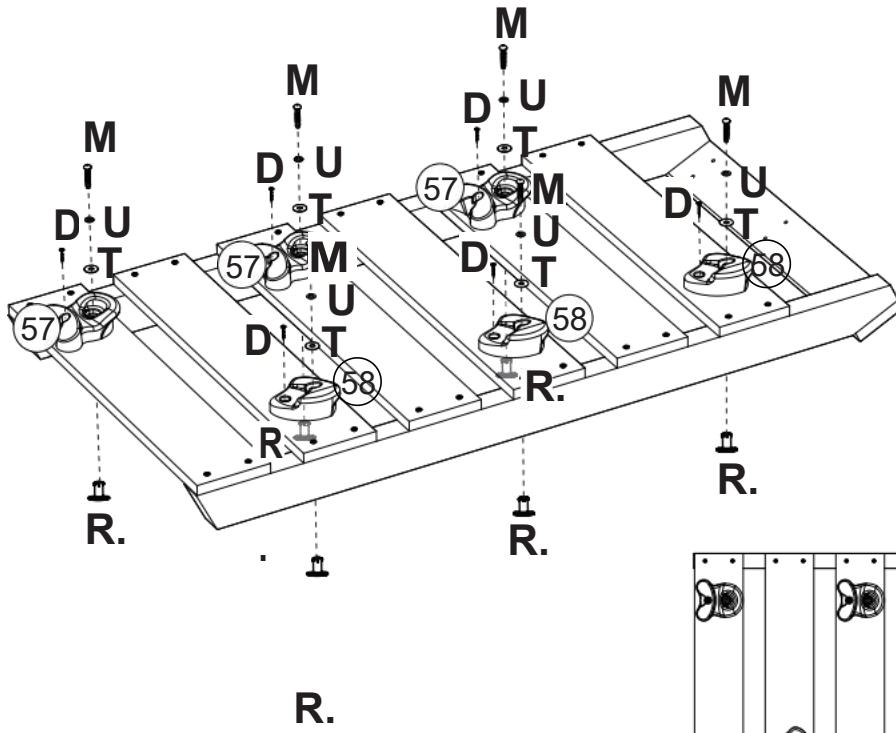
37 x 1

E x 4



Step
Étape
Paso

41



57 x 3

58 x 3

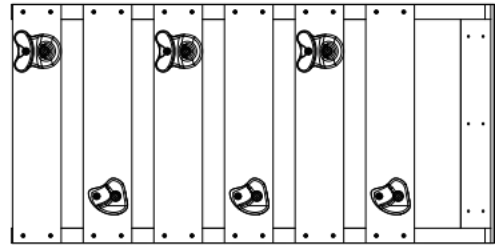
D x 6

M x 6

R x 6

T x 6

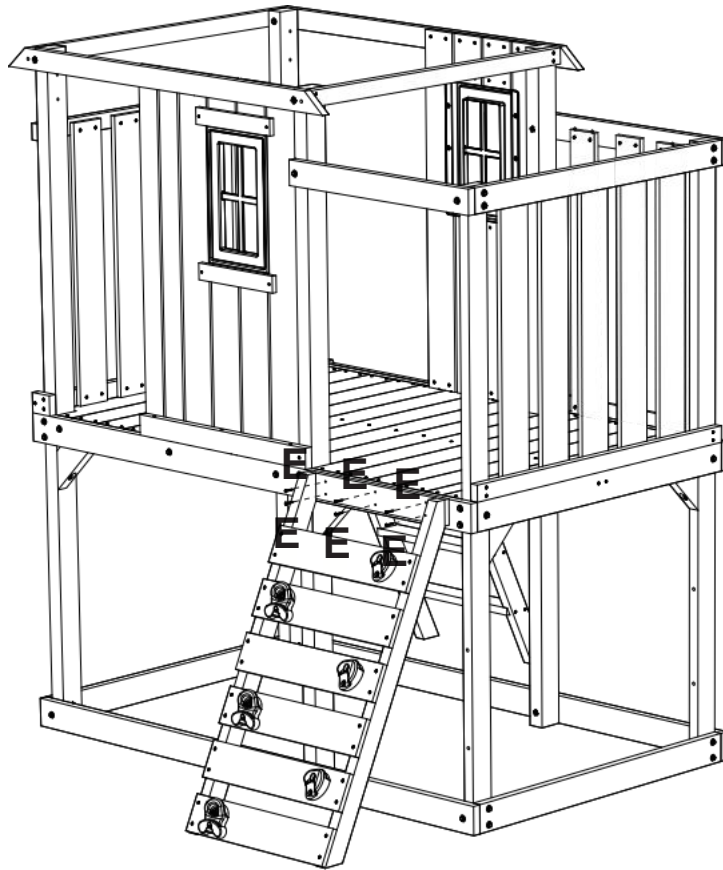
U x 6



E x 6

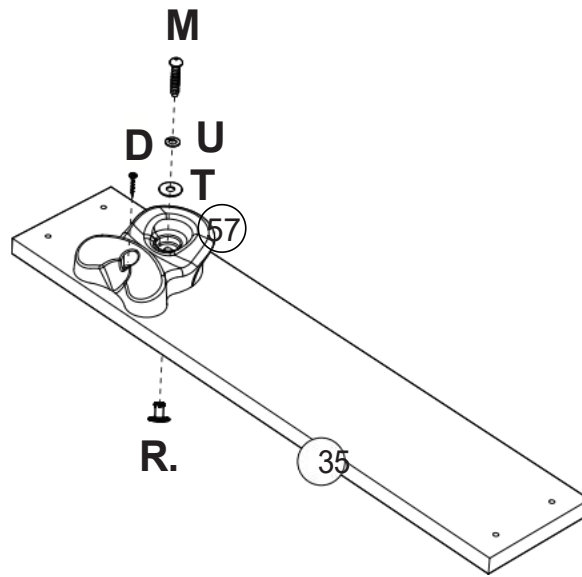
Step
Étape
Paso

42



Step
Étape
Paso

43



35 x 1

57 x 1

D x 1

M x 1

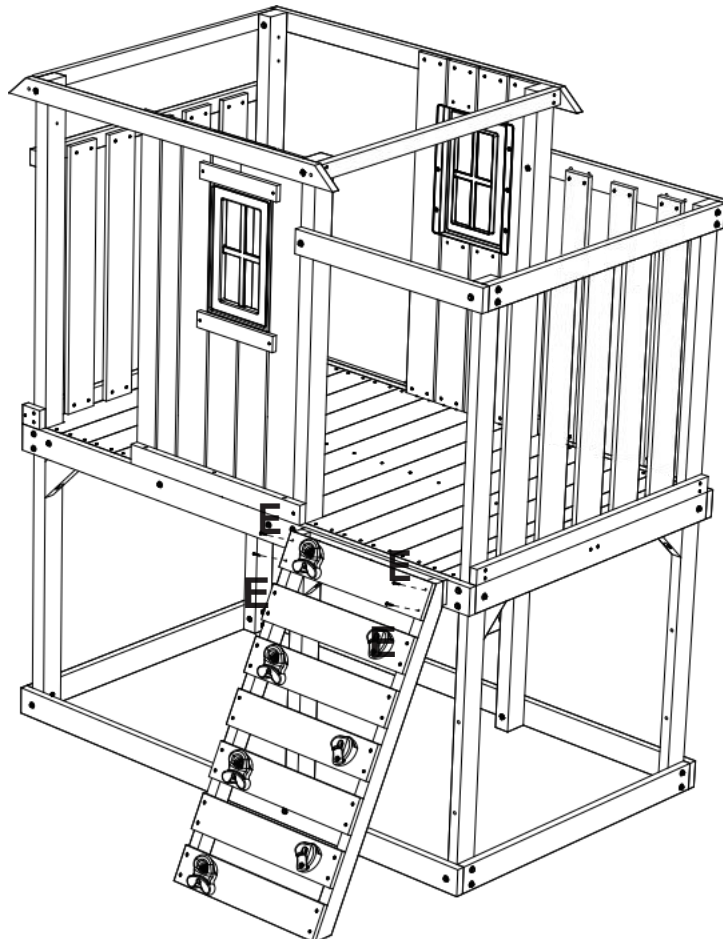
R x 1

T x 1

U x 1

Step
Étape
Paso

44



E x 4

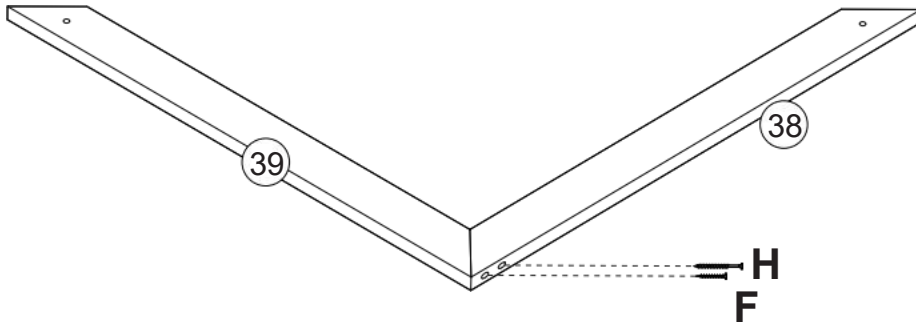
Step
Étape
Paso
45 x 2

38 x 1

39 x 1

F x 1

H x 1

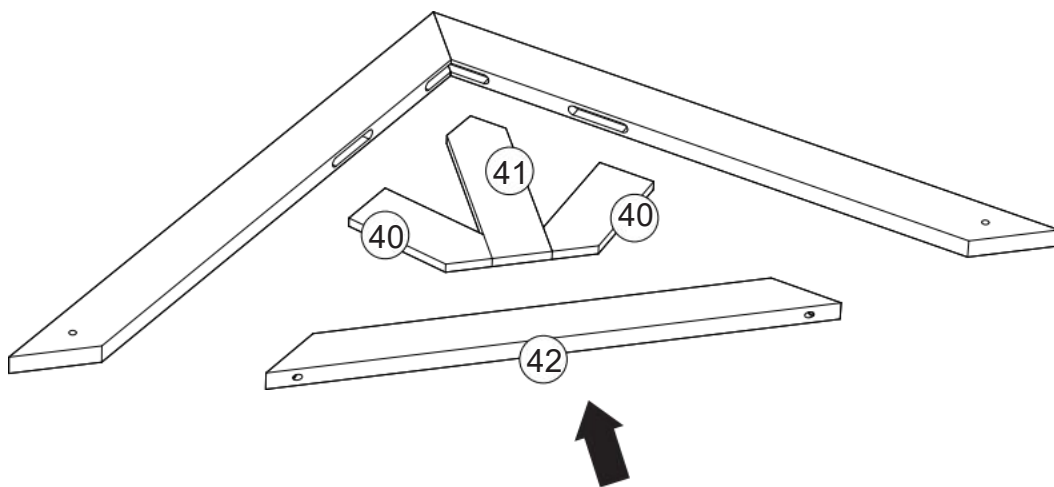


Step
Étape
Paso
46 x 2

40 x 2

41 x 1

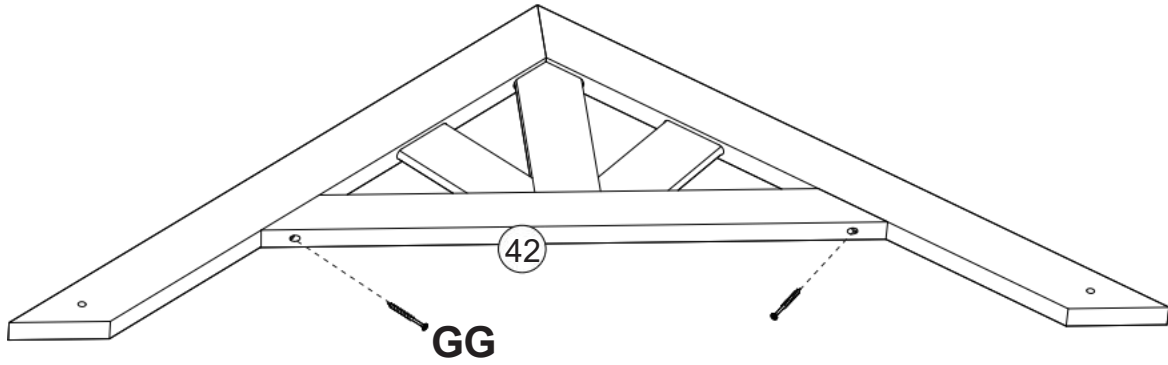
42 x 1



Step
Étape
Paso
47 x 2

42 x 1

G x 2

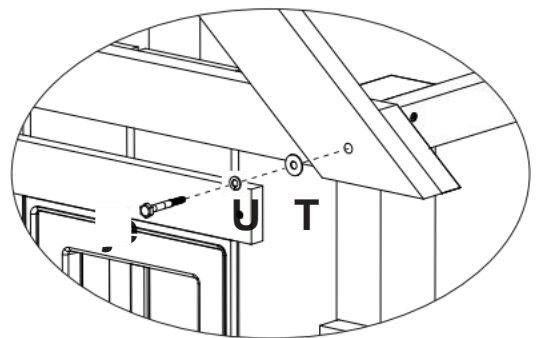
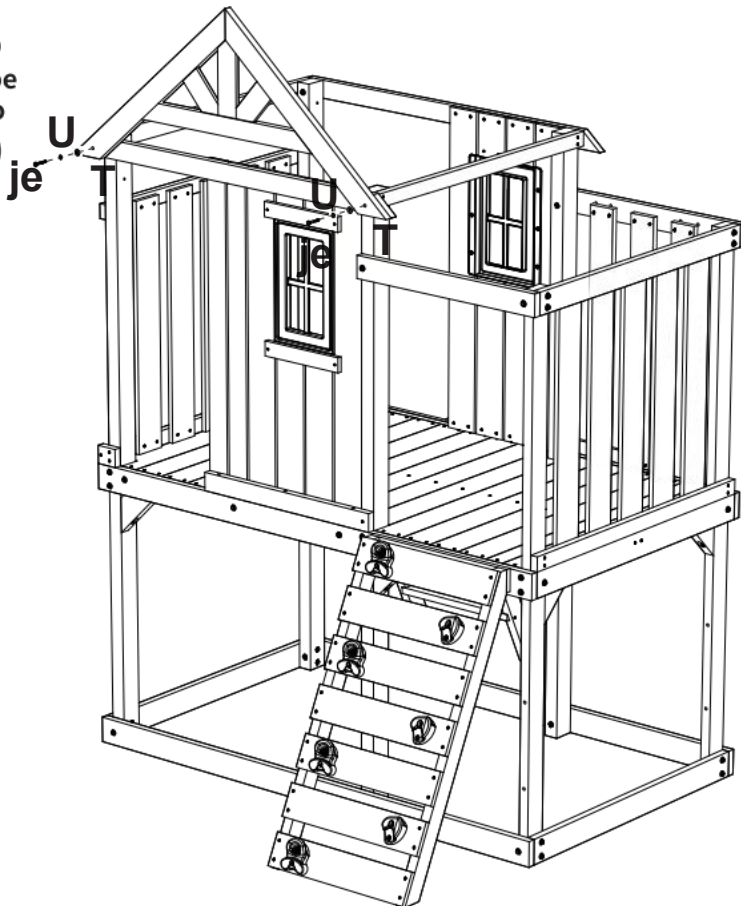


Step
Étape
Paso
48

je x 2

T x 2

U x 2



Step
Étape
Paso

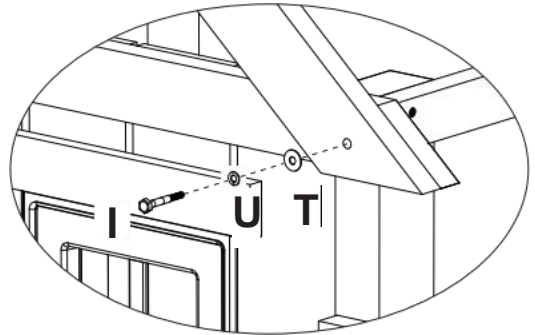
49



Ⓜ je x 2

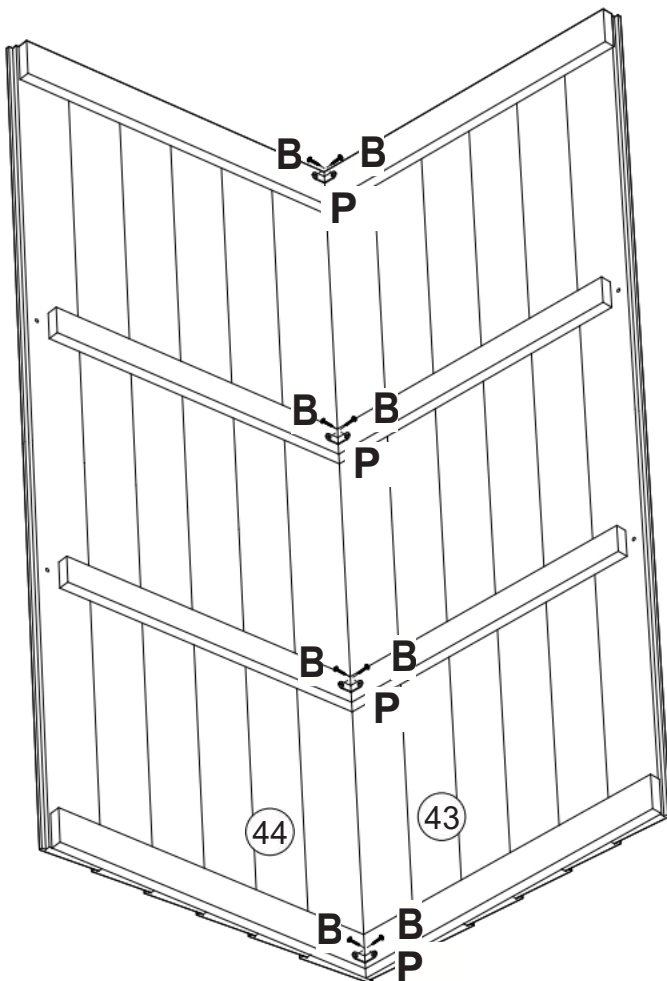
Ⓜ T x 2

Ⓜ U x 2



Step
Étape
Paso

50

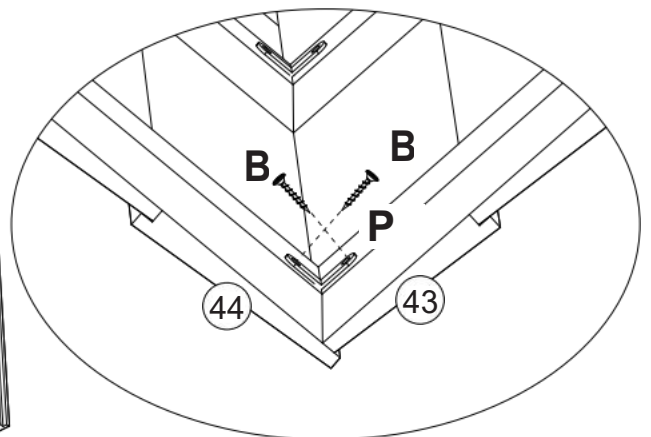


Ⓜ 43 x 1

Ⓜ 44 x 1

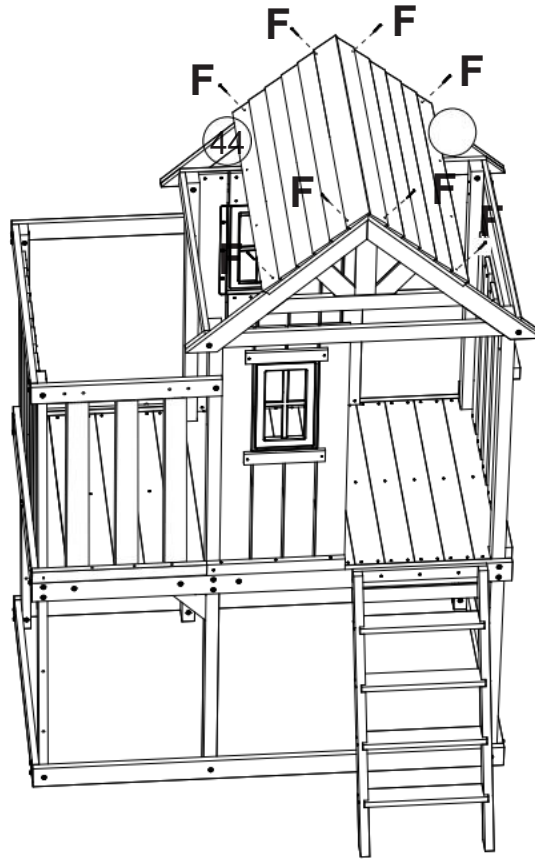
Ⓜ B x 8

Ⓜ P x 4



Step
Étape
Paso

51



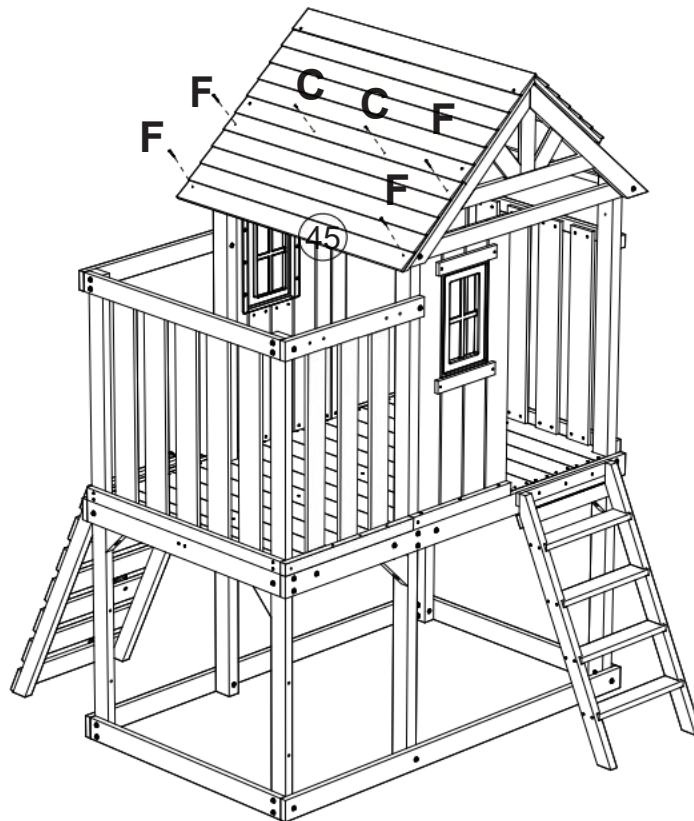
43 x 1

44 x 1

F x 8

Step
Étape
Paso

52



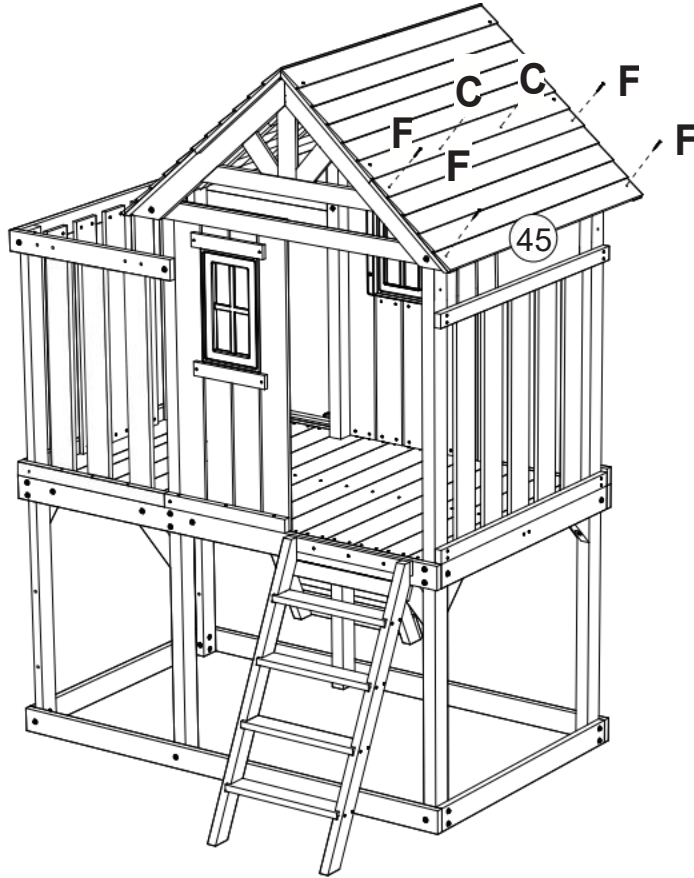
45 x 1

C x 2

F x 4

Step
Étape
Paso

53



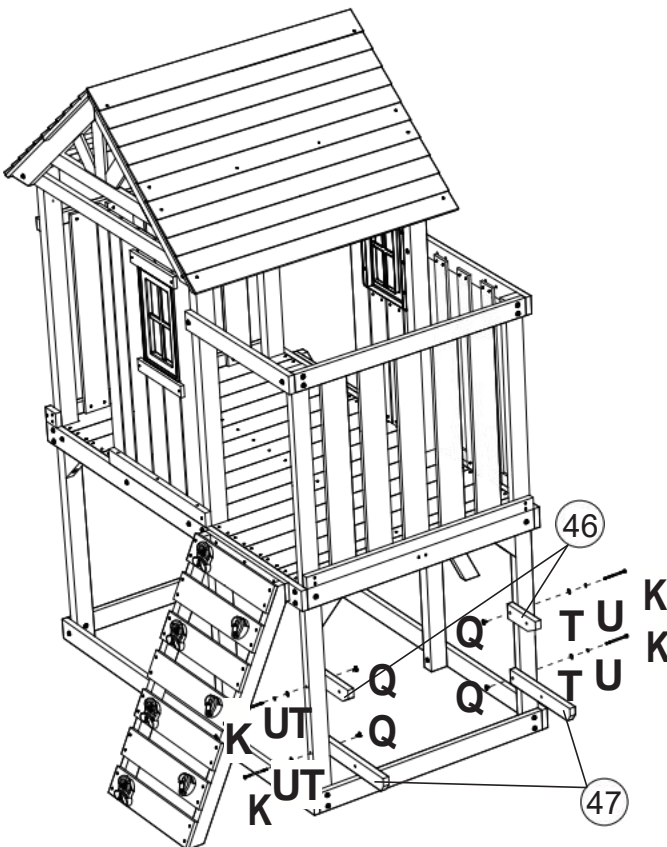
45 x 1

C x 2

F x 4

Step
Étape
Paso

54



46 x 2

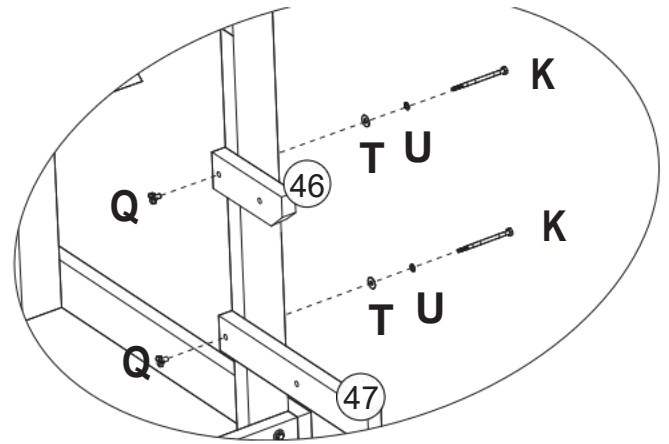
47 x 2

K x 4

Q x 4

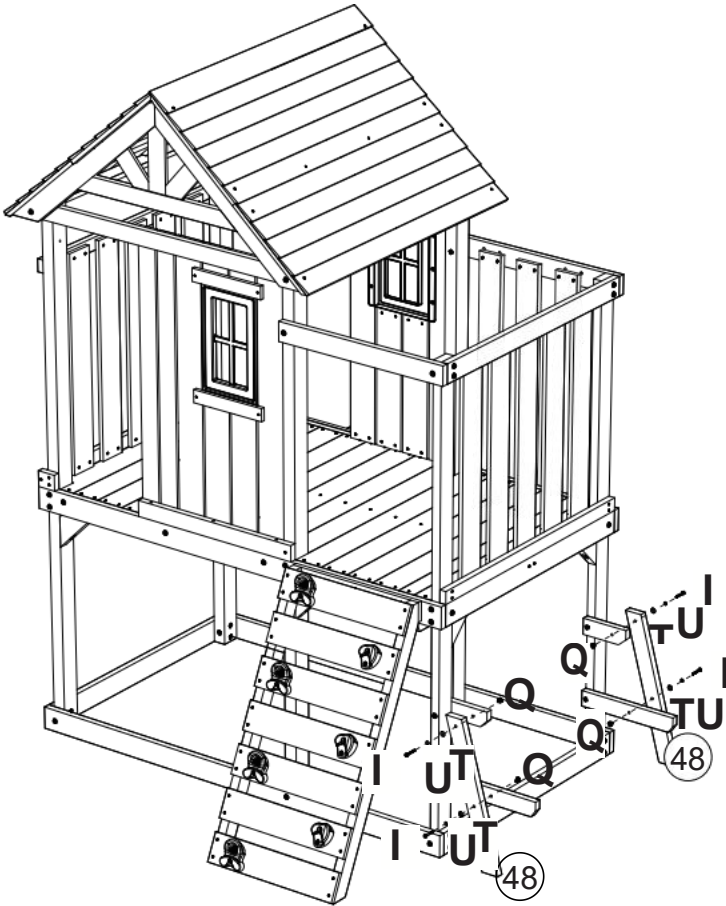
T x 4

U x 4



Step
Étape
Paso

55



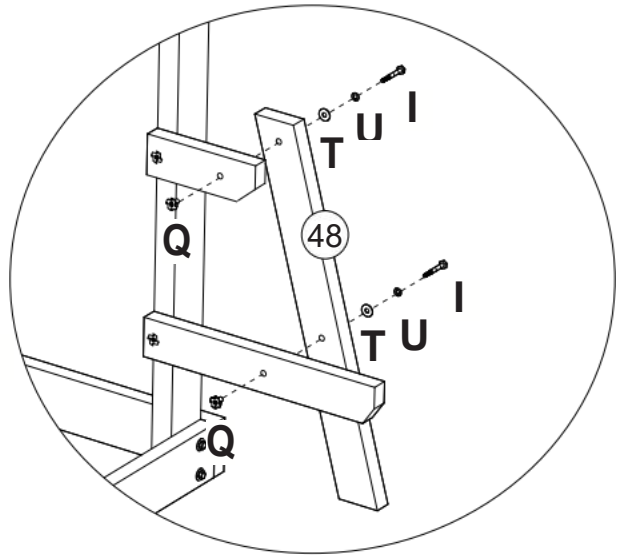
48 x 2

je x 4

Q x 4

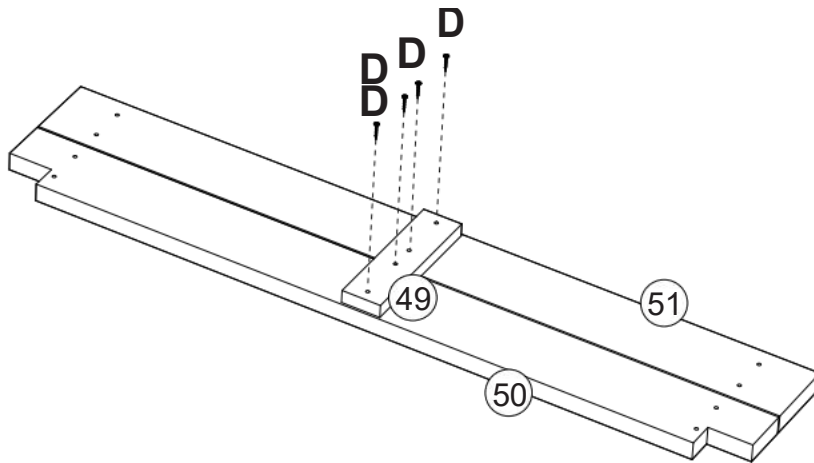
T x 4

U x 4



Step
Étape
Paso

56



49 x 1

50 x 1

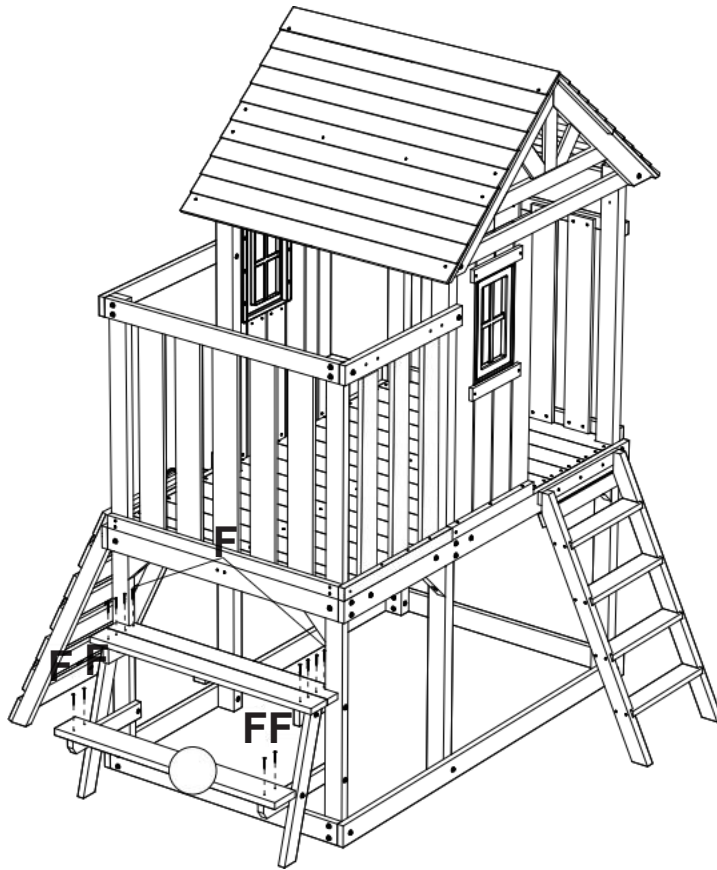
51 x 1

D x 4



Step
Étape
Paso

57

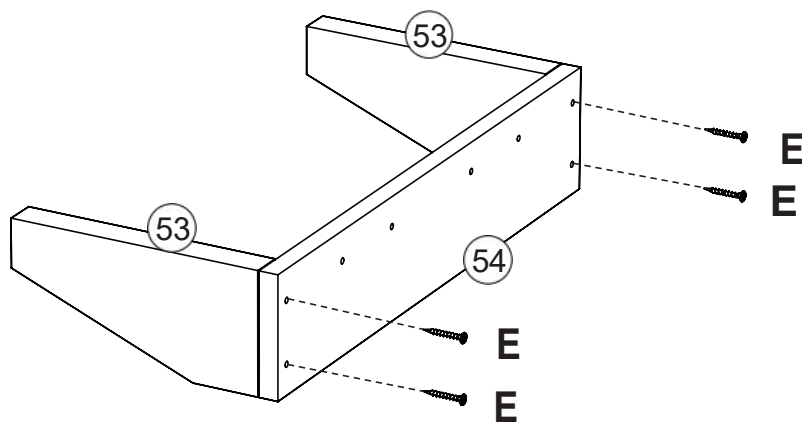


52 x 1

F x 12

Step
Étape
Paso

58



53 x 2

54 x 1

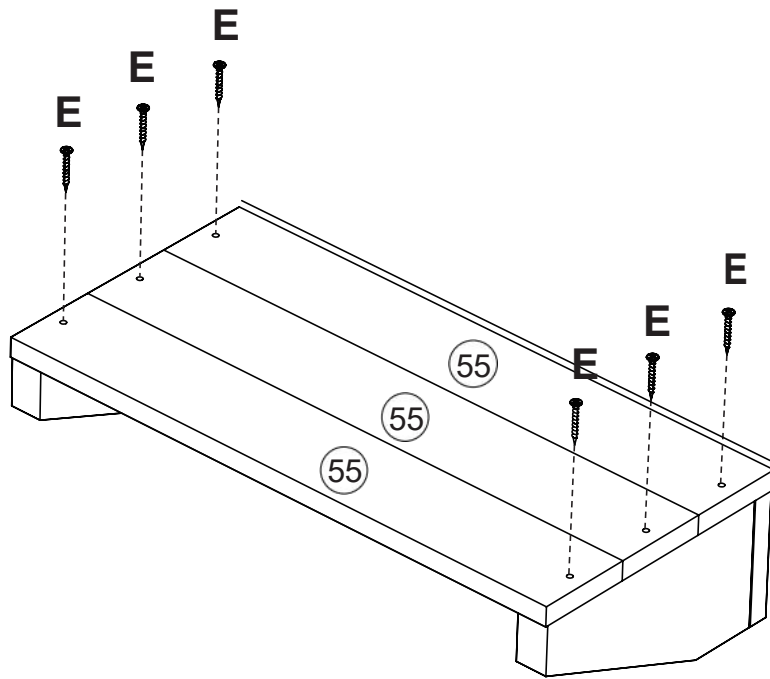
E x 4

Step
Étape
Paso

59

55 x 3

E x 6

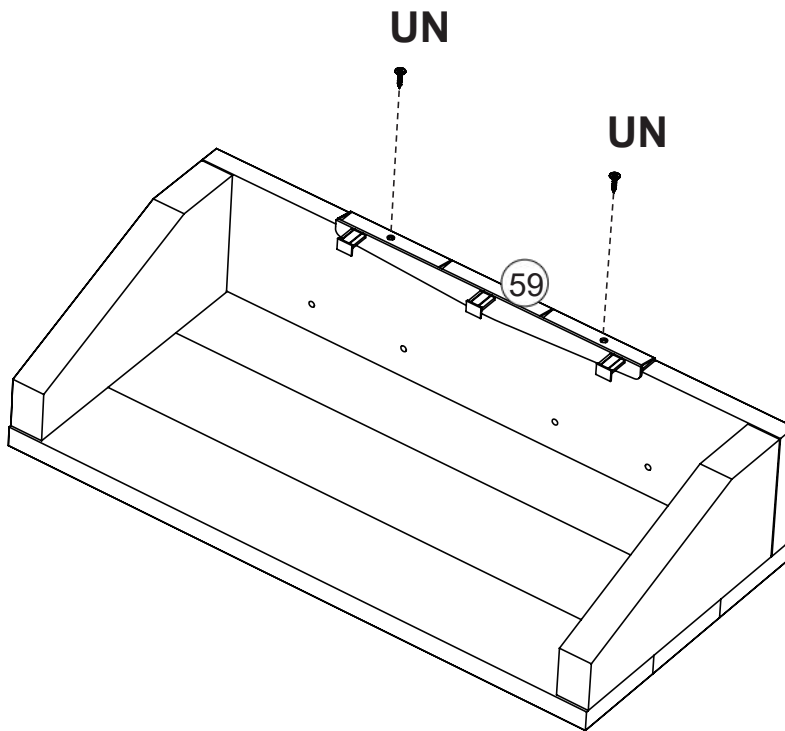


Step
Étape
Paso

60

59 x 1

A x 2



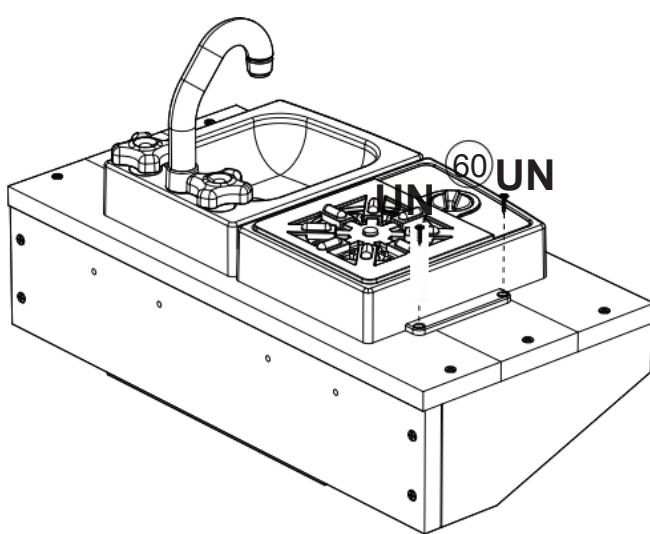
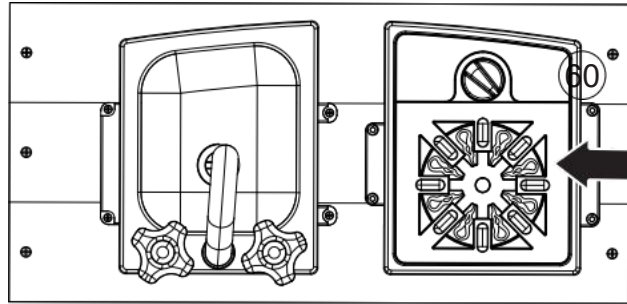
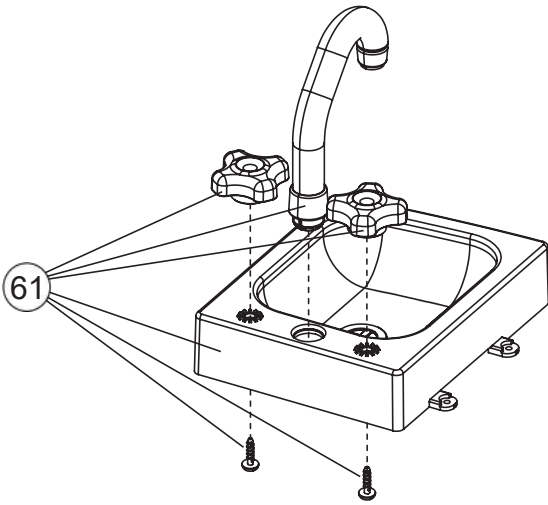
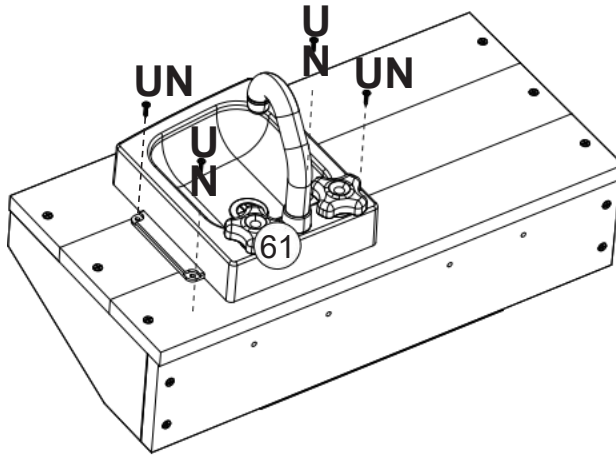
Step
Étape
Paso

61

60 x 1

61 x 1

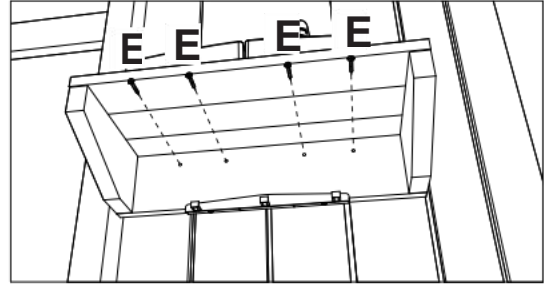
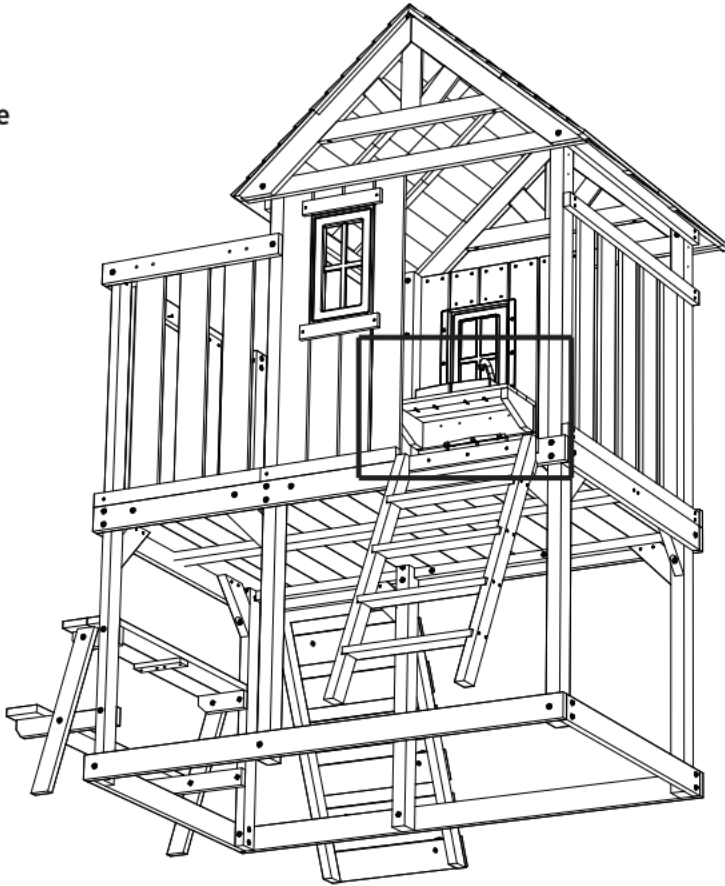
A x 6



Ⓔ x 4

Step
Étape
Paso

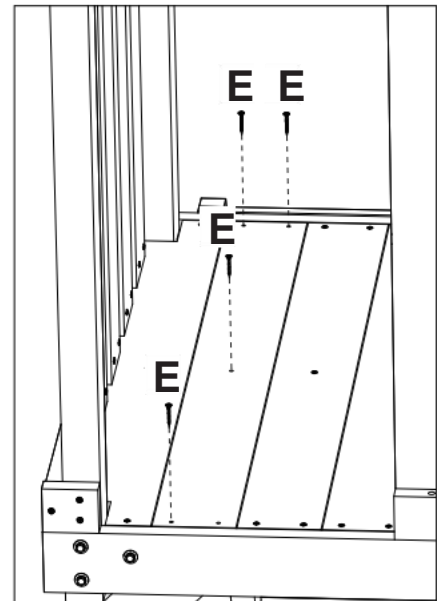
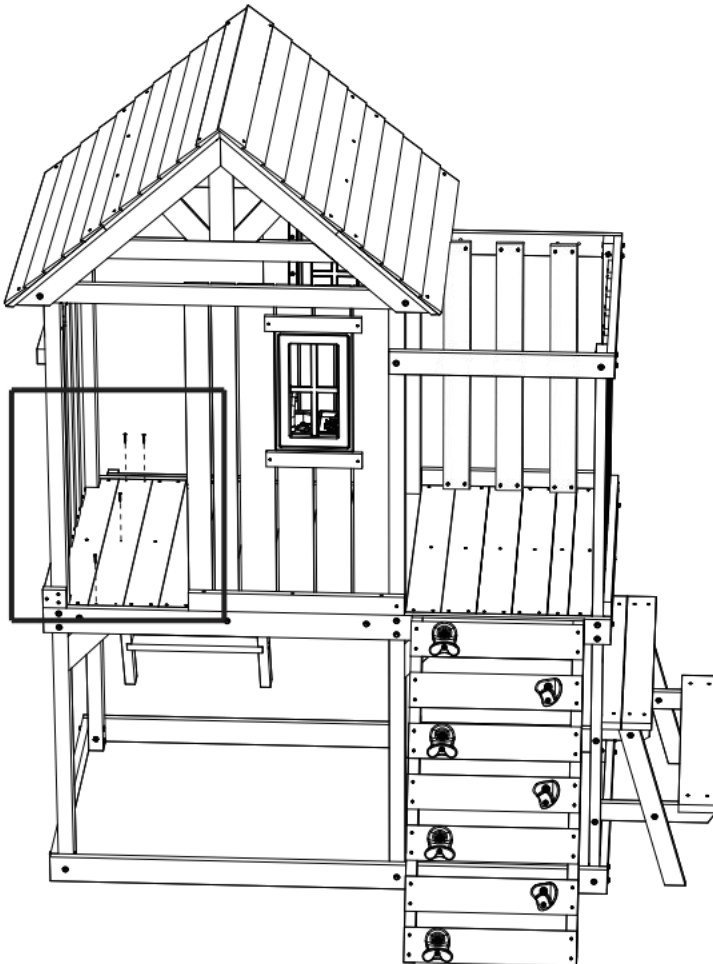
62



Ⓔ x 4

Step
Étape
Paso

63



Step
Étape
Paso

64



62 x 1

F x 2

S x 2

Step
Étape
Paso

65

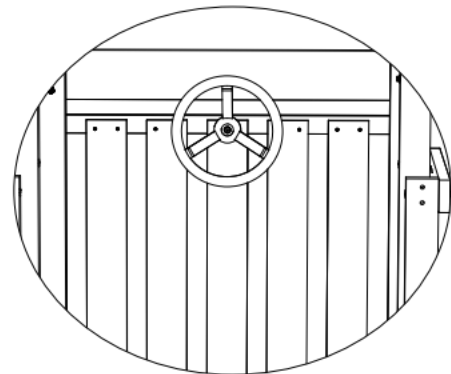
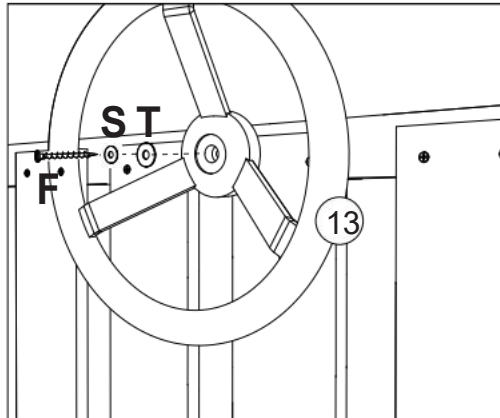


13 x 1

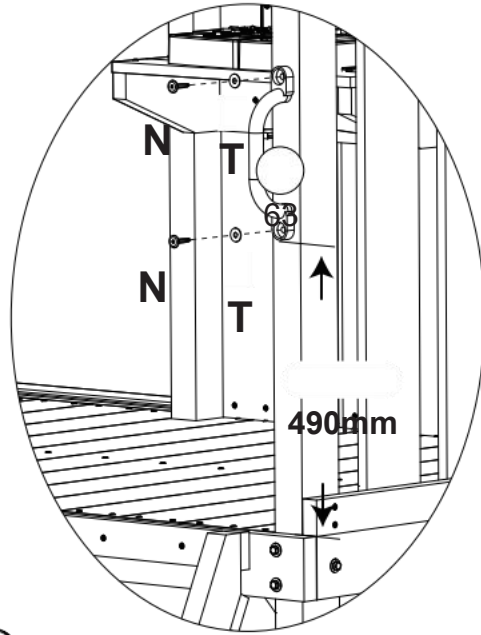
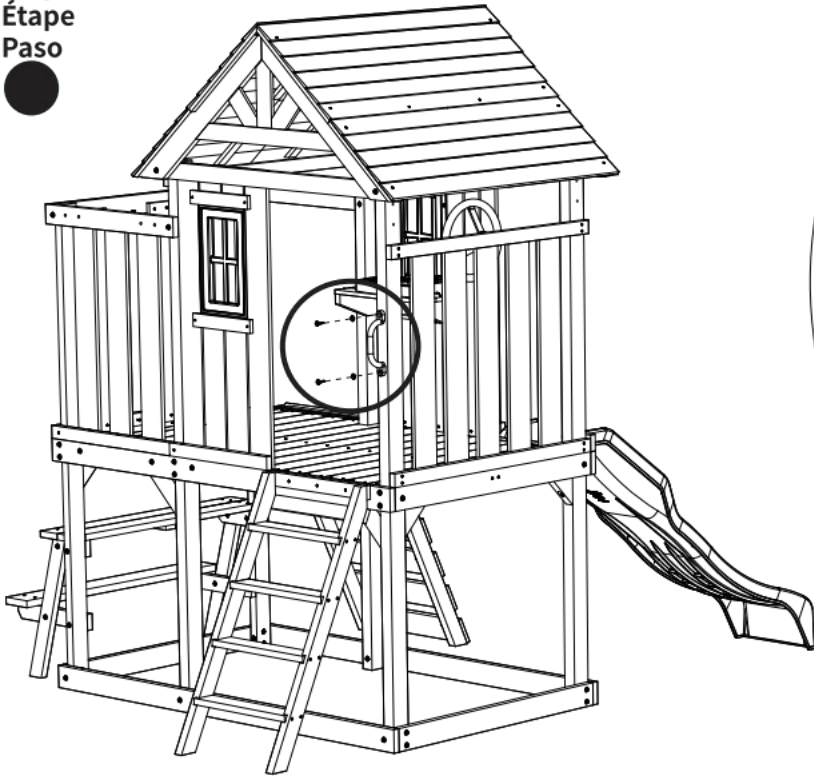
F x 1

S x 1

T x 1



Step
Étape
Paso

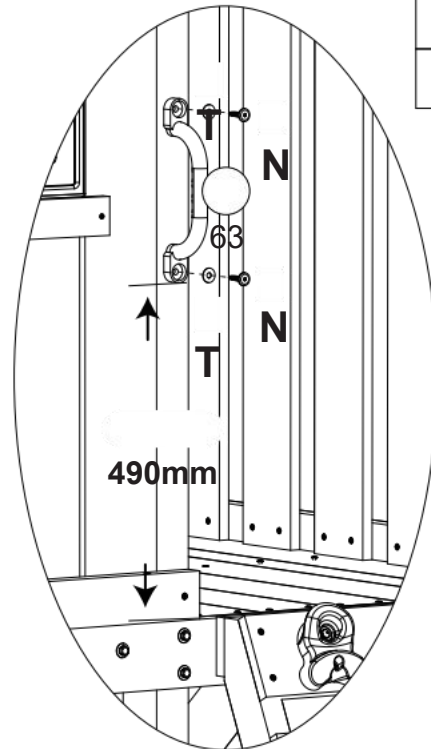


63X

1 N x

2
T x 2

Step
Étape
Paso



○

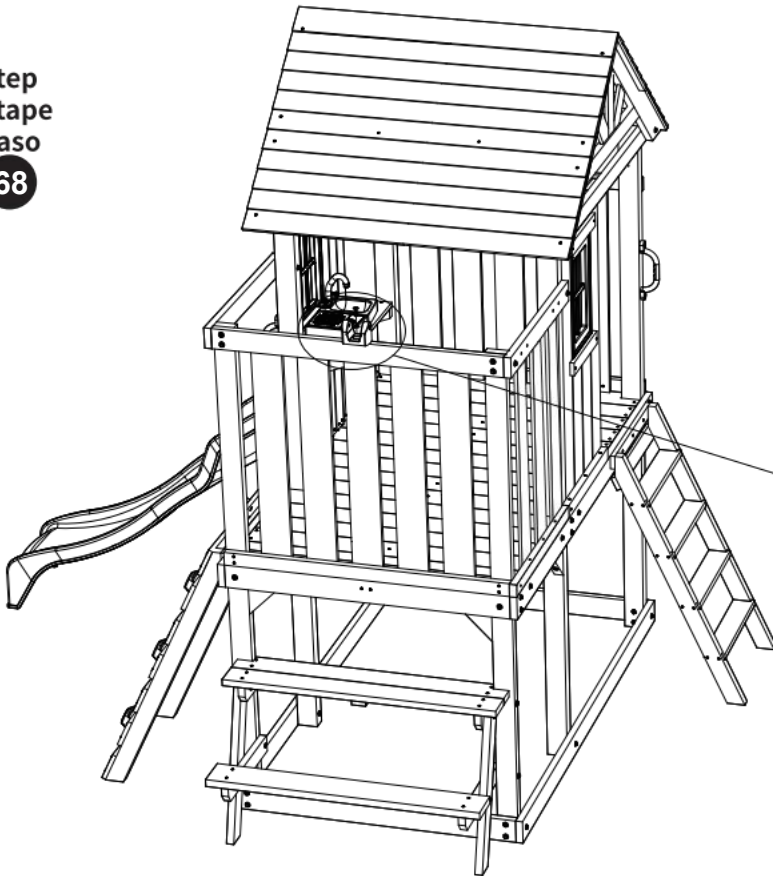
63 x 1

N x 2

T x 2

Step
Étape
Paso

68

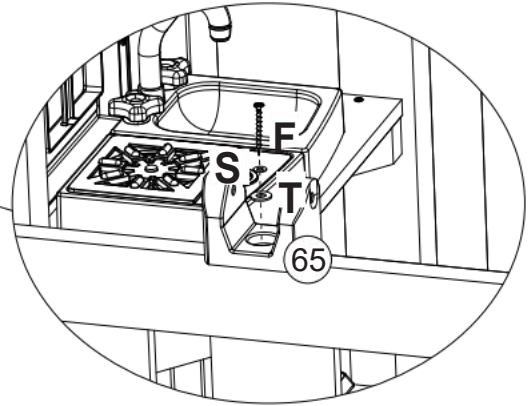


65 x 1

F x 1

S x 1

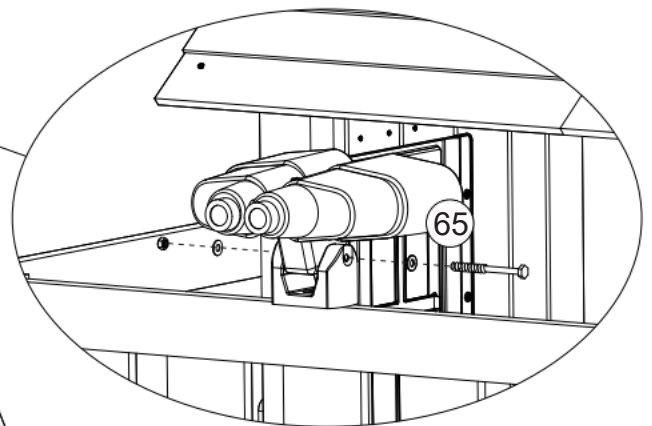
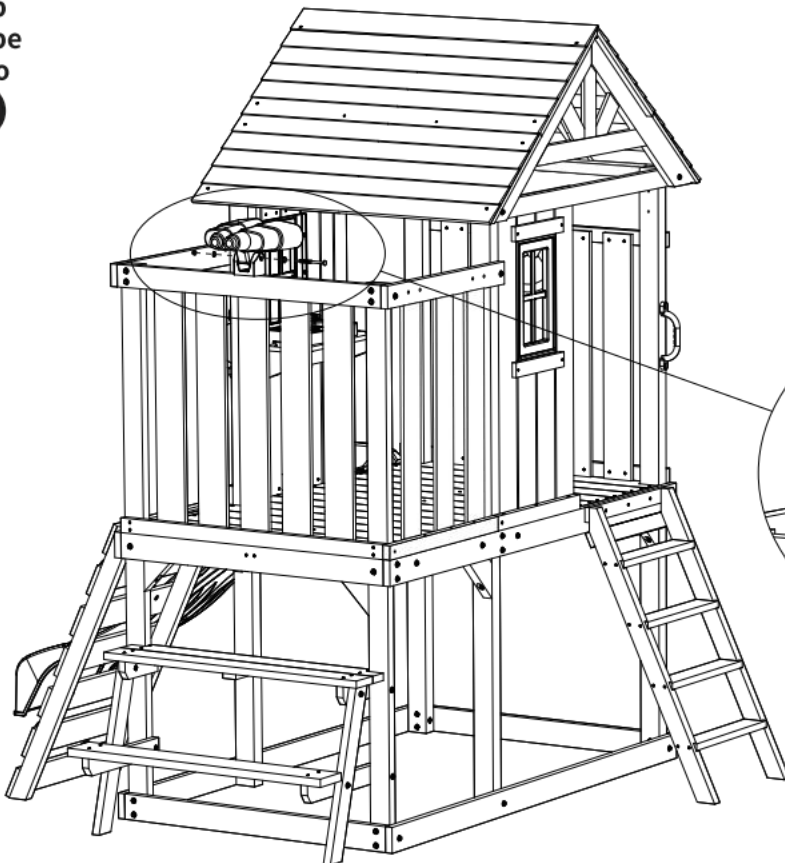
T x 1



65 x 1

Step
Étape
Paso

69



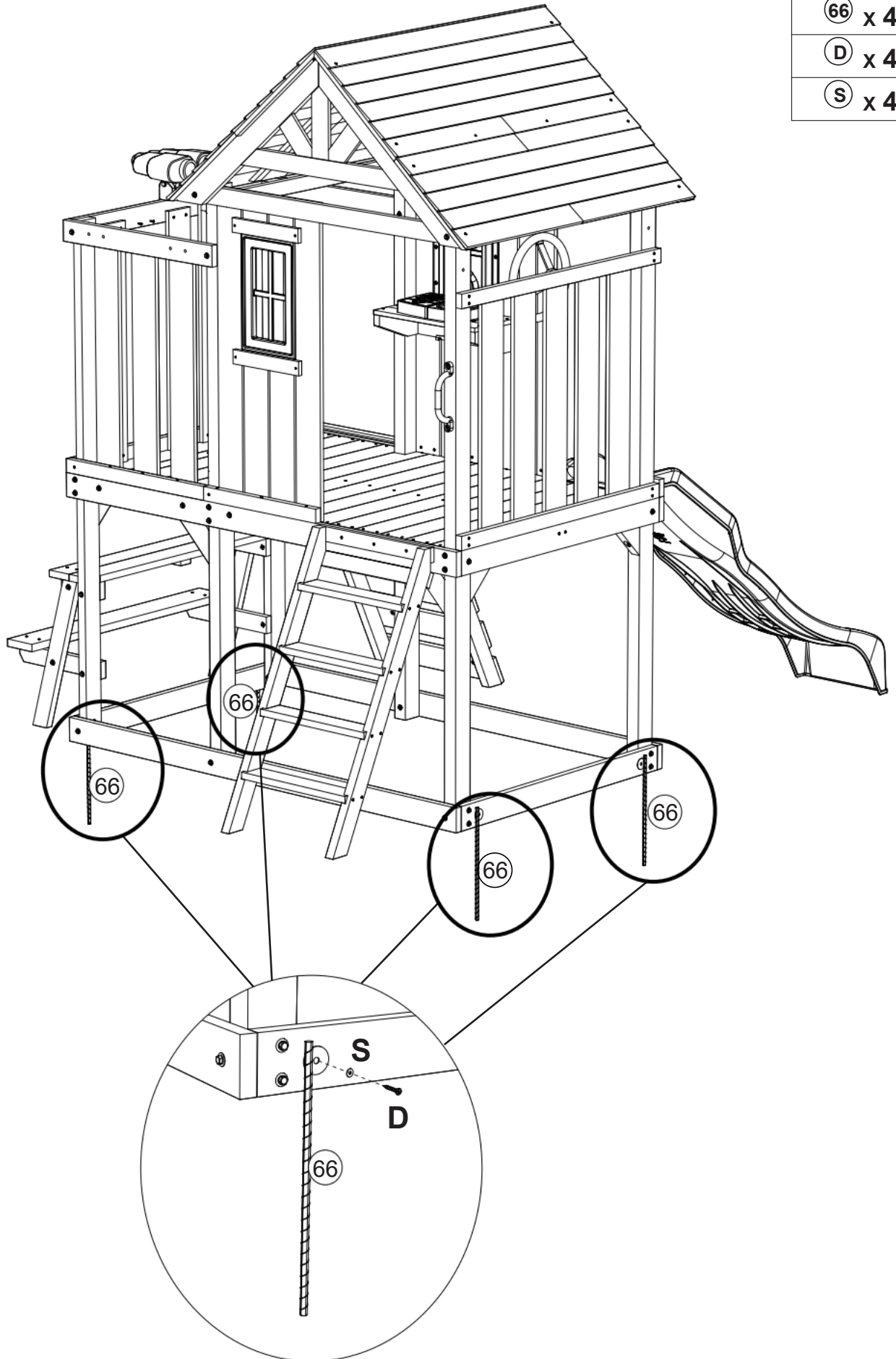
Step
Étape
Paso

70

66 x 4

D x 4

S x 4



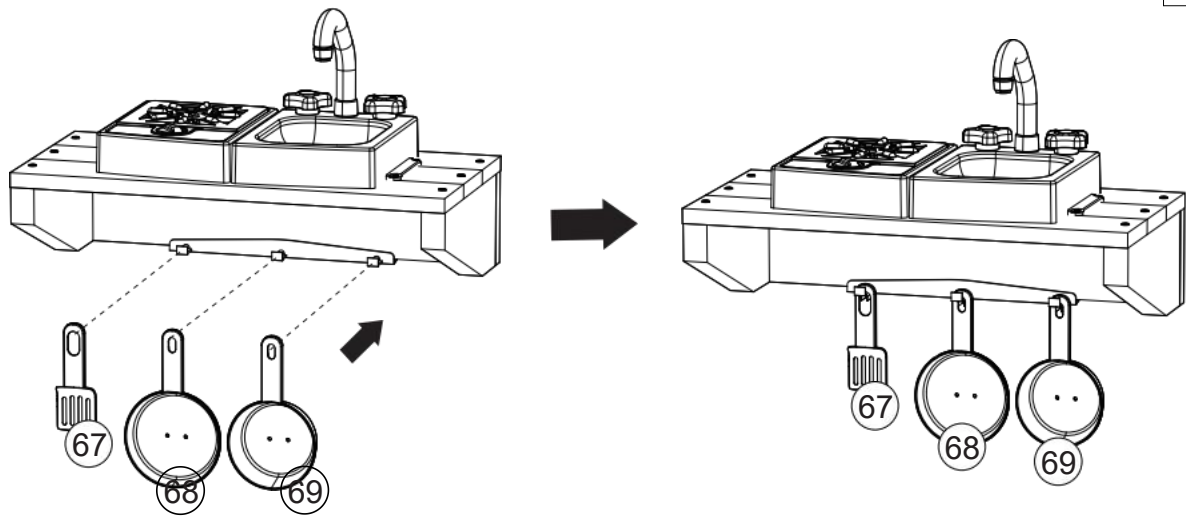
Step
Étape
Paso

71

67 x 1

68 x 1

69 x 1



MAINTENANCE

1. Clean and disinfect your product frequently to keep it clean and hygienic.
2. Check the reliability of the parts before use.

Manufacturer: Heze Jingran Woodware Co., Ltd.

Address: Zhuangzhai Town Industrial Park, Cao County, Shandong Province

EC REP: E-CrossStu GmbH.

Mainzer Landstr.69, 60329 Frankfurt am Main.

UK REP: YH CONSULTING LIMITED.

C/O YH Consulting Limited Office 147, Centurion House, London Road, Staines-upon-Thames, Surrey, TW18 4AX

Imported to AUS: SIHAO PTY LTD.

1 ROKEVA STREETEASTWOOD NSW 2122 Australia

Imported to USA: Sanven Technology Ltd.

Suite 250, 9166 Anaheim Place, Rancho Cucamonga, CA 91730

VEVOR®

OUTILS DUR, DEMI PRIX

**Assistance technique et Certificat de
garantie électronique
www.vevor.com/support**

VEVOR^R

TOUGH TOOLS. HALF PRICE

Technische ondersteuning en E-garantiecertificaat

www.vevor.com/support

CABINE SPEELHUIS

MODEL:TLG92008

Wij blijven ons inzetten om u te voorzien hulpmiddelen met competitief prijs.

"Redden Half", "Halve prijs" of andere soortgelijke uitdrukkingen gebruikt door wij alleen vertegenwoordigt een schatting van de besparingen die u mogelijk kunt profiteren door te kopen zeker hulpmiddelen met ons vergeleken naar de belangrijk bovenkant merken en doet niet noodzakelijkerwijs bedoeld om alles te dekken categorieën van gereedschappen aangeboden door wij.Jij

Zijn vriendelijk herinnerd om zorgvuldig te verifiëren wanneer u dat bent een bestelling plaatsen bij ons als je bent

daadwerkelijk besparen de helft in vergelijking met de topmajor merken.

VEVOR^R

TOUGH TOOLS, HALF PRICE

CABIN PLAYHOUSE

MODEL: TLG92008



NEED HELP? CONTACT US!

Hebben productvragen? Technische behoefte ondersteuning?
Gemakkelijk gevoel vrij naar contact ons:

Technisch Steun En E-garantie Certificaat
www.vevor.com/support

Dit is de originele instructie, alstublieft lezen alle handmatig instructies zorgvuldig voordat u gaat werken. VEVOR behoudt zich een duidelijke verklaring voor interpretatie van ons gebruikershandleiding. Het uiterlijk van de Product zullen zijn onderwerp naar de product dat u heeft ontvangen. Vergeef ons alstublieft dat dit niet het geval is informeren Jij opnieuw als er zijn er technologie of software

updates op ons Product.

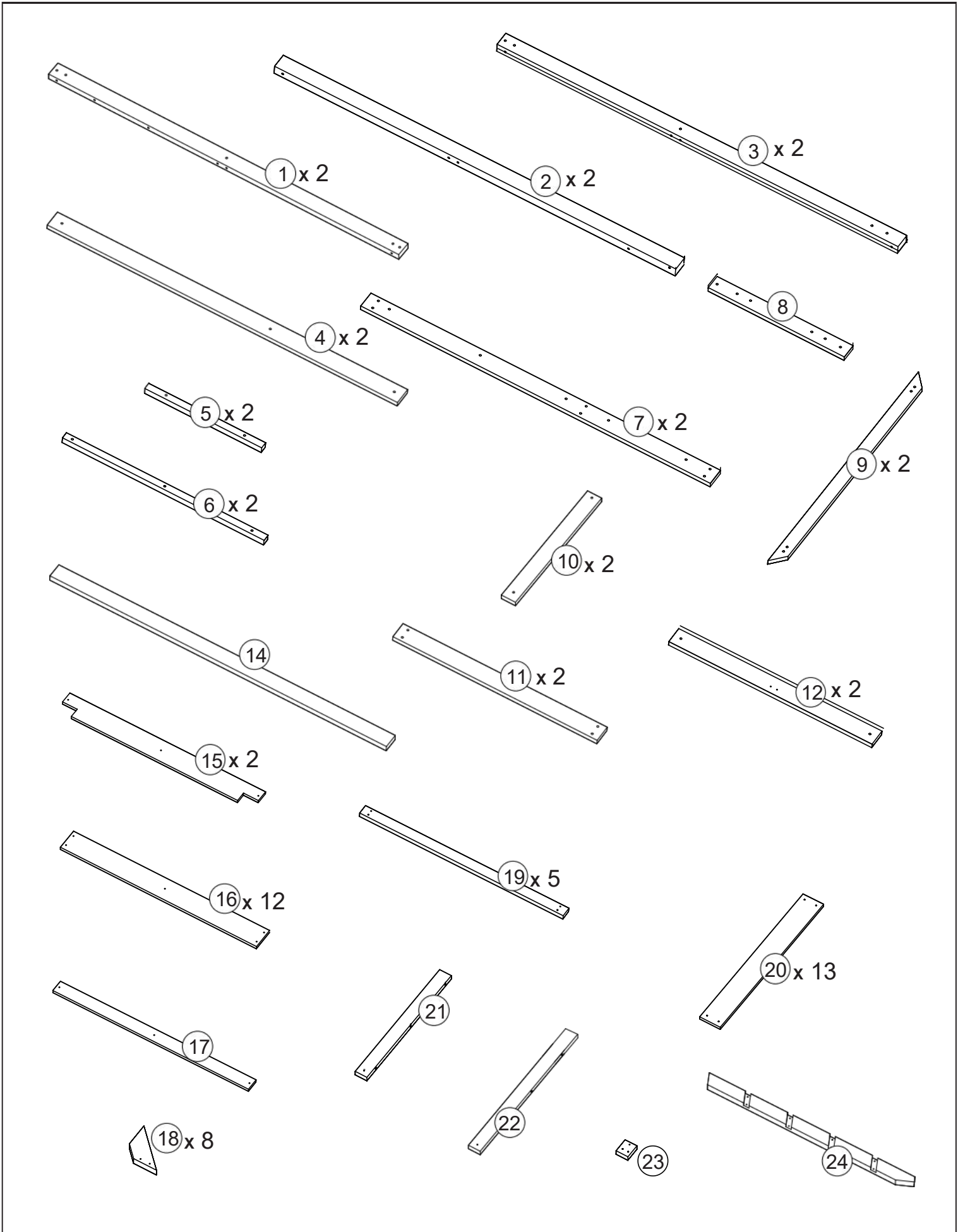
SAFETY INSTRUCTIONS

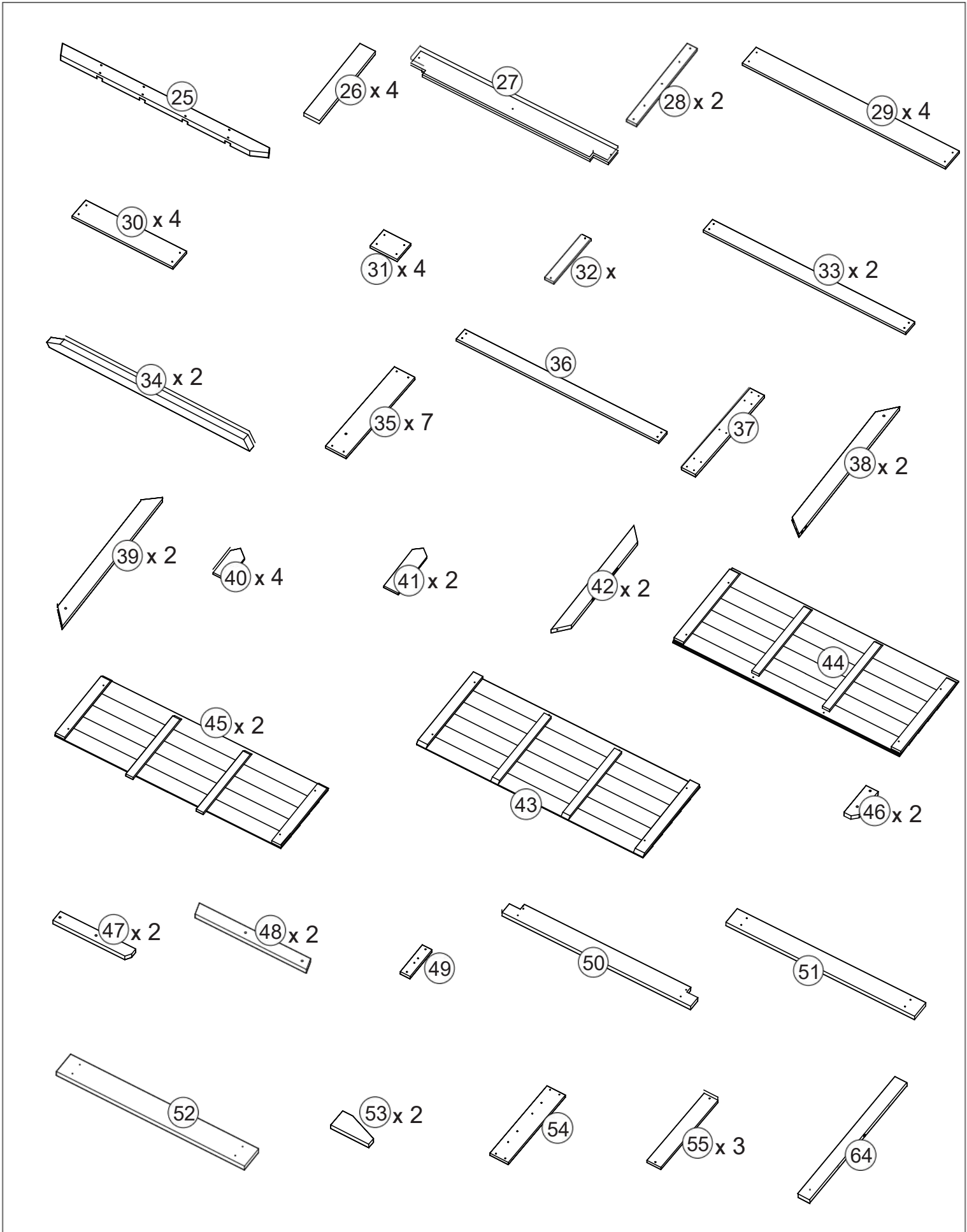
WARNING:

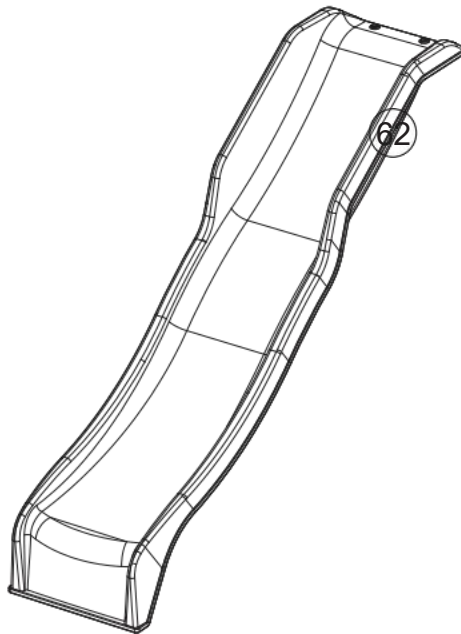
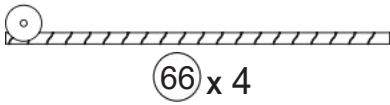
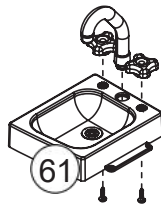
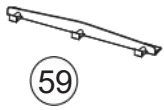
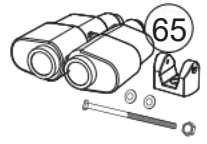
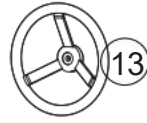
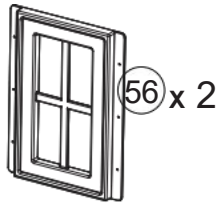
1. This manual lists the contents included in the box. Please take time to identify the hardware as well as the individual components of the product.
2. As you unpack and prepare for assembly, place the contents on a carpeted or padded area to protect them from damage.
3. Small parts present in unassembled state. It's a choking hazard!
4. Please follow the assembly instructions closely. Improper assembly can result in personal or property damage.
5. Assembled by an adult. In the process of play, parents should always accompany the children's side.
6. Do not install it in a dark, damp place.
7. Put it in a place with good ventilation.
8. Clean and disinfect your product frequently to keep it clean and hygienic.
9. Do not overload.









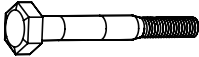
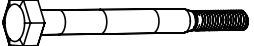
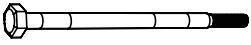
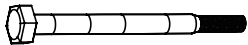

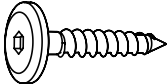
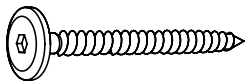

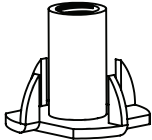
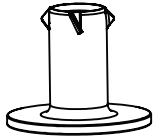
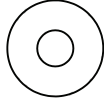
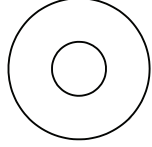
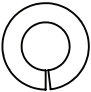
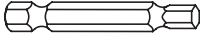
MODEL AND PARAMETERS

Model	TLG92008
Age of application	3-10 age
Product Size	2320*3100*2690mm
Material	Wood







A	x 20	B	x 8	C	x 4	D	x 39	E	x 222
									
15 mm		20 mm		20 mm		25 mm		35 mm	
F x 76	G	x 20	H x 15	I x 8	J	x 20			
									
45 mm		60 mm		70 mm		H2		H3	
K	x 30	L	x 6	M	x 7	N	x 4	O	x 8
									
H4		H12		PB2		WL3		WL5	
P	x 4	Q	x 64	R	x 7	S	x 24	T	x 85
									
		TN1		BN1		FW3		FW1	
U	x 71		x 1						
									
LW1		D6							

Cleaning and Care:

Clean surfaces with a dry or damp soft cloth. Do not use abrasive cleaners.

Nettoyage et Entretien:

Nettoyer les surfaces avec un chiffon doux, sec ou humide. Ne pas utiliser de nettoyeurs abrasifs.

Limpieza y Cuidado:

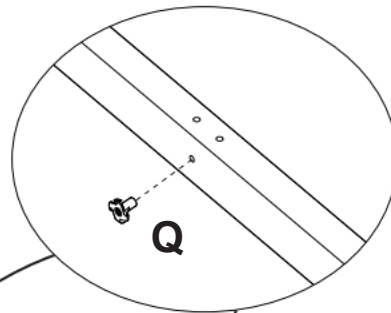
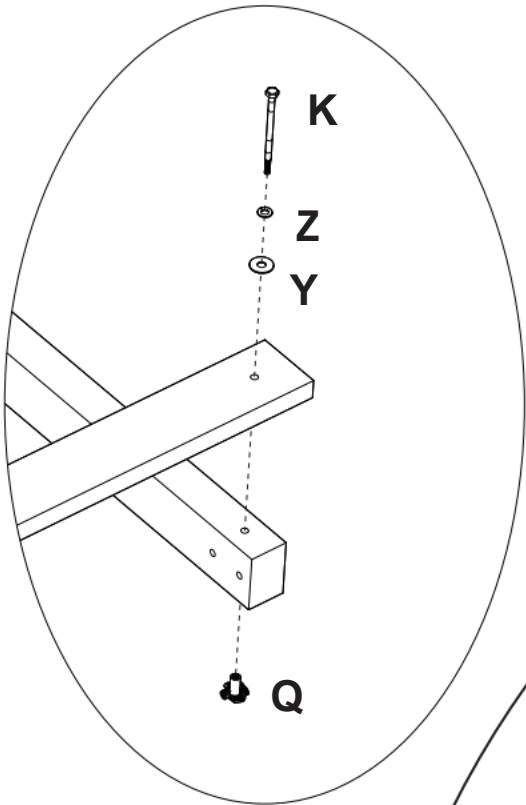
Limpie las superficies con un paño suave seco o húmedo. No use limpiadores abrasivos.

Step
Étape
Paso

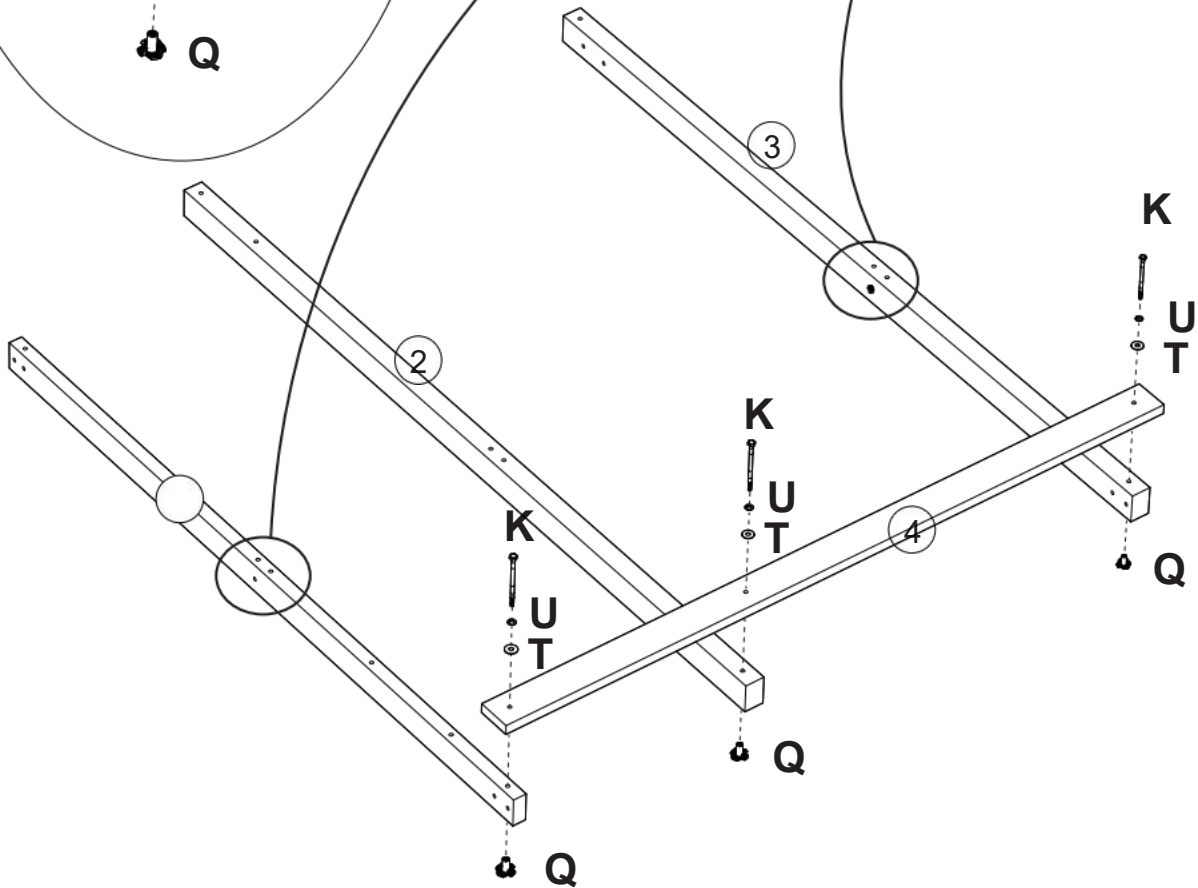
1



- ① x 1
- ② x 1
- ③ x 1
- ④ x 1
- Ⓚ x 3
- Ⓠ x 5
- Ⓣ x 3
- Ⓤ x 3

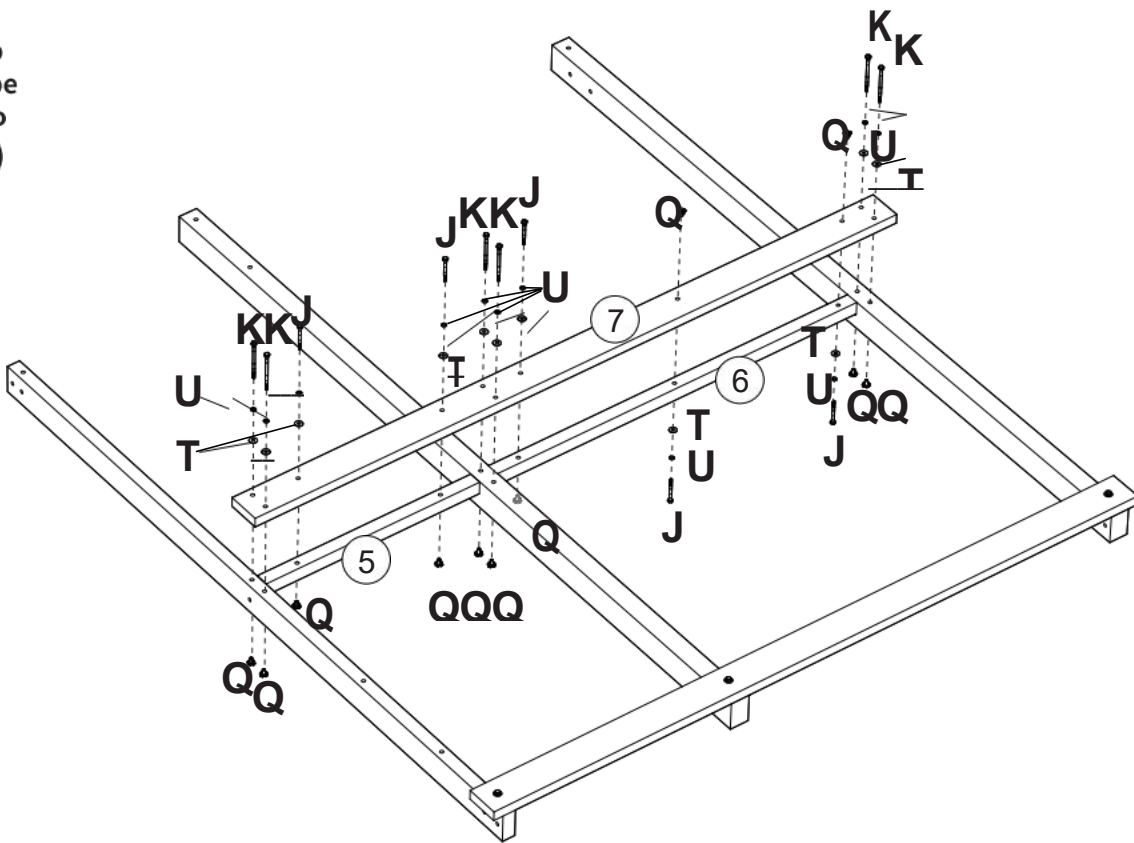


Monteren T - Moeren
eerst met hamer !



Step
Étape
Paso

2



⑤ x 1

⑥ x 1

⑦ x 1

Ⓚ x 6

Ⓝ x 5

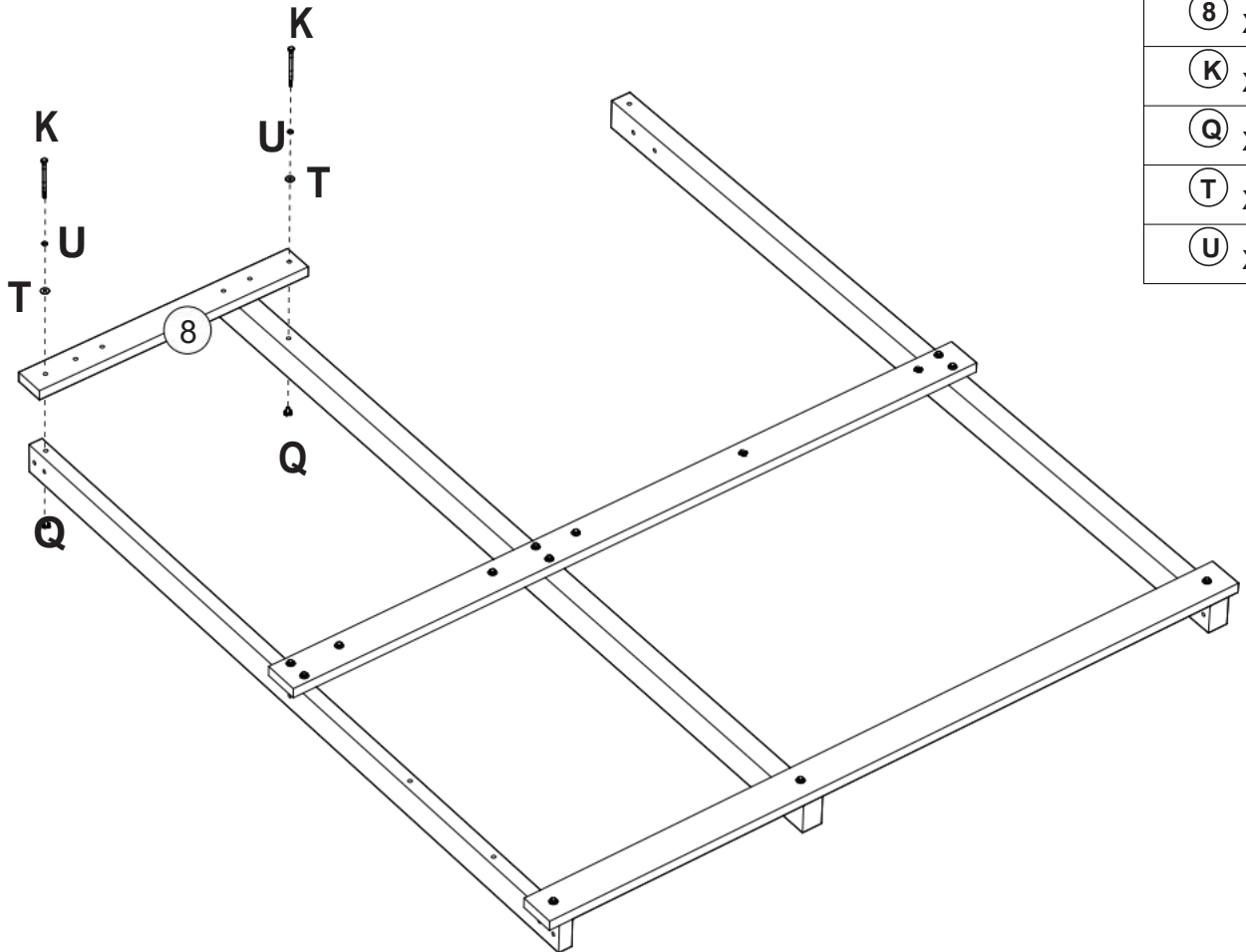
Ⓠ x 11

Ⓣ x 11

Ⓤ x 11

Step
Étape
Paso

3



⑧ x 1

Ⓚ x 2

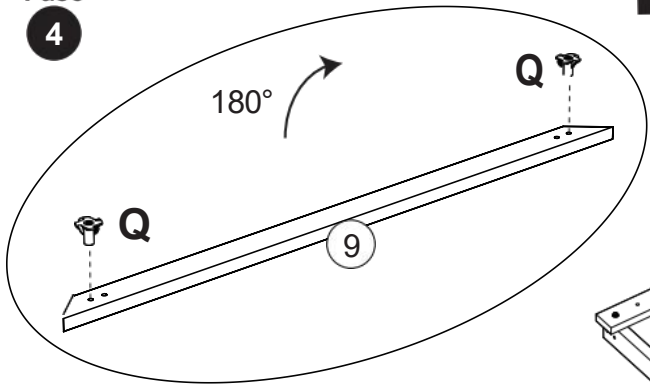
Ⓠ x 2

Ⓣ x 2

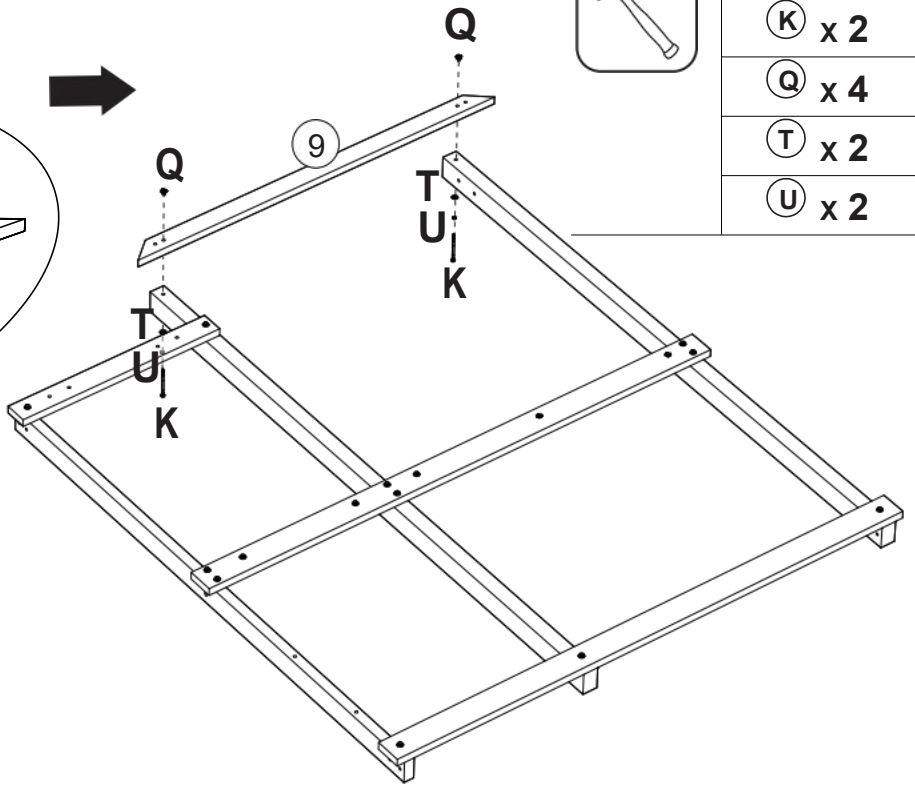
Ⓤ x 2

Step
Étape
Paso

4



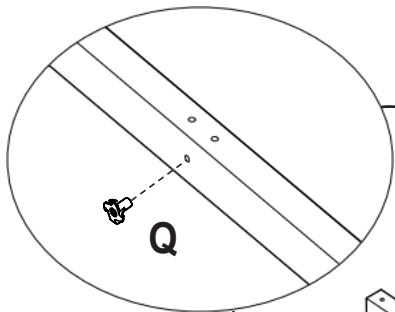
Assemble T-Nuts first with hammer!



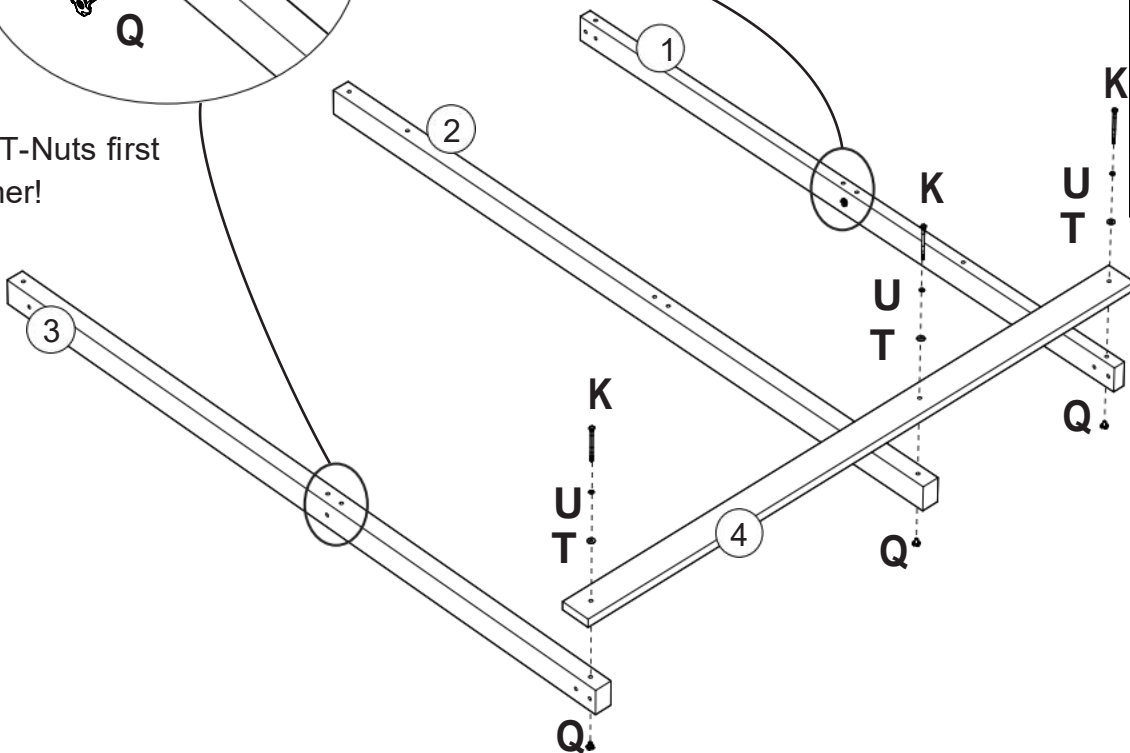
- ⑨ x 1
- Ⓚ x 2
- Ⓠ x 4
- Ⓣ x 2
- Ⓤ x 2

Step
Étape
Paso

5

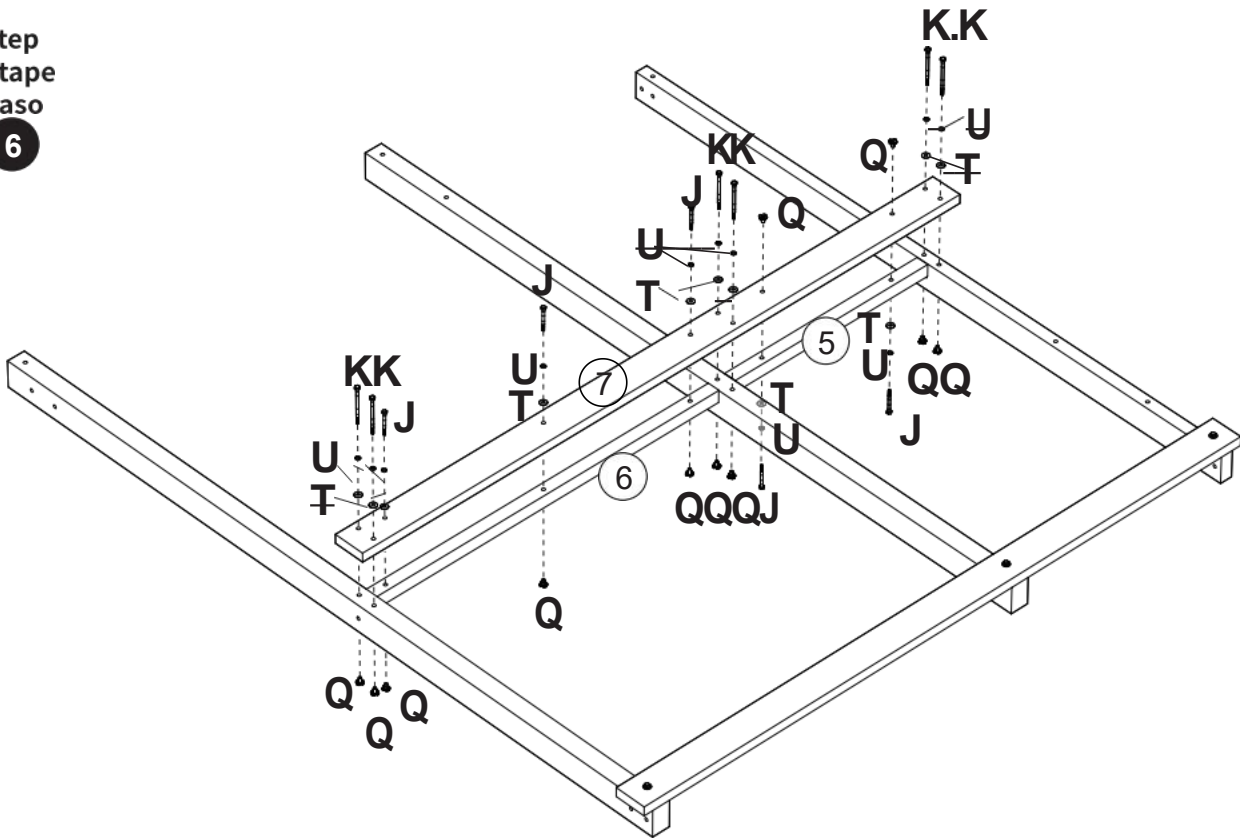


Assemble T-Nuts first with hammer!



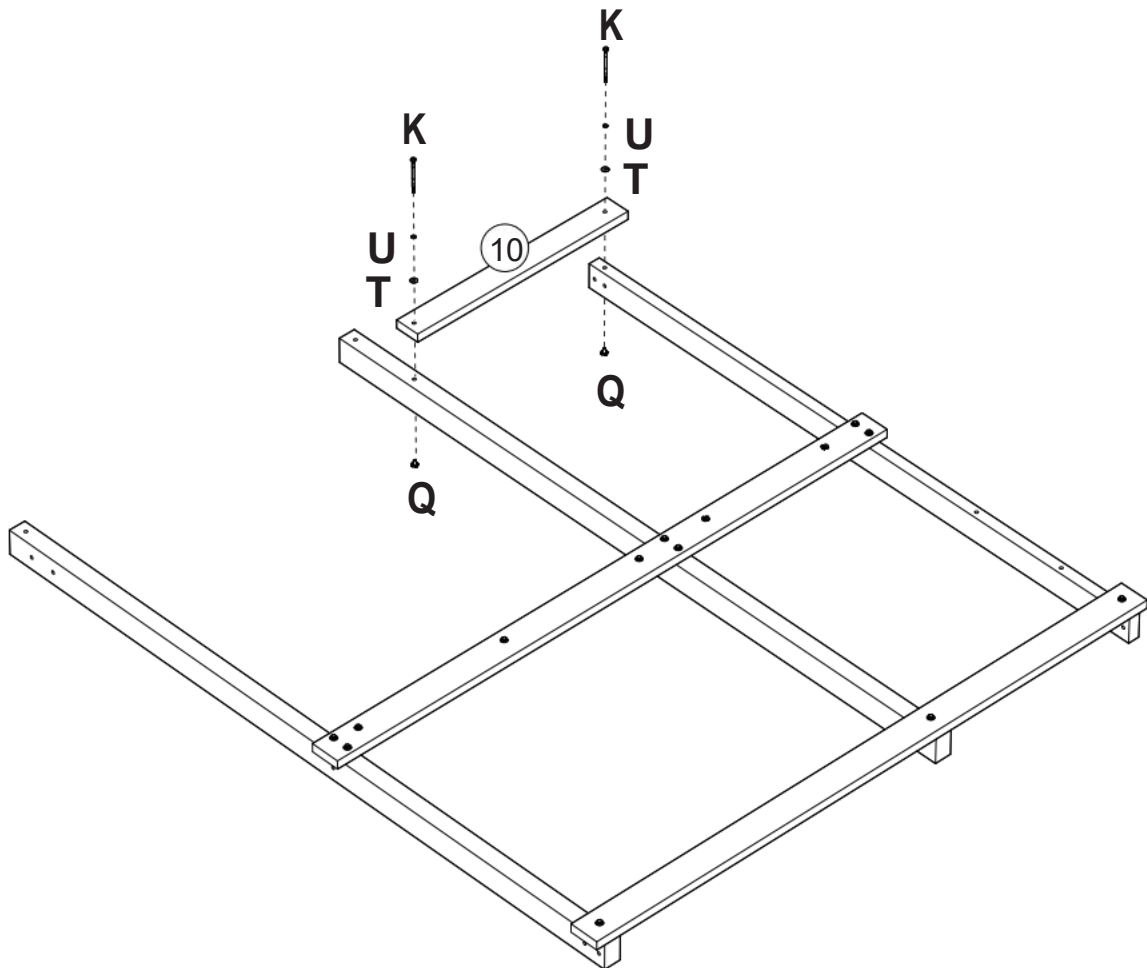
- ① x 1
- ② x 1
- ③ x 1
- ④ x 1
- Ⓚ x 3
- Ⓠ x 5
- Ⓣ x 3
- Ⓤ x 3

Step
Étape
Paso
6



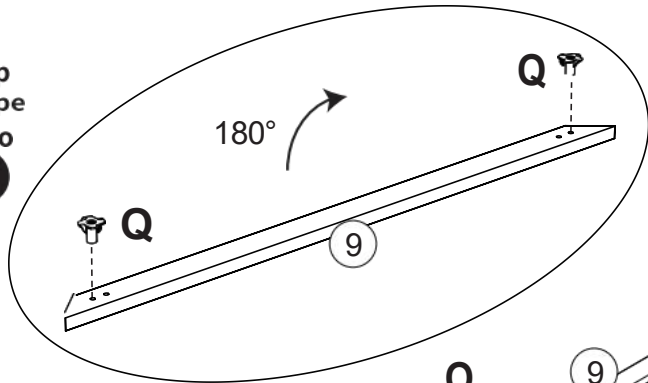
- ⑤ x 1
- ⑥ x 1
- ⑦ x 1
- Ⓚ x 6
- Ⓝ x 5
- Ⓠ x 11
- Ⓣ x 11
- Ⓤ x 11

Step
Étape
Paso
7

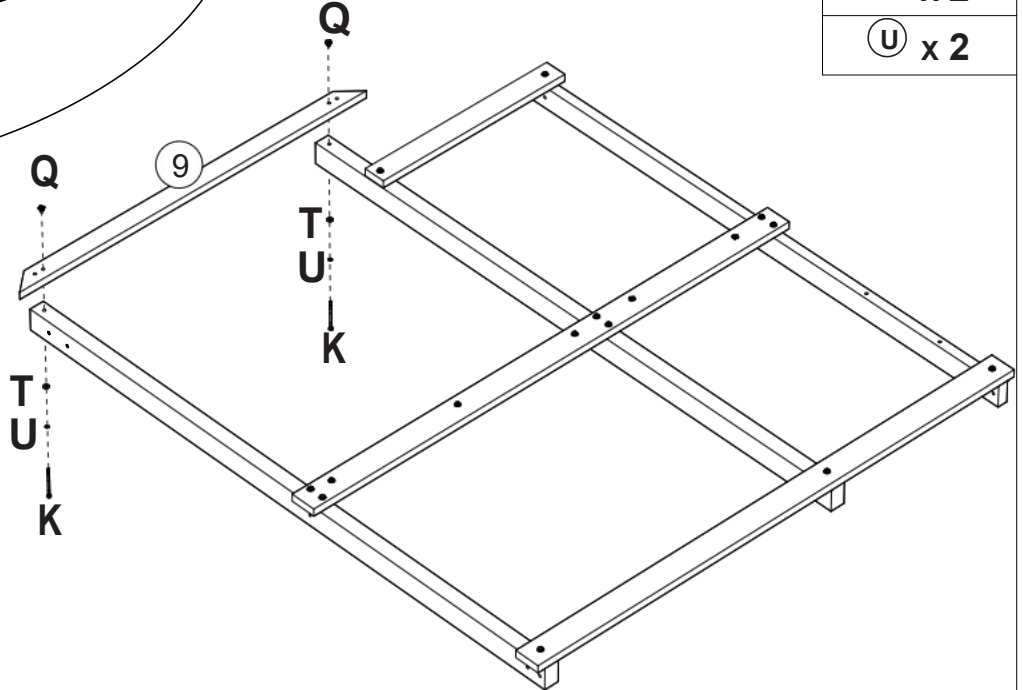


- ⑩ x 1
- Ⓚ x 2
- Ⓠ x 2
- Ⓣ x 2
- Ⓤ x 2

Step
Étape
Paso
8

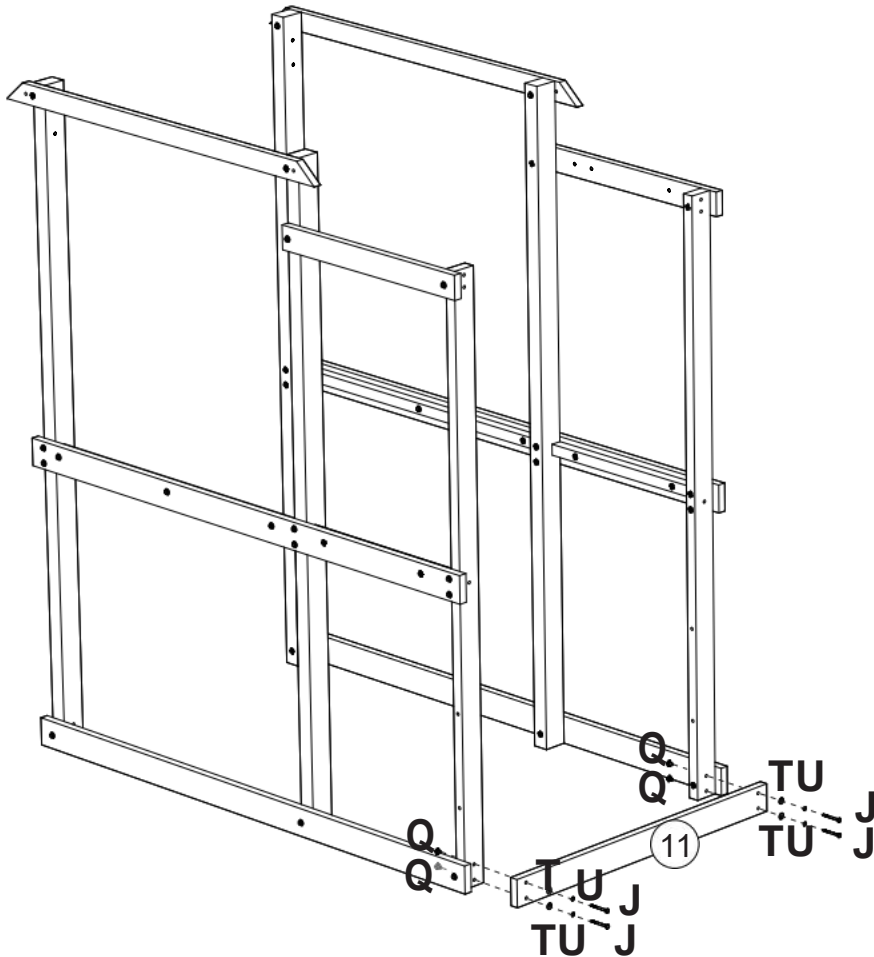


Assemble T-Nuts first
with hammer!



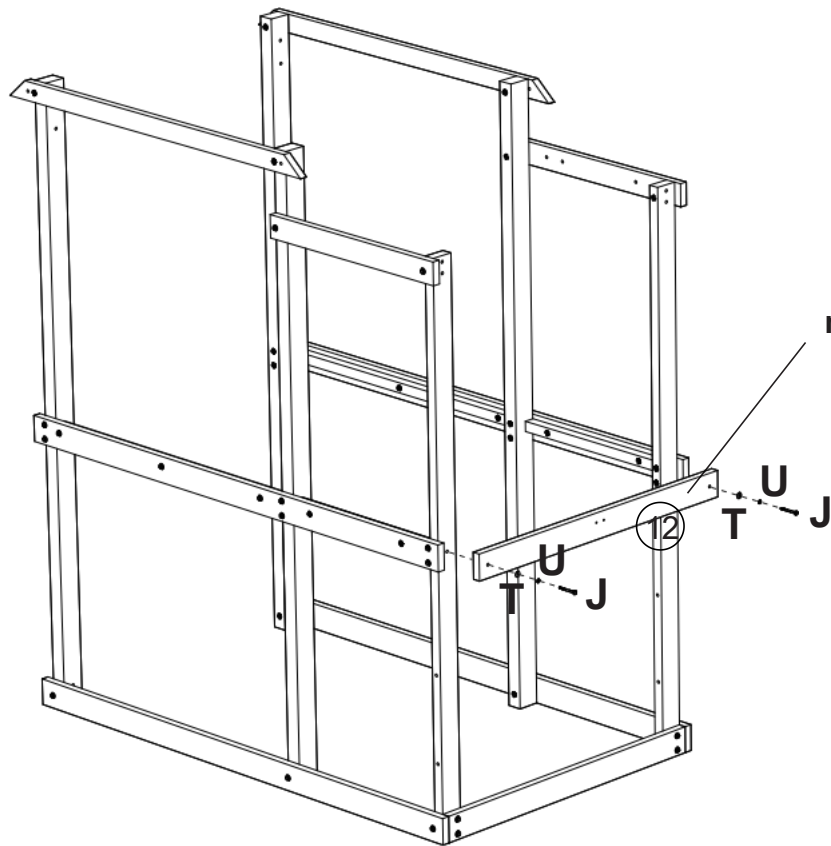
- ⑨ x 1
- Ⓚ x 2
- Ⓚ x 4
- Ⓣ x 2
- Ⓤ x 2

Step
Étape
Paso
9



- ⑪ x 1
- Ⓝ x 4
- Ⓚ x 4
- Ⓣ x 4
- Ⓤ x 4

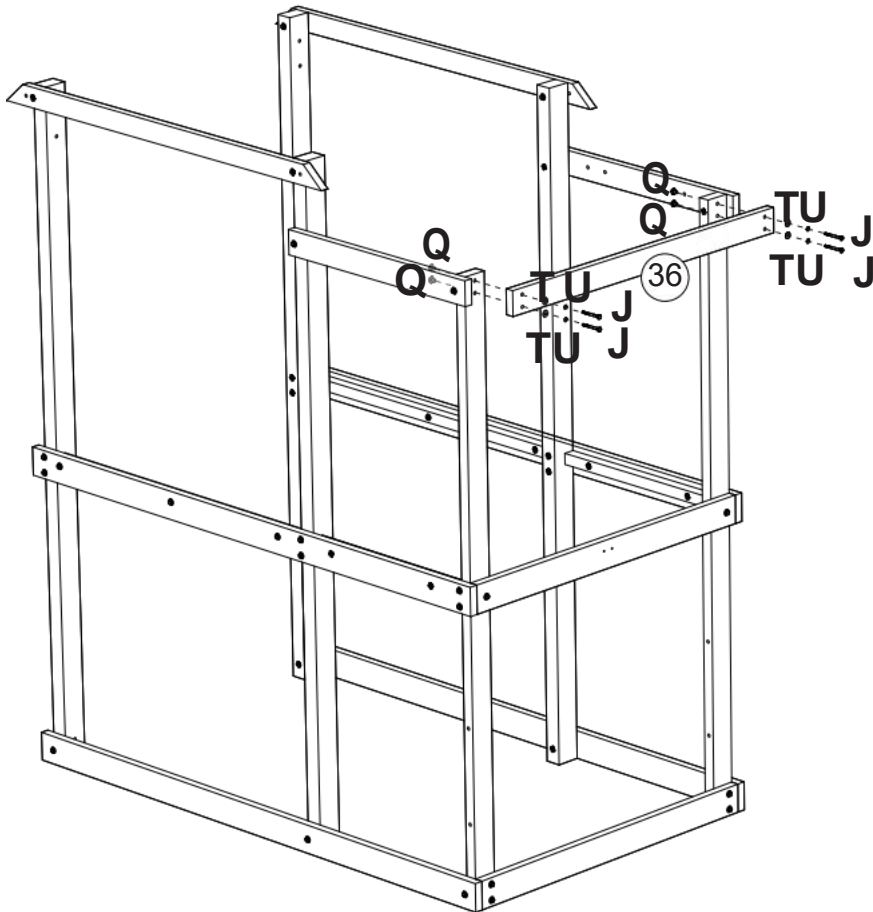
Step
Étape
Paso
10



⑫	x 1
ⓐ	x 2
Ⓣ	x 2
Ⓤ	x 2

met logo

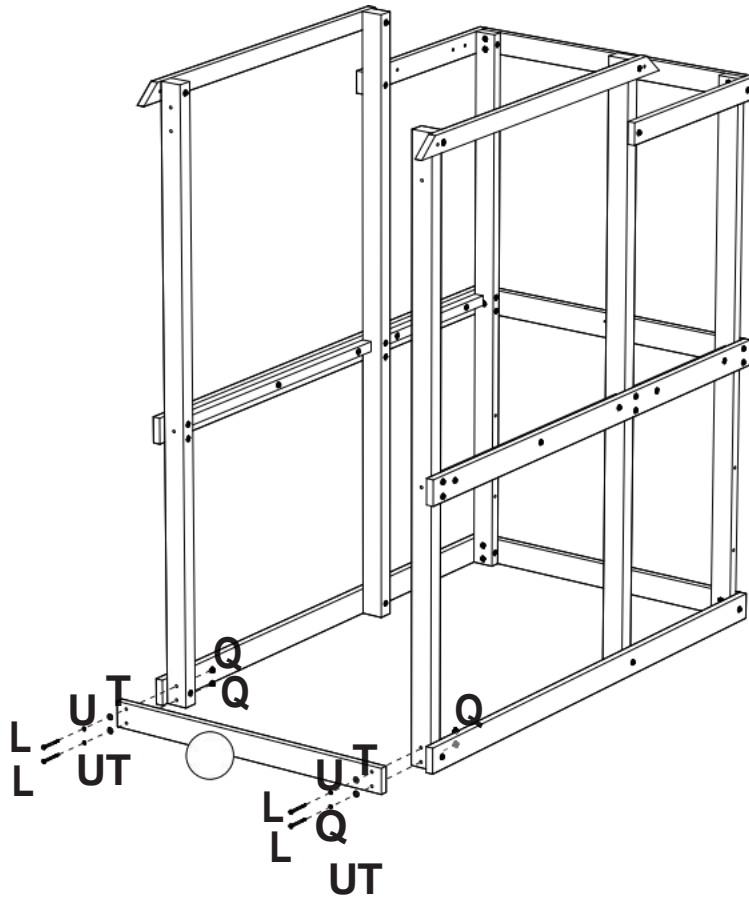
Step
Étape
Paso
11



③⑥	x 1
ⓐ	x 4
Ⓚ	x 4
Ⓣ	x 4
Ⓤ	x 4

Step
Étape
Paso

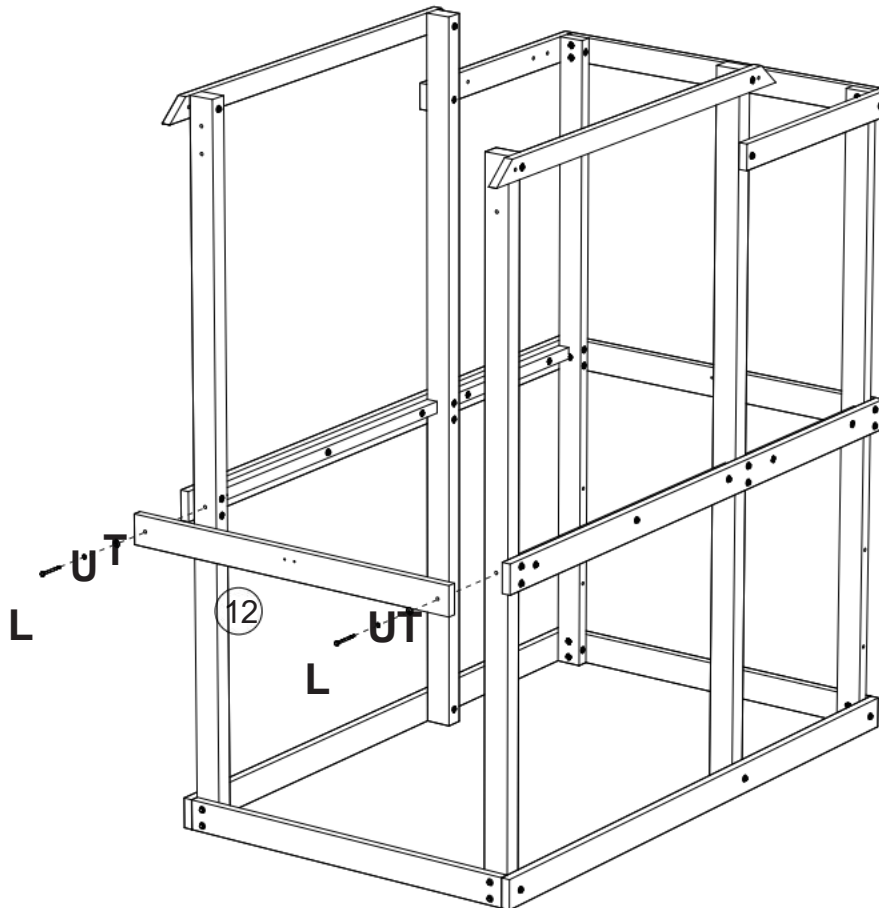
12



⑪	x 1
Ⓛ	x 4
Ⓚ	x 4
Ⓣ	x 4
Ⓤ	x 4

Step
Étape
Paso

13



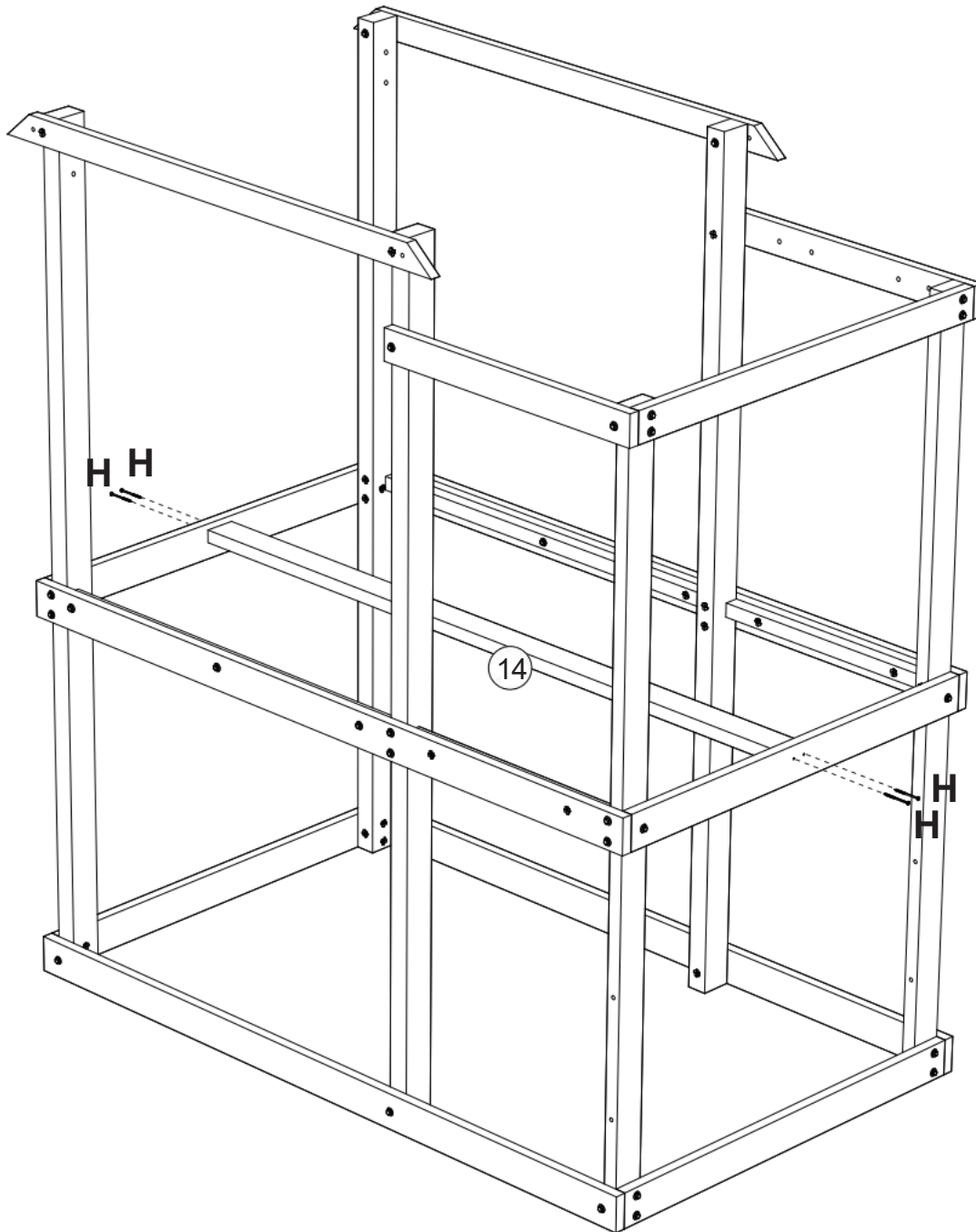
⑫	x 1
Ⓛ	x 2
Ⓣ	x 2
Ⓤ	x 2

Step
Étape
Paso

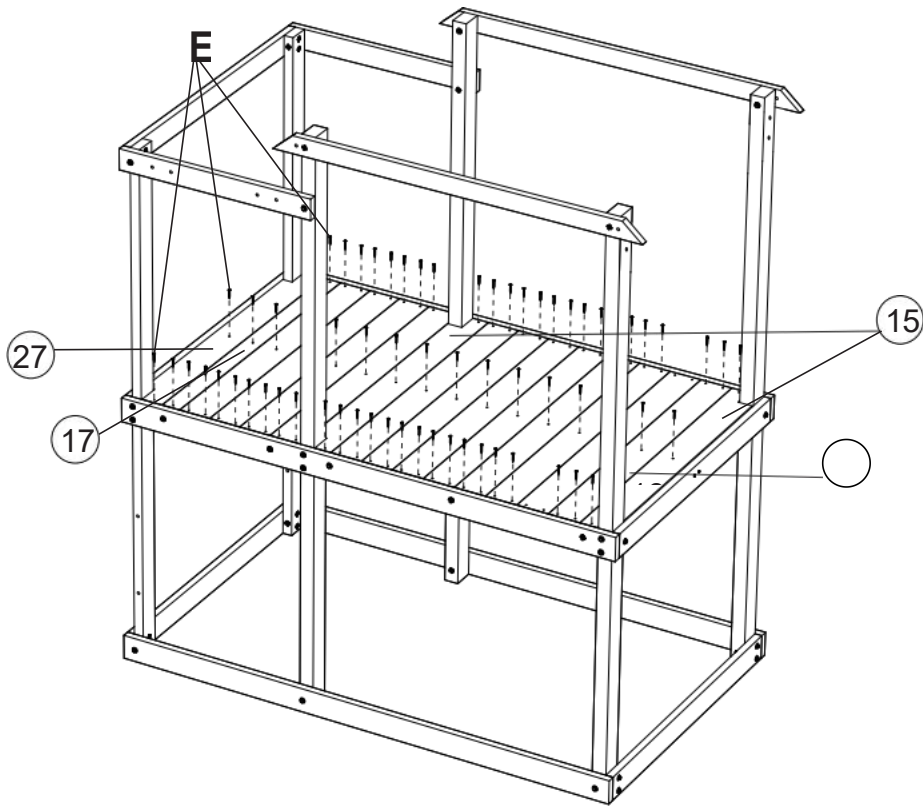
14

14 x 1

H x 4

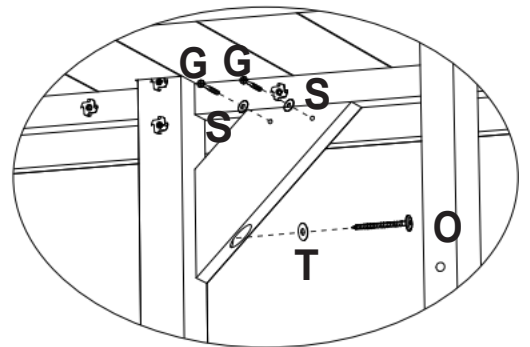
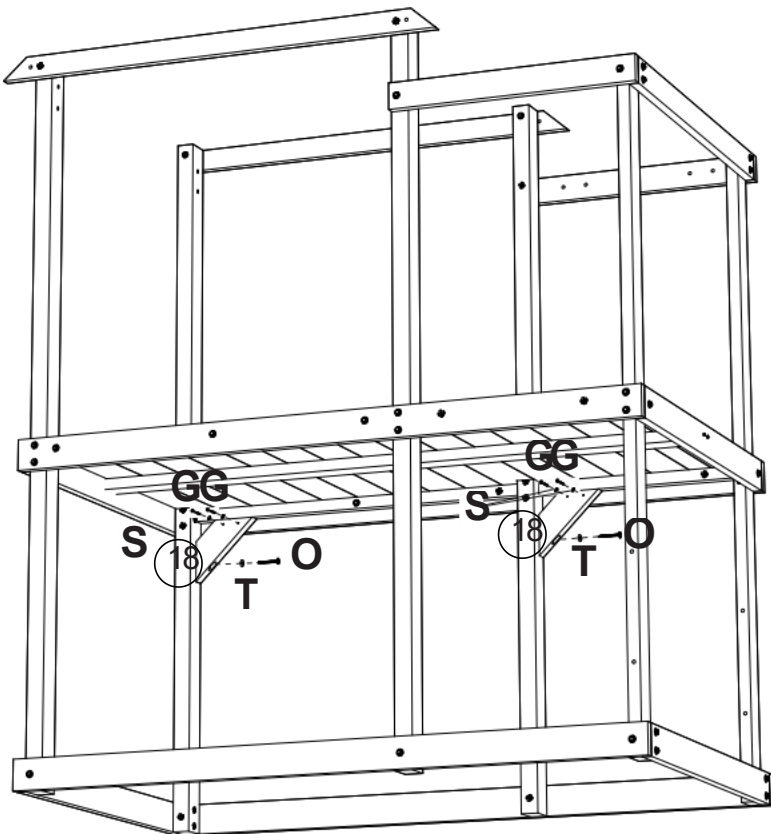


Step
Étape
Paso
15



15	x 2
16	x 12
17	x 1
27	x 1
E	x 67

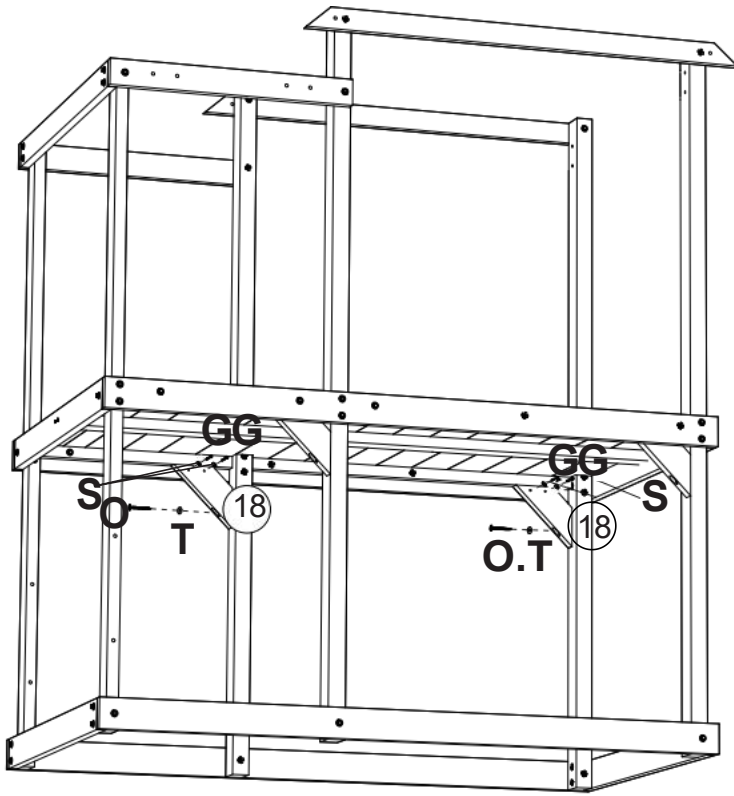
Step
Étape
Paso
16



18	x 2
G	x 4
O	x 2
S	x 4
T	x 2

Step
Étape
Paso

17



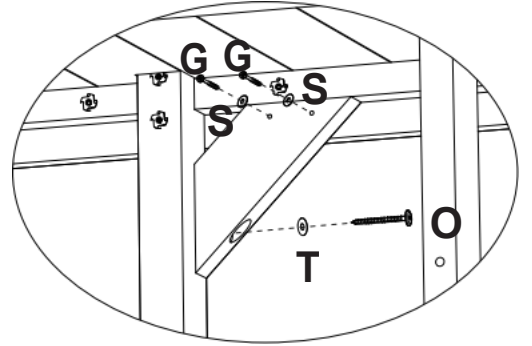
18 x 2

G x 4

O x 2

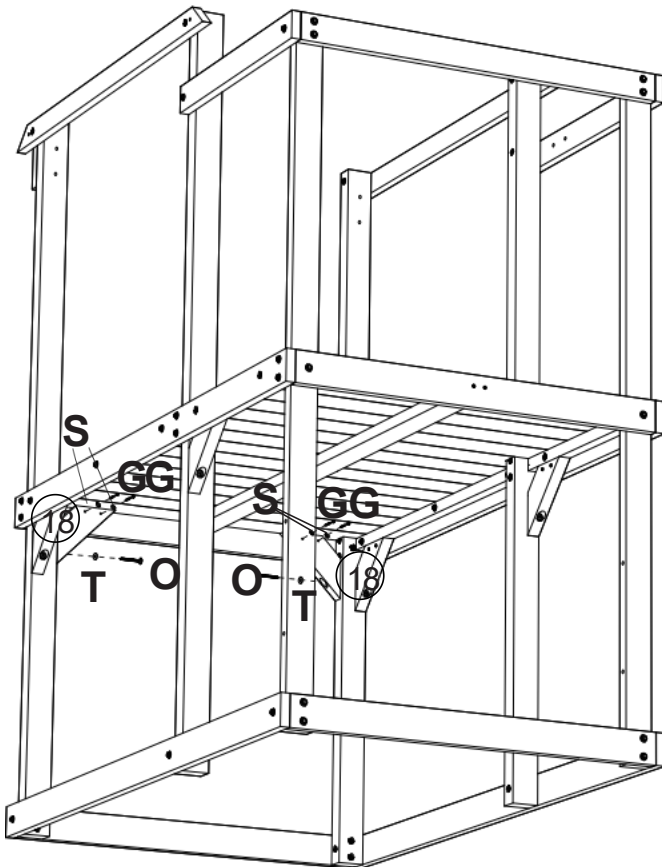
S x 4

T x 2



Step
Étape
Paso

18



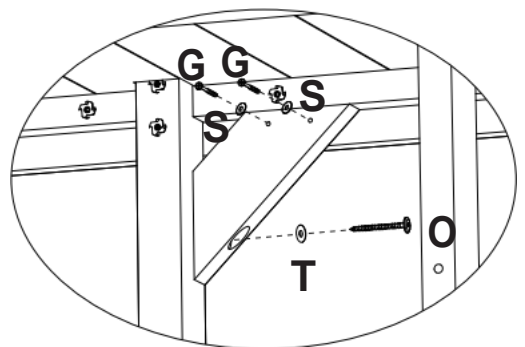
18 x 2

G x 4

O x 2

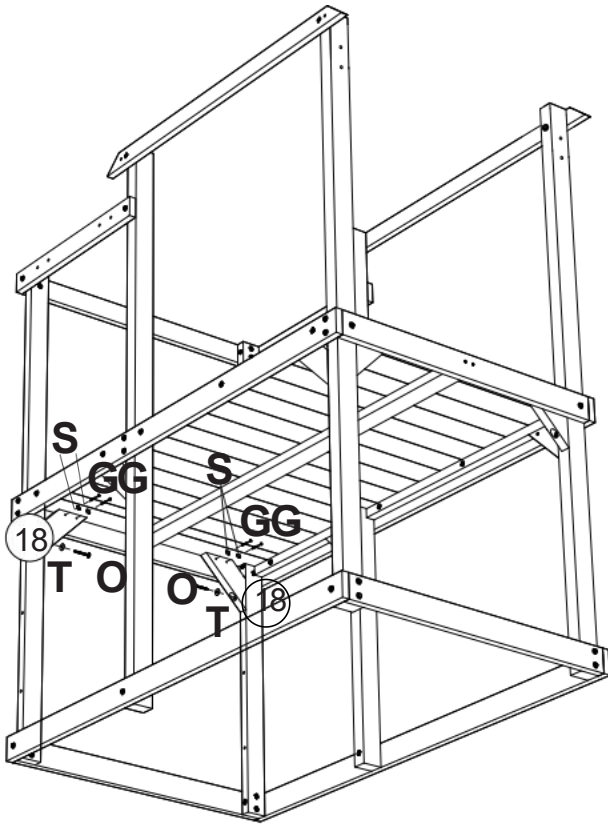
S x 4

T x 2



Step
Étape
Paso

19



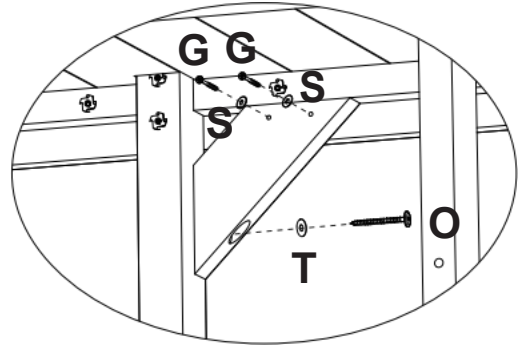
18 x 2

G x 4

O x 2

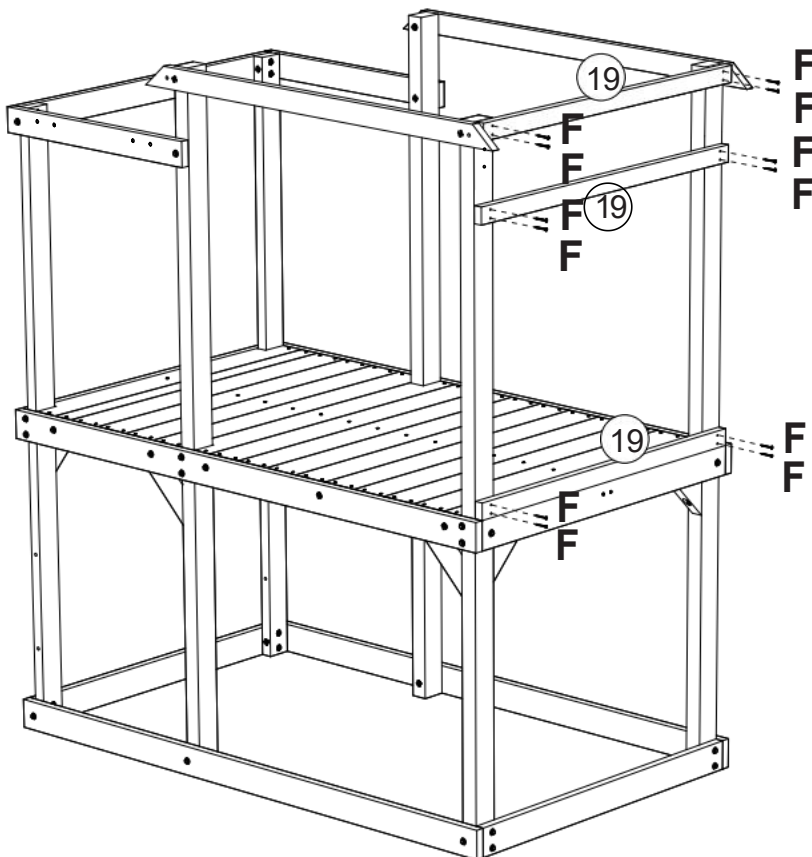
S x 4

T x 2



Step
Étape
Paso

20

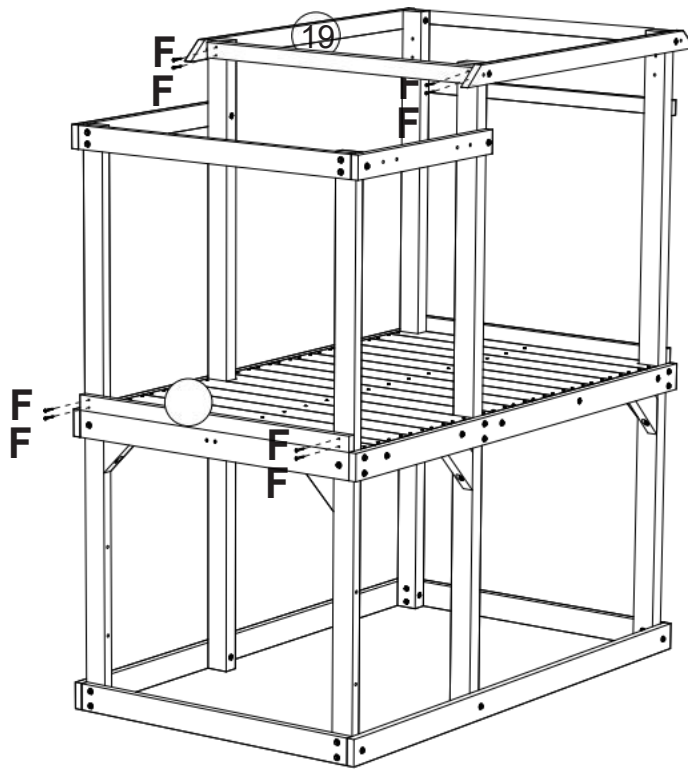


19 x 3

F x 12

Step
Étape
Paso

21

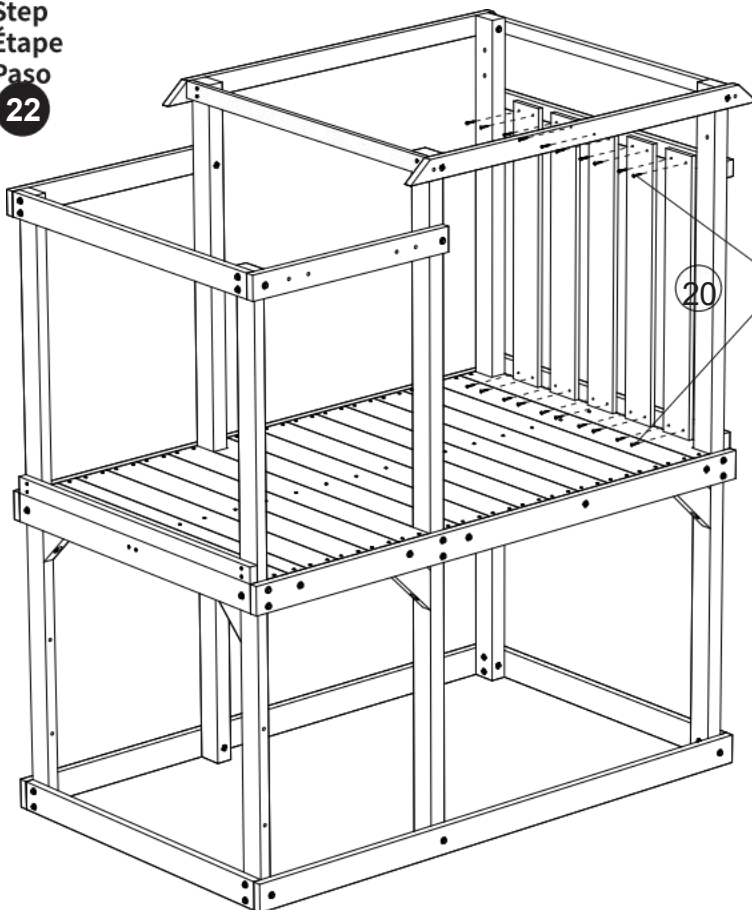


19 x 2

F x 8

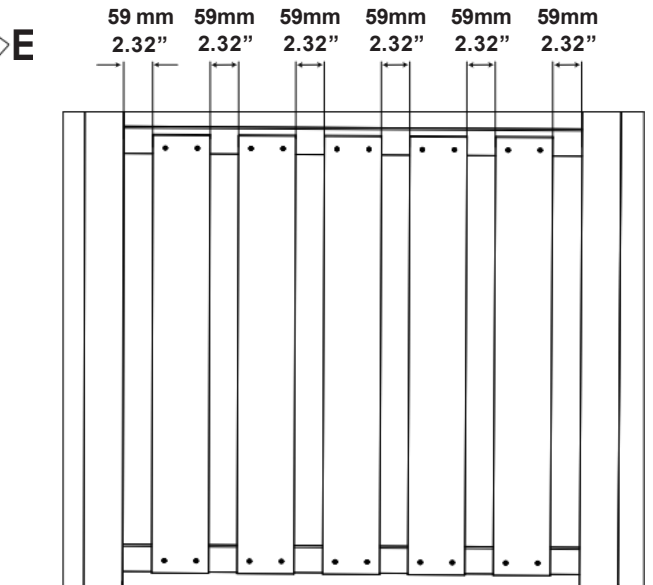
Step
Étape
Paso

22



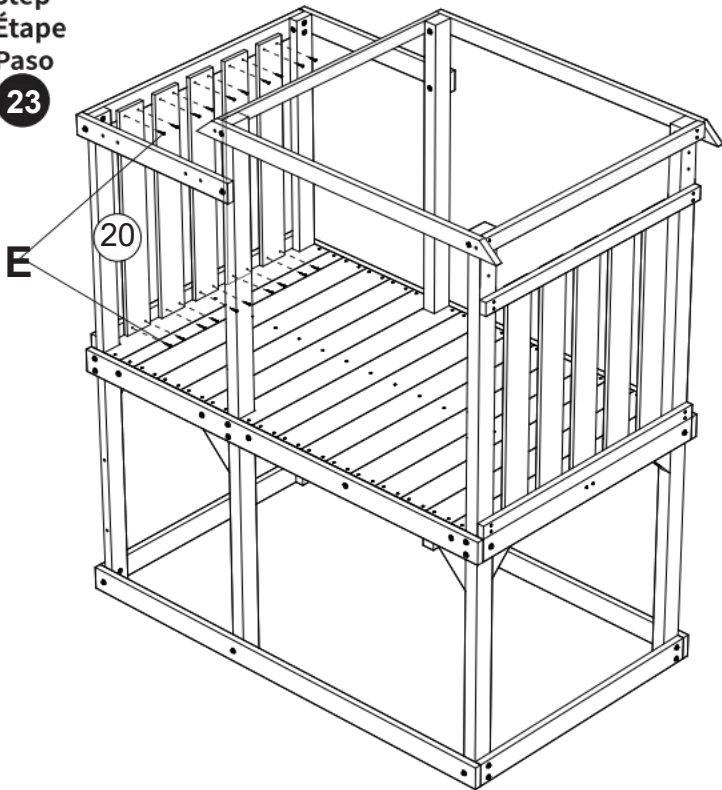
20 x 5

E x 20



Step
Étape
Paso

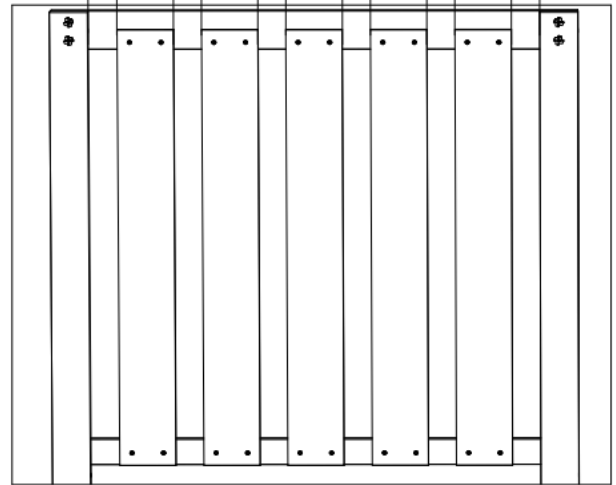
23



20 x 5

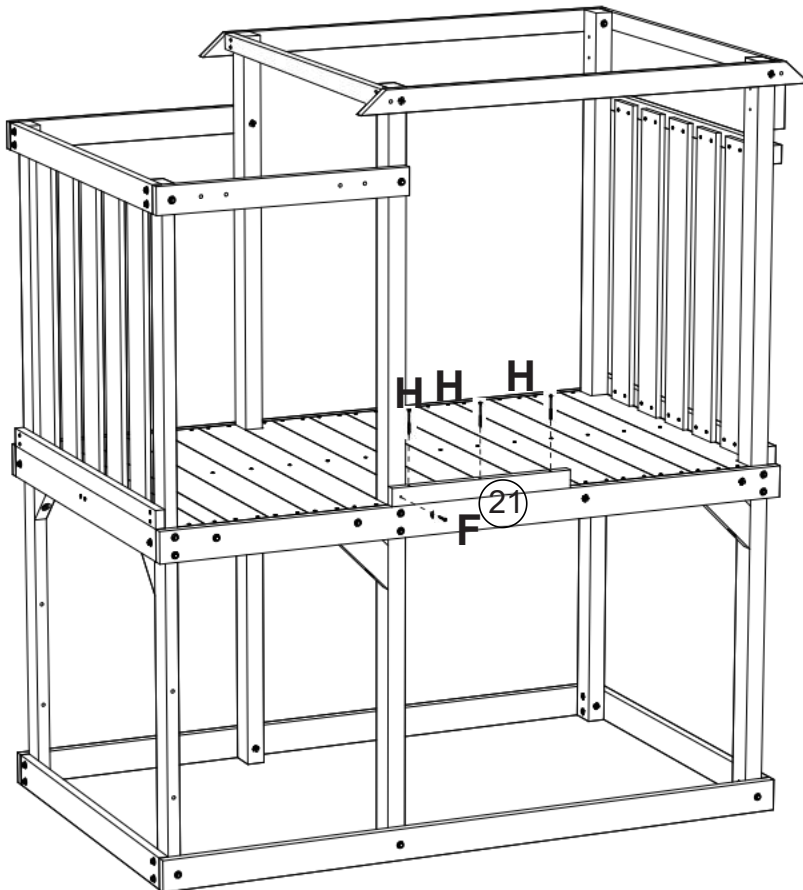
E x 20

59 mm 59 mm 59 mm 59 mm 59 mm 59 mm
2,32" 2,32" 2,32" 2,32" 2,32" 2,32"



Step
Étape
Paso

24



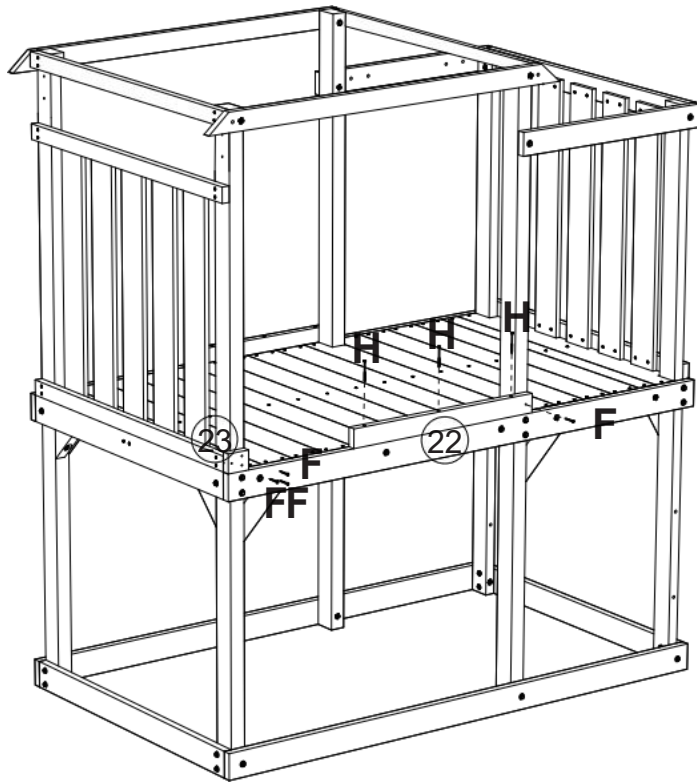
21 x 1

F x 1

H x 3

Step
Étape
Paso

25



22 x 1

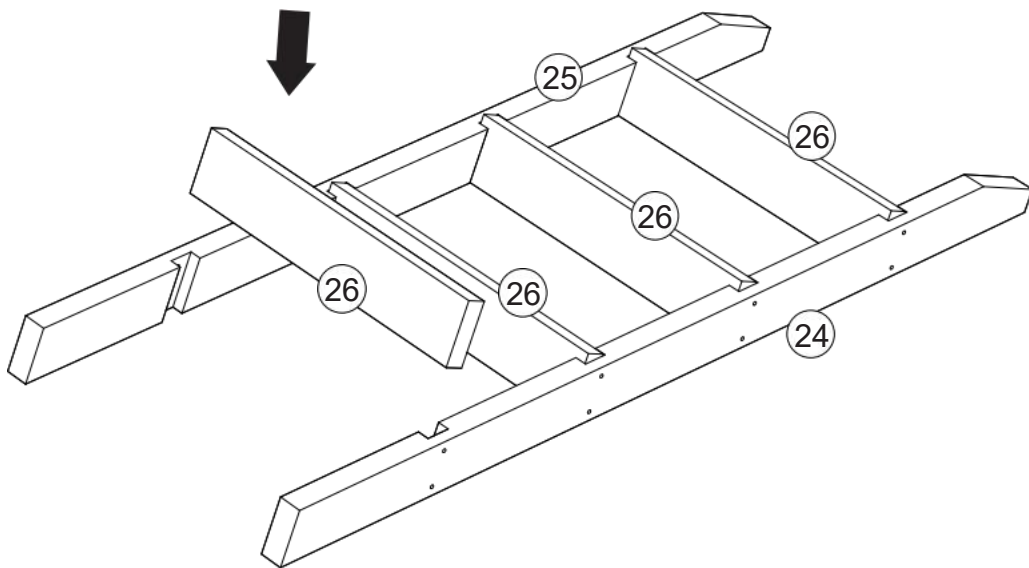
23 x 1

F x 4

H x 3

Step
Étape
Paso

26



24 x 1

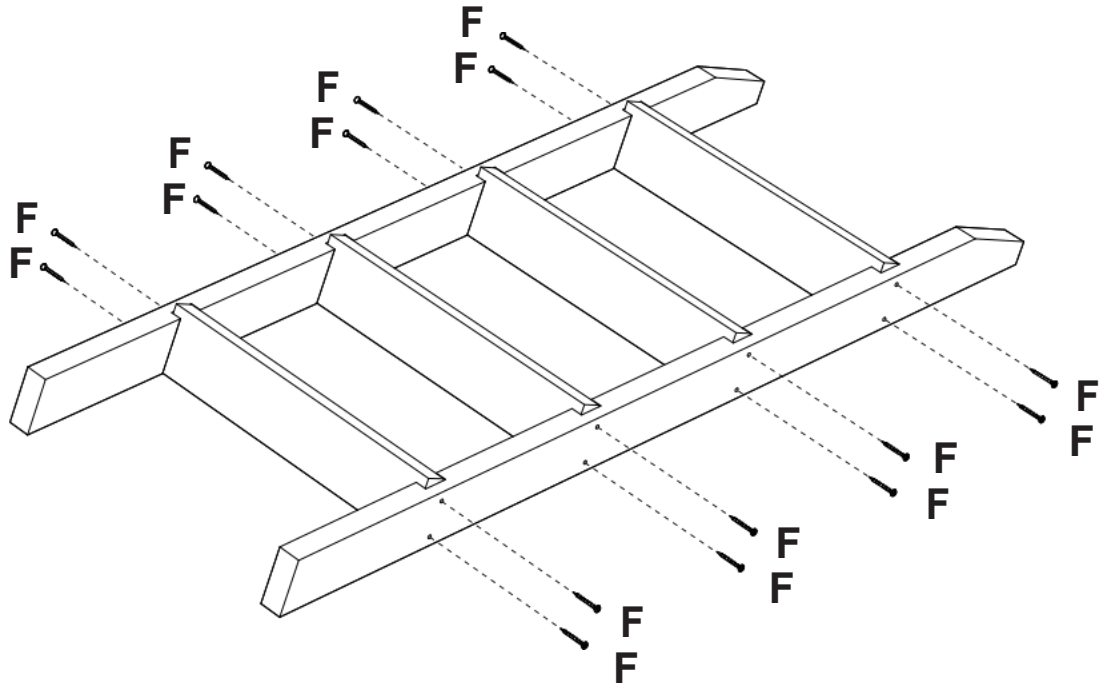
25 x 1

26 x 4

(F) x 16

Step
Étape
aso

27

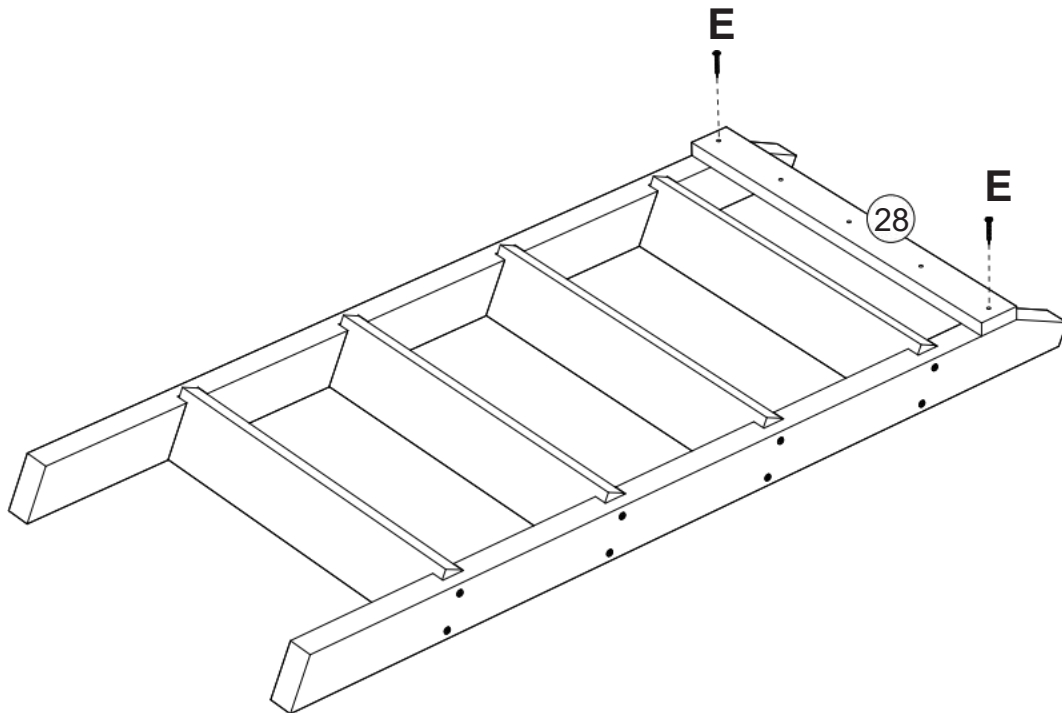


Step
Étape
aso

28

(28) x 1

(E) x 2

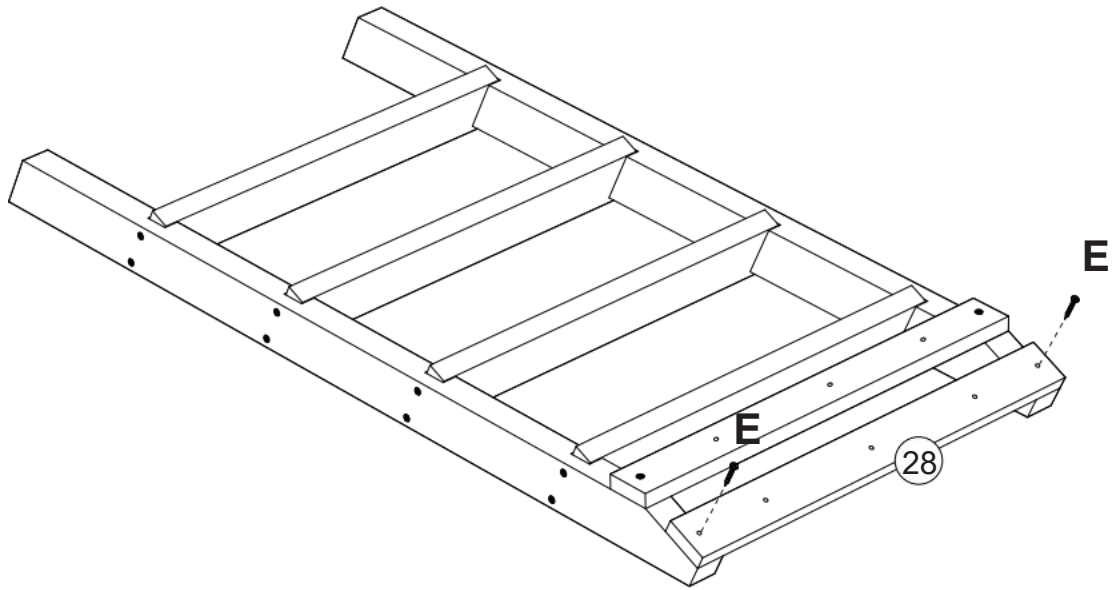


Step
Étape
Paso

29

28 x 1

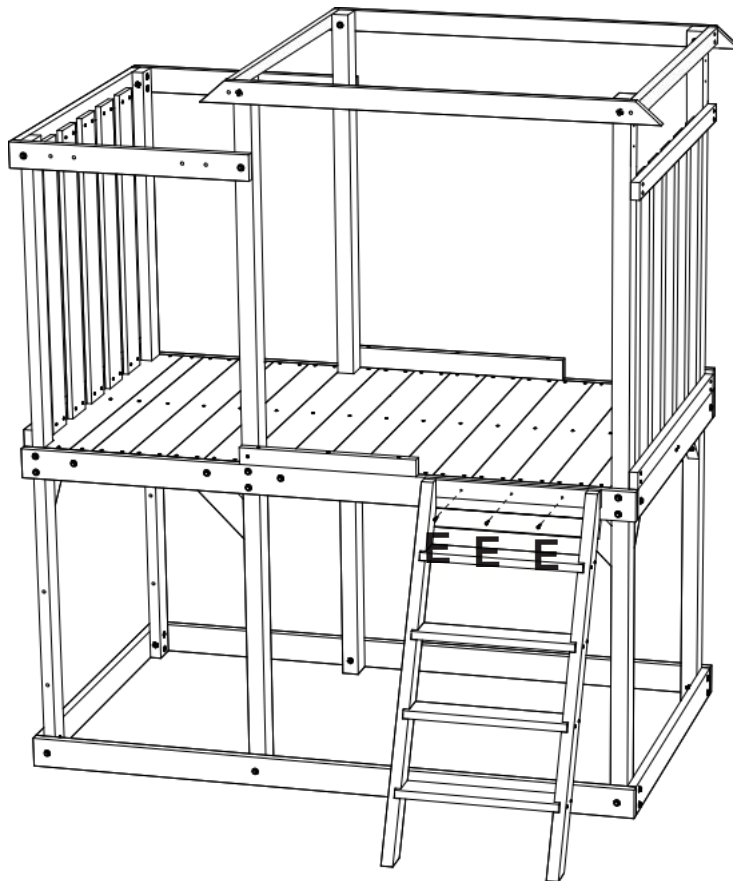
E x 2



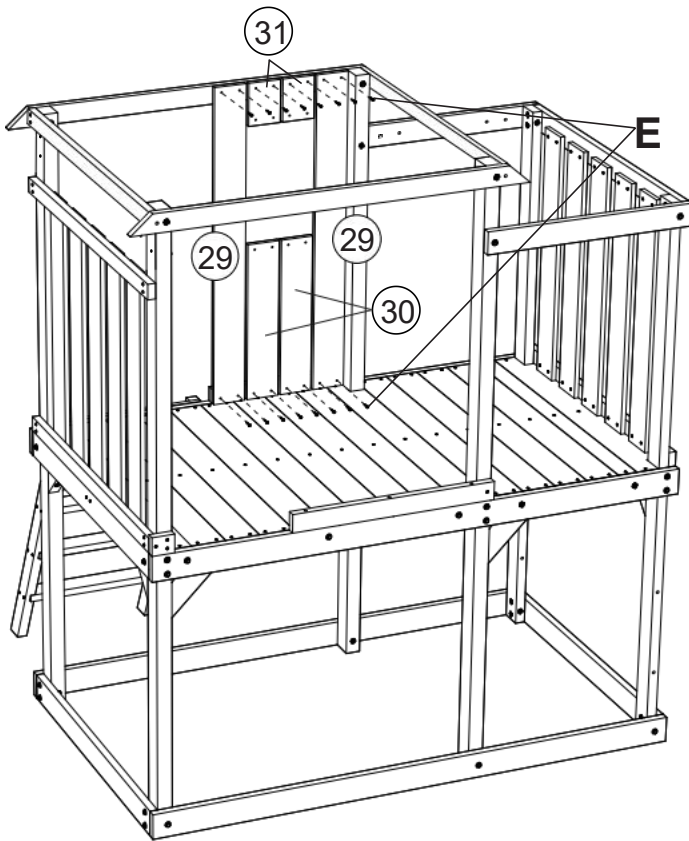
Step
Étape
Paso

30

E x 3



Step
Étape
Paso
31

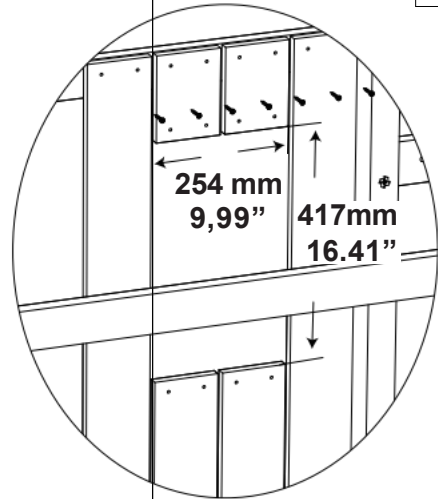


Ⓣ29 x 2

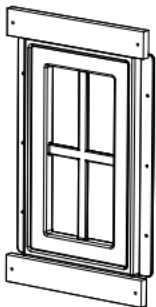
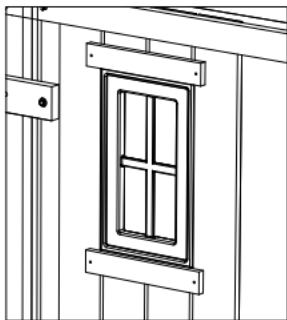
Ⓣ30 x 2

Ⓣ31 x 2

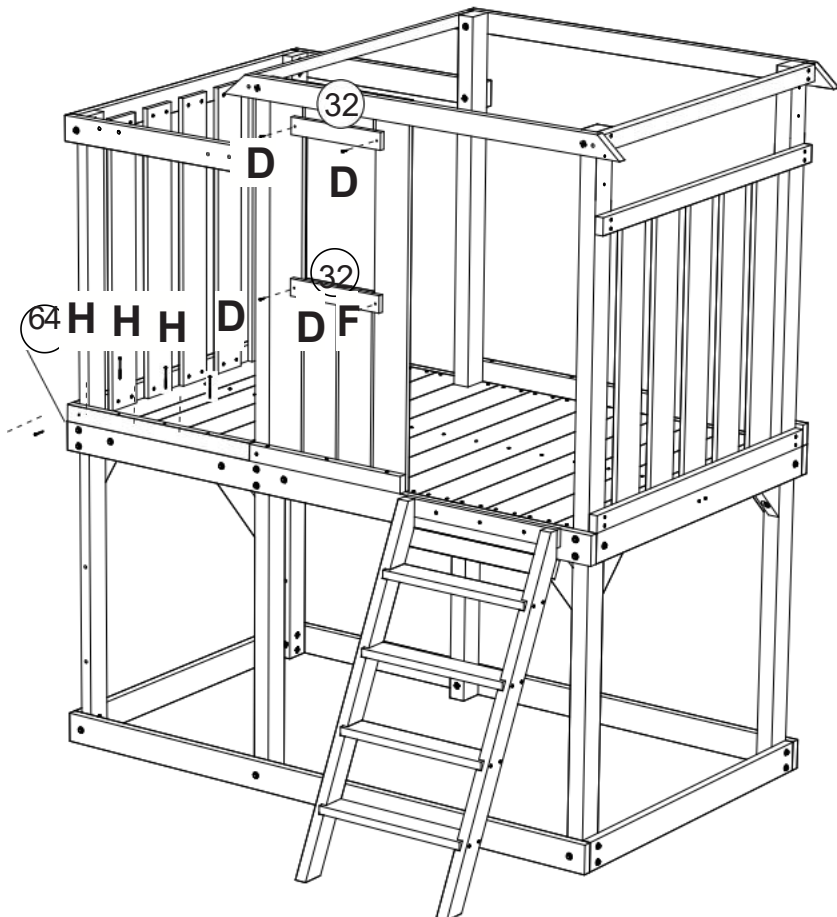
ⓉE x 16



Step
Étape
Paso
32



Uitlijnen met venster



Ⓣ32 x 2

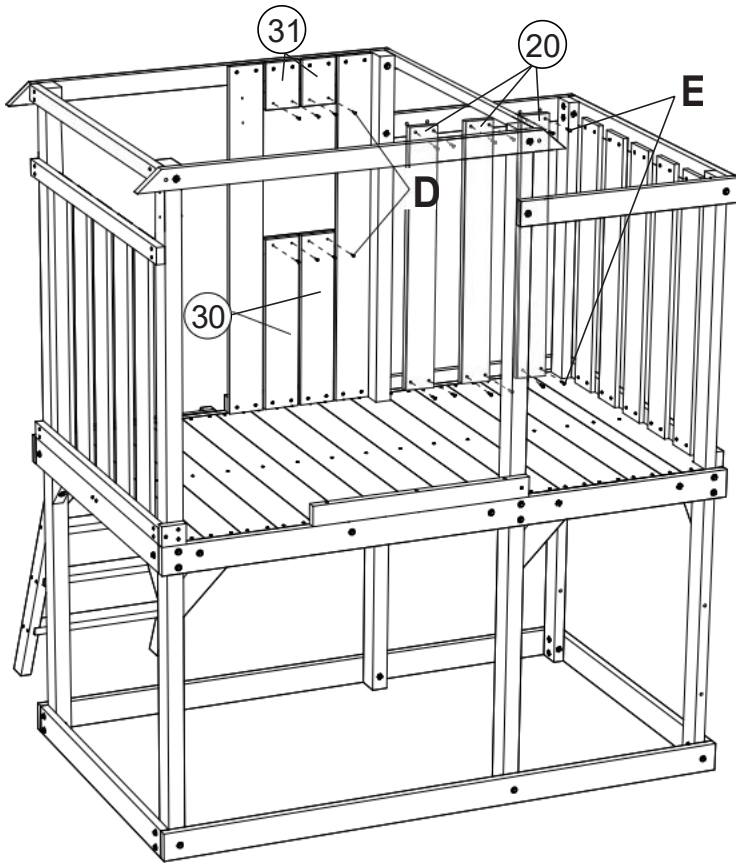
Ⓣ64 x 1

ⓉD x 4

ⓉF x 1

ⓉH x 3

Step
Étape
Paso
33

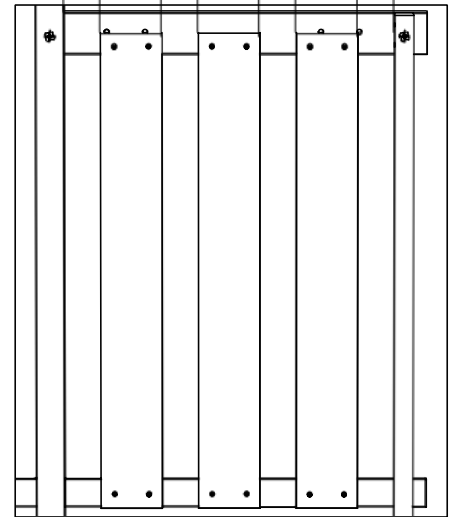


⓪ x 3

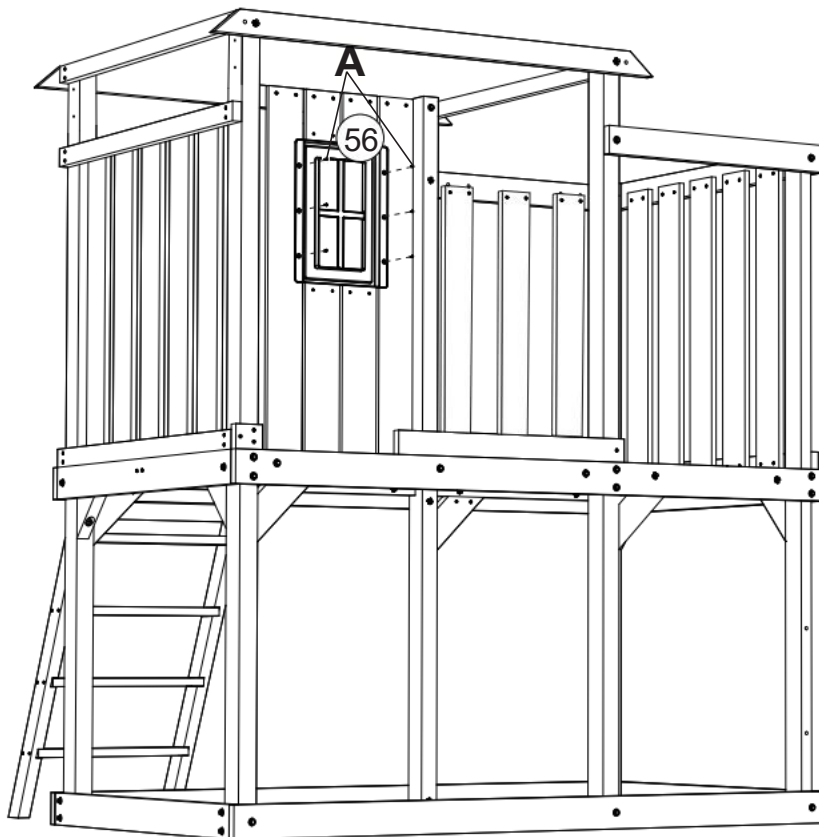
ⓓ x 8

ⓔ x 12

69.5mm 69.5mm 69.5mm 69.5mm
2.73" 2.73" 2.73" 2.73"



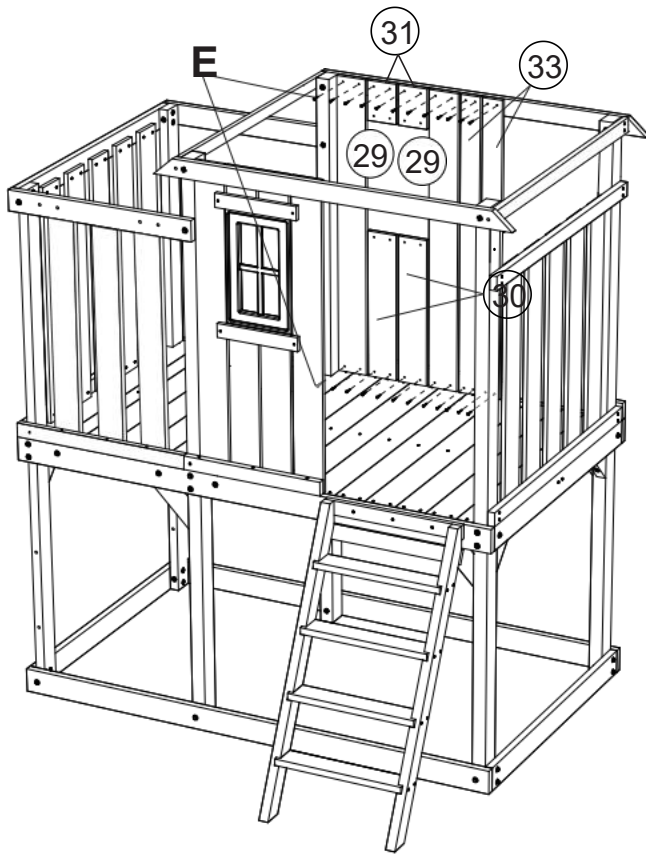
Step
Étape
Paso
34



ⓈⓆ x 1

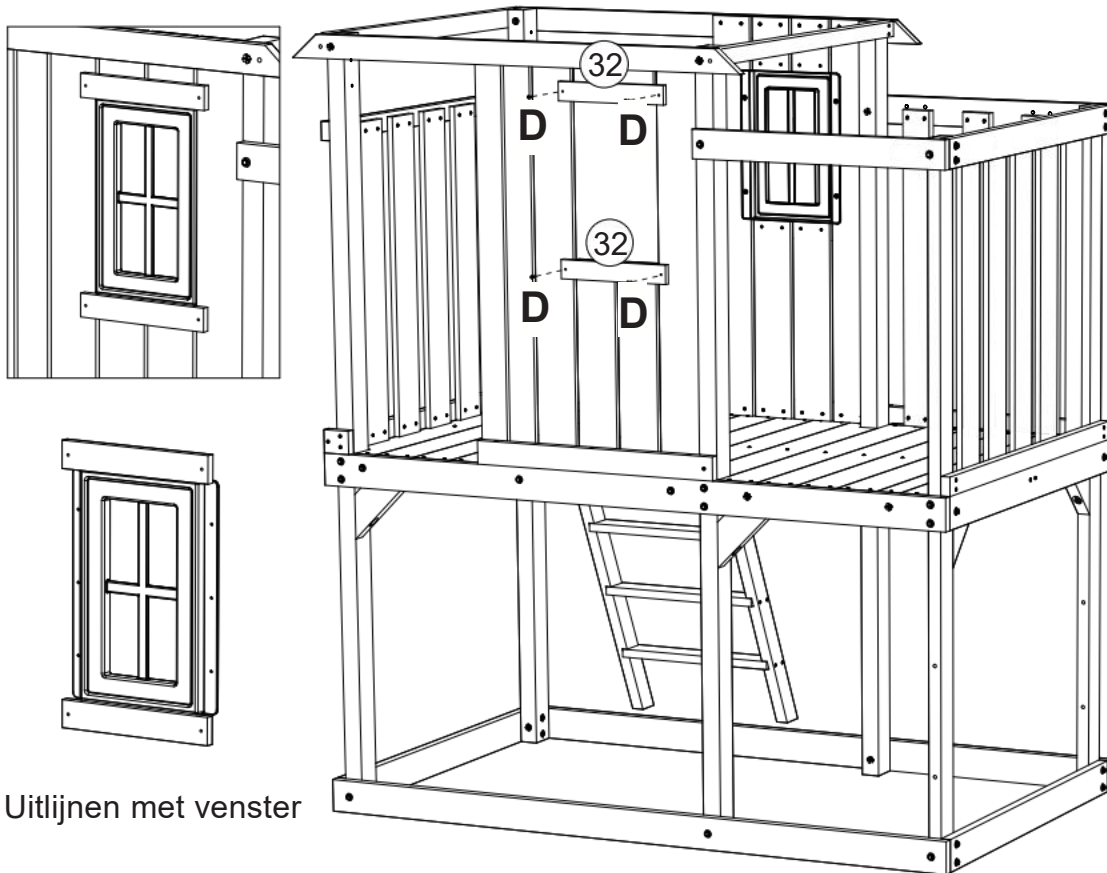
Ⓐ x

Step
Étape
Paso
35



- Ⓣ 29 x 2
- Ⓣ 30 x 2
- Ⓣ 31 x 2
- Ⓣ 33 x 2
- Ⓣ E x 24

Step
Étape
Paso
36



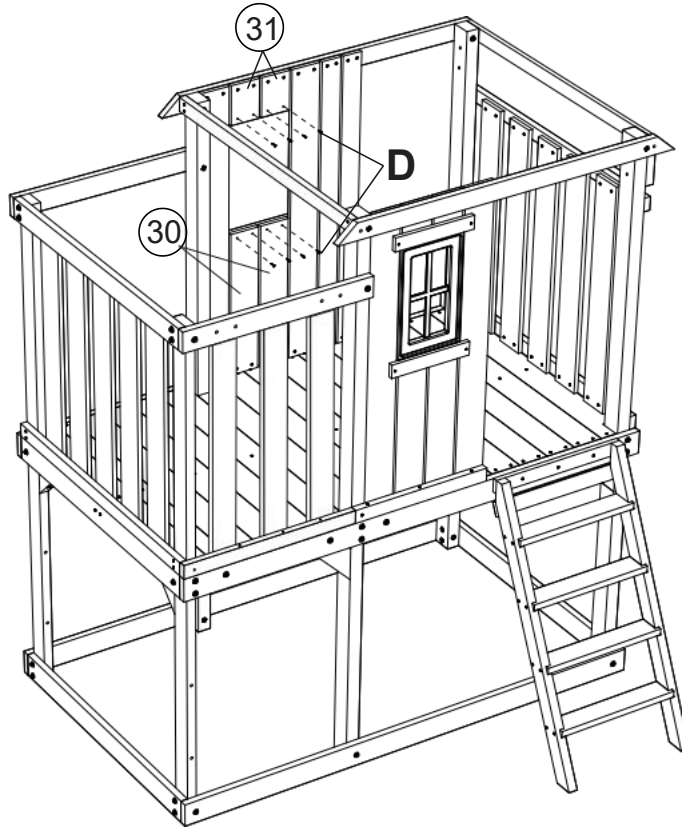
Uitlijnen met venster

- Ⓣ 32 x 2
- Ⓣ D x 4

ⓓ x 8

Step
Étape
Paso

37



Ⓜ6 x 1

Ⓐ x 6

Step
Étape
Paso

38



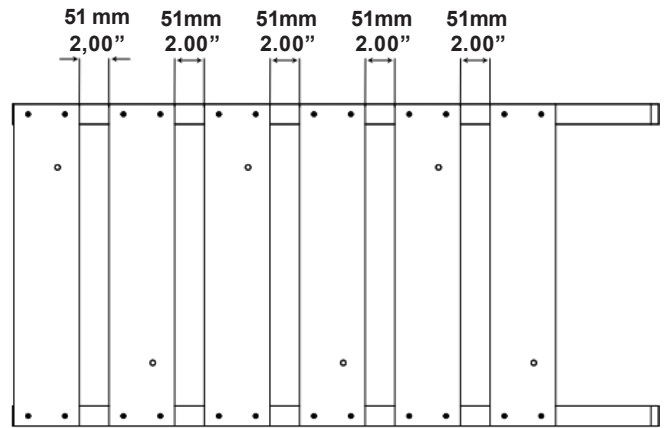
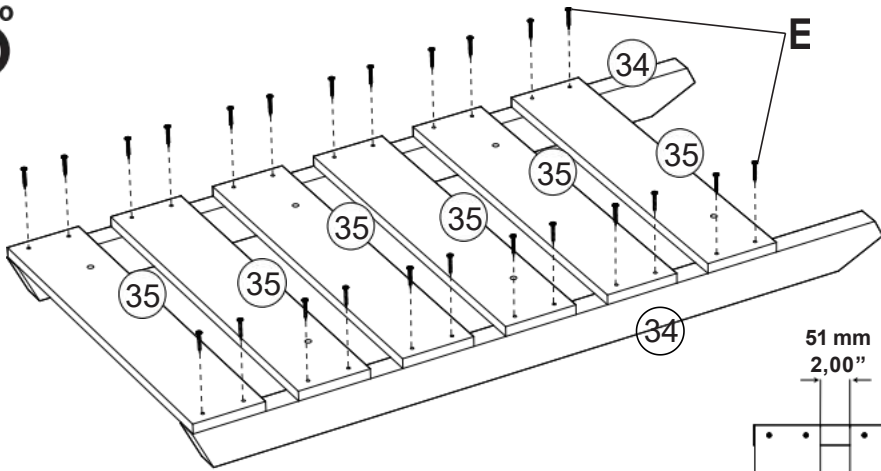
Step
Étape
Paso

39

34 x 2

35 x 6

E x 24

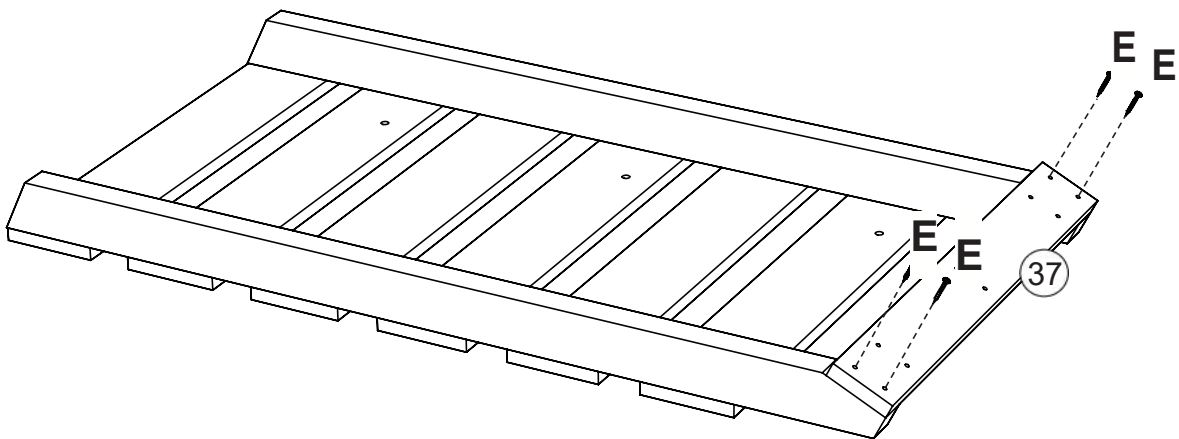


Step
Étape
Paso

40

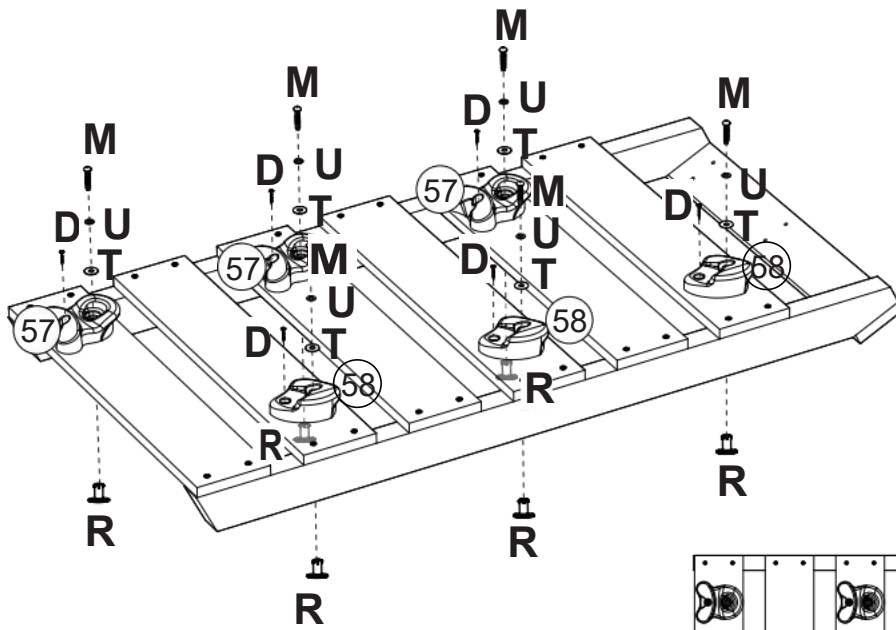
37 x 1

E x 4



Step
Étape
Paso

41



57 x 3

58 x 3

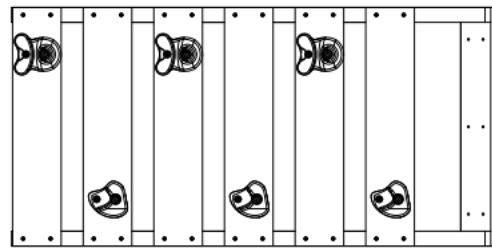
D x 6

M x 6

R x 6

T x 6

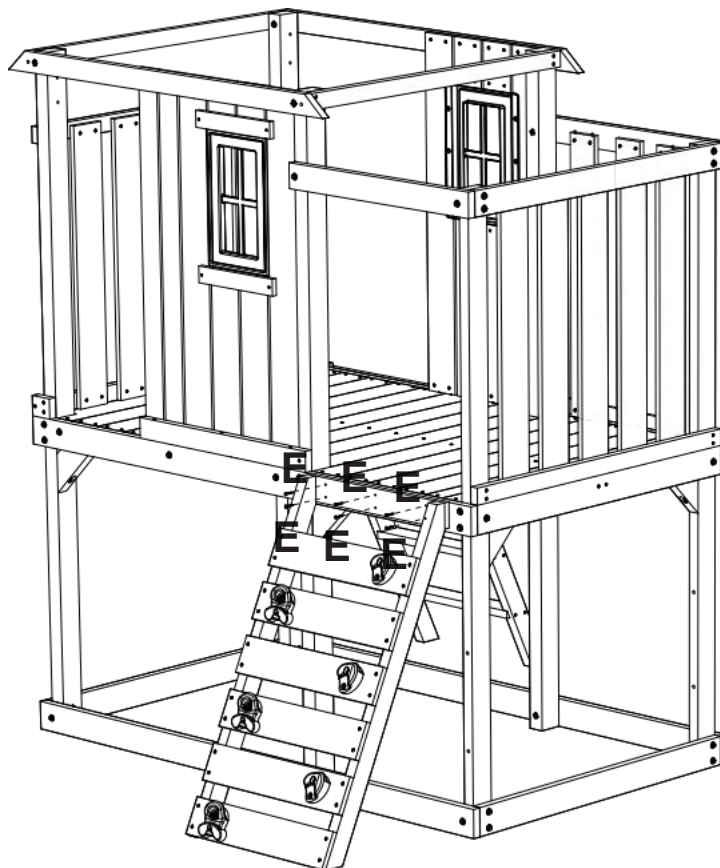
U x 6



E x 6

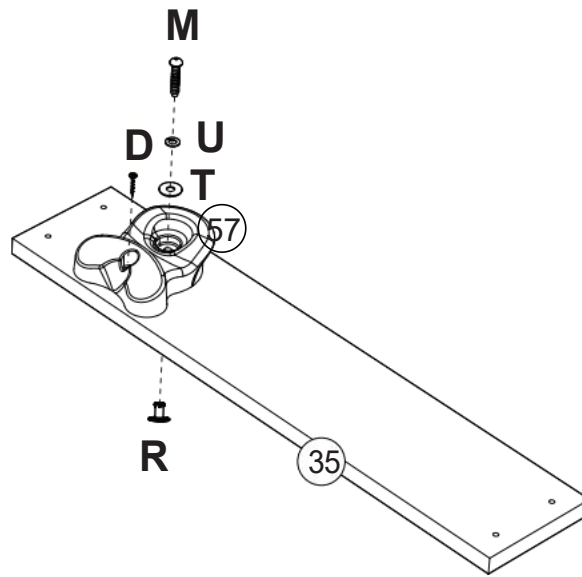
Step
Étape
Paso

42



Step
Étape
Paso

43



35 x 1

57 x 1

D x 1

M x 1

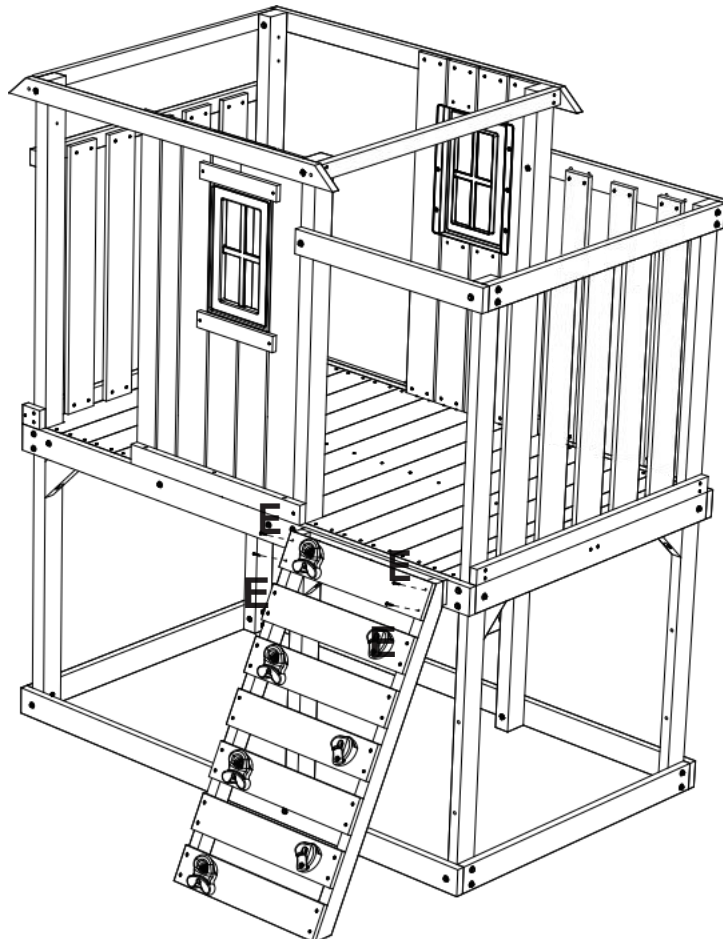
R x 1

T x 1

U x 1

Step
Étape
Paso

44



E x 4

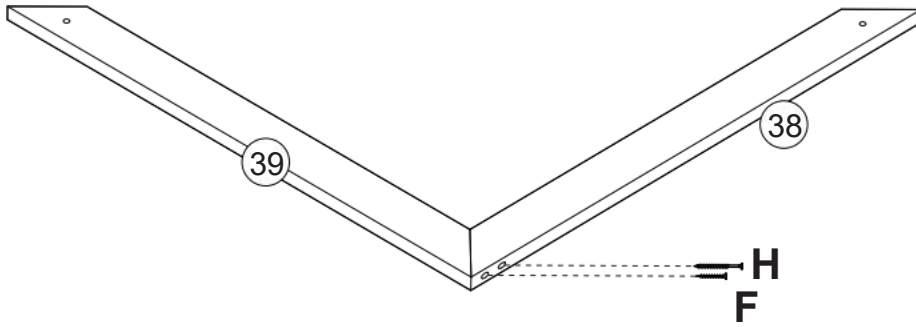
Step
Étape
Paso
45 x 2

38 x 1

39 x 1

F x 1

H x 1

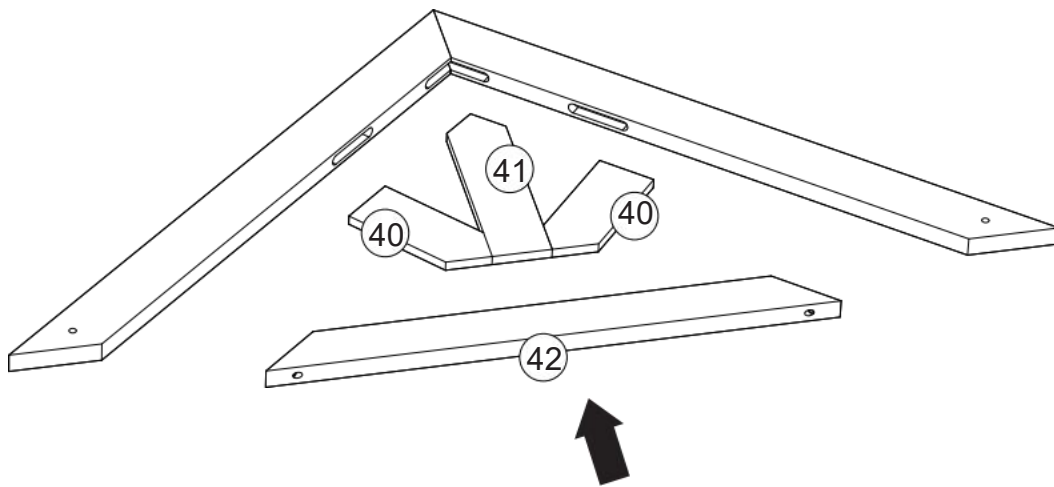


Step
Étape
Paso
46 x 2

40 x 2

41 x 1

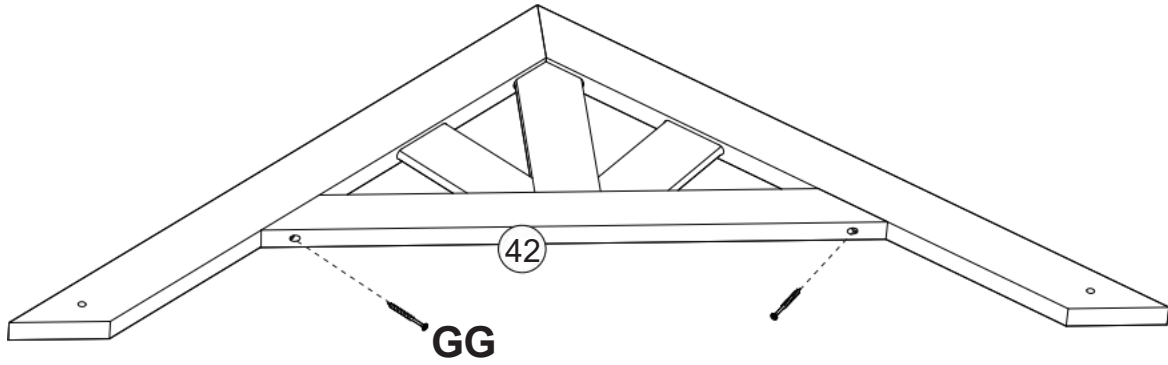
42 x 1



Step
Étape
Paso
47 x 2

42 x 1

G x 2

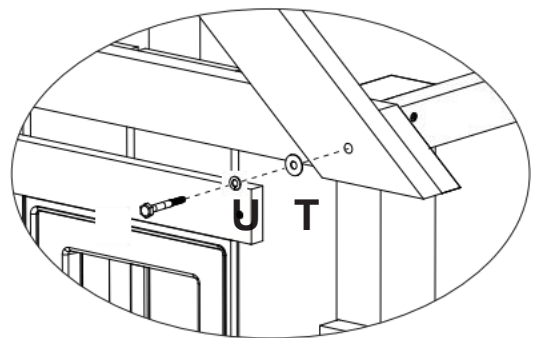
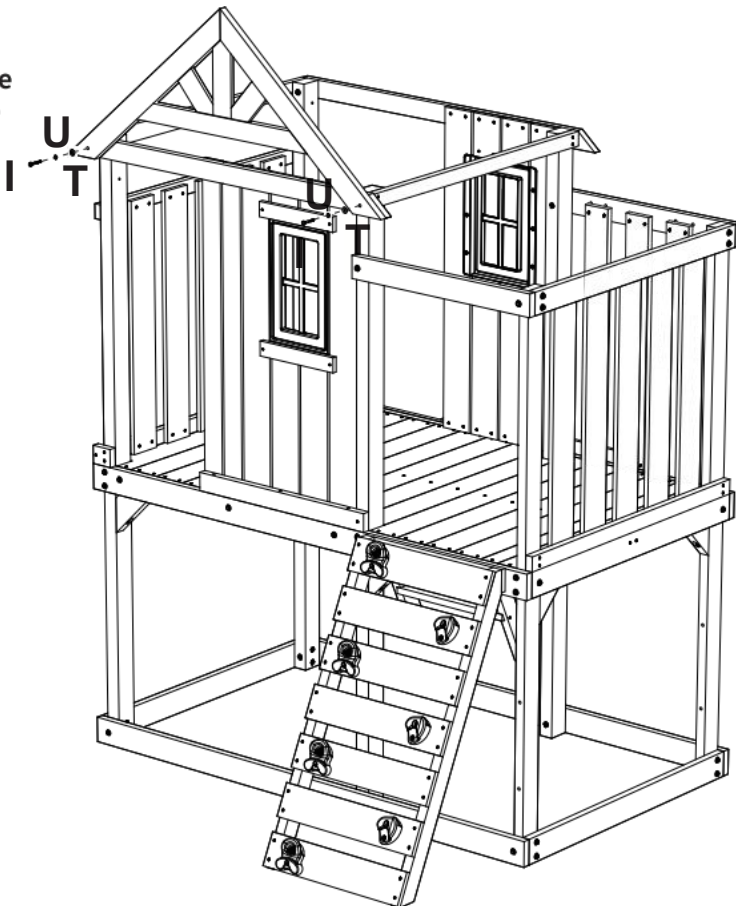


Step
Étape
Paso
48

I x 2

T x 2

U x 2



Step
Étape
Paso

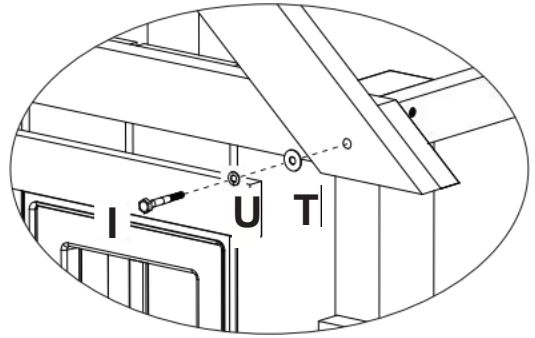
49



ⓐ x 2

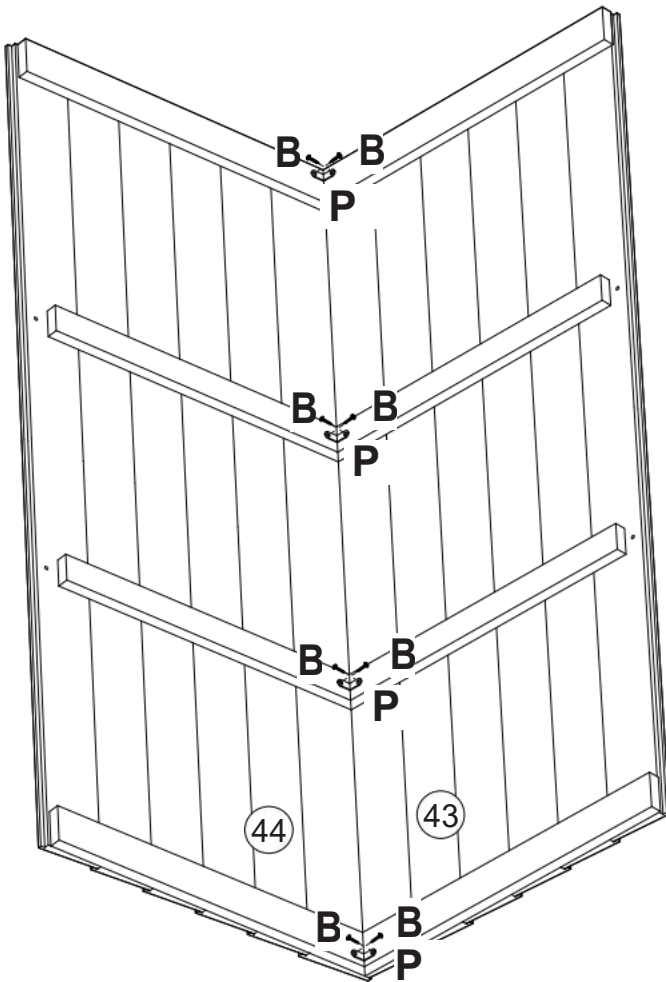
ⓑ x 2

ⓒ x 2



Step
Étape
Paso

50

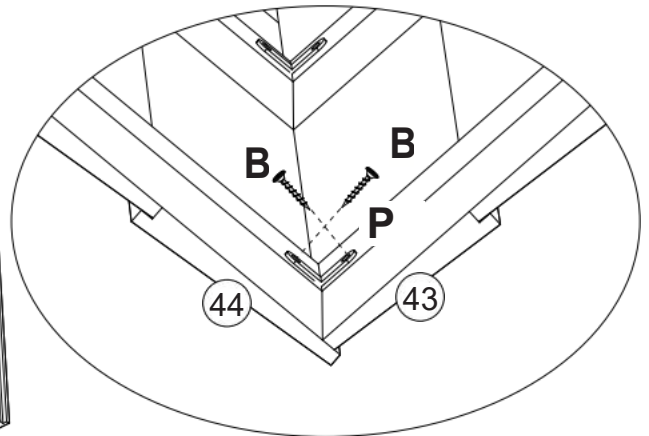


Ⓓ x 1

Ⓔ x 1

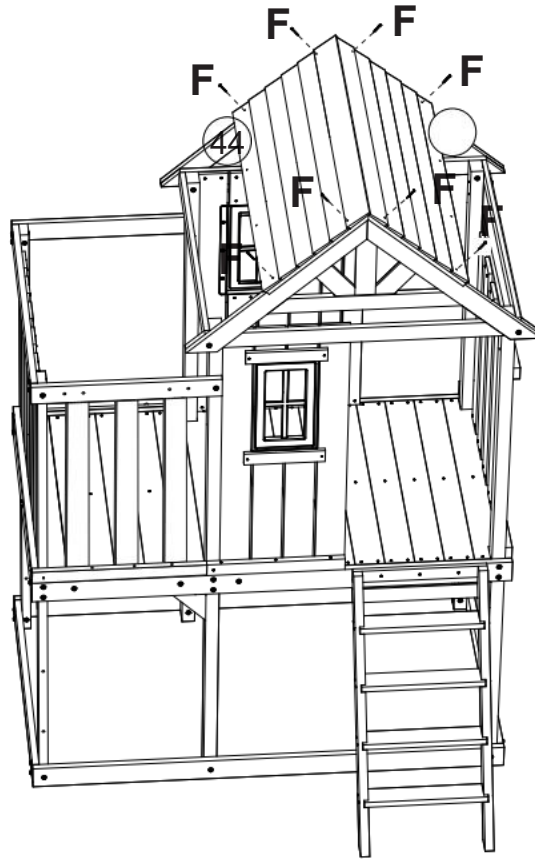
ⓓ x 8

ⓔ x 4



Step
Étape
Paso

51



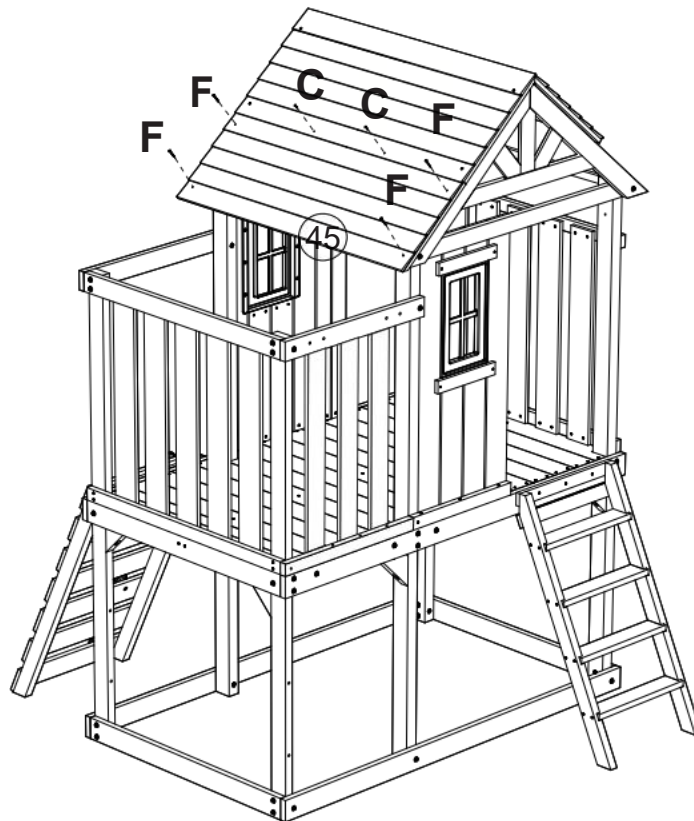
43 x 1

44 x 1

F x 8

Step
Étape
Paso

52



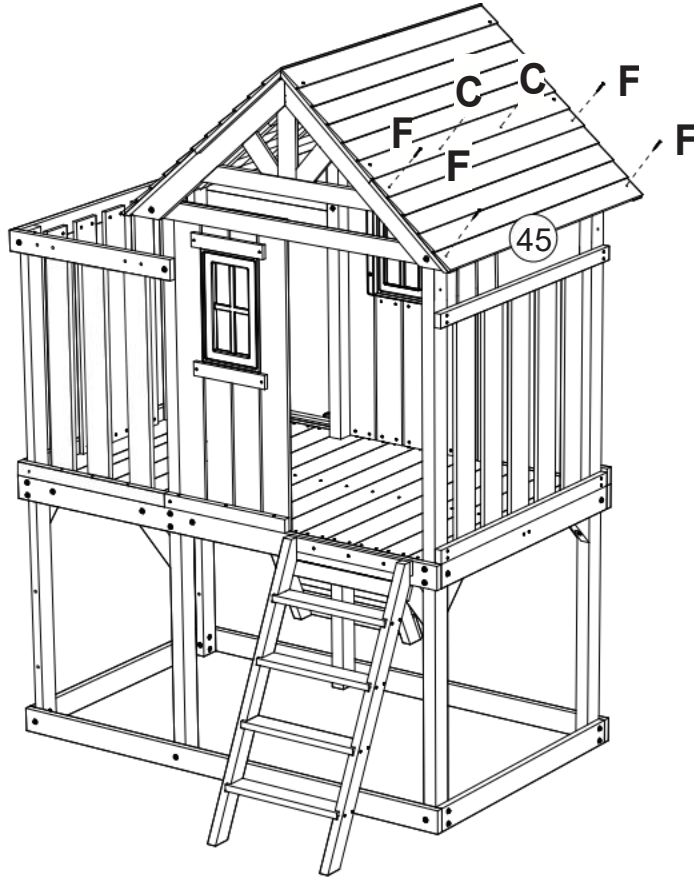
45 x 1

C x 2

F x 4

Step
Étape
Paso

53



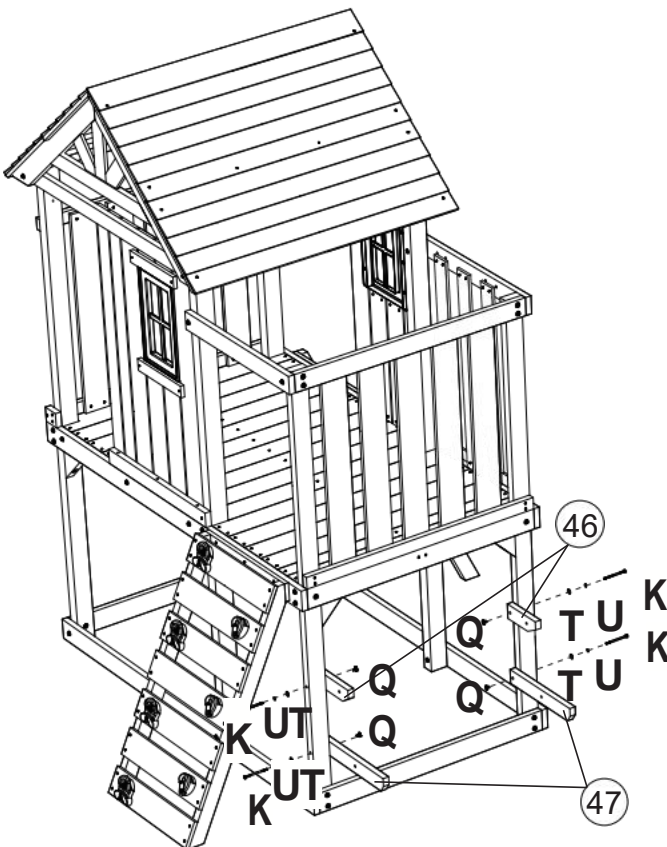
45 x 1

C x 2

F x 4

Step
Étape
Paso

54



46 x 2

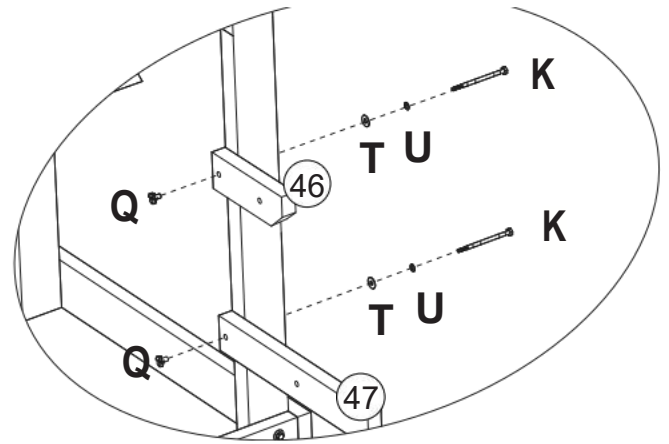
47 x 2

K x 4

Q x 4

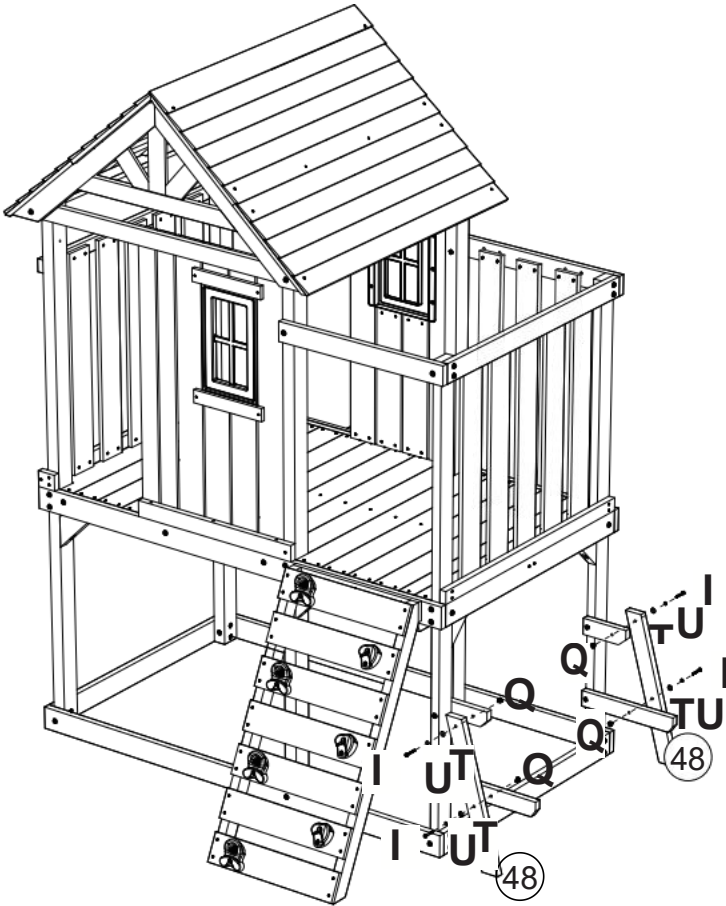
T x 4

U x 4



Step
Étape
Paso

55



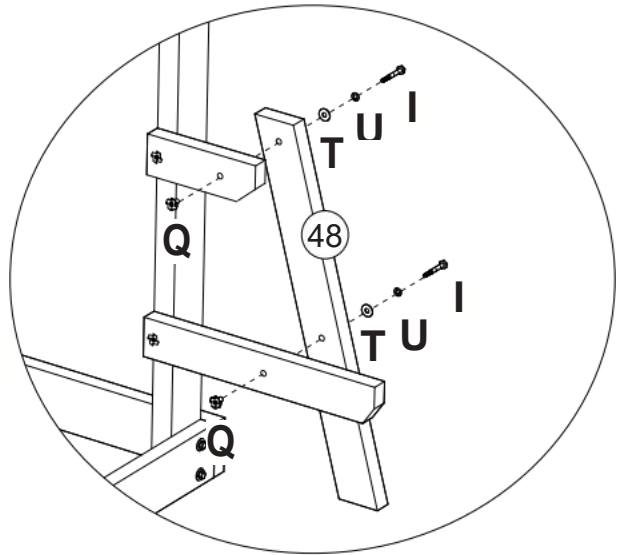
48 x 2

I x 4

Q x 4

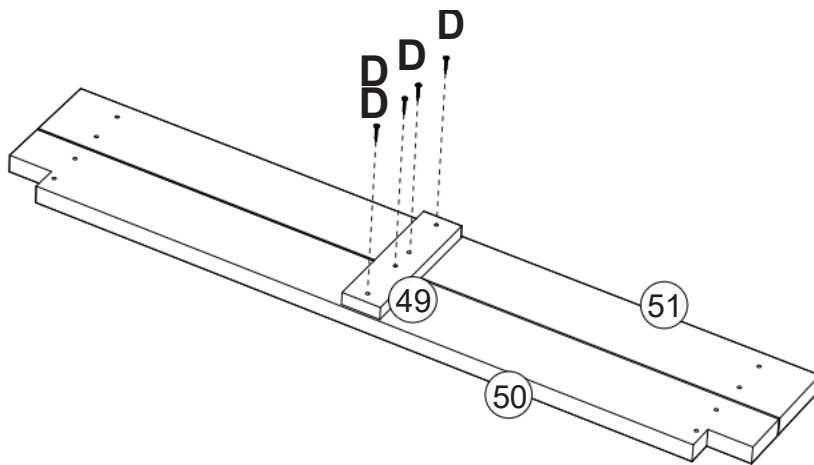
T x 4

U x 4



Step
Étape
Paso

56



49 x 1

50 x 1

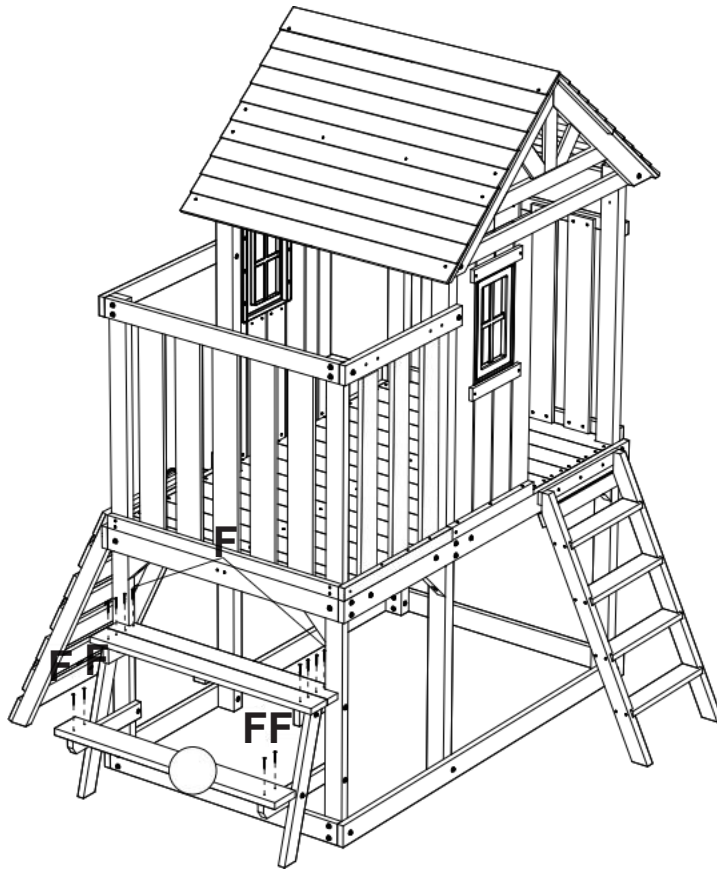
51 x 1

D x 4



Step
Étape
Paso

57

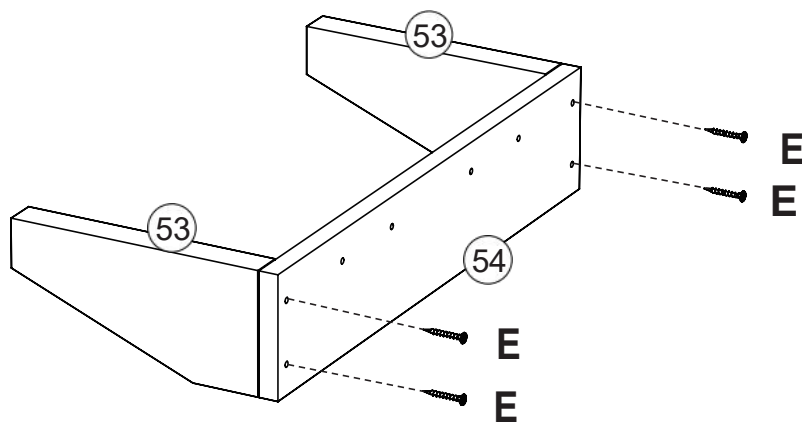


52 x 1

F x 12

Step
Étape
Paso

58



53 x 2

54 x 1

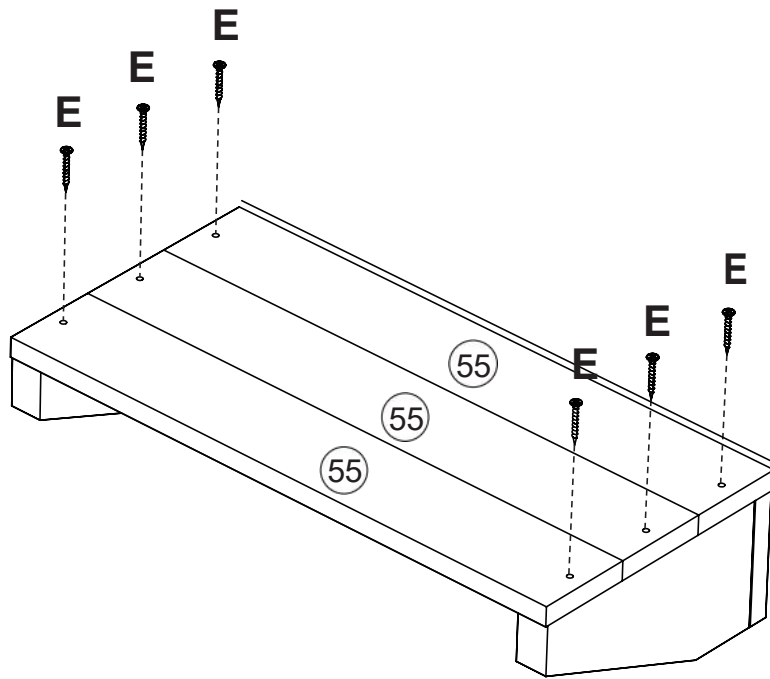
E x 4

Step
Étape
Paso

59

55 x 3

E x 6

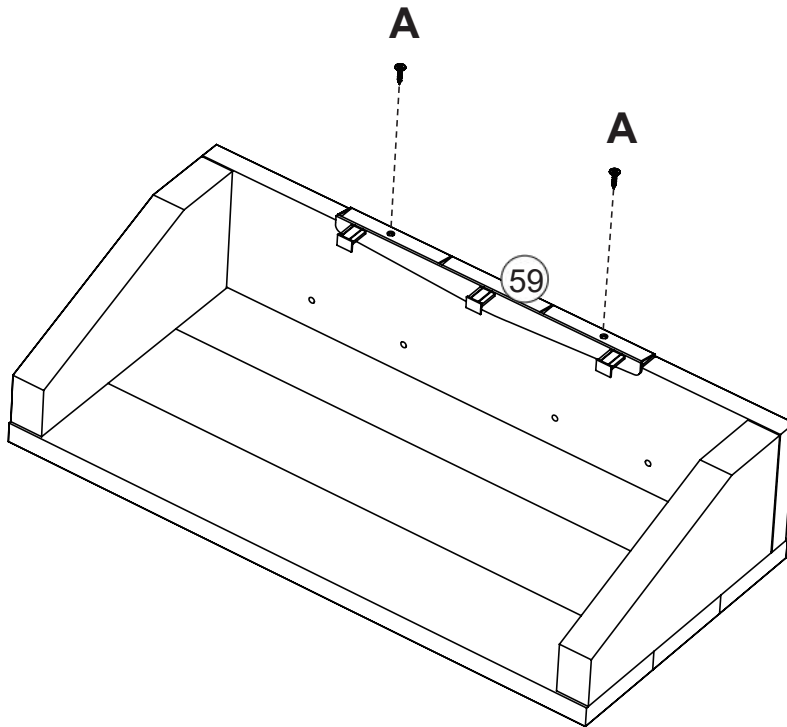


Step
Étape
Paso

60

59 x 1

A x 2



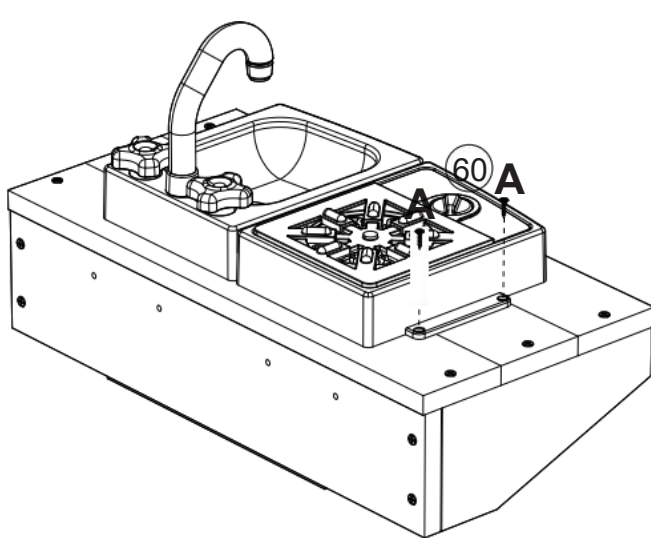
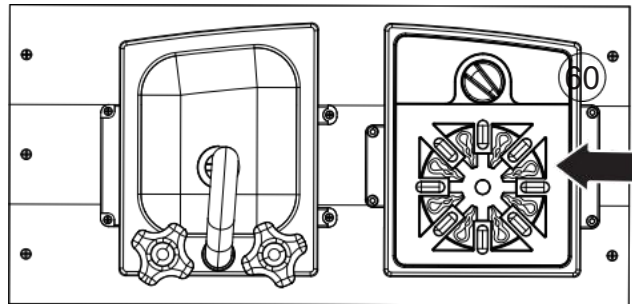
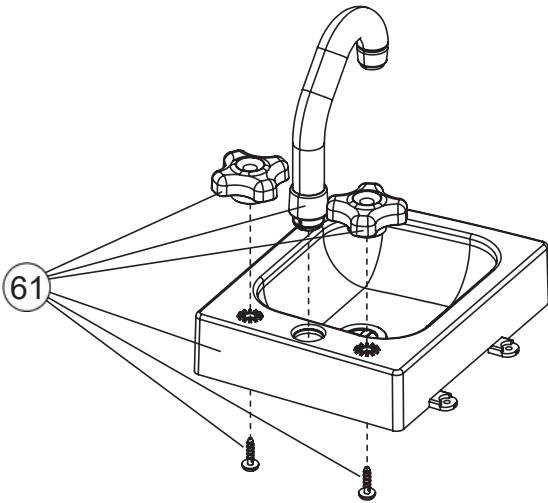
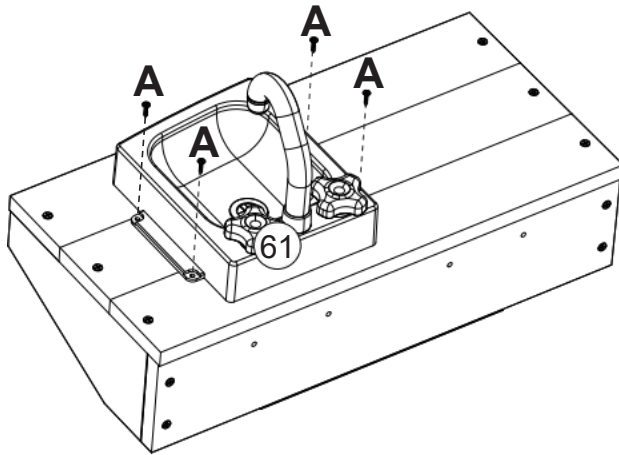
Step
Étape
Paso

61

60 x 1

61 x 1

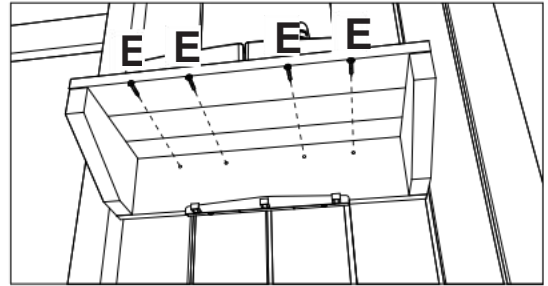
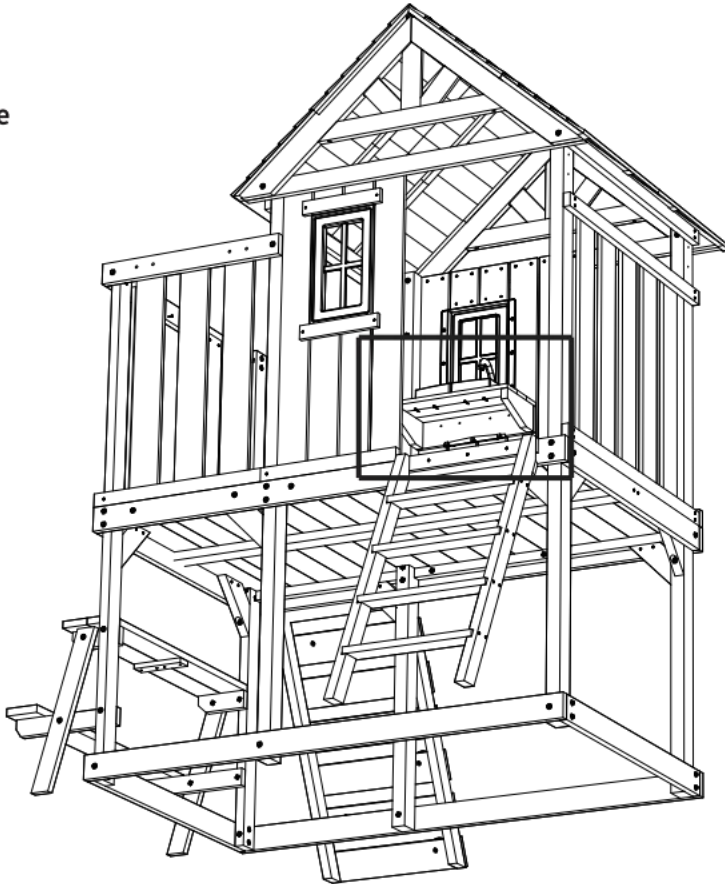
A x 6



Ⓔ x 4

Step
Étape
Paso

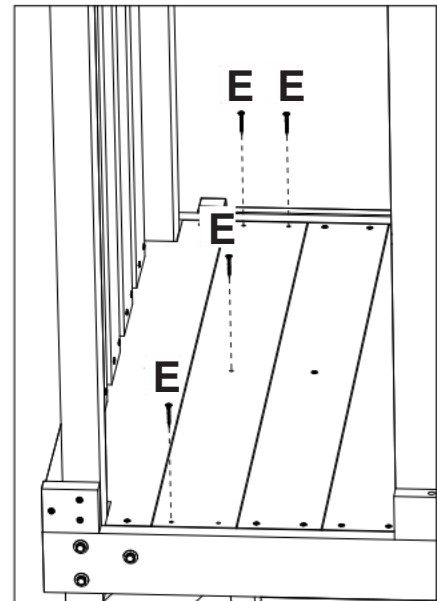
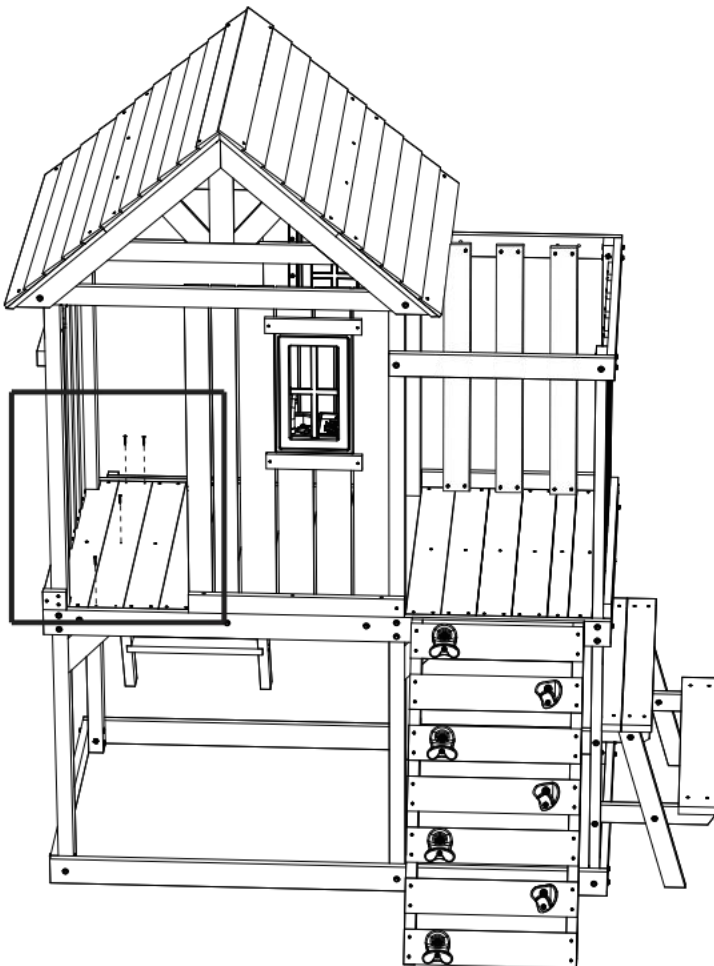
62



Ⓔ x 4

Step
Étape
Paso

63



Step
Étape
Paso

64



62 x 1

F x 2

S x 2

Step
Étape
Paso

65

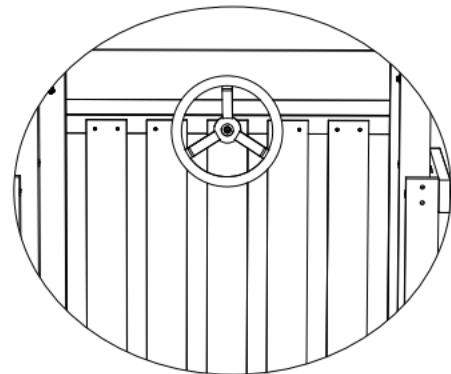
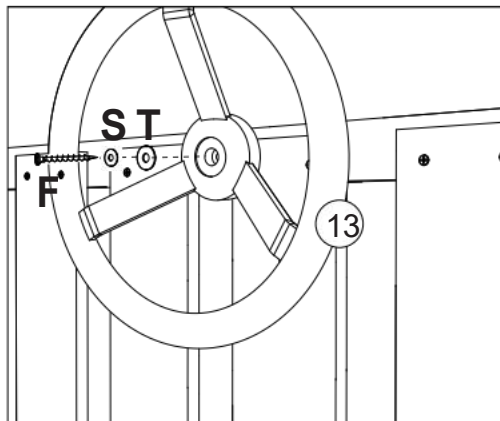


13 x 1

F x 1

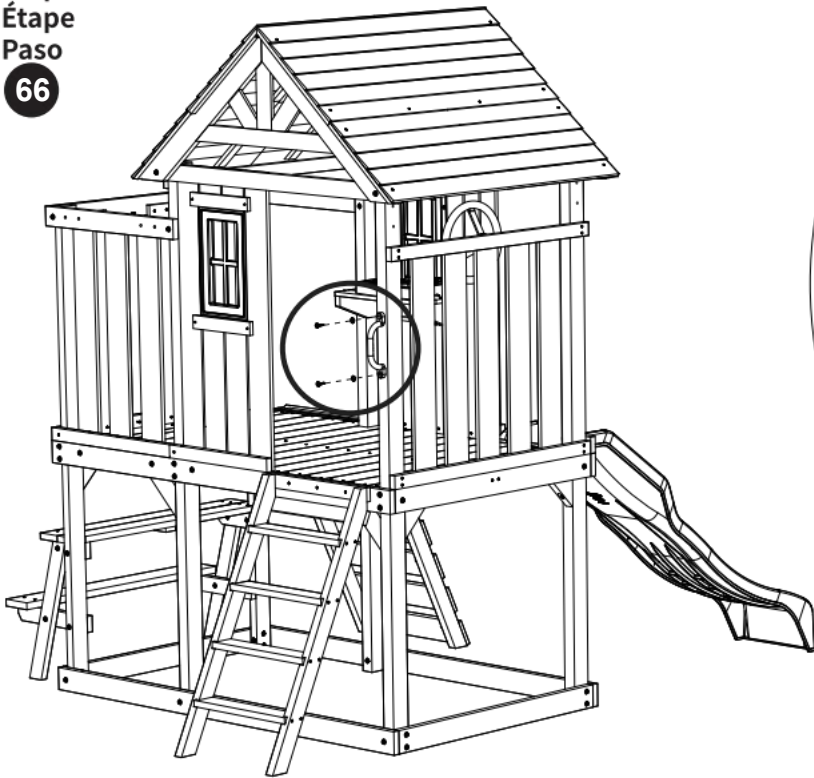
S x 1

T x 1



Step
Étape
Paso

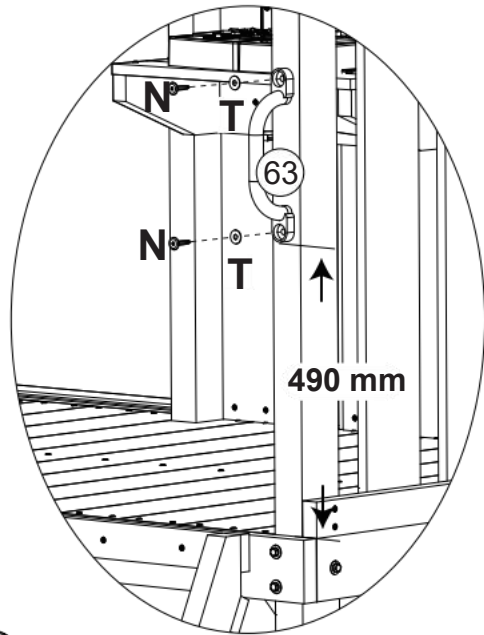
66



63 x 1

N x 2

T x 2



Step
Étape
Paso

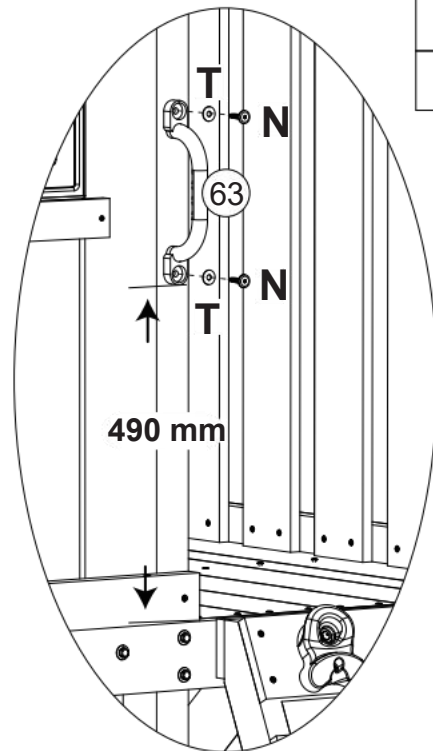
67



63 x 1

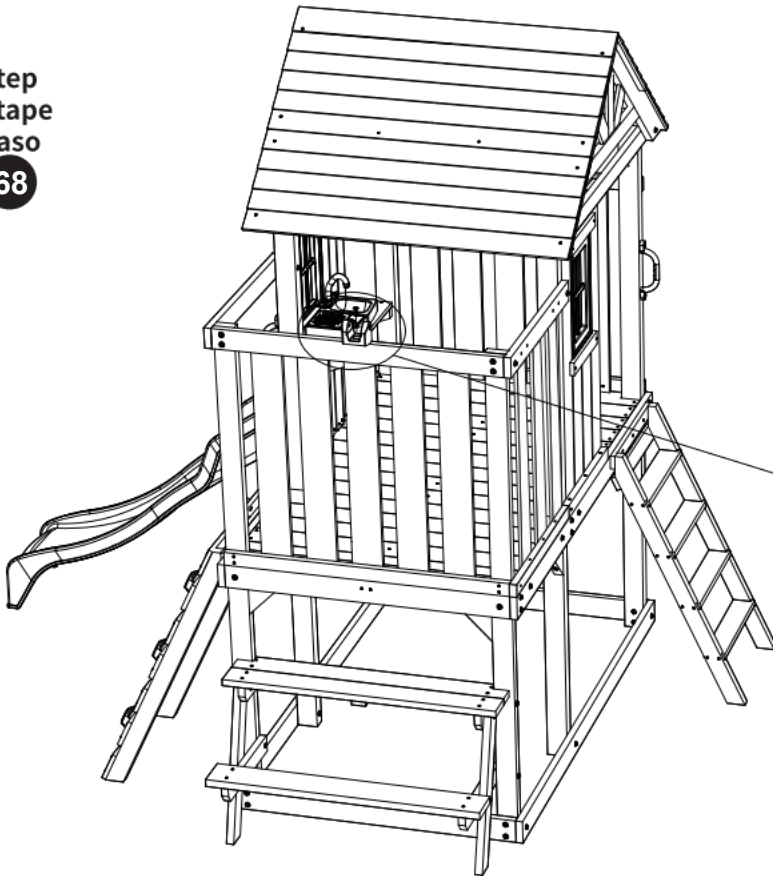
N x 2

T x 2



Step
Étape
Paso

68

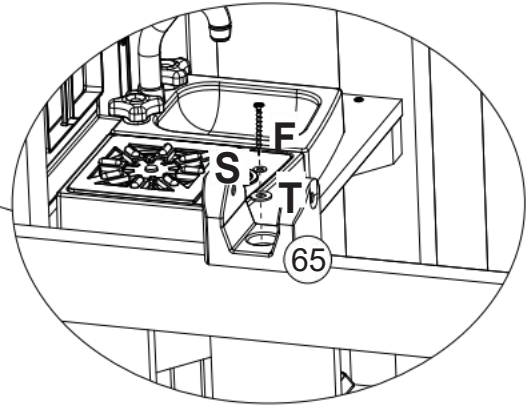


65 x 1

F x 1

S x 1

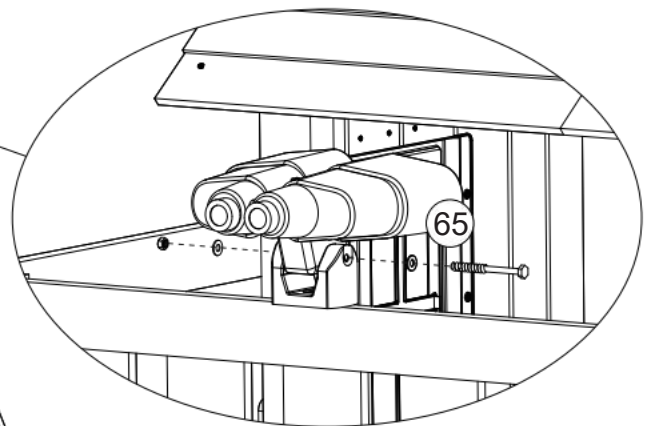
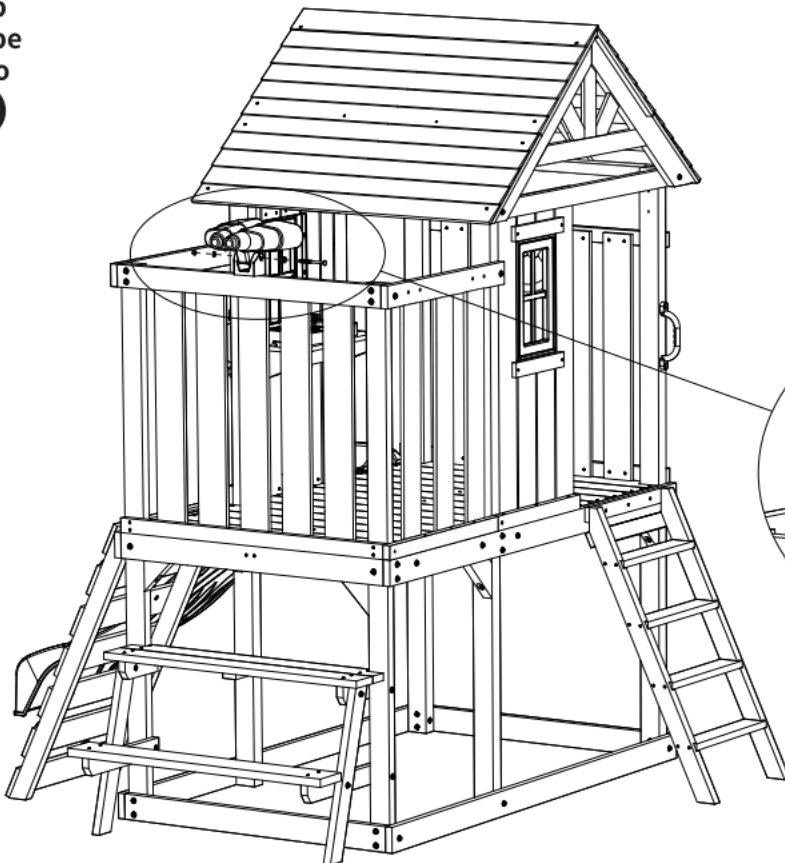
T x 1



65 x 1

Step
Étape
Paso

69



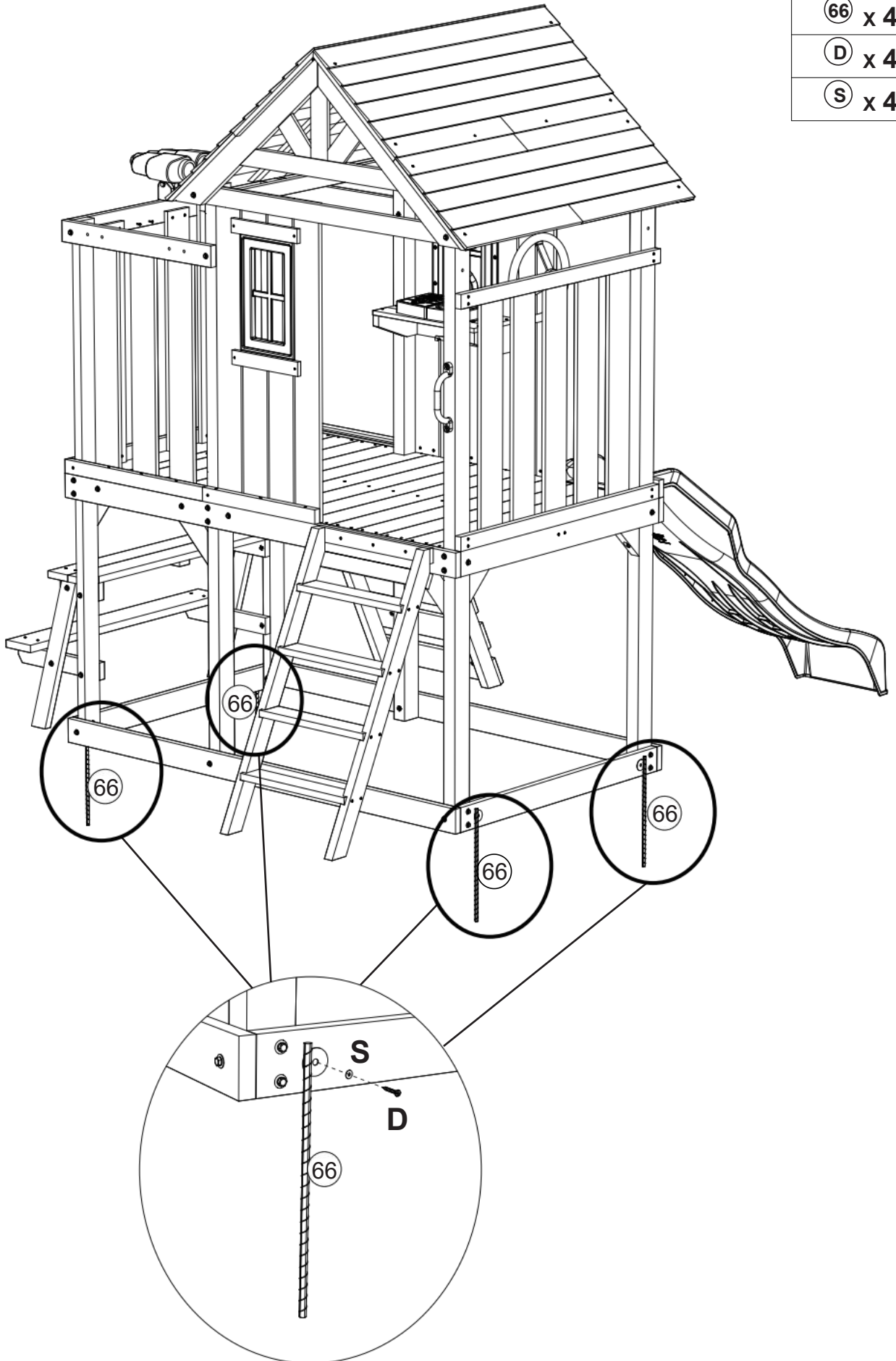
Step
Étape
Paso

70

66 x 4

D x 4

S x 4



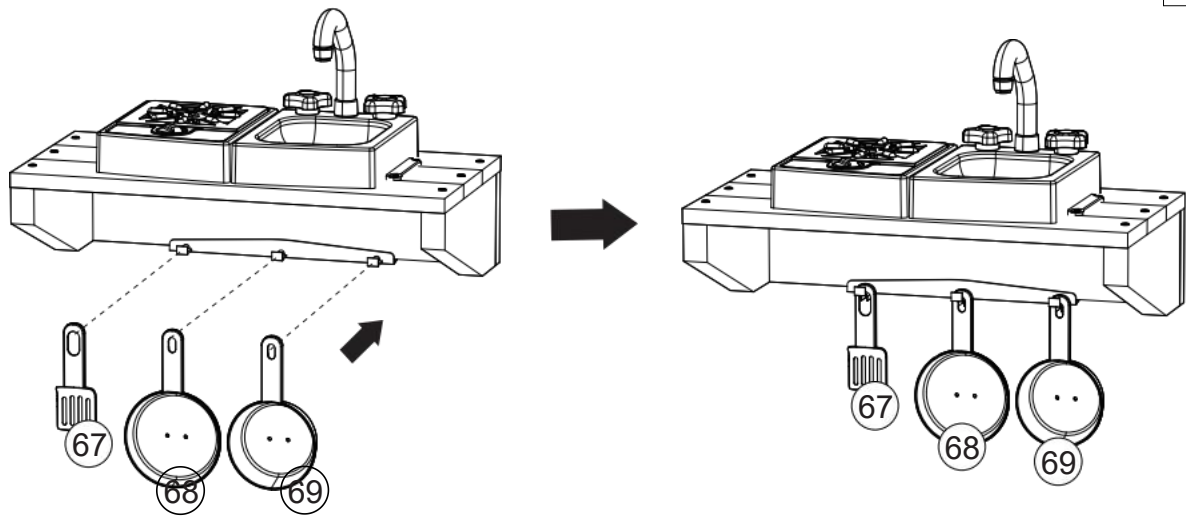
Step
Étape
Paso

71

67 x 1

68 x 1

69 x 1



MAINTENANCE

1. Clean and disinfect your product frequently to keep it clean and hygienic.
2. Check the reliability of the parts before use.

Manufacturer: Heze Jingran Woodware Co., Ltd.

Address: Zhuangzhai Town Industrial Park, Cao County, Shandong Province

EC REP: E-CrossStu GmbH.

Mainzer Landstr.69, 60329 Frankfurt am Main.

UK REP: YH CONSULTING LIMITED.

C/O YH Consulting Limited Office 147, Centurion House, London Road, Staines-upon-Thames, Surrey, TW18 4AX

Imported to AUS: SIHAO PTY LTD.

1 ROKEVA STREETEASTWOOD NSW 2122 Australia

Imported to USA: Sanven Technology Ltd.

Suite 250, 9166 Anaheim Place, Rancho Cucamonga, CA 91730

VEVOR[®]

STERK GEREEDSCHAP, HALF PRIJS

**Technische ondersteuning en E-
garantiecertificaat www.vevor.com/support**

VEVOR^R

TOUGH TOOLS. HALF PRICE

Teknisk support och E-garanticertifikat www.vevor.com/support

STUGA LEKSTUGA

MODELL: TLG92008

Vi fortsätter att vara engagerade i att tillhandahålla dig verktyg med konkurrenskraftig pris.

"Save Halva", "Halva priset" eller andra liknande uttryck Använd av bara oss representerar en uppskattning av besparingar du kan ha nytta av att köpa vissa verktyg med oss jämfört till de största

topp varumärken och gör inte innebär nödvändigtvis att täcka alla kategorier av verktyg erbjuds förbi oss. Du

är vänligt påminns om att kontrollera noggrant när du är lägga en beställning med oss om du är

faktiskt sparar hälften i jämförelse med högsta majoren märken.

VEVOR^R

TOUGH TOOLS, HALF PRICE

CABIN PLAYHOUSE

MODELL: TLG92008



NEED HELP? CONTACT US!

Ha produktfrågor? Behöver du teknisk stöd? Snälla känna fri till Kontakt oss:

Teknisk Stöd och E-garanti Certifikat
www.vevor.com/support

Detta är den ursprungliga instruktionen, tack läsa Allt manuellt instruktioner noggrant innan drift. VEVOR reserverar en klar tolkning av vår användarmanual. Utseendet på produkt skall vara ämne till de produkt du fått. Förlåt oss att vi inte kommer att göra det underrätta du igen om det är några teknologi eller programvara uppdateringar på vår produkt.

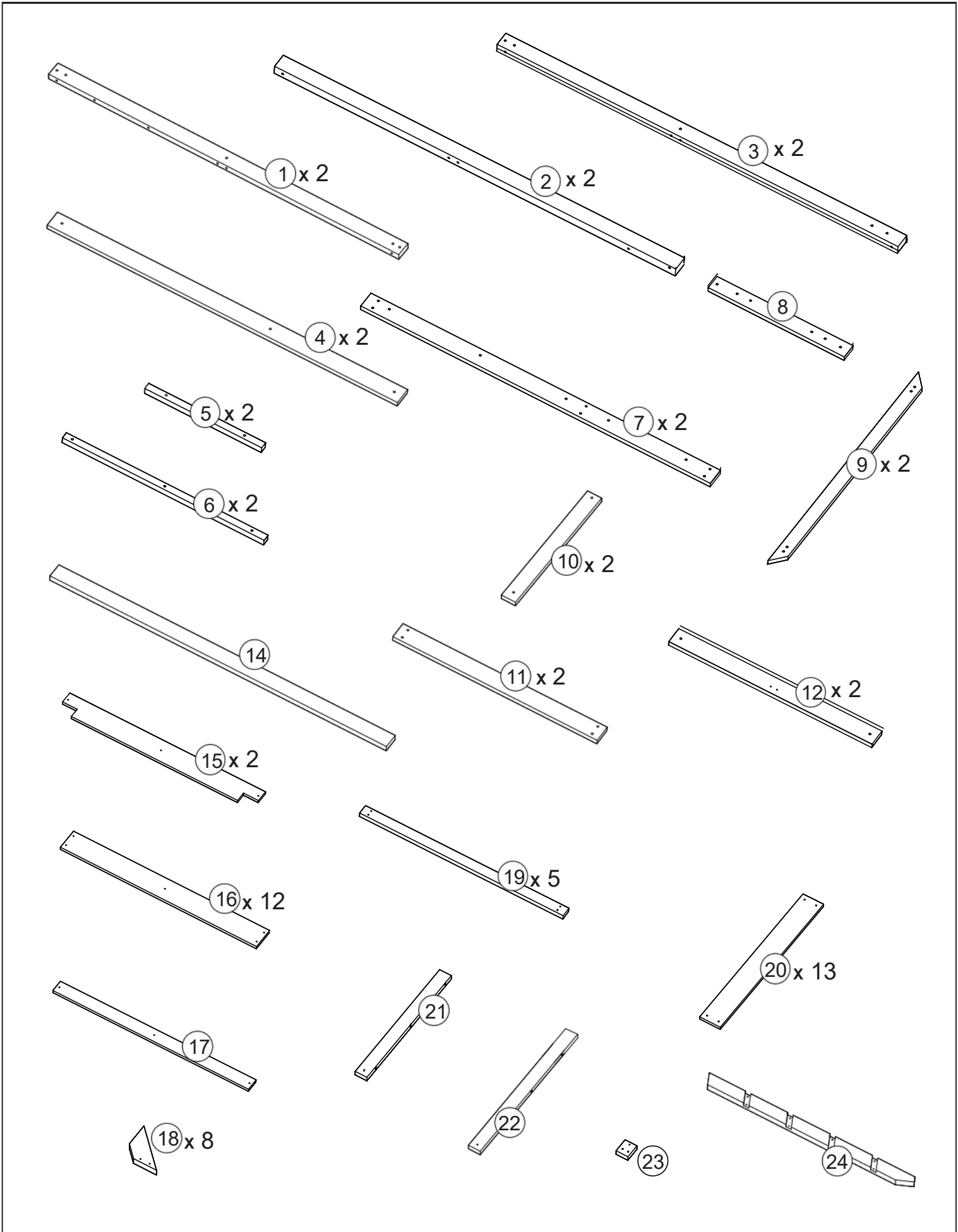
SAFETY INSTRUCTIONS

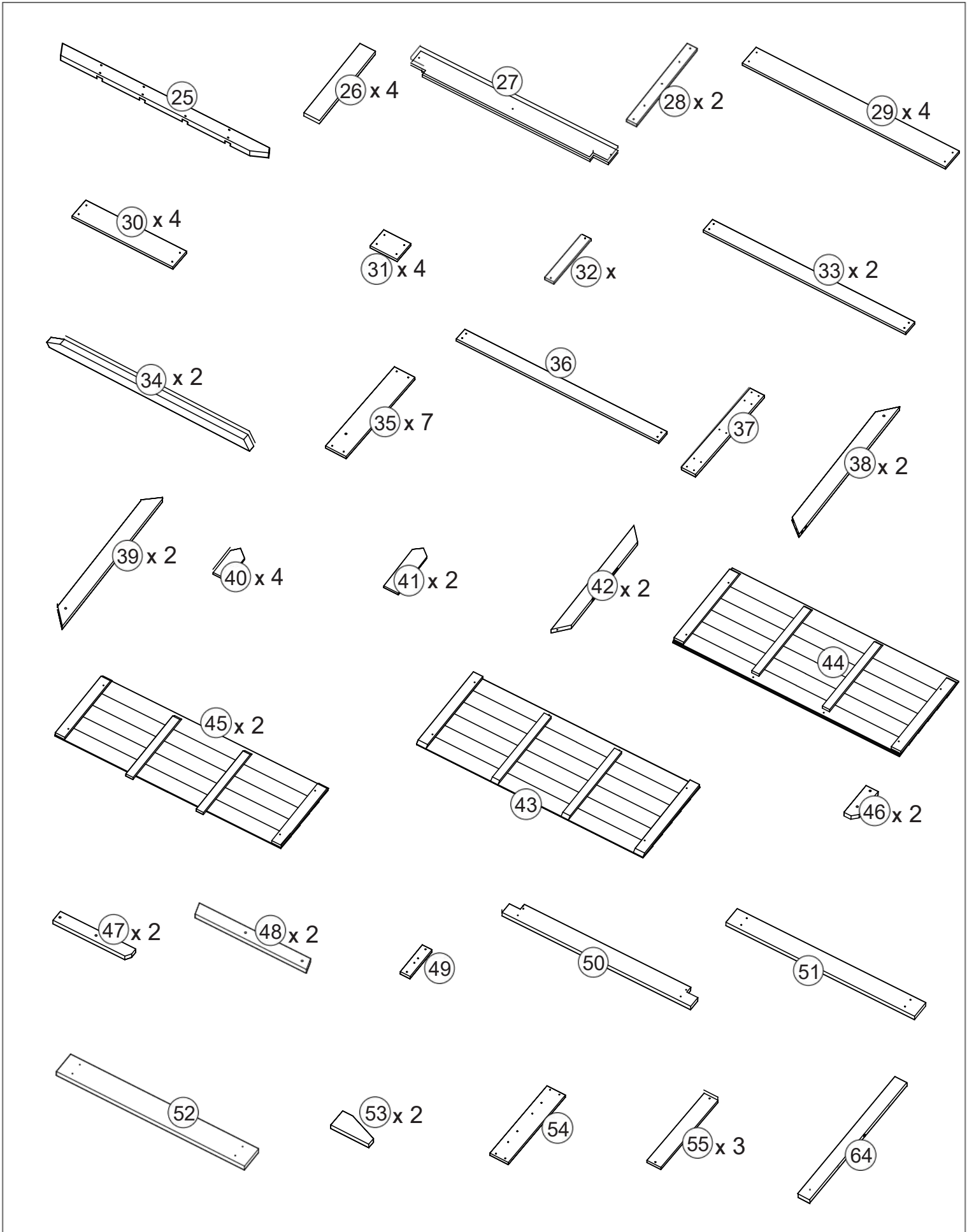
WARNING:

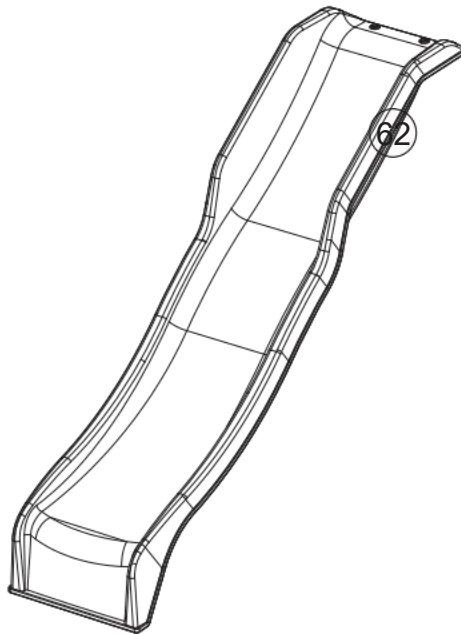
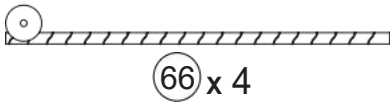
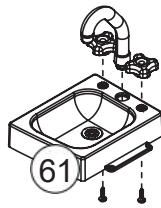
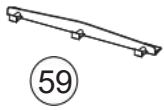
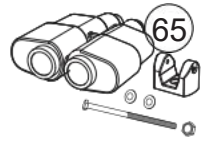
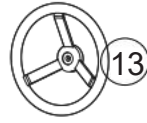
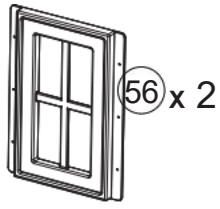
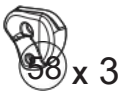
1. This manual lists the contents included in the box. Please take time to identify the hardware as well as the individual components of the product.
2. As you unpack and prepare for assembly, place the contents on a carpeted or padded area to protect them from damage.
3. Small parts present in unassembled state. It's a choking hazard!
4. Please follow the assembly instructions closely. Improper assembly can result in personal or property damage.
5. Assembled by an adult. In the process of play, parents should always accompany the children's side.
6. Do not install it in a dark, damp place.
7. Put it in a place with good ventilation.
8. Clean and disinfect your product frequently to keep it clean and hygienic.
9. Do not overload.









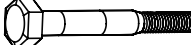
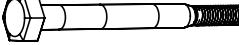
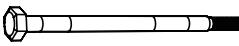
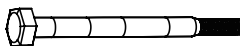

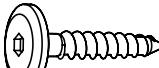
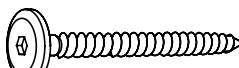

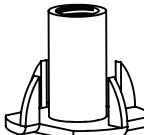
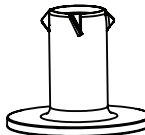
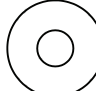
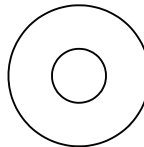
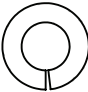

MODEL AND PARAMETERS

Model	TLG92008
Age of application	3-10 age
Product Size	2320*3100*2690mm
Material	Wood







A	x 20	B	x 8	C	x 4	D	x 39	E	x 222
									
15 mm		20 mm		20 mm		25 mm		35 mm	
F x 76	G	x 20	H x 15 jag	x 8	J	x 20			
									
45 mm		60 mm		70 mm		H2		H3	
K	x 30	L	x 6	M	x 7	N	x 4	O	x 8
									
H4		H12		PB2		WL3		WL5	
P	x 4	Q	x 64	R	x 7	S x 24		T	x 85
									
		TN1		BN1		FW3		FW1	
U	x 71		x 1						
									
LW1		D6							

Cleaning and Care:

Clean surfaces with a dry or damp soft cloth. Do not use abrasive cleaners.

Nettoyage et Entretien:

Nettoyer les surfaces avec un chiffon doux, sec ou humide. Ne pas utiliser de nettoyants abrasifs.

Limpieza y Cuidado:

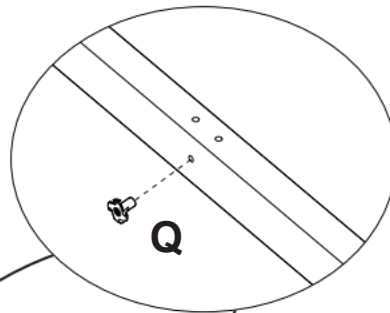
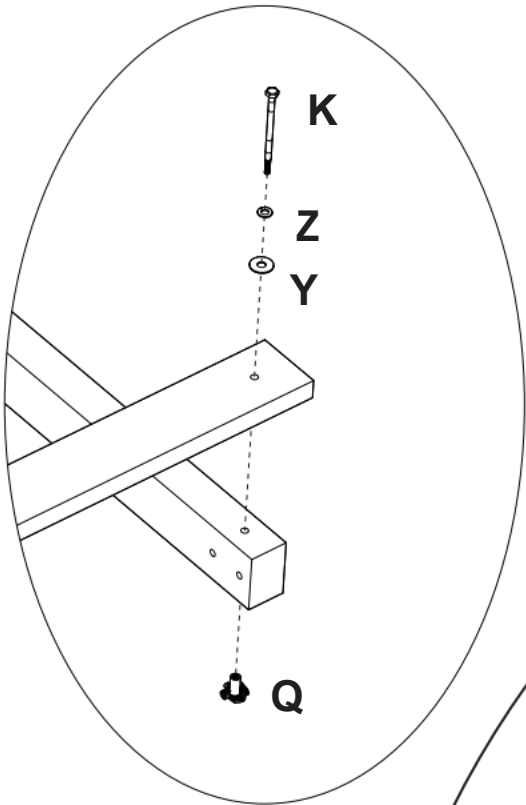
Limpie las superficies con un paño suave seco o húmedo. No use limpiadores abrasivos.

Step
Étape
Paso

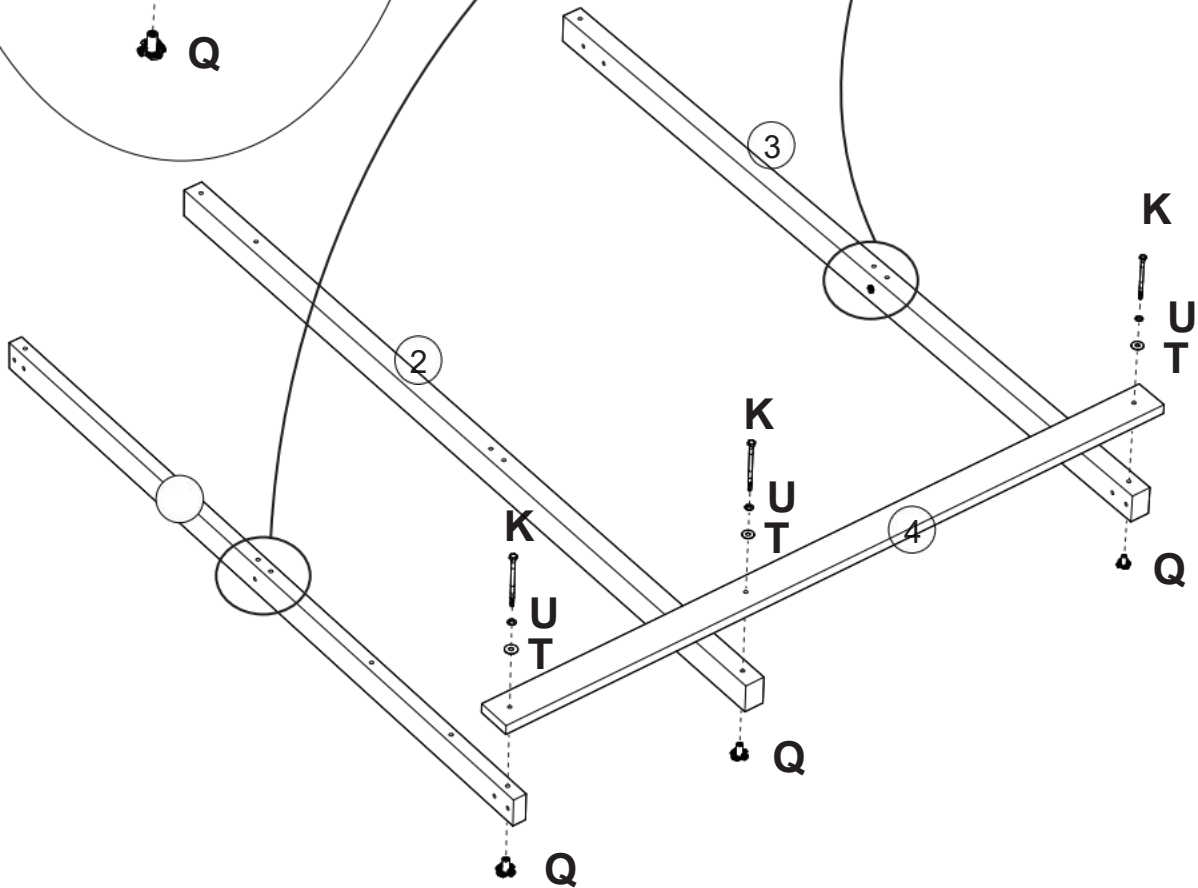
1



- ① x 1
- ② x 1
- ③ x 1
- ④ x 1
- Ⓚ x 3
- Ⓠ x 5
- Ⓣ x 3
- Ⓤ x 3

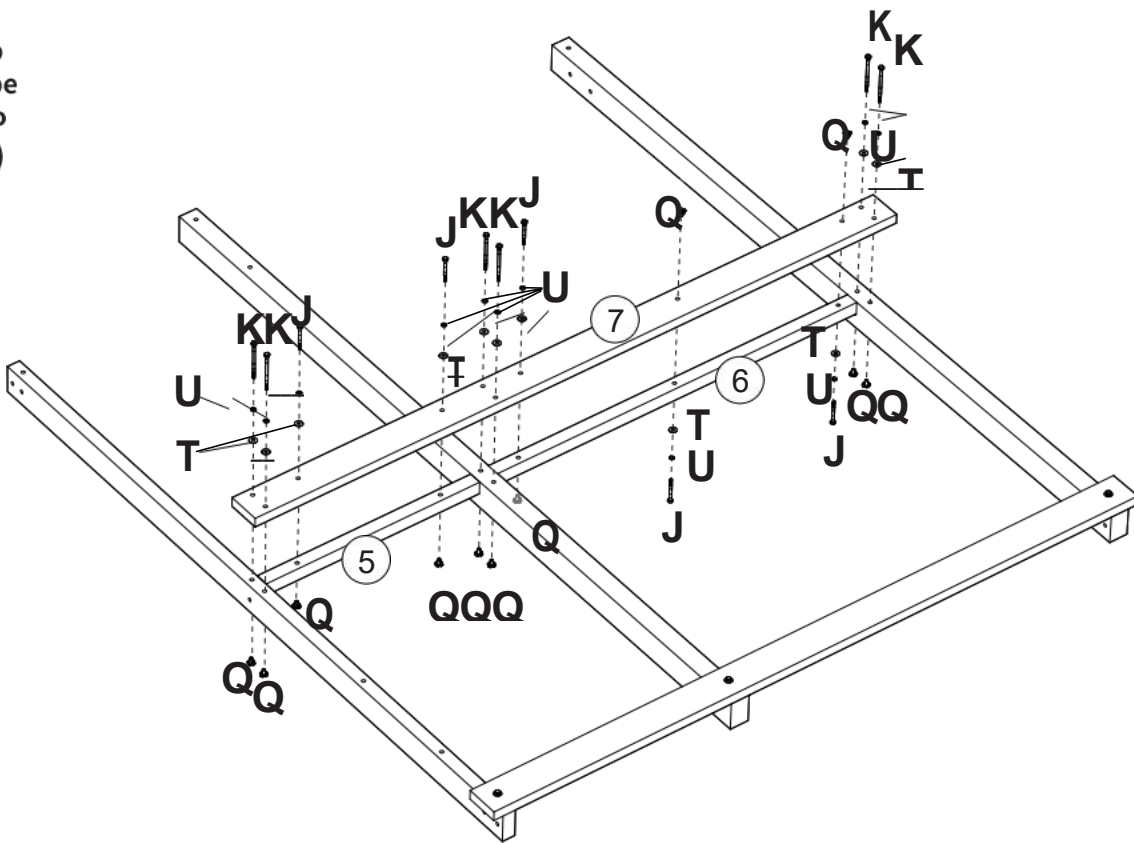


Montera T - Nötter
först med hammare !



Step
Étape
Paso

2



⑤ x 1

⑥ x 1

⑦ x 1

Ⓚ x 6

Ⓝ x 5

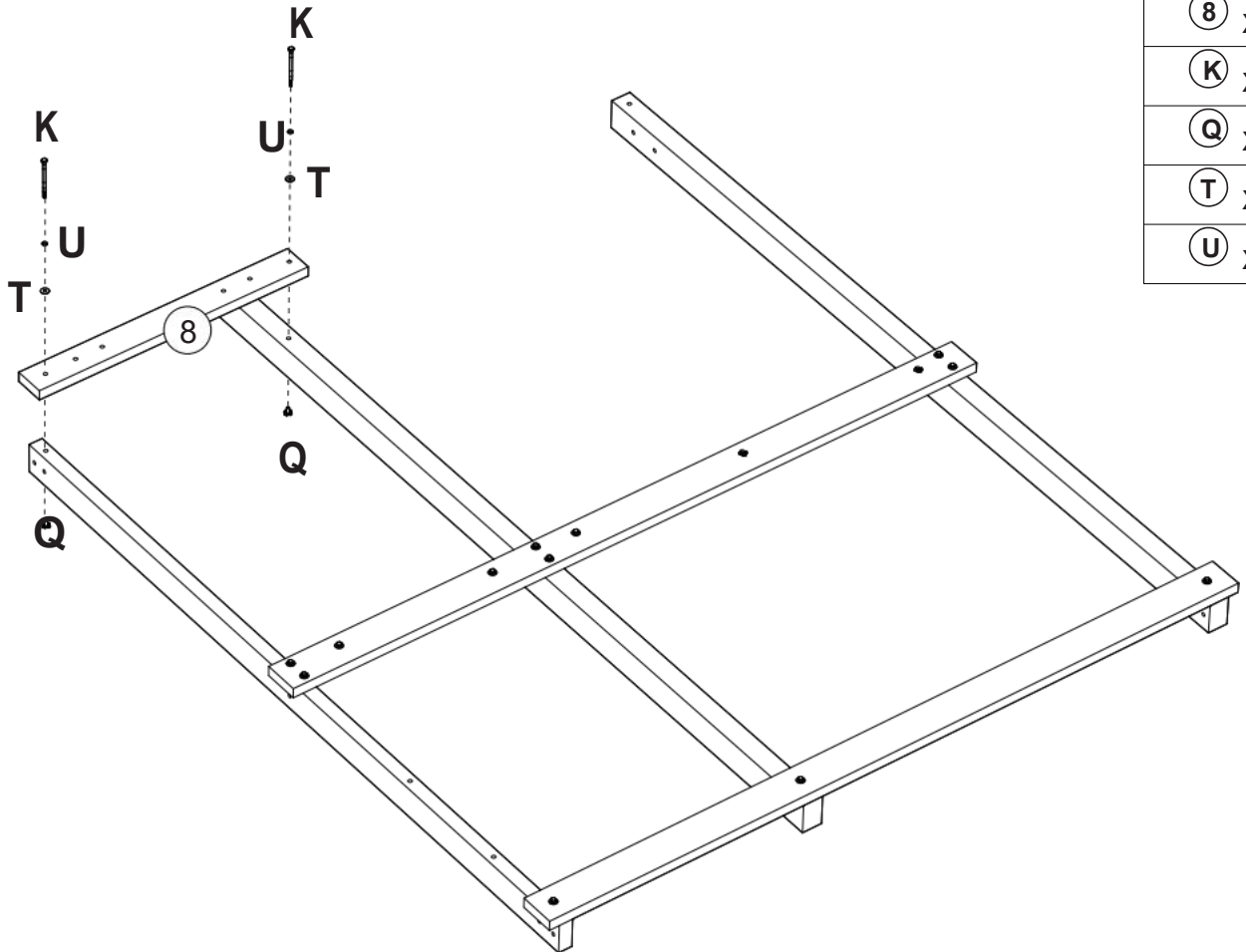
Ⓠ x 11

Ⓣ x 11

Ⓤ x 11

Step
Étape
Paso

3



⑧ x 1

Ⓚ x 2

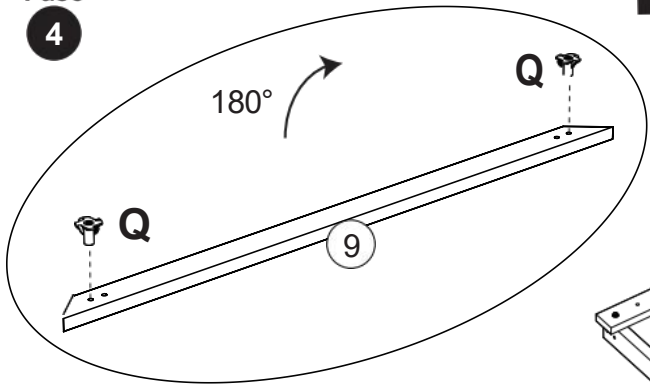
Ⓠ x 2

Ⓣ x 2

Ⓤ x 2

Step
Étape
Paso

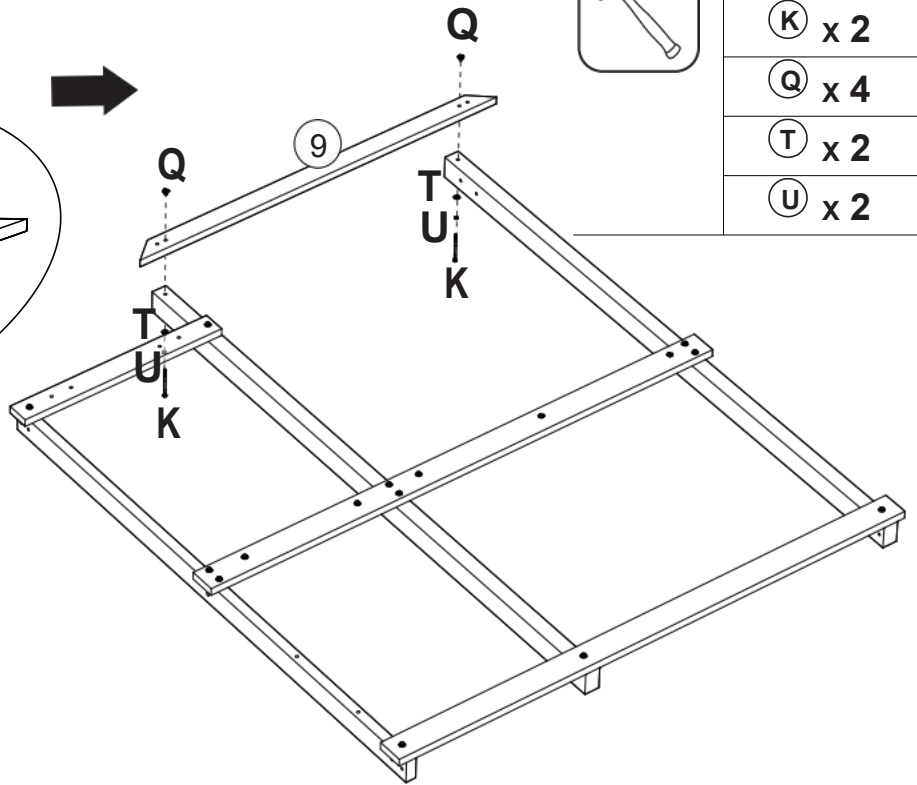
4



Assemble T-Nuts first with hammer!

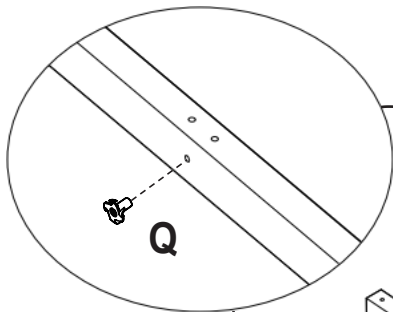


9	x 1
K	x 2
Q	x 4
T	x 2
U	x 2



Step
Étape
Paso

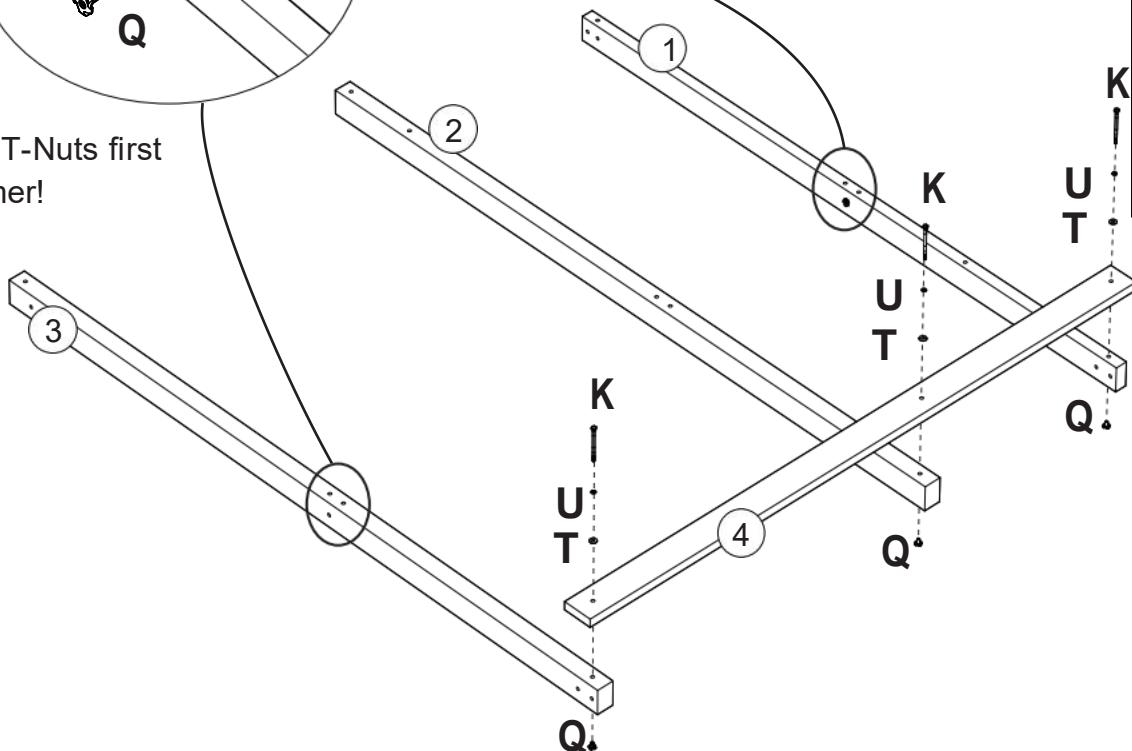
5



Assemble T-Nuts first with hammer!

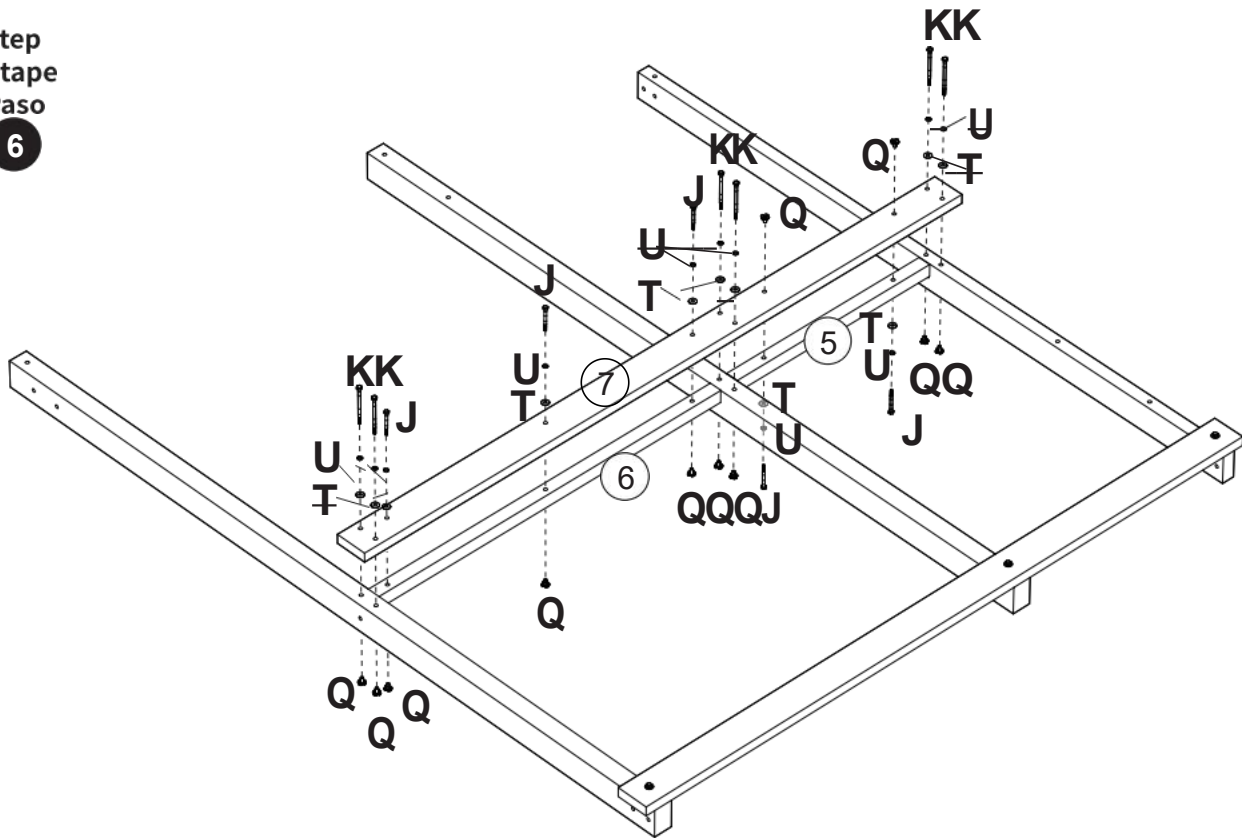


1	x 1
2	x 1
3	x 1
4	x 1
K	x 3
Q	x 5
T	x 3
U	x 3



Step
Étape
Paso

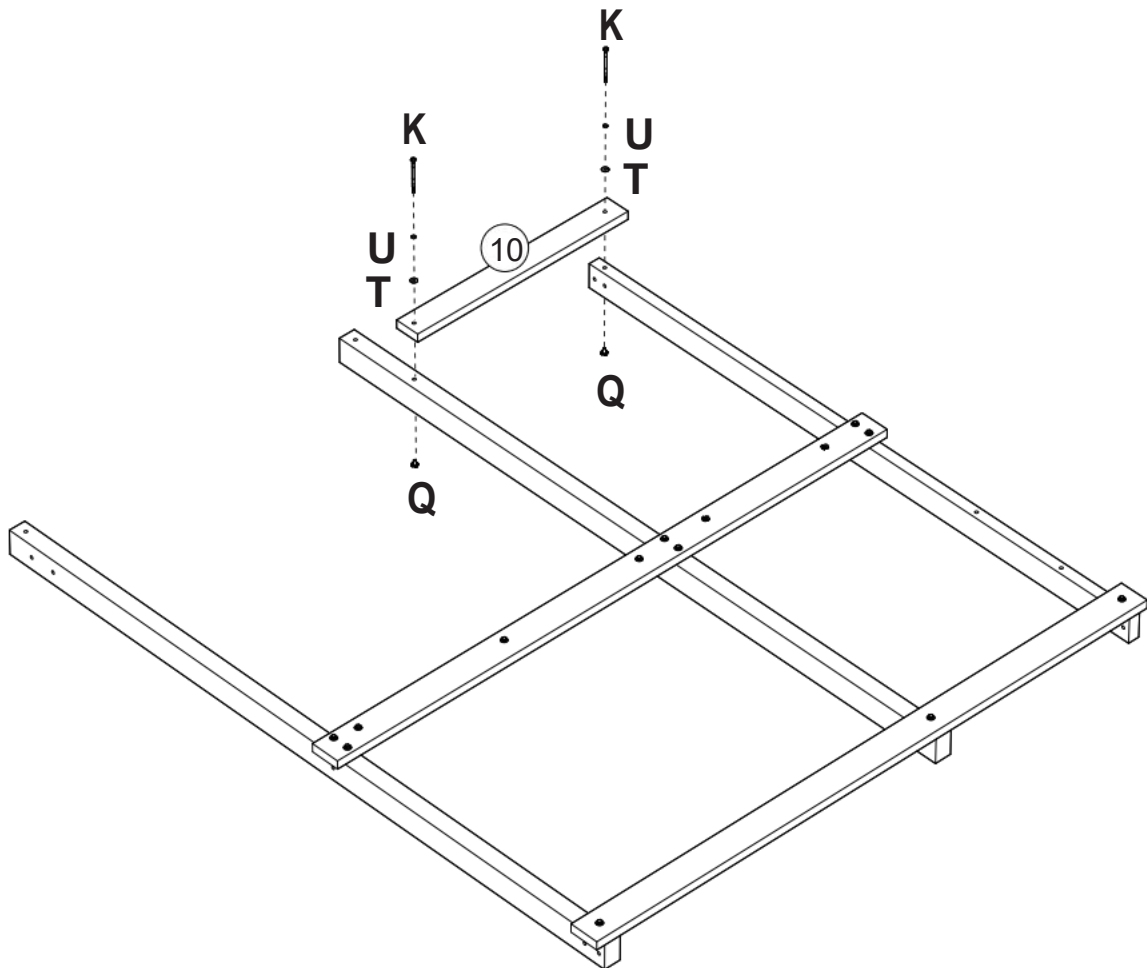
6



- ⑤ x 1
- ⑥ x 1
- ⑦ x 1
- Ⓚ x 6
- Ⓝ x 5
- Ⓠ x 11
- Ⓣ x 11
- Ⓤ x 11

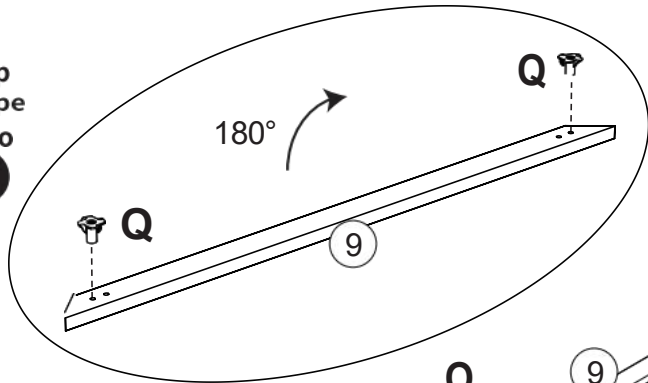
Step
Étape
Paso

7

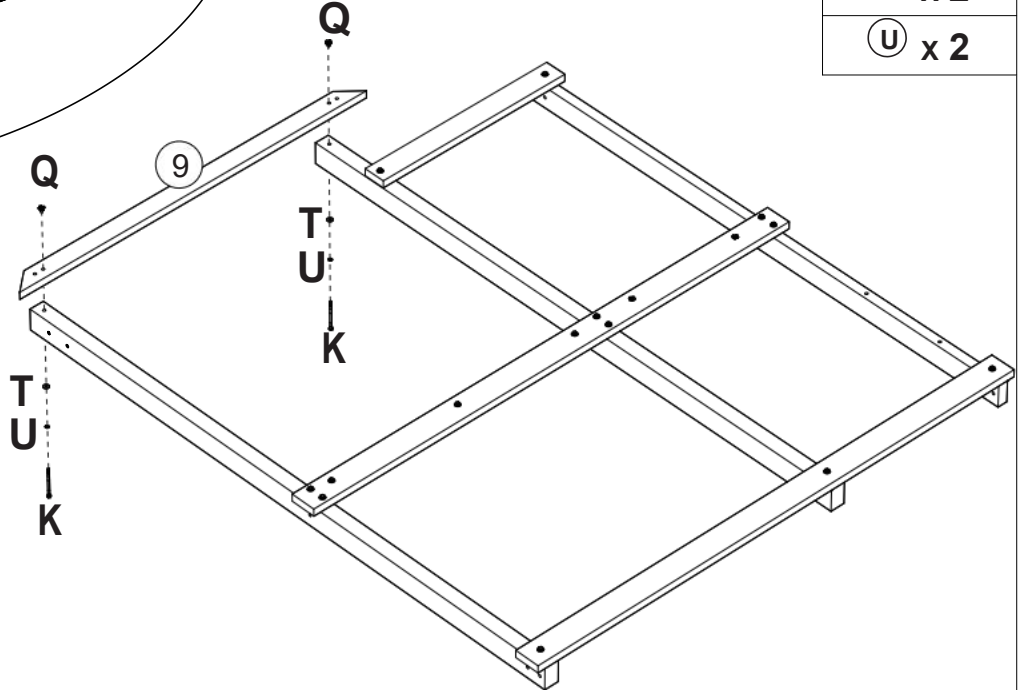


- ⑩ x 1
- Ⓚ x 2
- Ⓠ x 2
- Ⓣ x 2
- Ⓤ x 2

Step
Étape
Paso
8

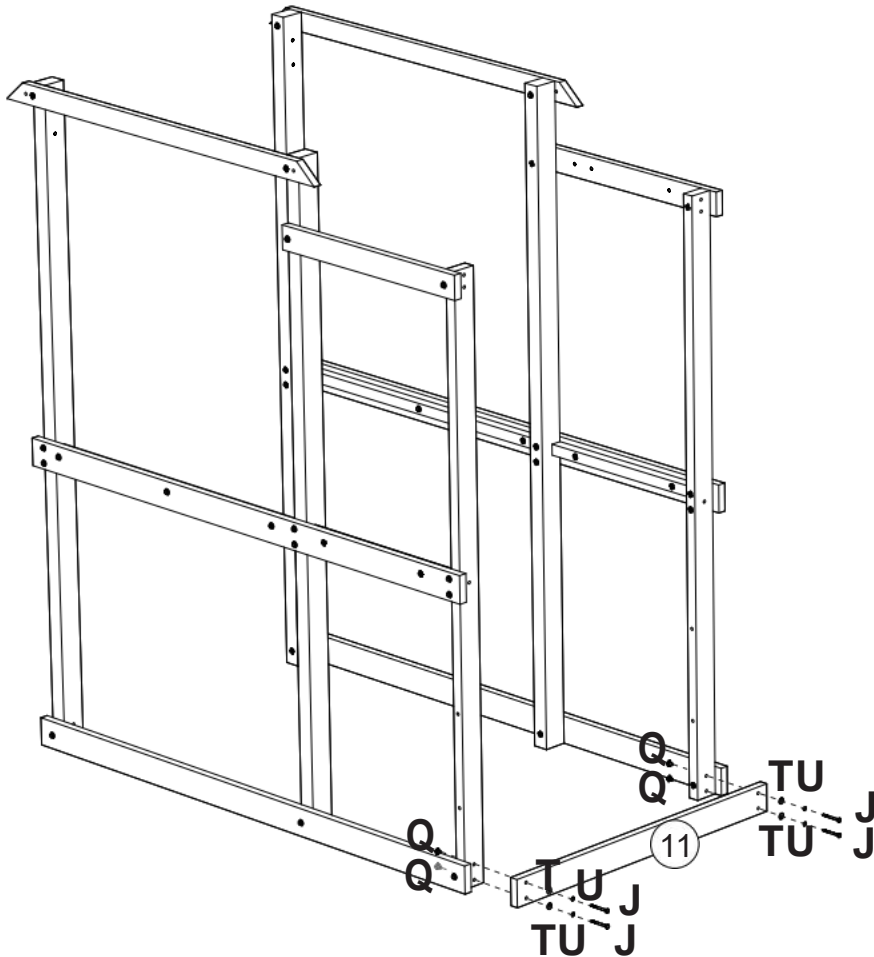


Assemble T-Nuts first
with hammer!



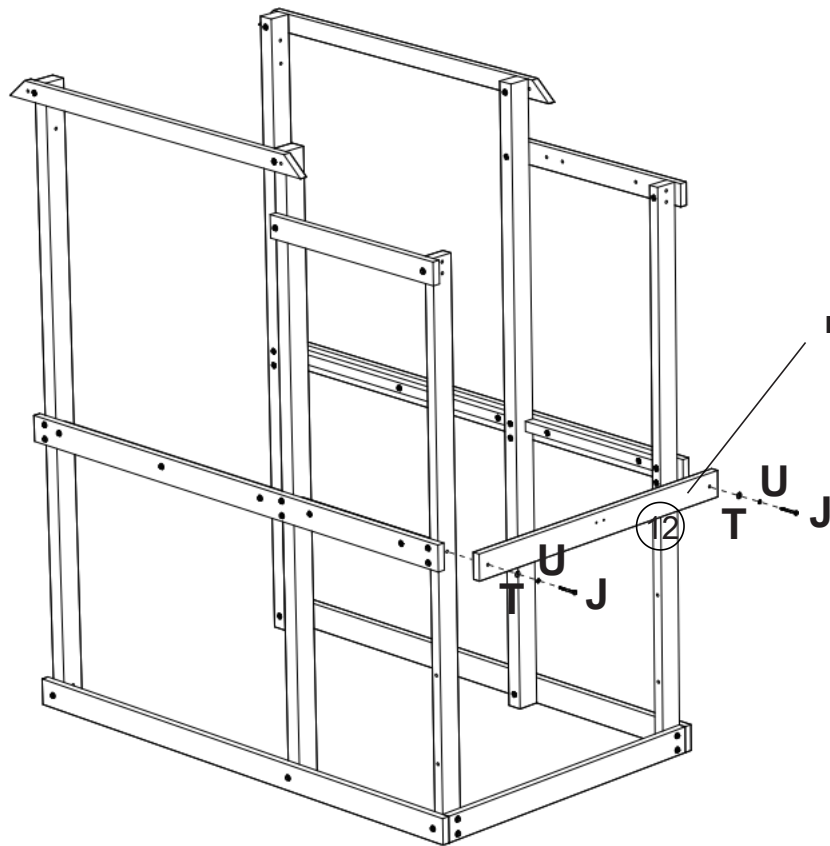
- | | |
|---|-----|
| 9 | x 1 |
| K | x 2 |
| Q | x 4 |
| T | x 2 |
| U | x 2 |

Step
Étape
Paso
9



- | | |
|----|-----|
| 11 | x 1 |
| J | x 4 |
| Q | x 4 |
| T | x 4 |
| U | x 4 |

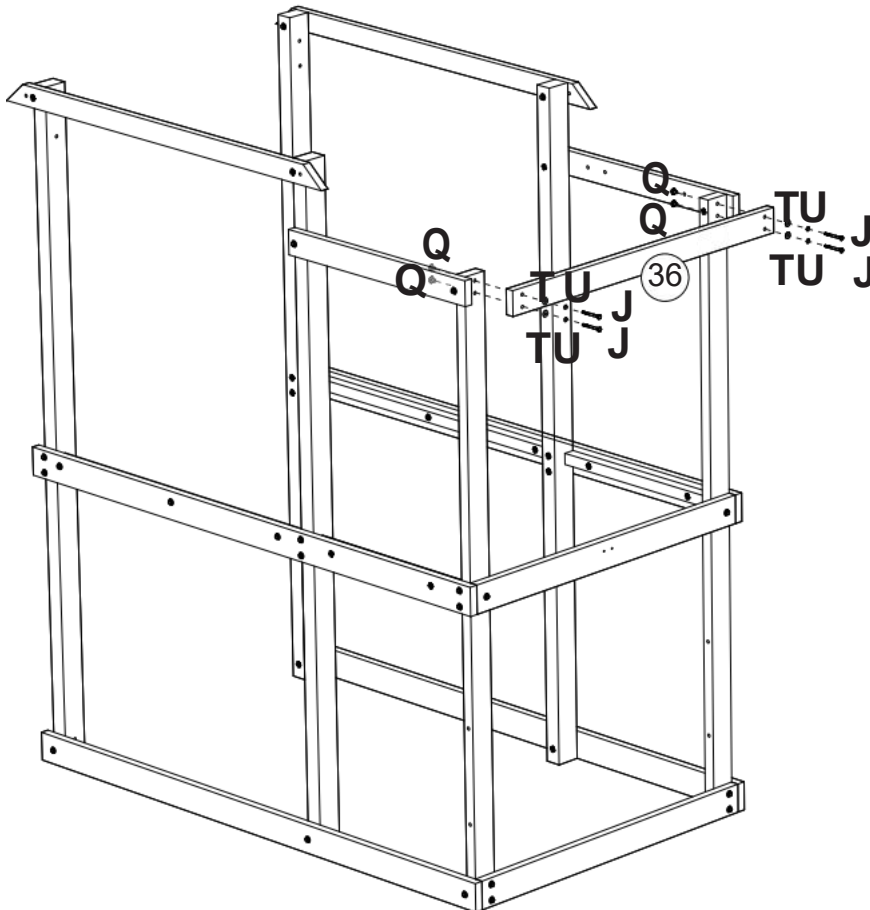
Step
Étape
Paso
10



⓫	x 1
Ⓝ	x 2
Ⓣ	x 2
Ⓤ	x 2

med logotyp

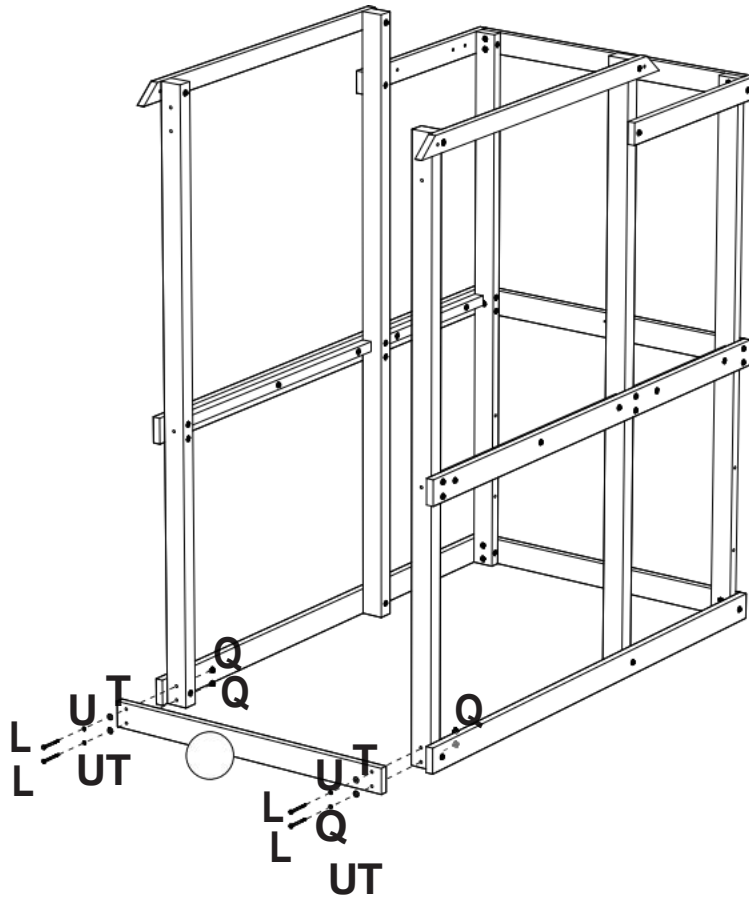
Step
Étape
Paso
11



⓫	x 1
Ⓝ	x 4
Ⓠ	x 4
Ⓣ	x 4
Ⓤ	x 4

Step
Étape
Paso

12



11 x 1

L x 4

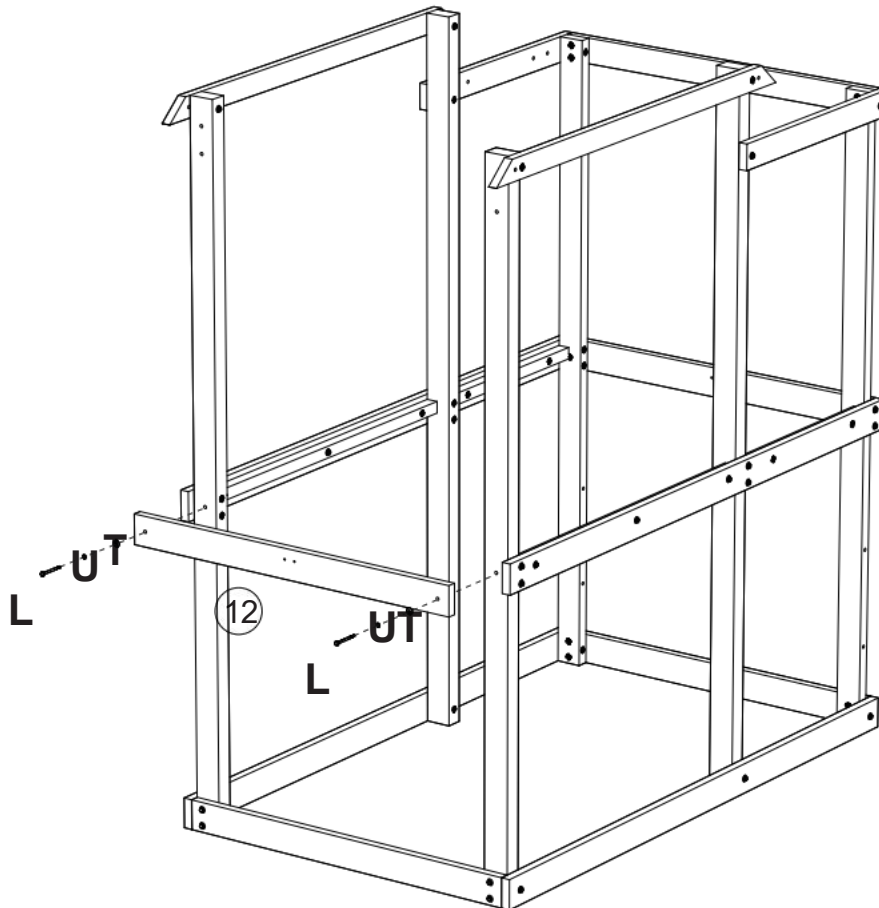
Q x 4

T x 4

U x 4

Step
Étape
Paso

13



12 x 1

L x 2

T x 2

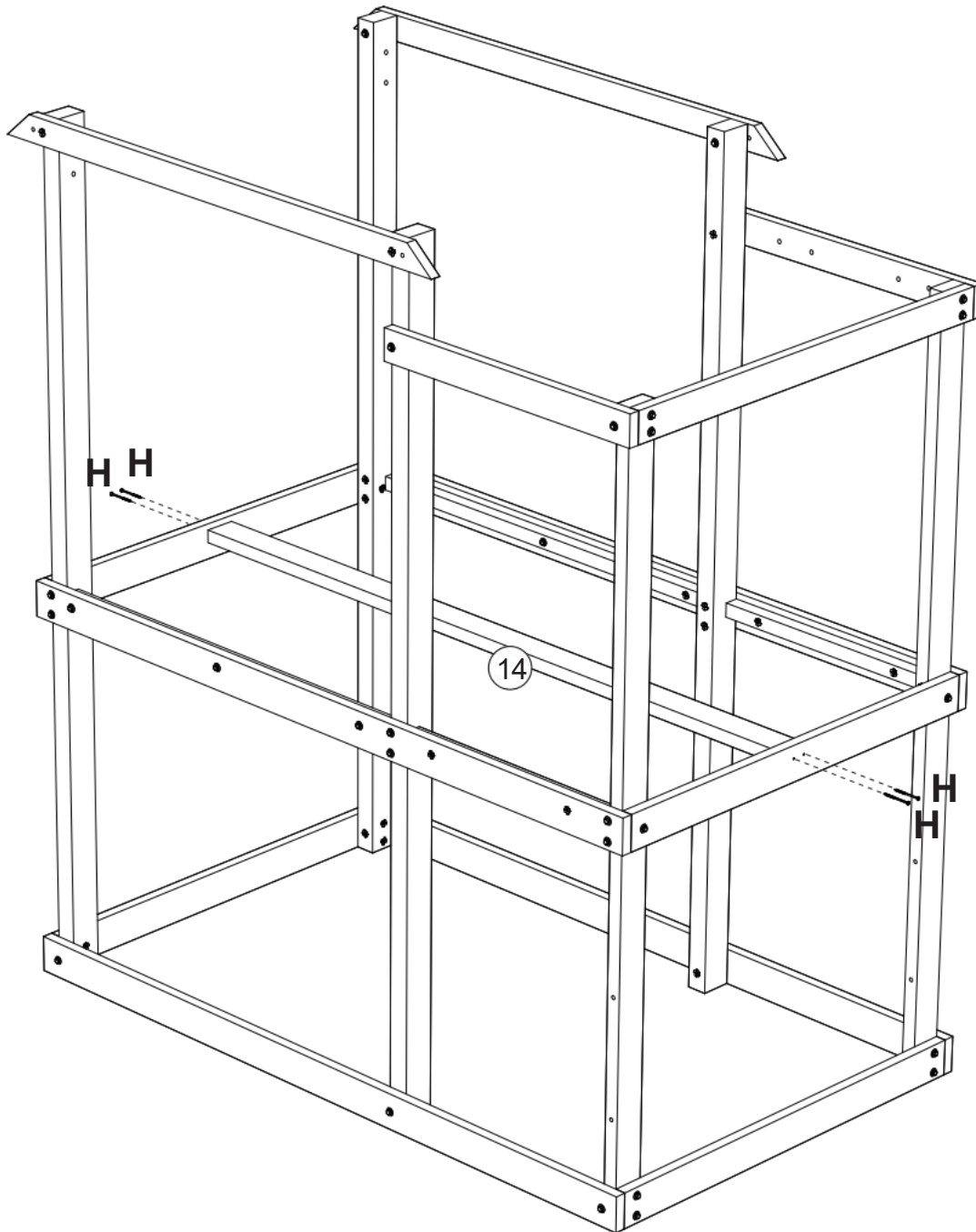
U x 2

Step
Étape
Paso

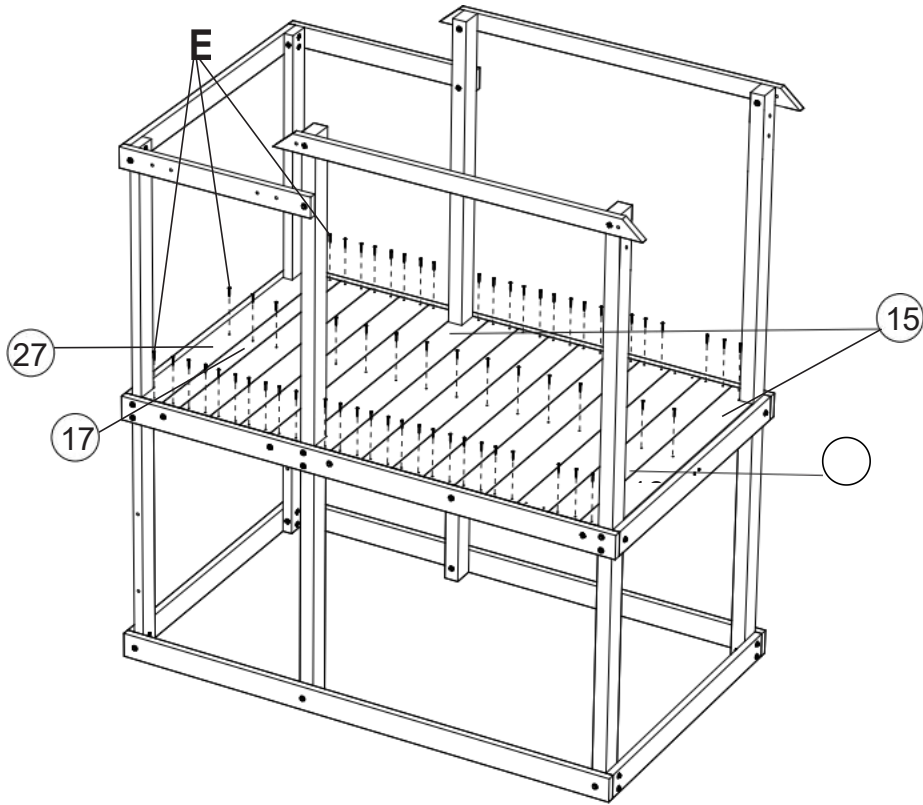
14

14 x 1

H x 4

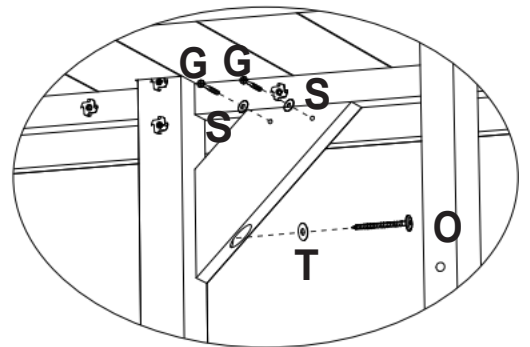
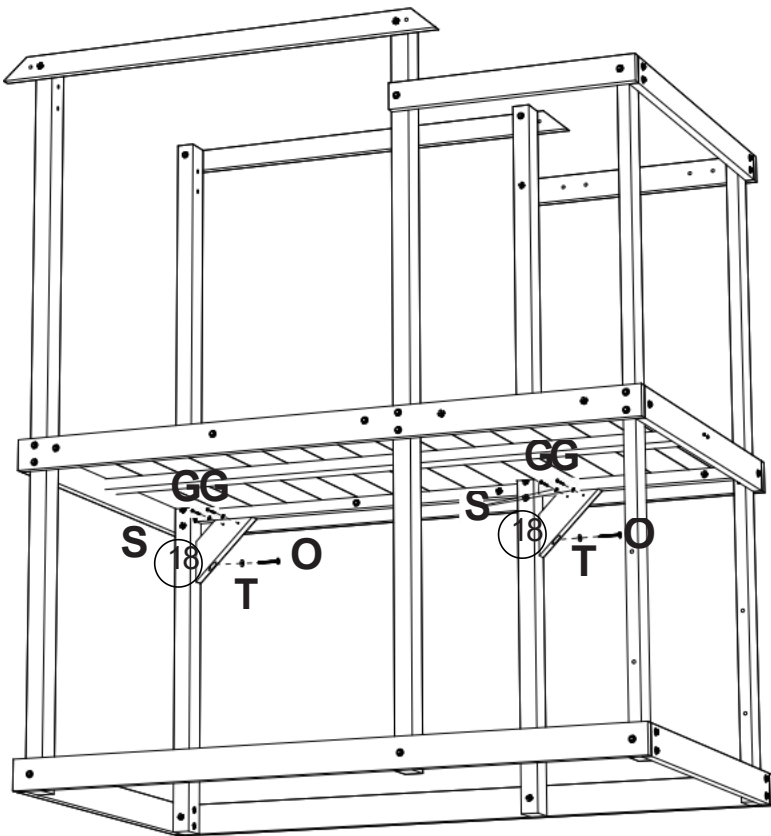


Step
Étape
Paso
15



- ⓫ x 2
- ⓬ x 12
- ⓭ x 1
- ⓮ x 1
- Ⓔ x 67

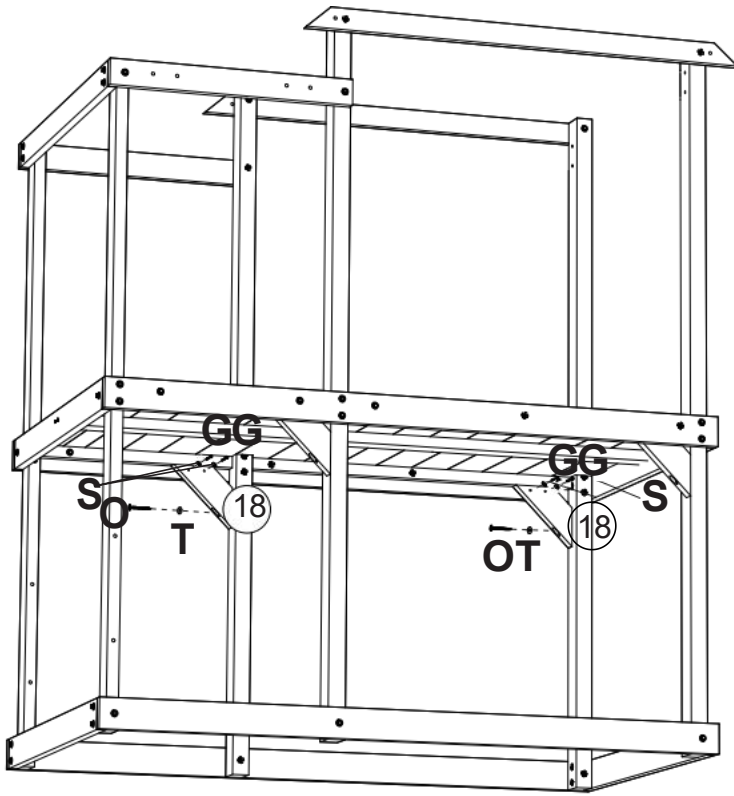
Step
Étape
Paso
16



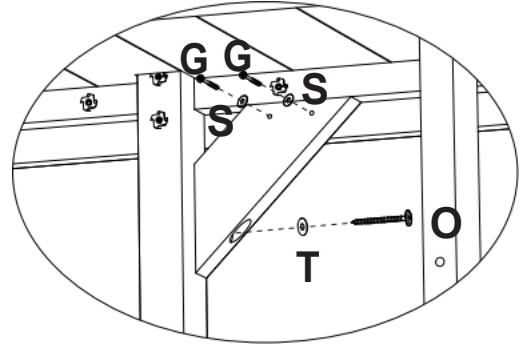
- ⓯ x 2
- ⓰ x 4
- ⓱ x 2
- ⓲ x 4
- ⓳ x 2

Step
Étape
Paso

17

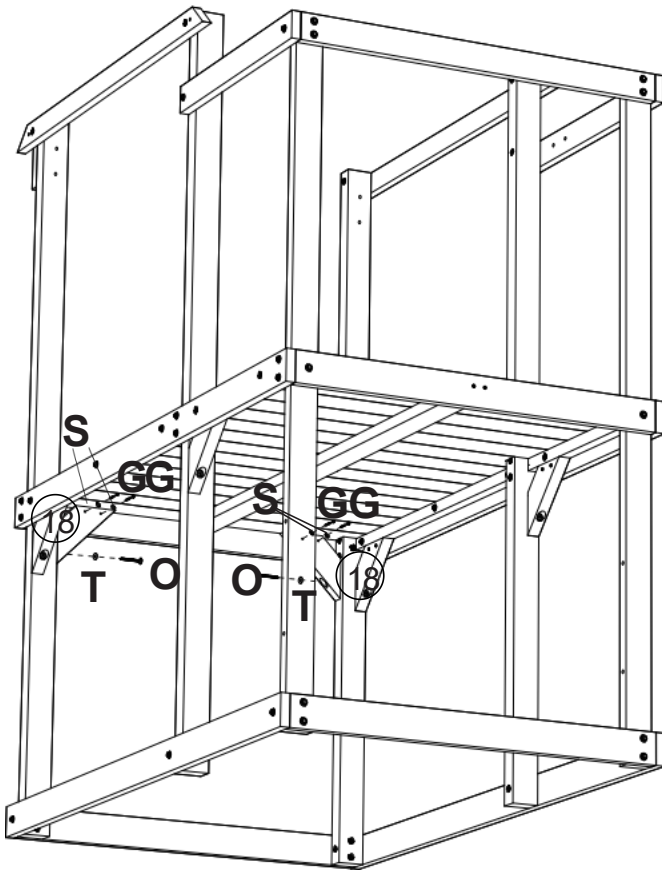


- ⓪ 18 x 2
- ⓪ G x 4
- ⓪ O x 2
- ⓪ S x 4
- ⓪ T x 2

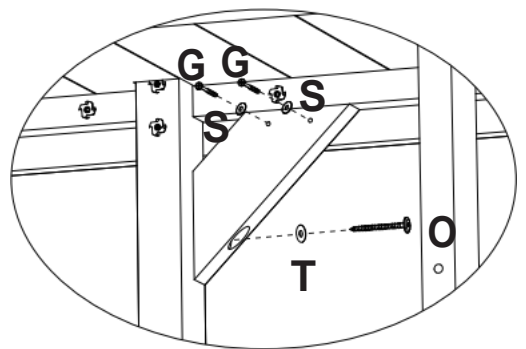


Step
Étape
Paso

18

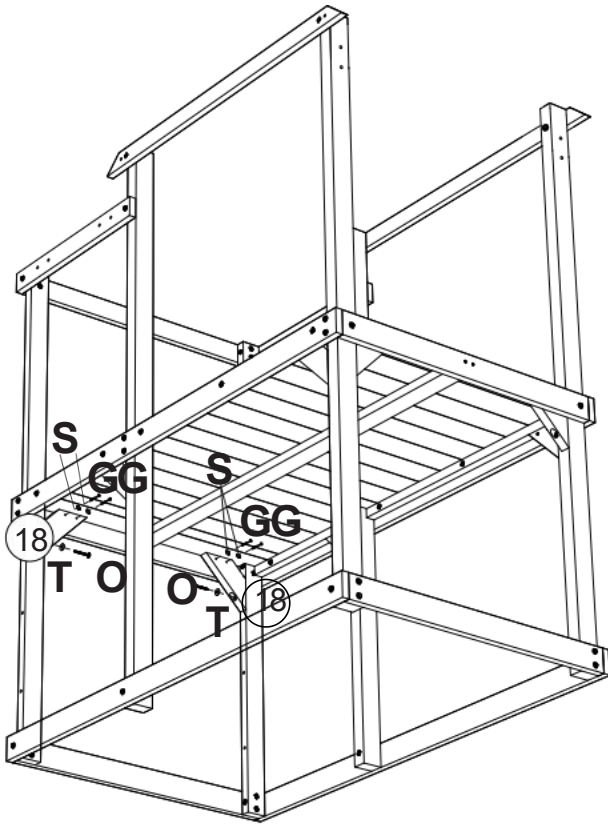


- ⓪ 18 x 2
- ⓪ G x 4
- ⓪ O x 2
- ⓪ S x 4
- ⓪ T x 2



Step
Étape
Paso

19



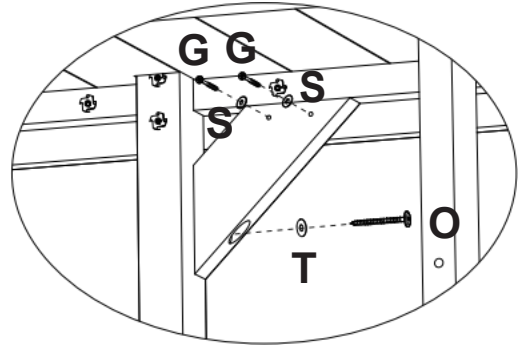
18 x 2

G x 4

O x 2

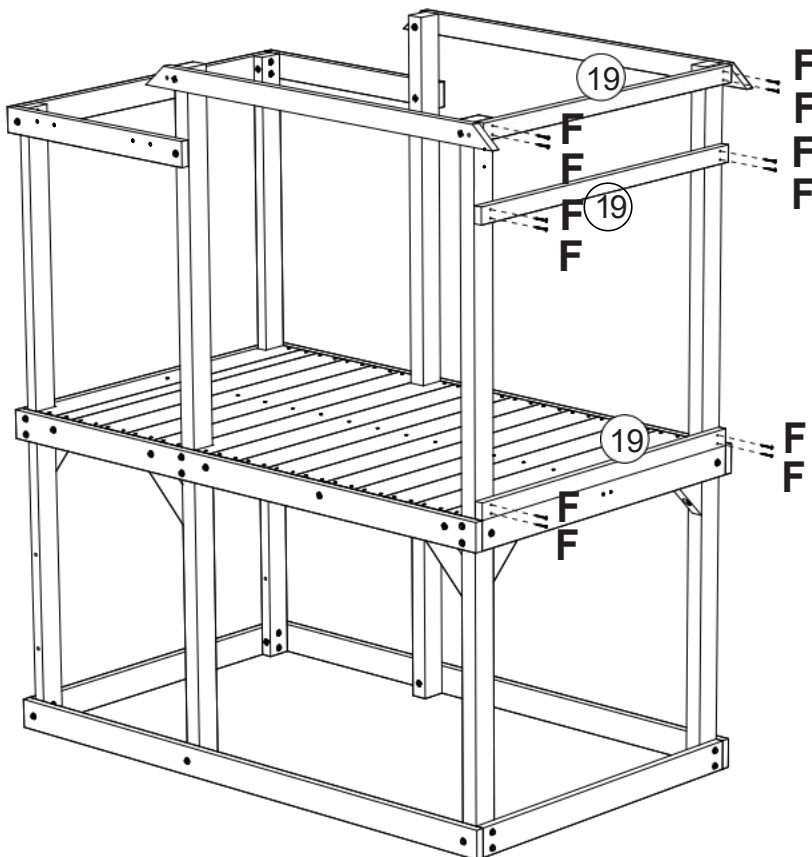
S x 4

T x 2



Step
Étape
Paso

20

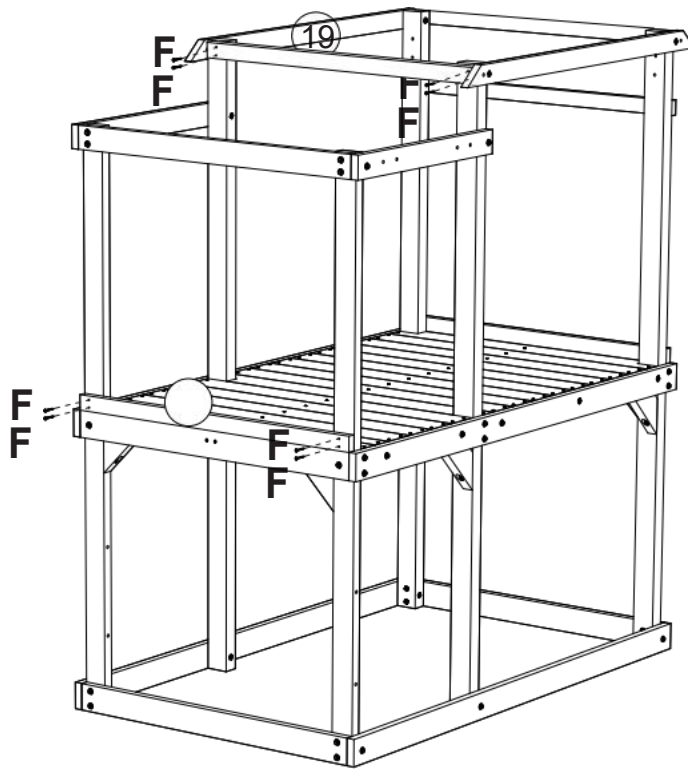


19 x 3

F x 12

Step
Étape
Paso

21

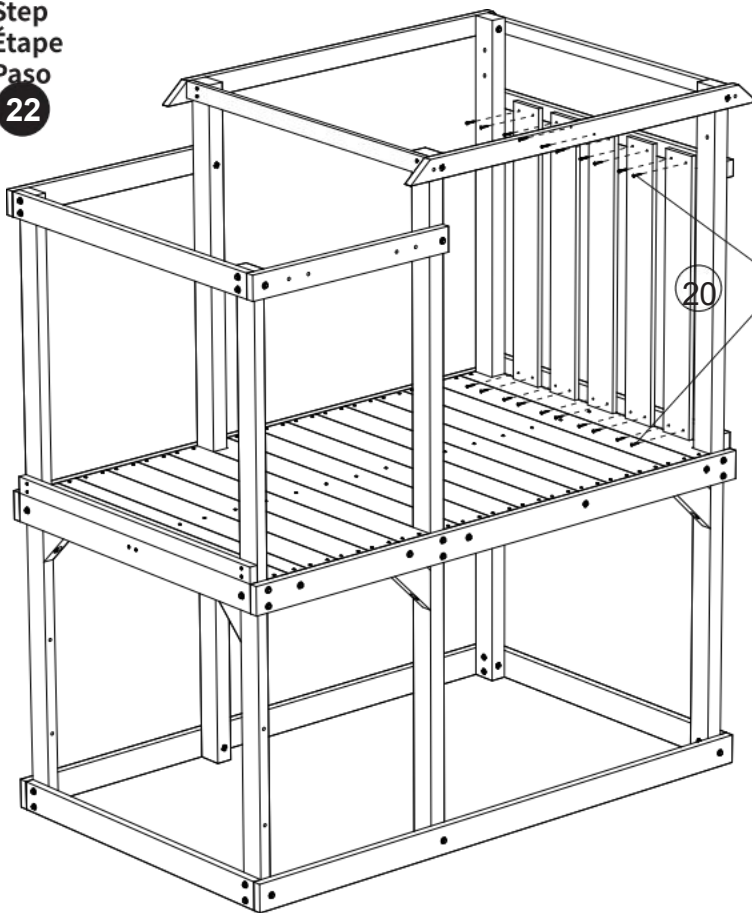


19 x 2

F x 8

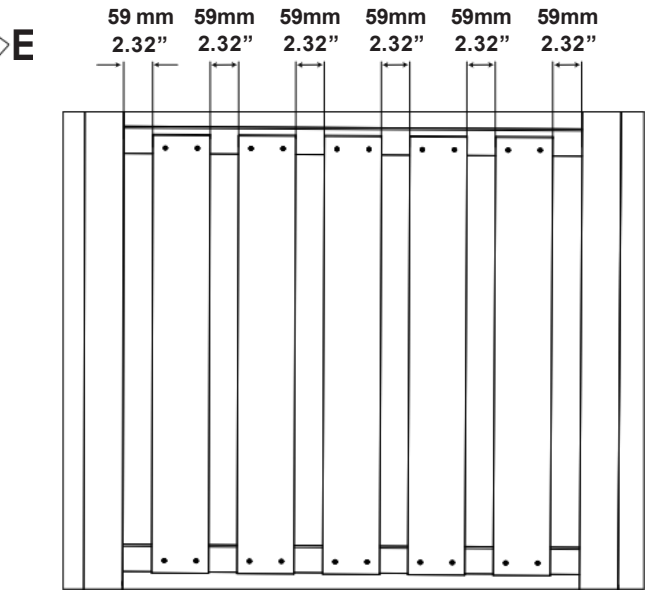
Step
Étape
Paso

22



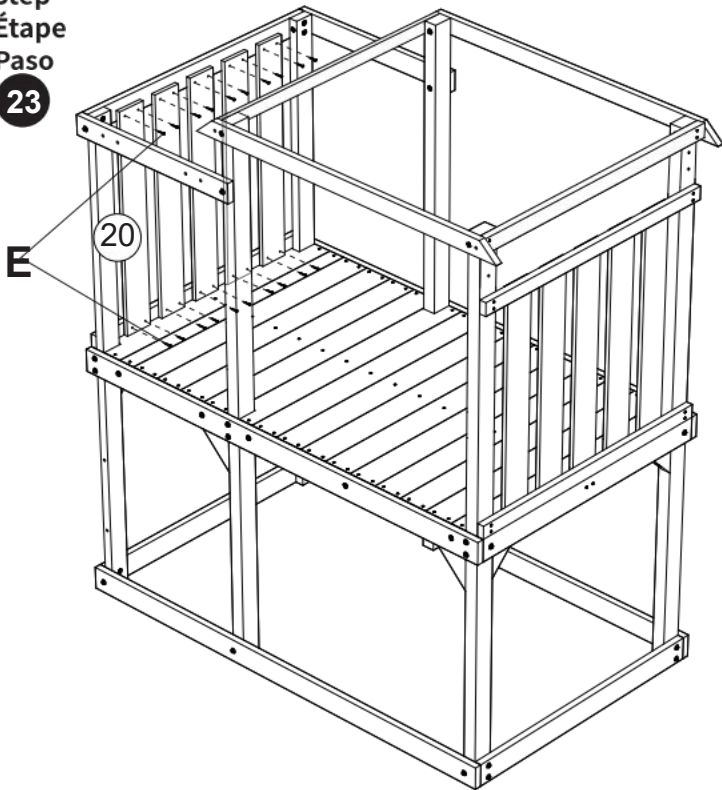
20 x 5

E x 20



Step
Étape
Paso

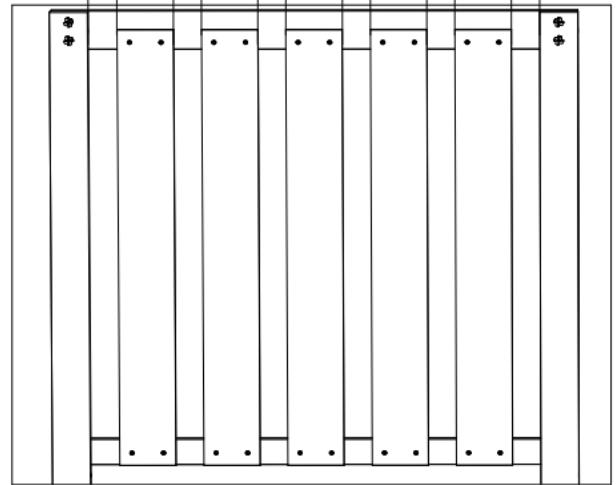
23



20 x 5

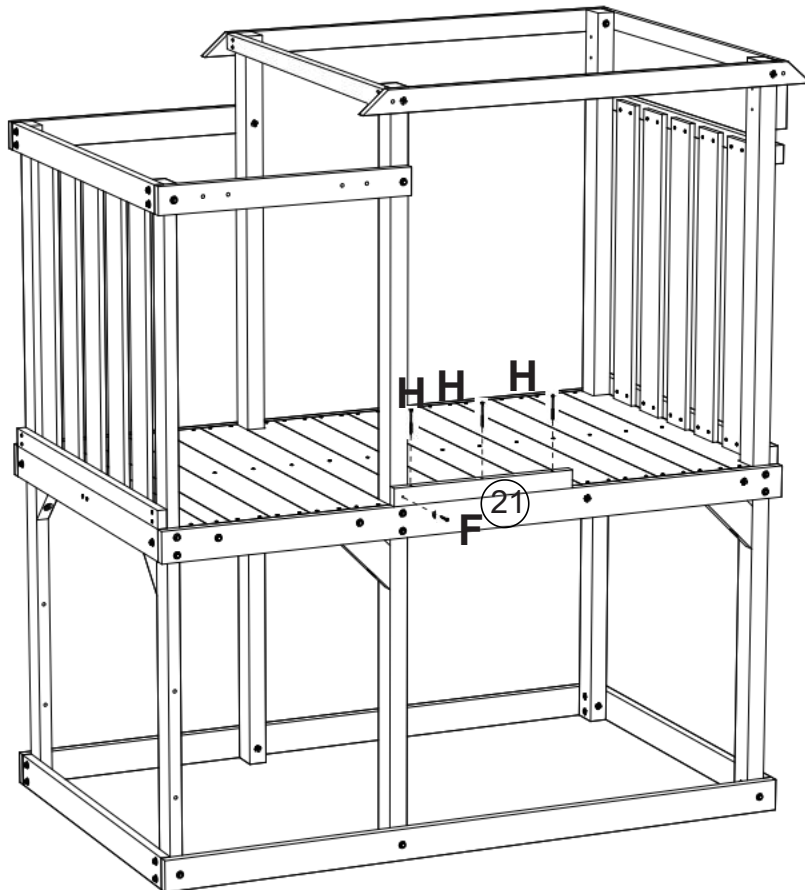
E x 20

59 mm 59 mm 59 mm 59 mm 59 mm 59 mm
2,32" 2,32" 2,32" 2,32" 2,32" 2,32"



Step
Étape
Paso

24



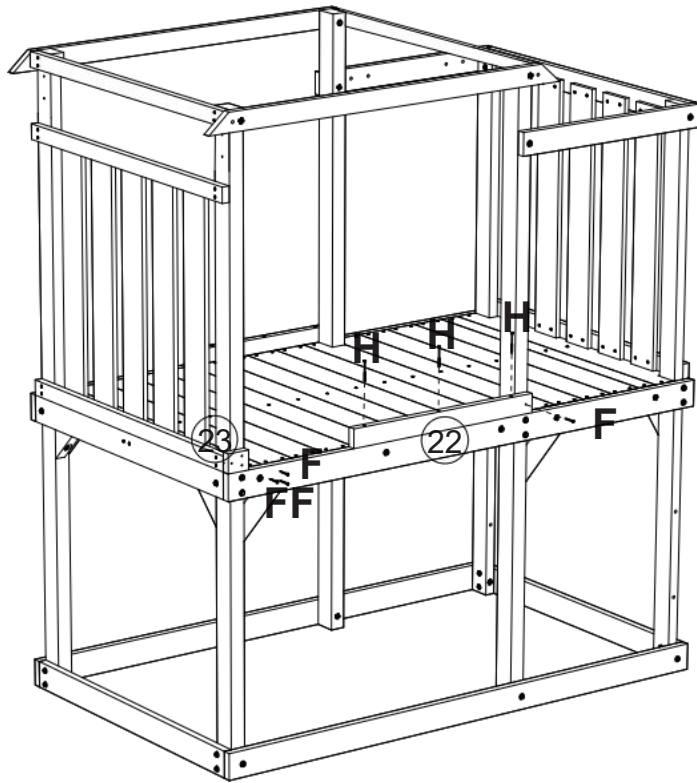
21 x 1

F x 1

H x 3

Step
Étape
Paso

25



22 x 1

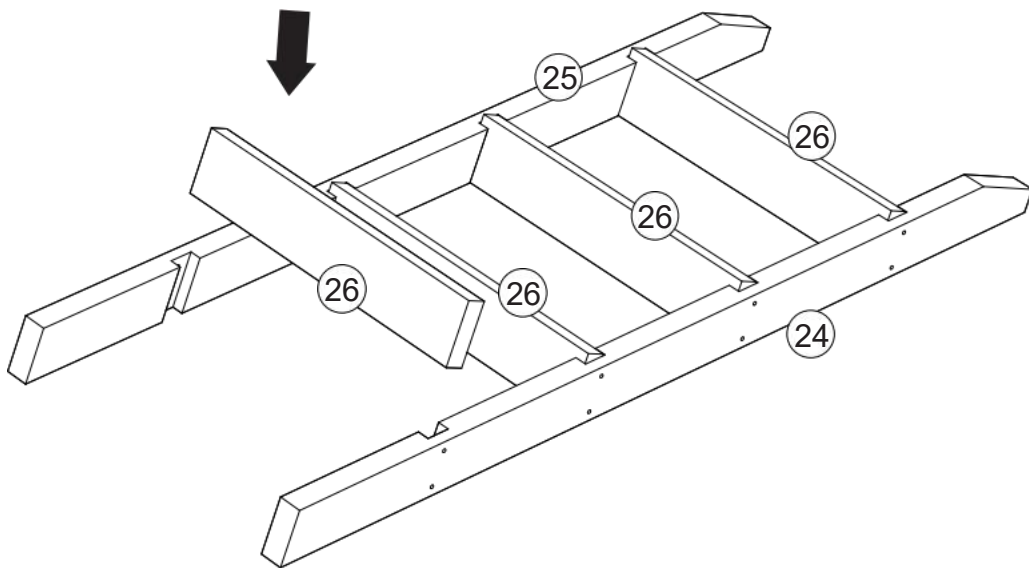
23 x 1

F x 4

H x 3

Step
Étape
Paso

26



24 x 1

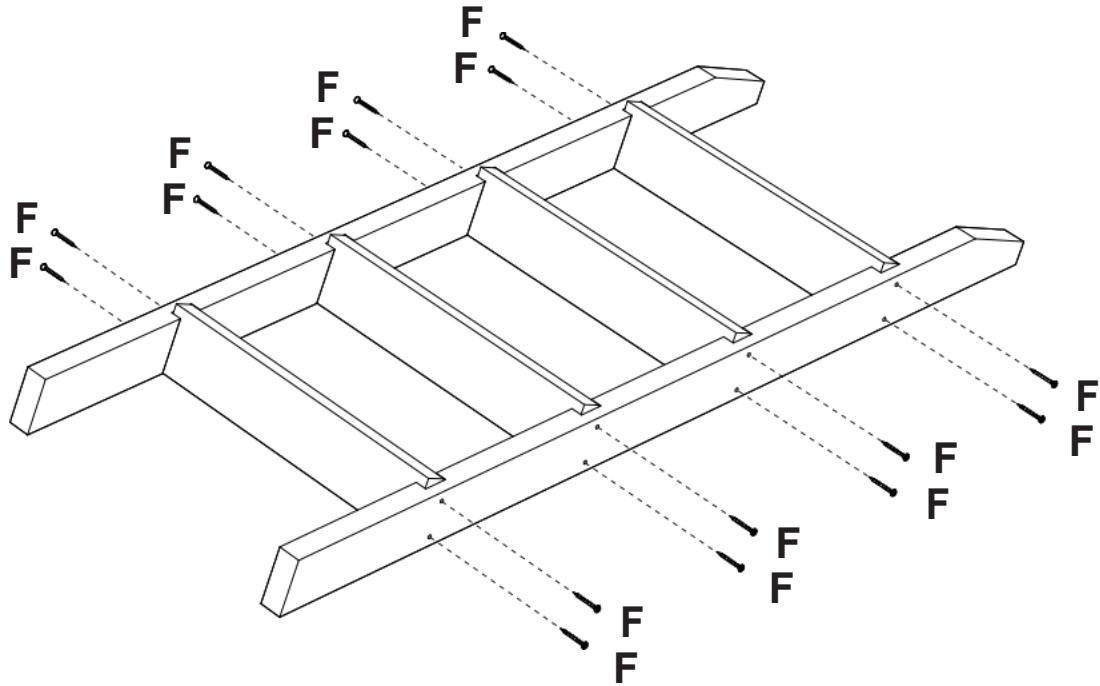
25 x 1

26 x 4

(F) x 16

Step
Étape
aso

27

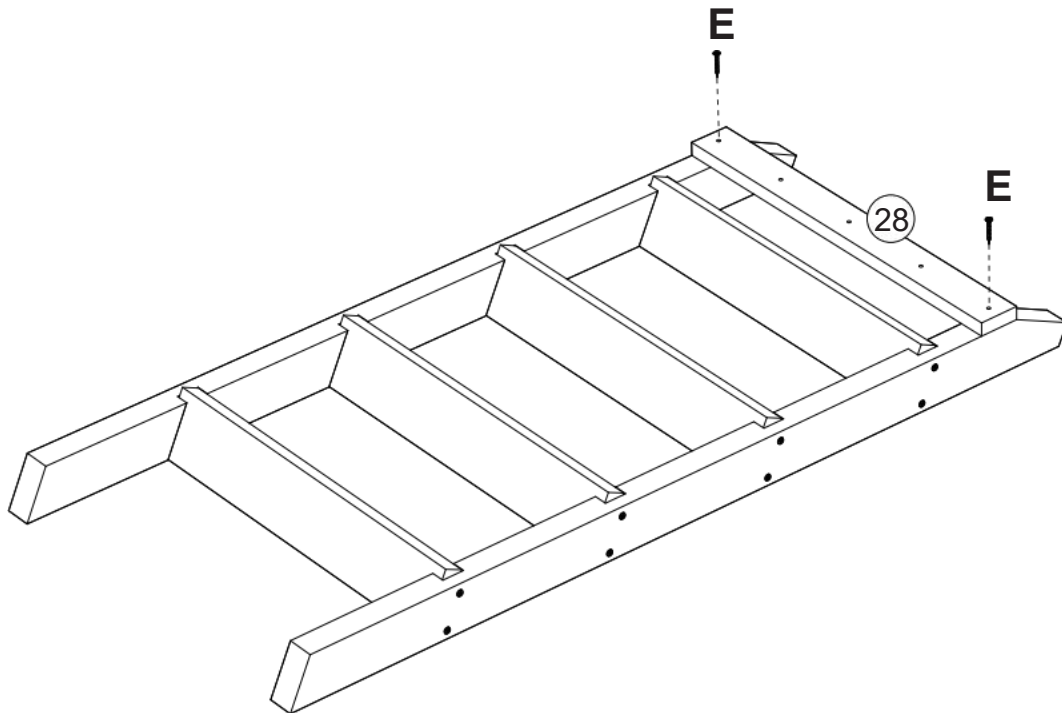


Step
Étape
aso

28

(28) x 1

(E) x 2

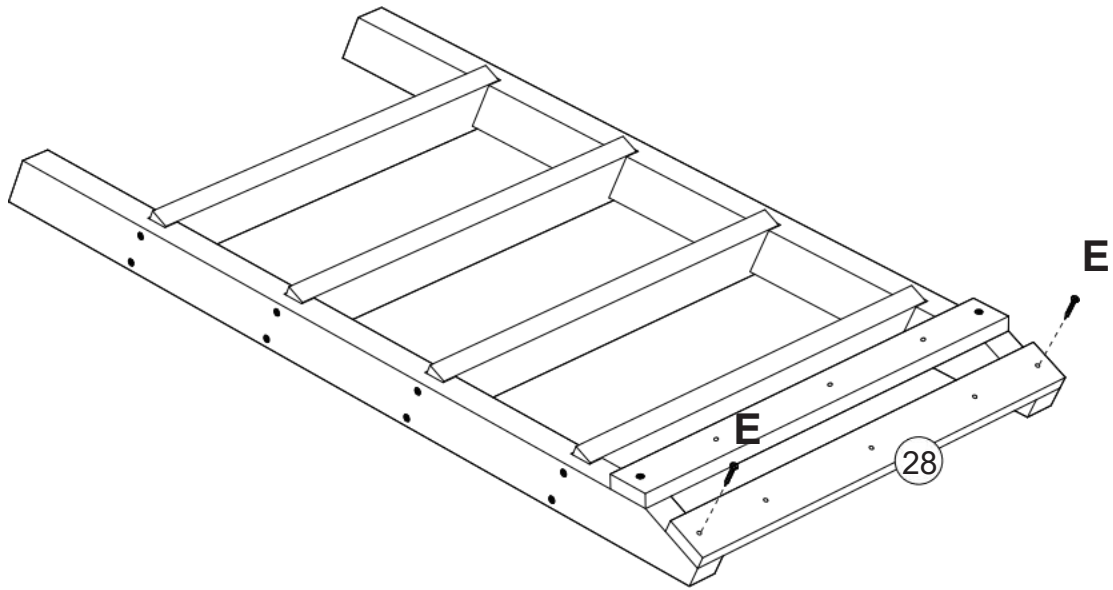


Step
Étape
Paso

29

28 x 1

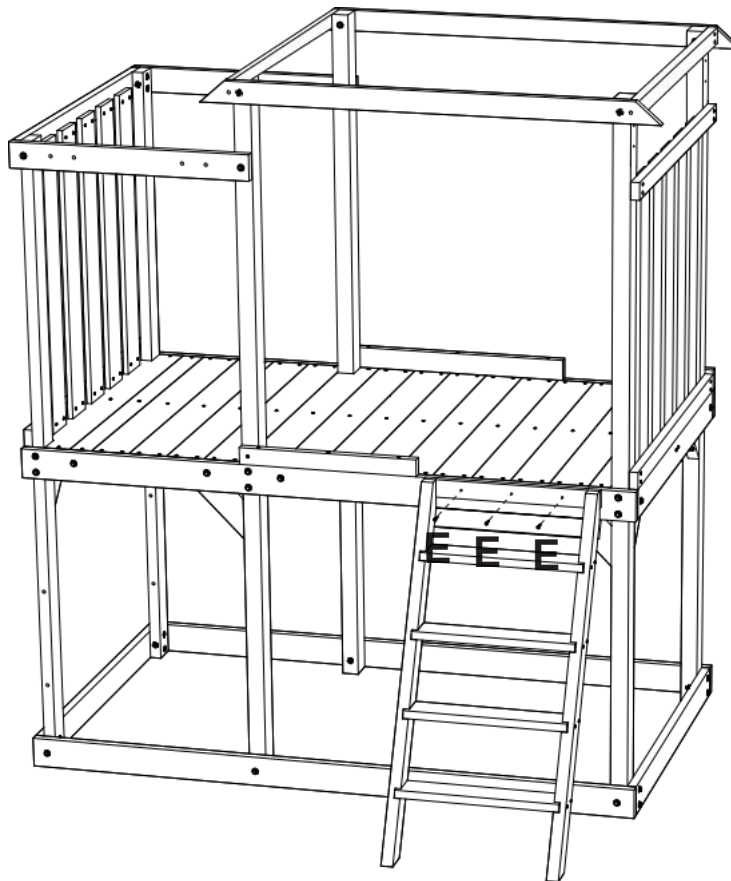
E x 2



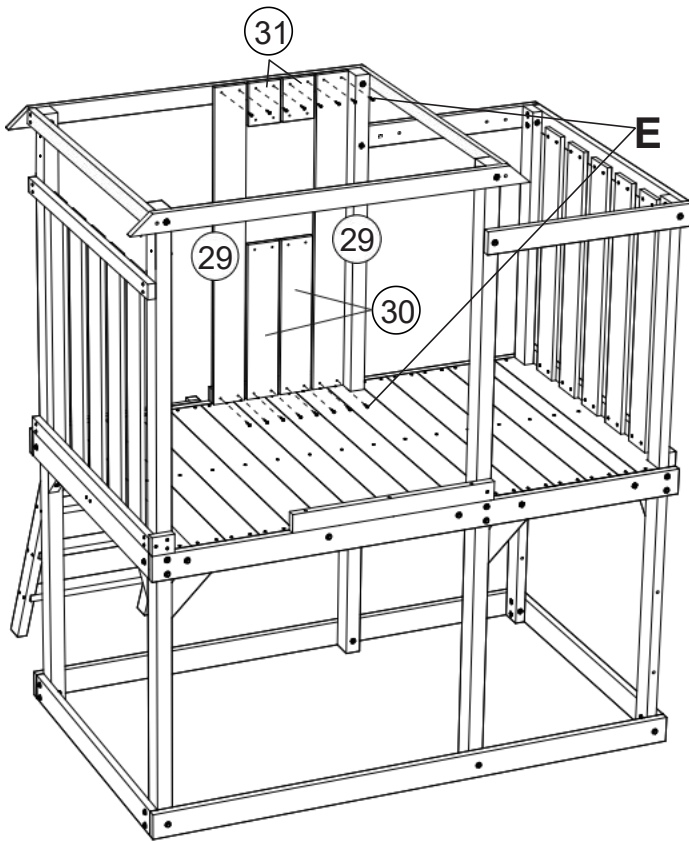
Step
Étape
Paso

30

E x 3



Step
Étape
Paso
31

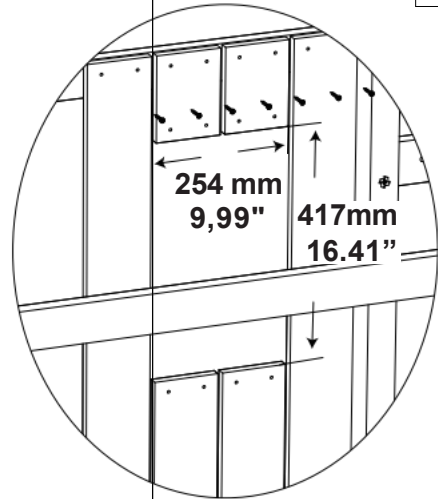


②9 x 2

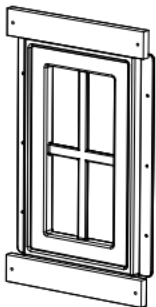
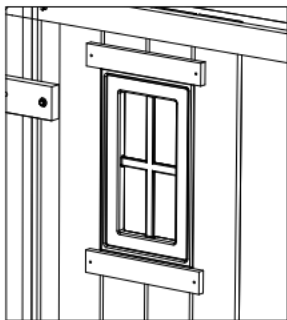
③0 x 2

③1 x 2

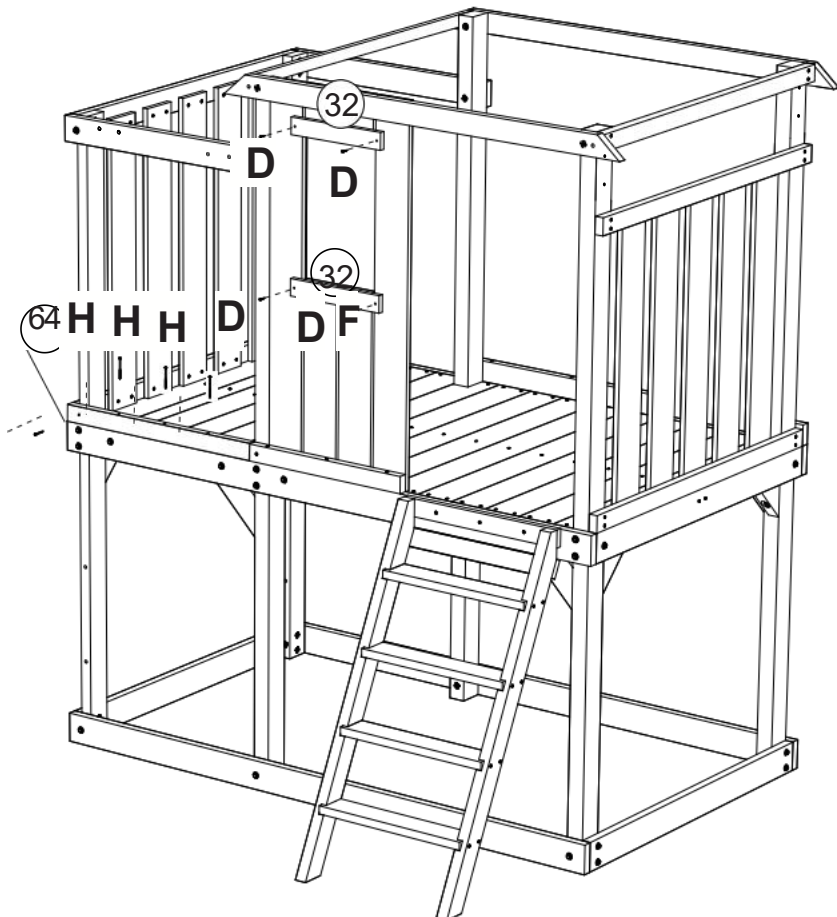
Ⓔ x 16



Step
Étape
Paso
32



Rikta in med fönstret



③2 x 2

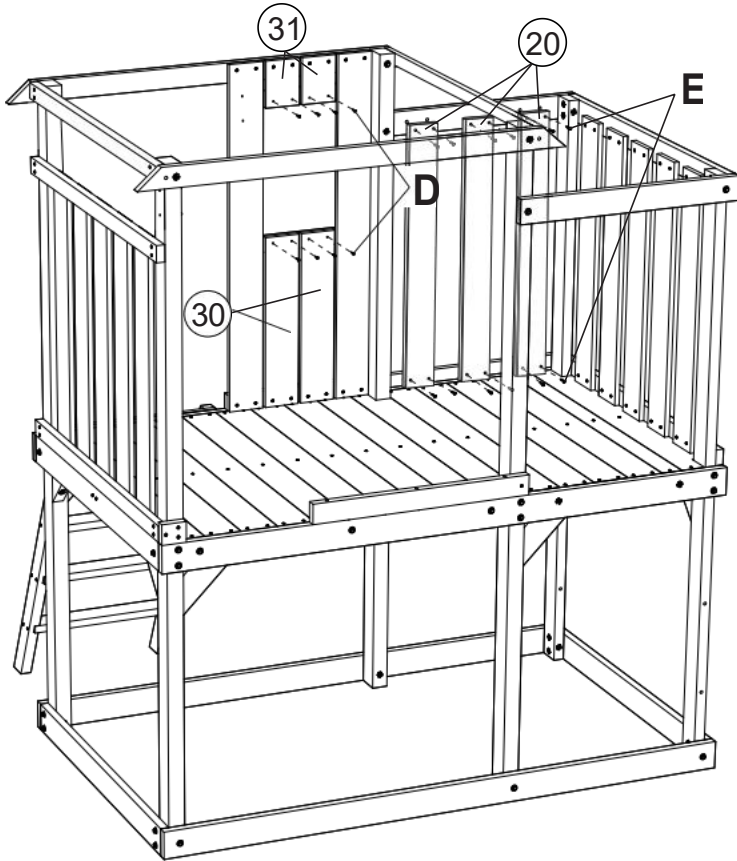
⑥4 x 1

Ⓓ x 4

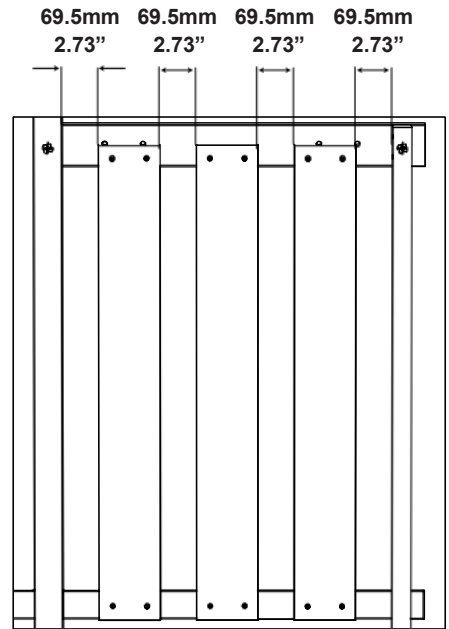
Ⓕ x 1

Ⓗ x 3

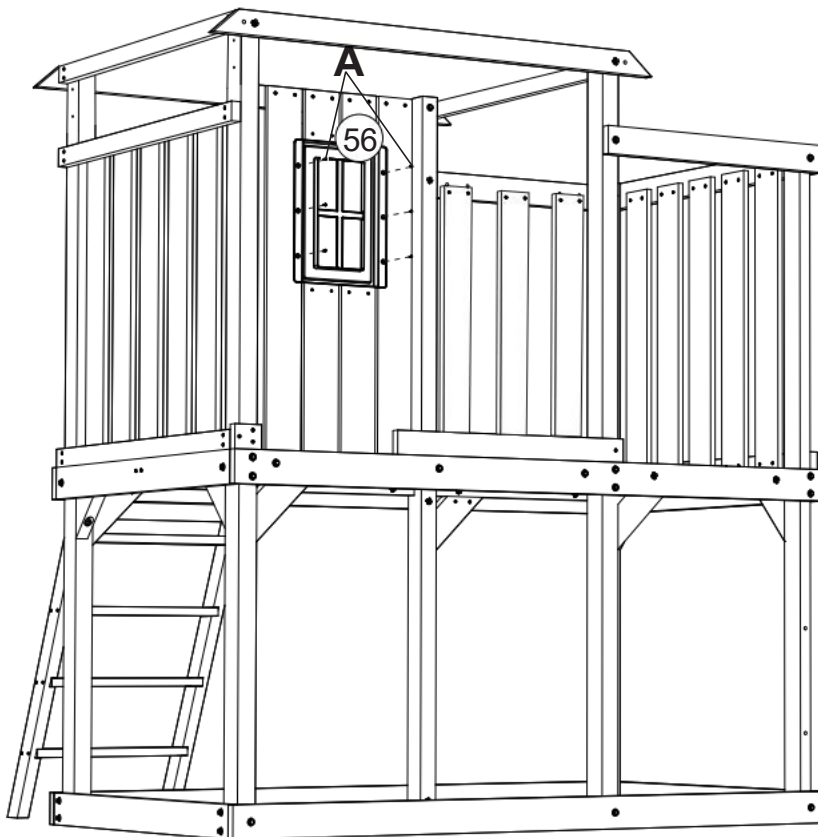
Step
Étape
Paso
33



- (20) x 3
- (D) x 8
- (E) x 12

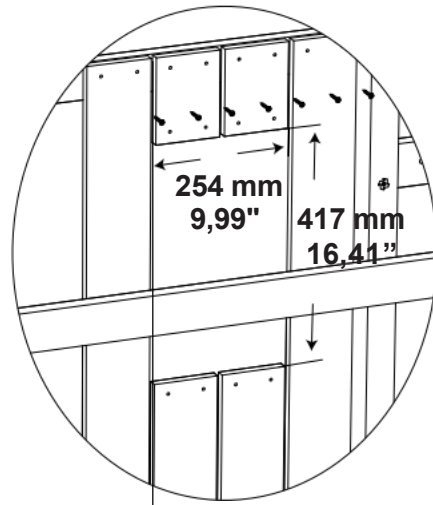
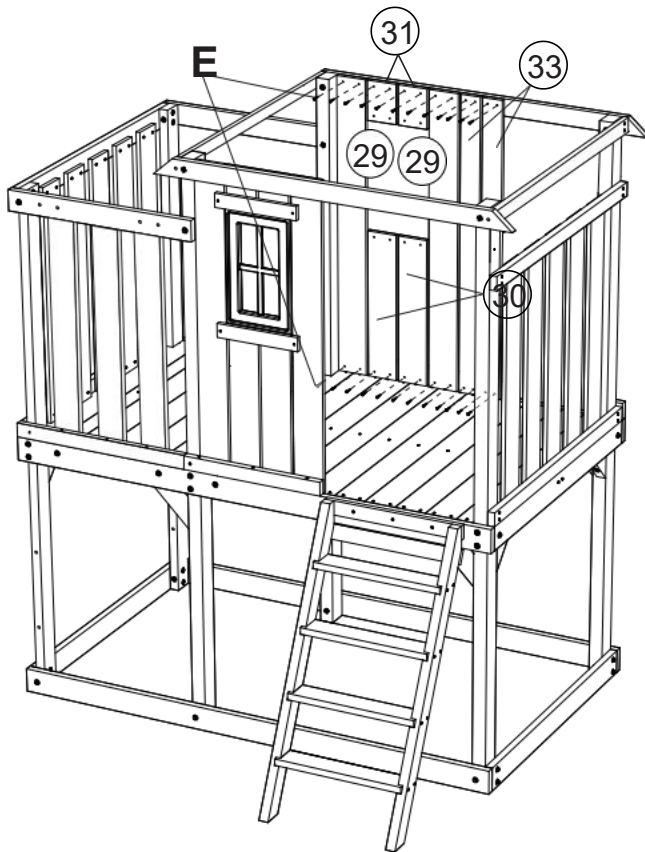


Step
Étape
Paso
34



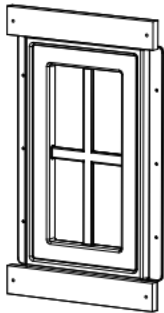
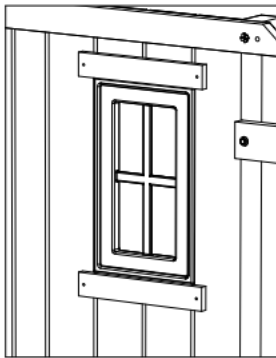
- (56) x 1
- (A) x

Step
Étape
Paso
35

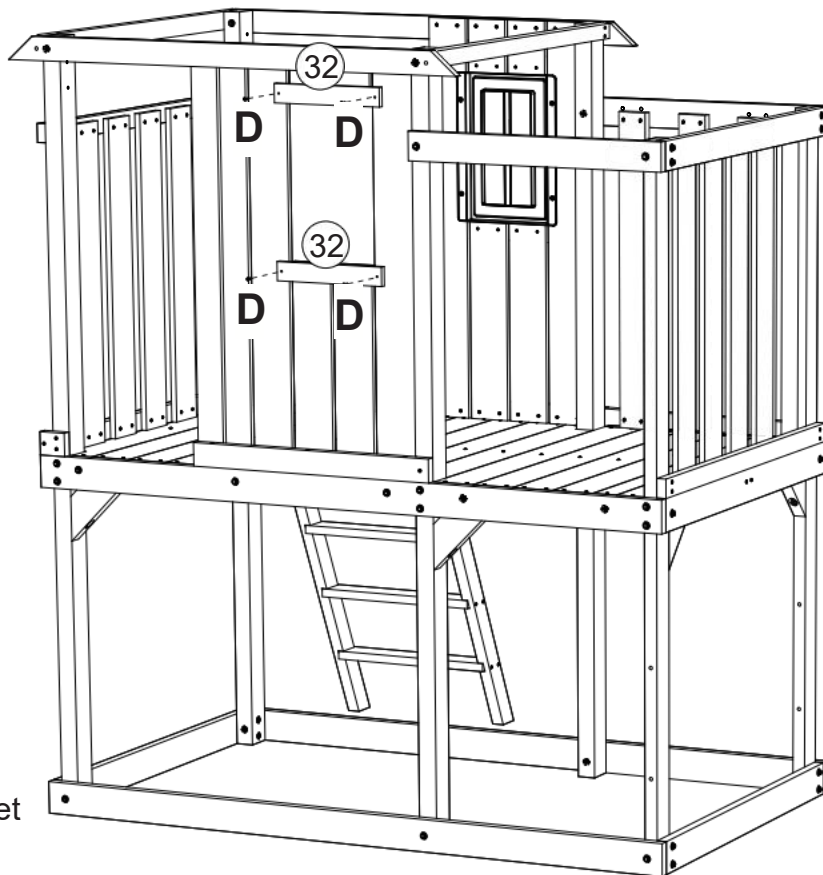


- Ⓣ 29 x 2
- Ⓣ 30 x 2
- Ⓣ 31 x 2
- Ⓣ 33 x 2
- Ⓞ E x 24

Step
Étape
Paso
36



Rikta in med fönstret

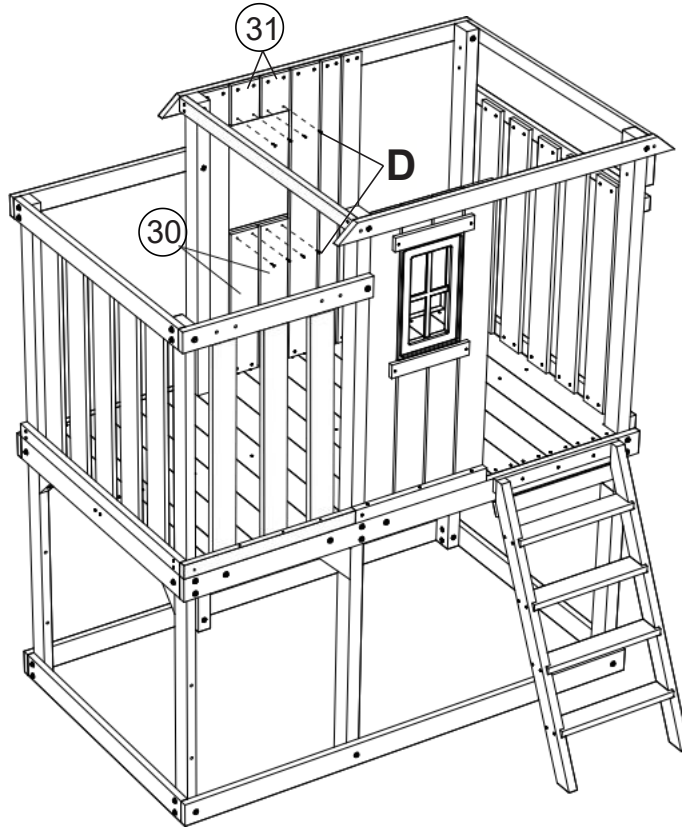


- Ⓣ 32 x 2
- Ⓞ D x 4

ⓓ x 8

Step
Étape
Paso

37



Ⓢ6 x 1

Ⓐ x 6

Step
Étape
Paso

38



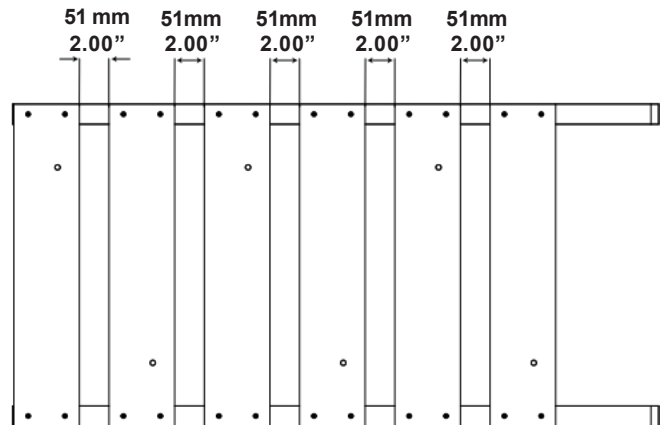
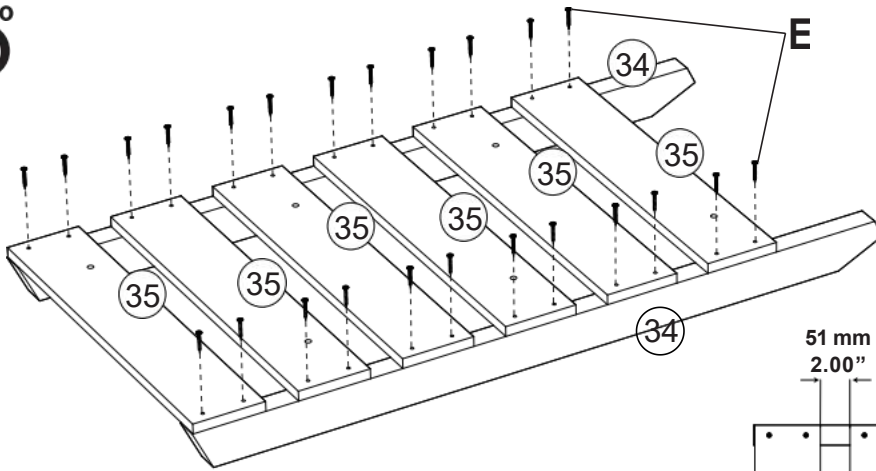
Step
Étape
Paso

39

34 x 2

35 x 6

E x 24

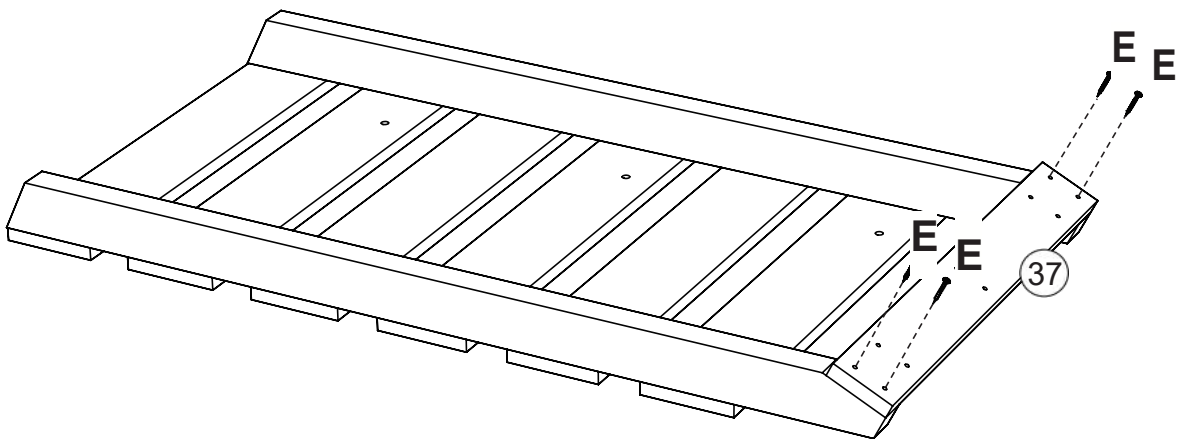


Step
Étape
Paso

40

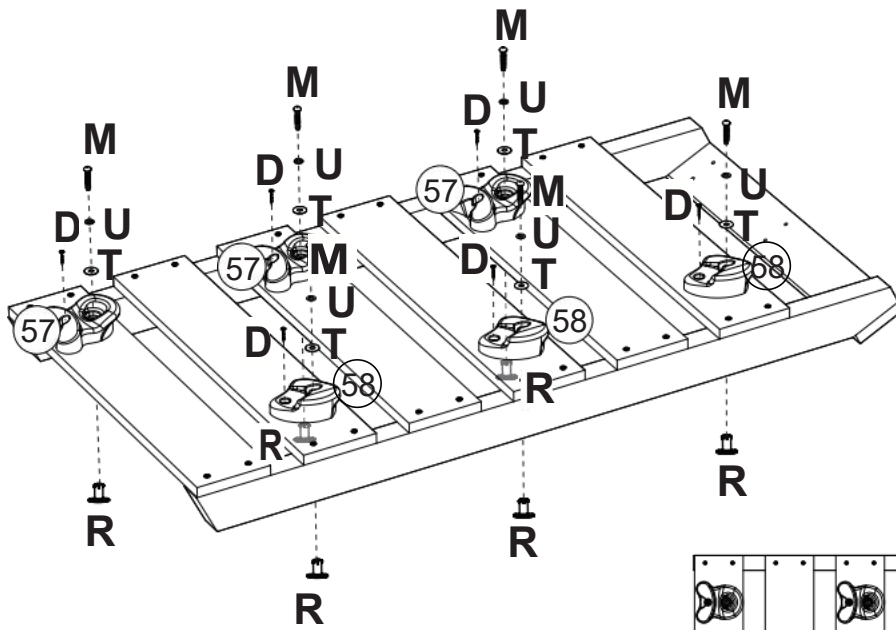
37 x 1

E x 4



Step
Étape
Paso

41



57 x 3

58 x 3

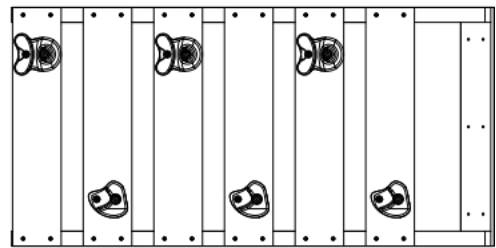
D x 6

M x 6

R x 6

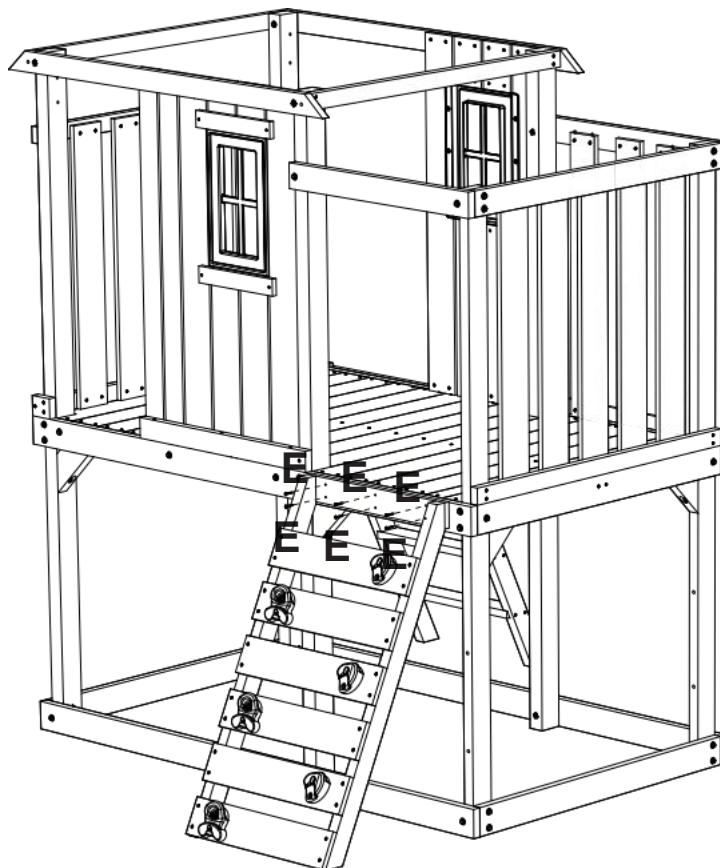
T x 6

U x 6



Step
Étape
Paso

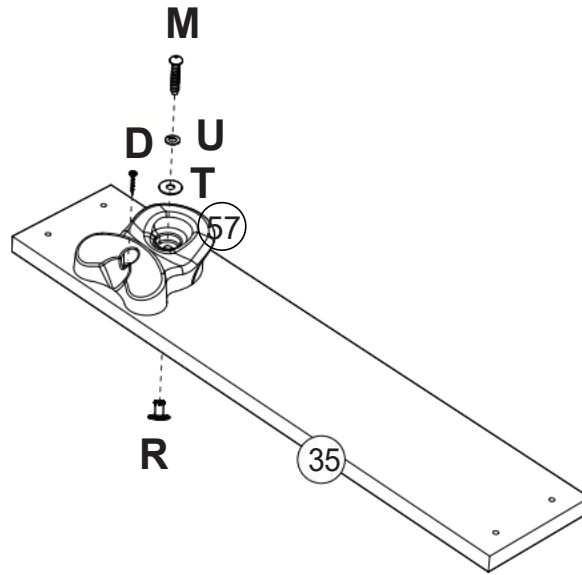
42



E x 6

Step
Étape
Paso

43



35 x 1

57 x 1

D x 1

M x 1

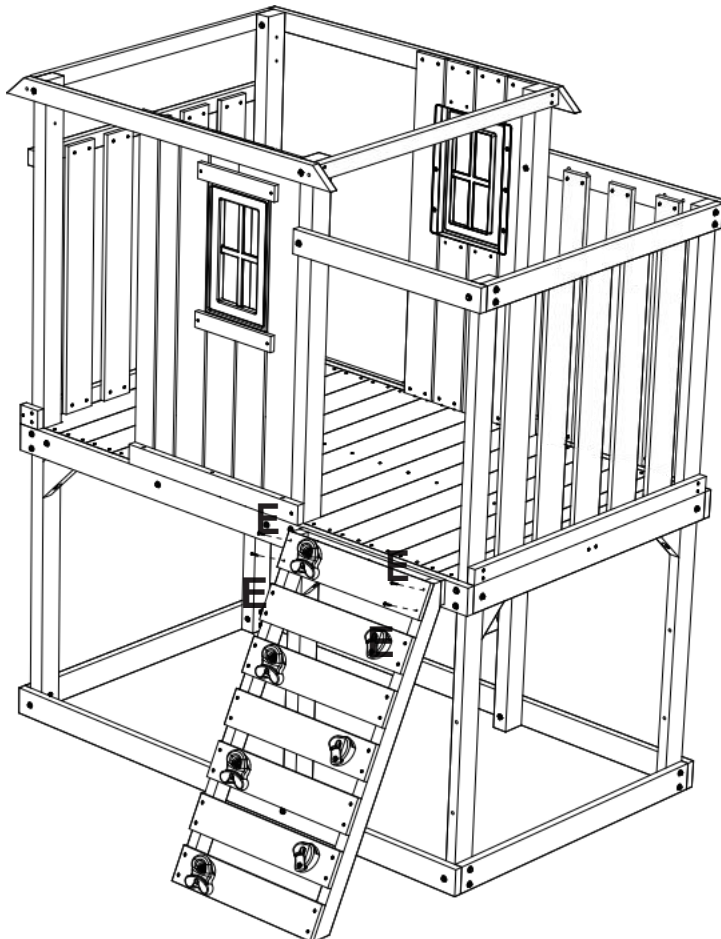
R x 1

T x 1

U x 1

Step
Étape
Paso

44



E x 4

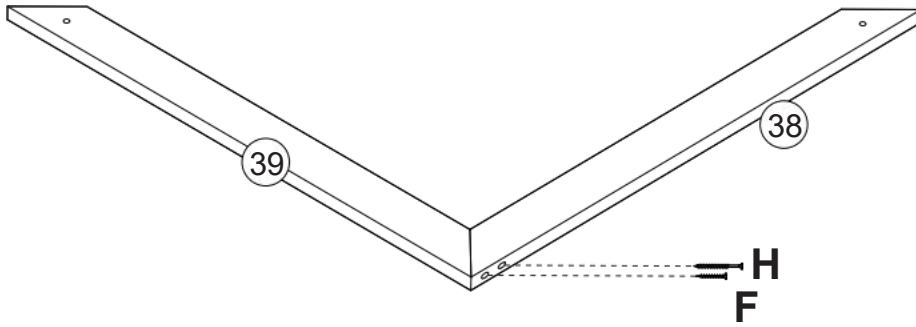
Step
Étape
Paso
45 x 2

38 x 1

39 x 1

F x 1

H x 1

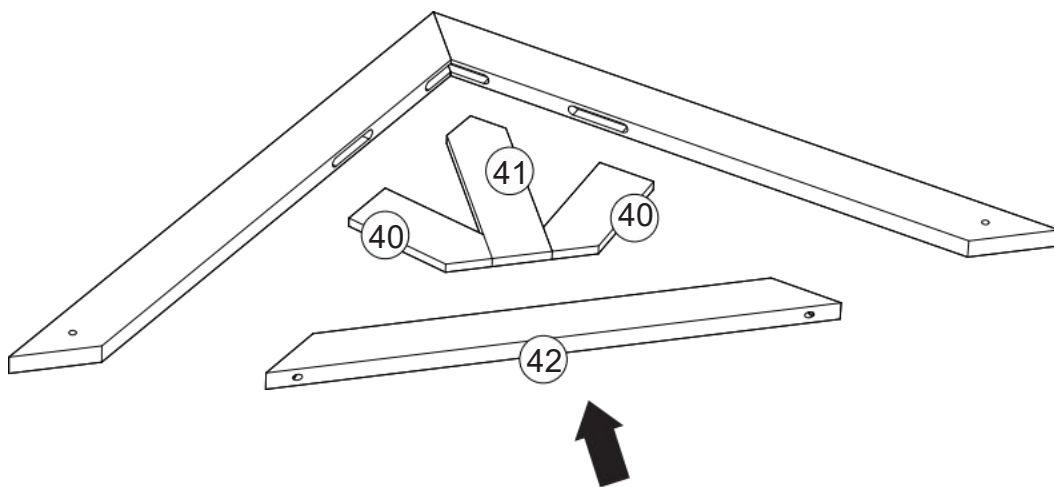


Step
Étape
Paso
46 x 2

40 x 2

41 x 1

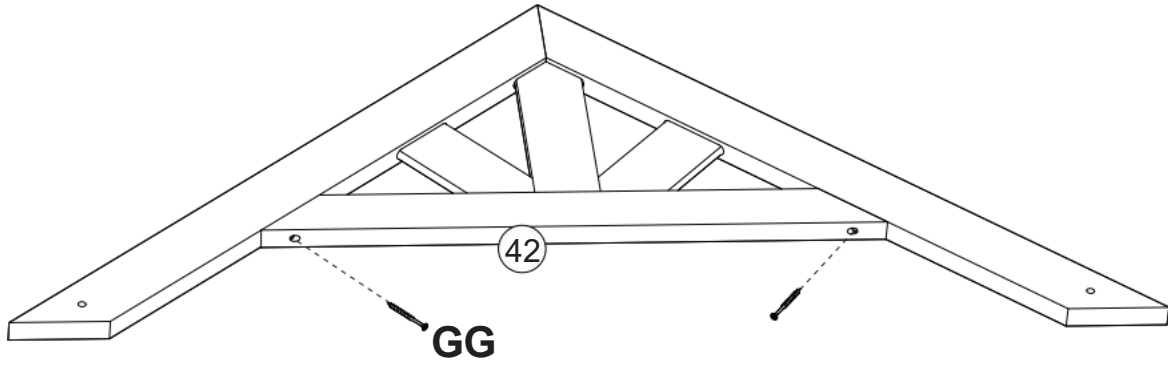
42 x 1



Step
Étape
Paso
47 x 2

42 x 1

G x 2

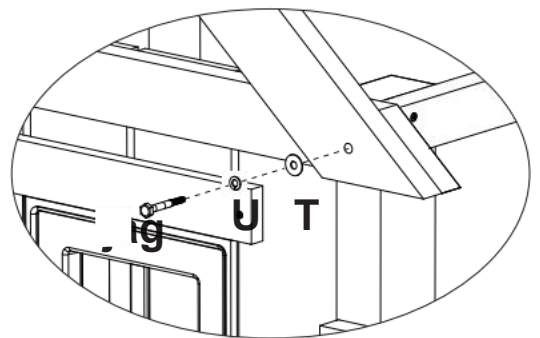
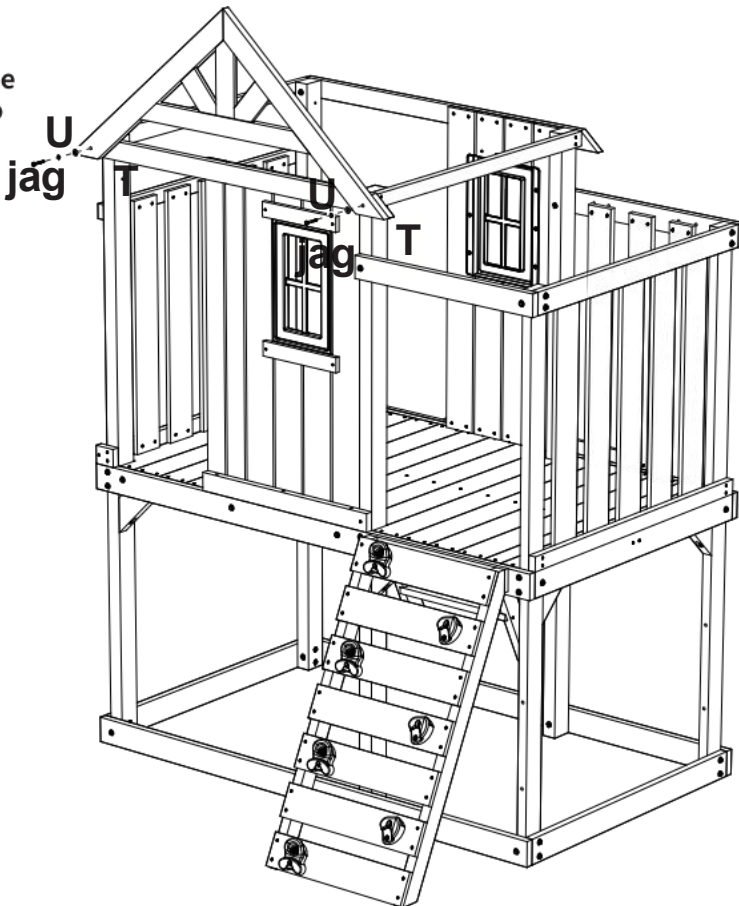


Step
Étape
Paso
48

jäg x 2

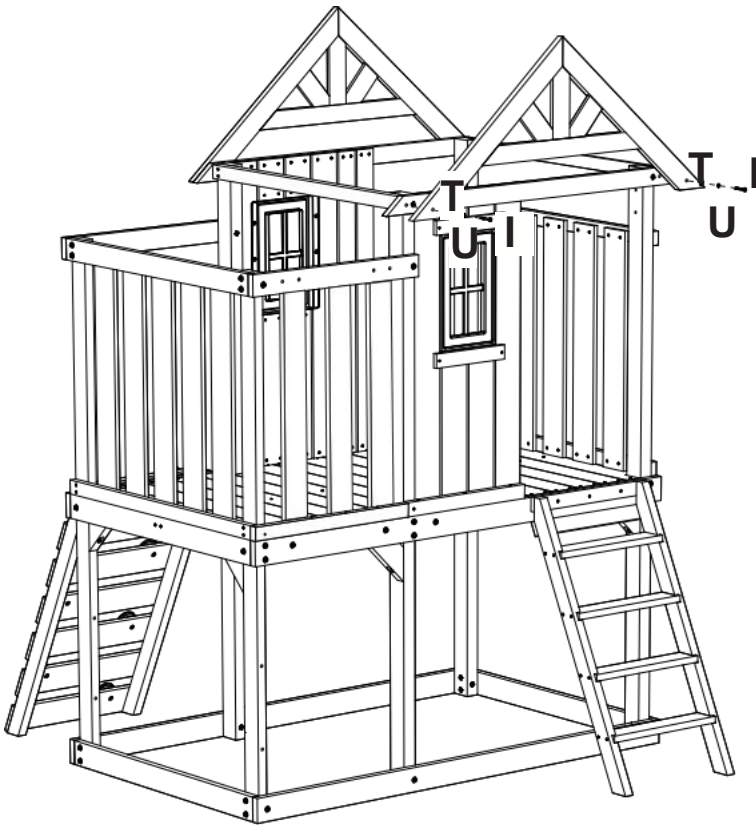
T x 2

U x 2



Step
Étape
Paso

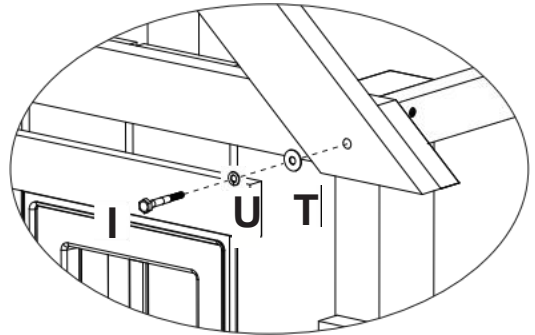
49



⓵ x 2

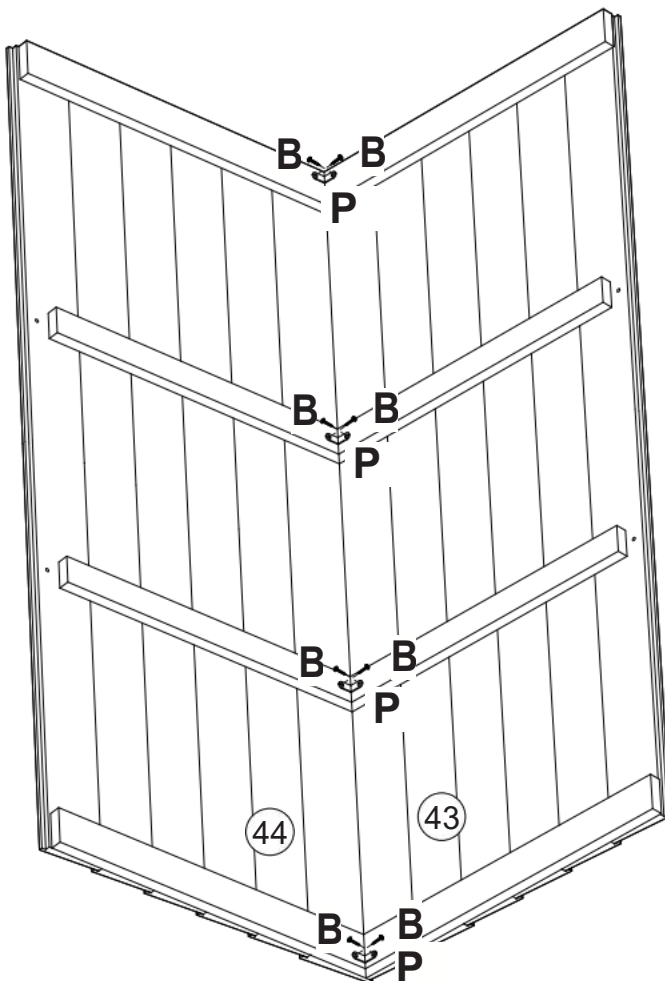
Ⓣ x 2

Ⓤ x 2



Step
Étape
Paso

50

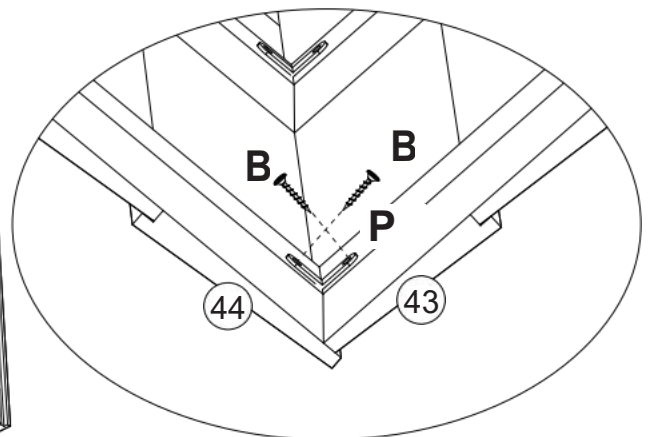


Ⓒⓓ x 1

Ⓒⓔ x 1

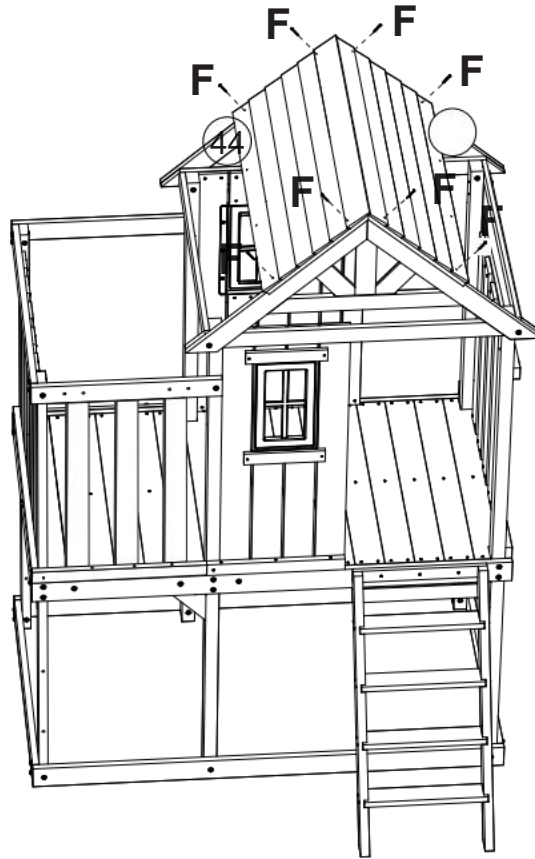
Ⓑ x 8

Ⓟ x 4



Step
Étape
Paso

51



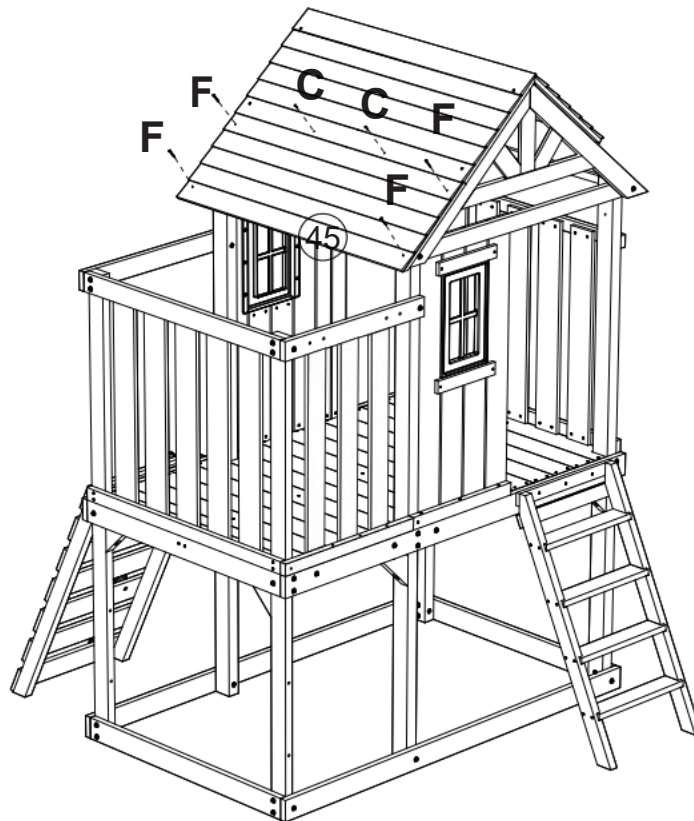
43 x 1

44 x 1

F x 8

Step
Étape
Paso

52



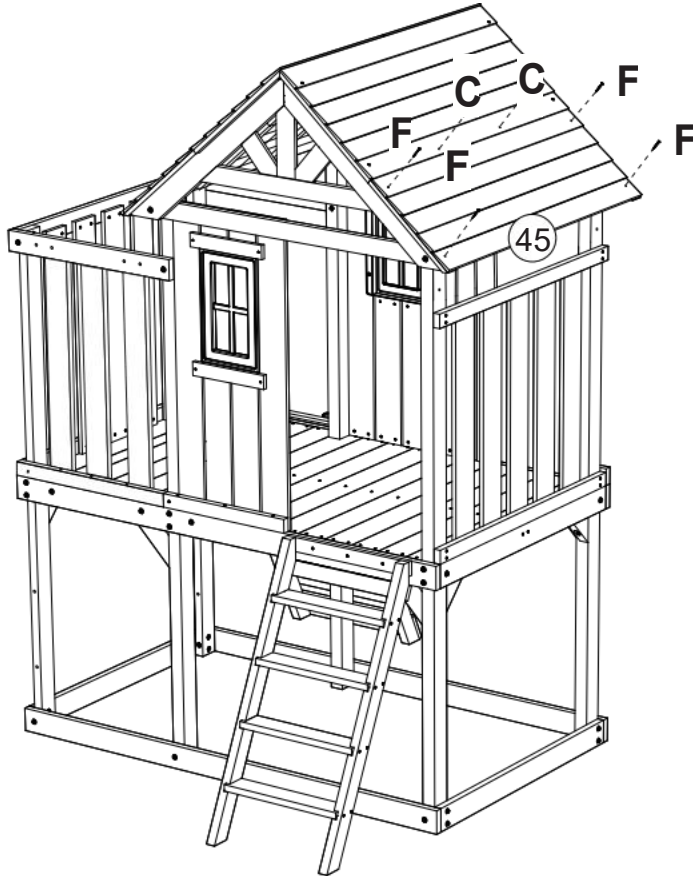
45 x 1

C x 2

F x 4

Step
Étape
Paso

53



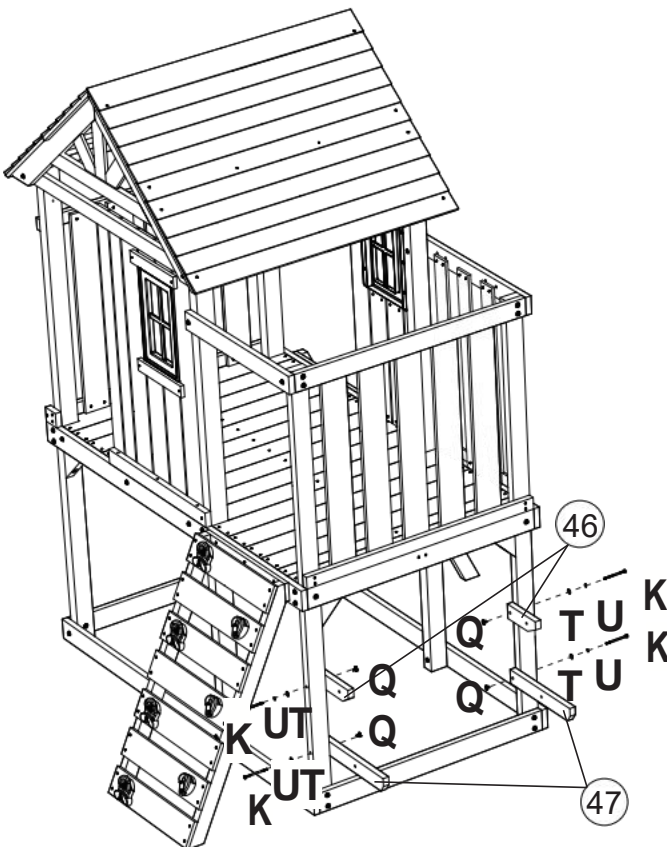
45 x 1

C x 2

F x 4

Step
Étape
Paso

54



46 x 2

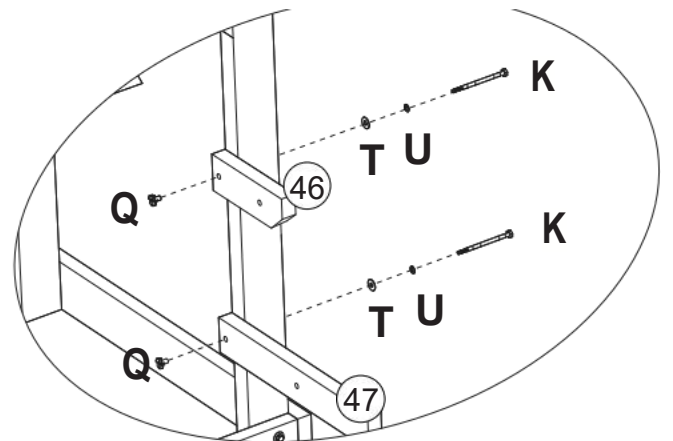
47 x 2

K x 4

Q x 4

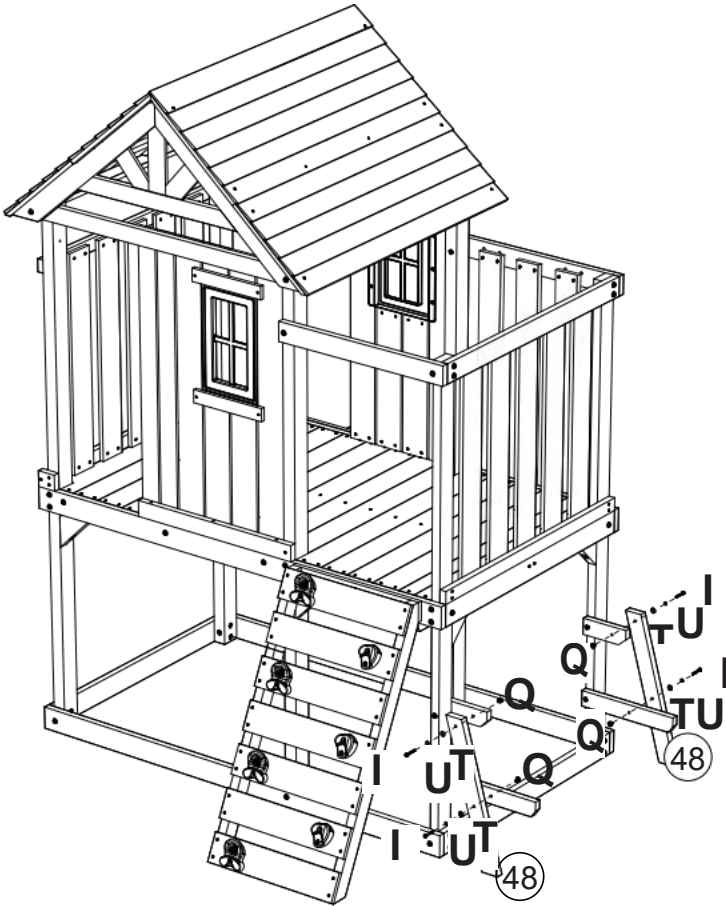
T x 4

U x 4



Step
Étape
Paso

55



48 x 2

jag x 4

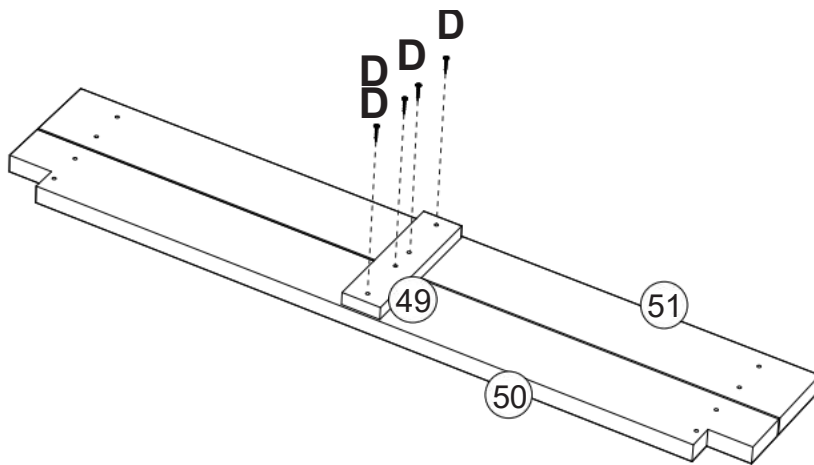
Q x 4

T x 4

U x 4

Step
Étape
Paso

56



49 x 1

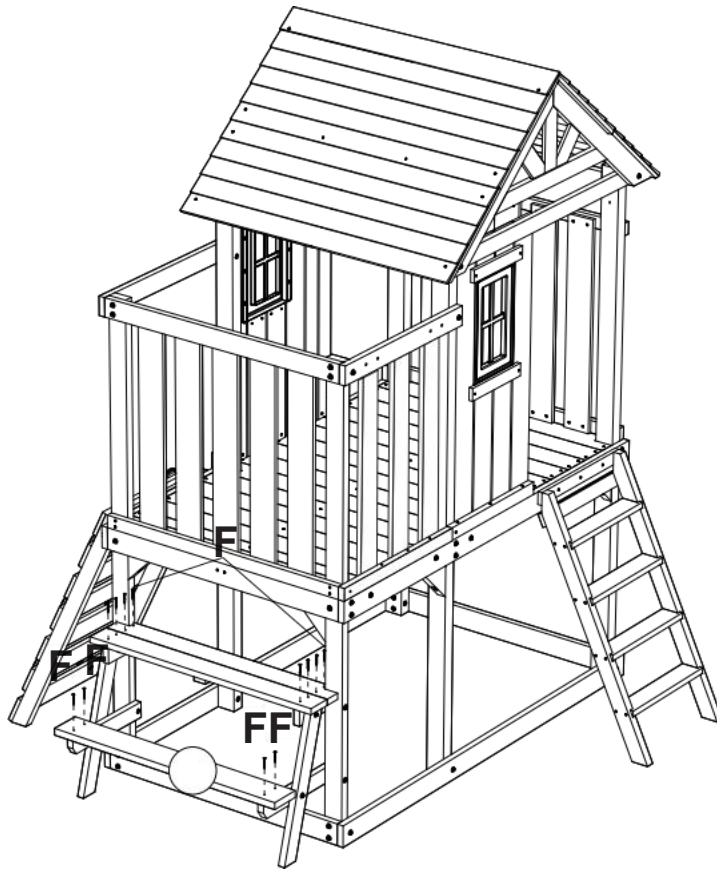
50 x 1

51 x 1

D x 4

Step
Étape
Paso

57

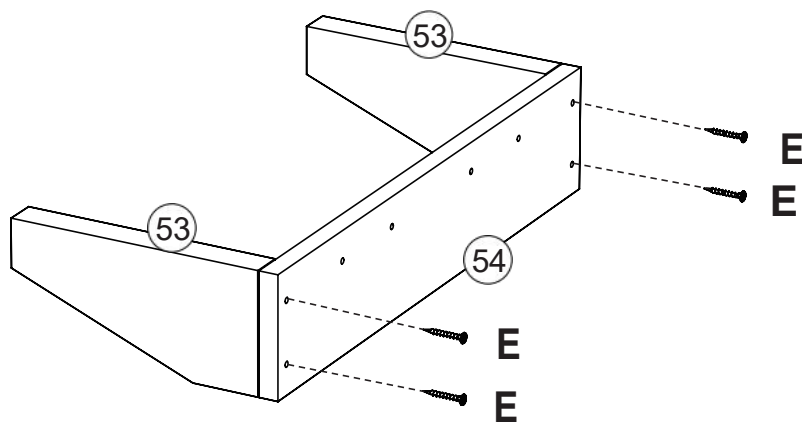


52 x 1

F x 12

Step
Étape
Paso

58



53 x 2

54 x 1

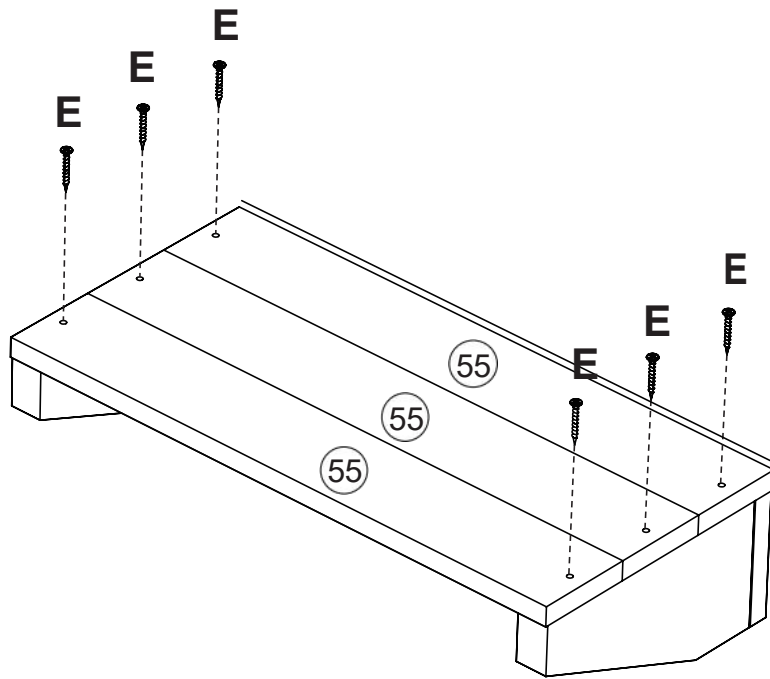
E x 4

Step
Étape
Paso

59

55 x 3

E x 6

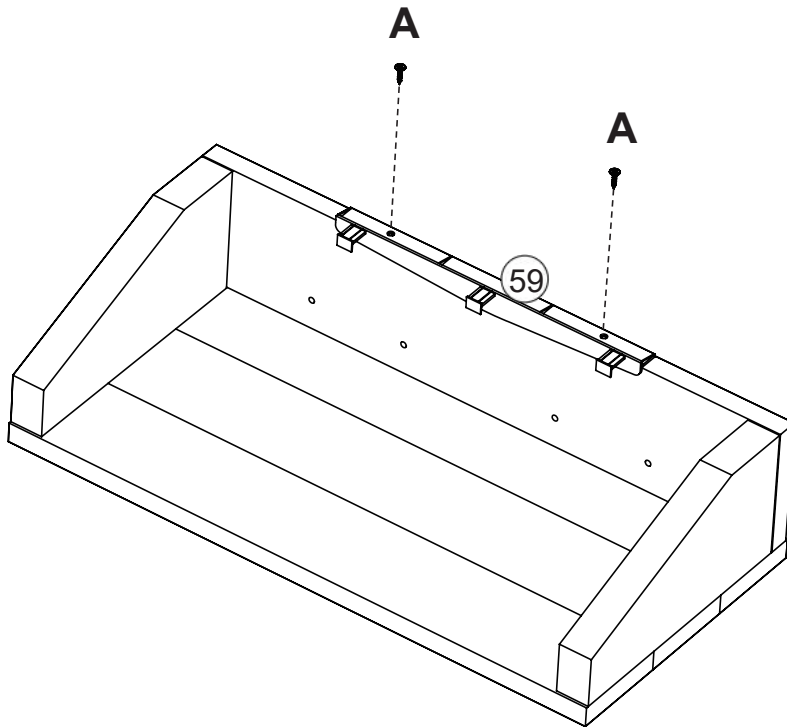


Step
Étape
Paso

60

59 x 1

A x 2



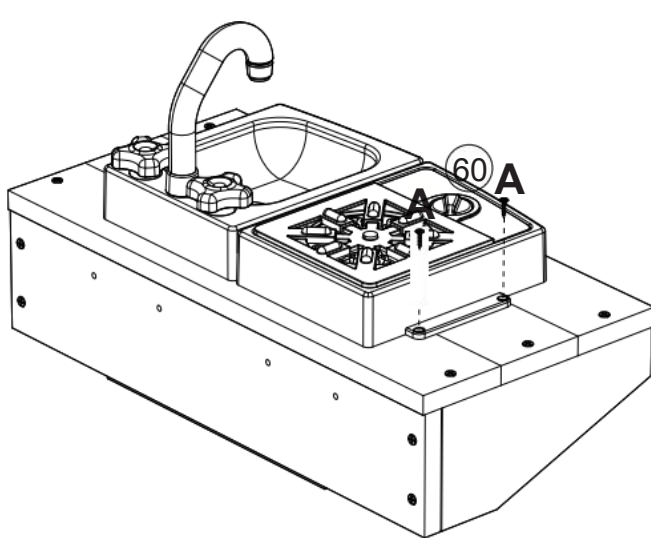
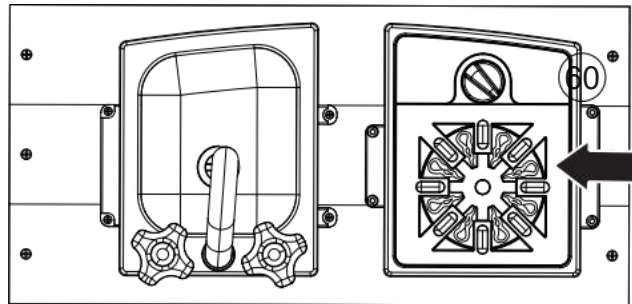
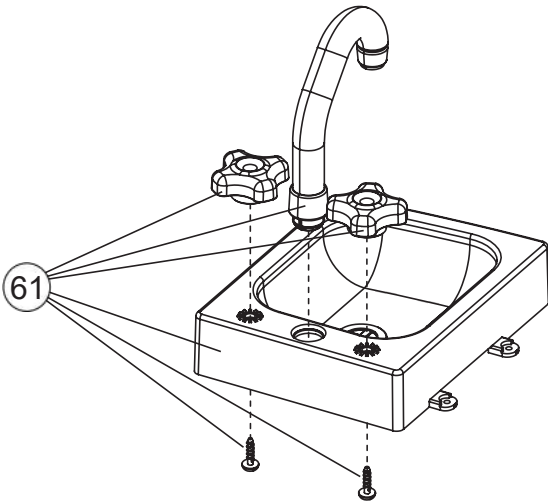
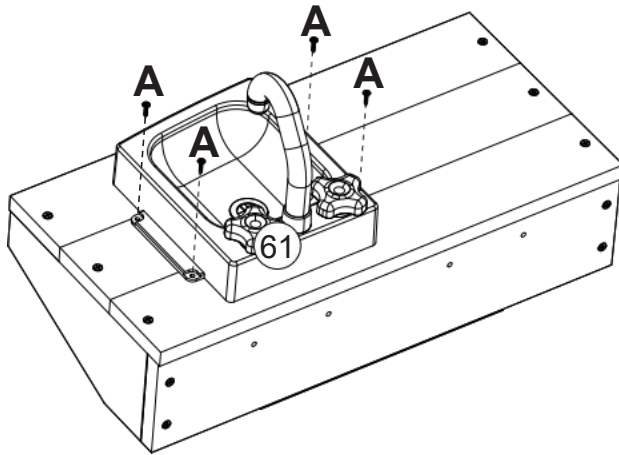
Step
Étape
Paso

61

60 x 1

61 x 1

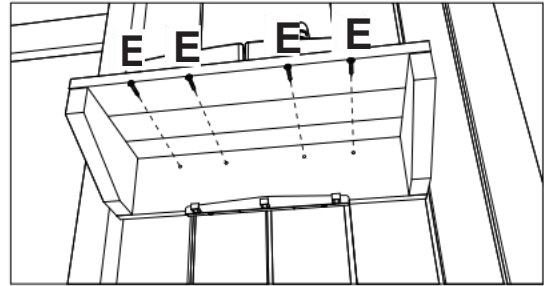
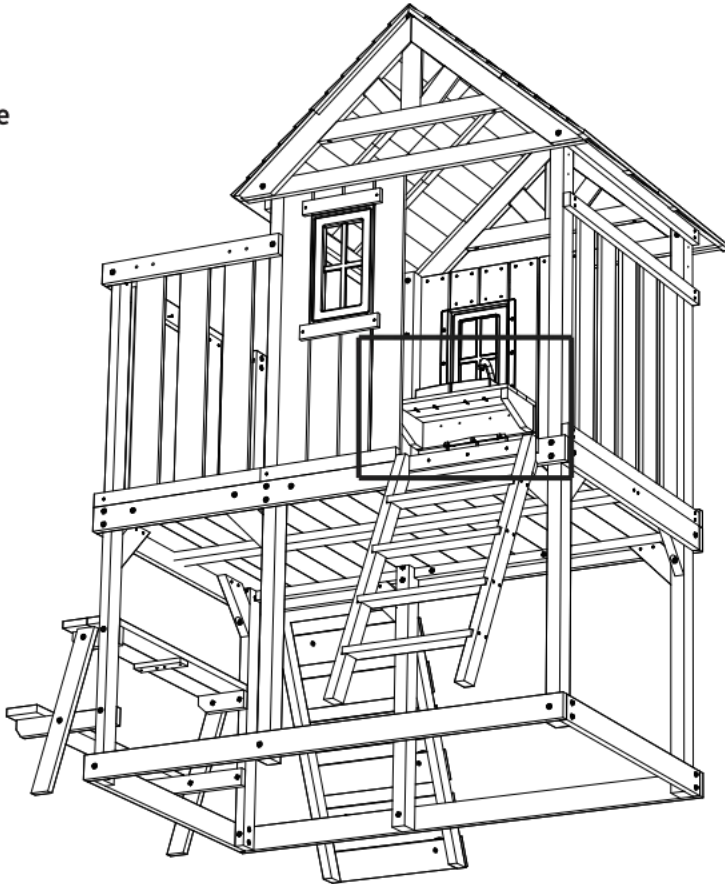
A x 6



Ⓔ x 4

Step
Étape
Paso

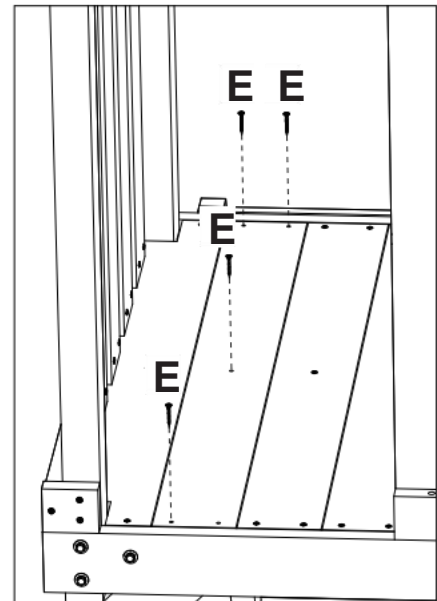
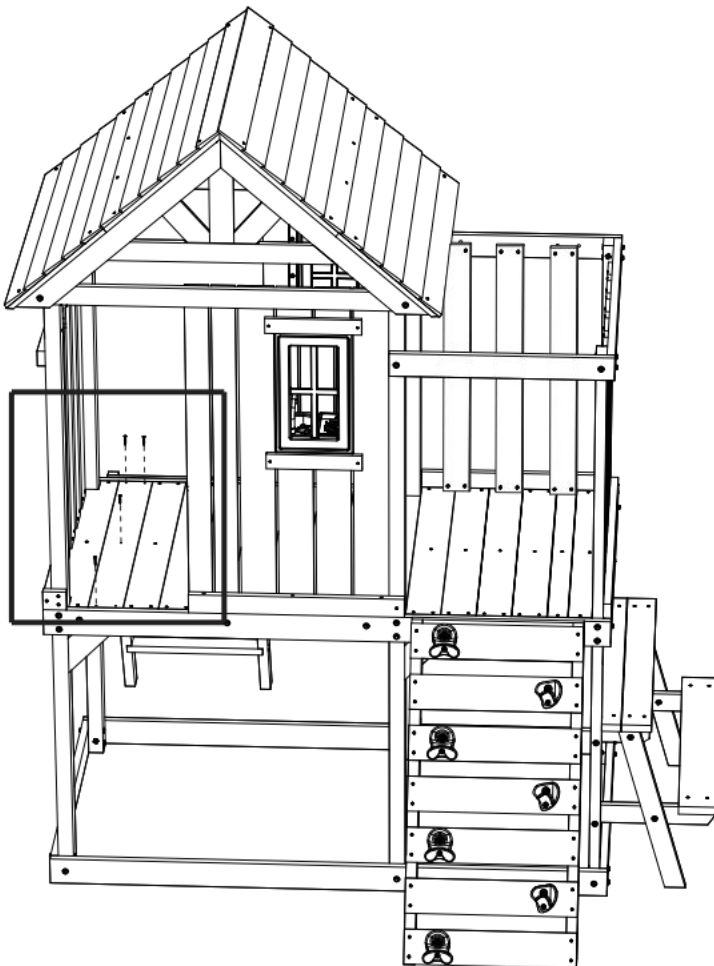
62



Ⓔ x 4

Step
Étape
Paso

63



Step
Étape
Paso

64



62 x 1

F x 2

S x 2

Step
Étape
Paso

65

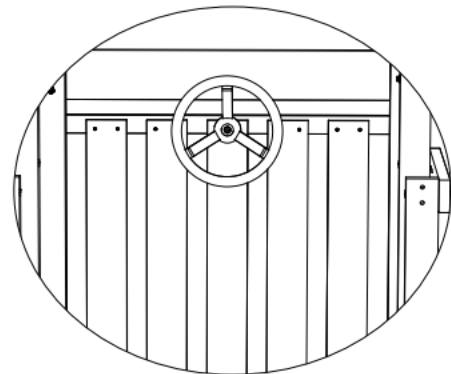
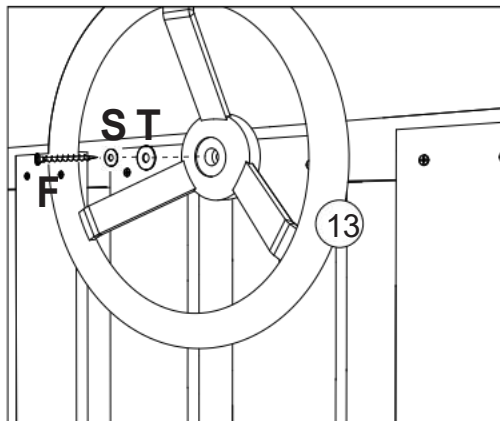


13 x 1

F x 1

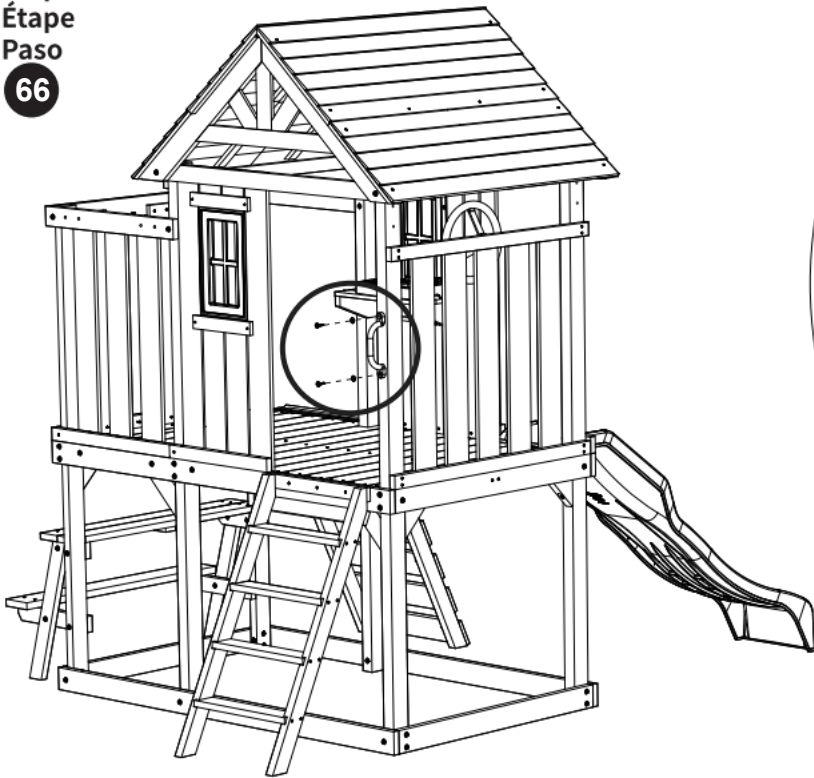
S x 1

T x 1



Step
Étape
Paso

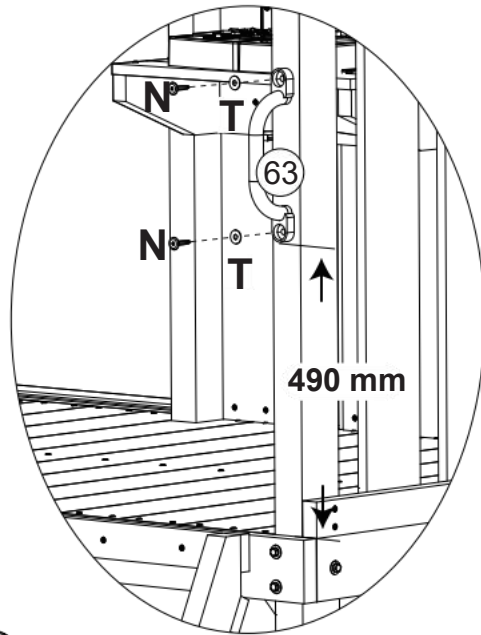
66



63 x 1

N x 2

T x 2



Step
Étape
Paso

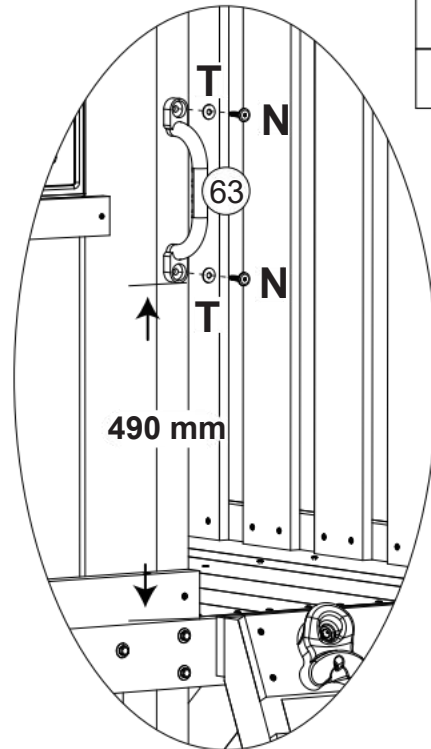
67



63 x 1

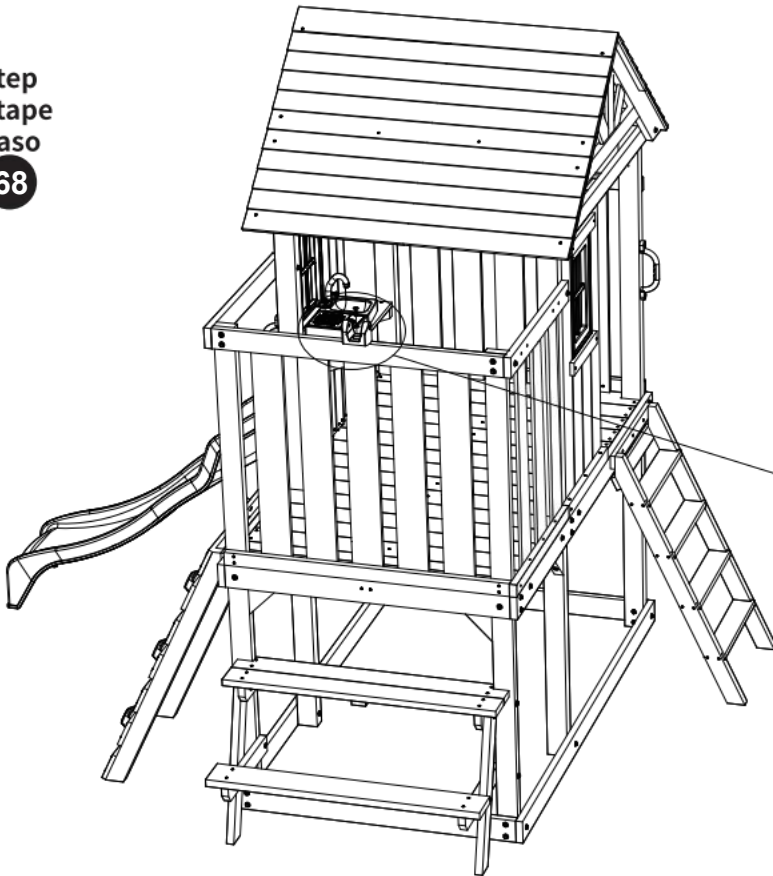
N x 2

T x 2



Step
Étape
Paso

68

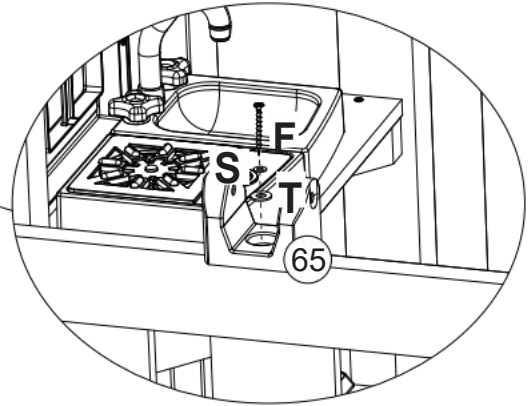


65 x 1

F x 1

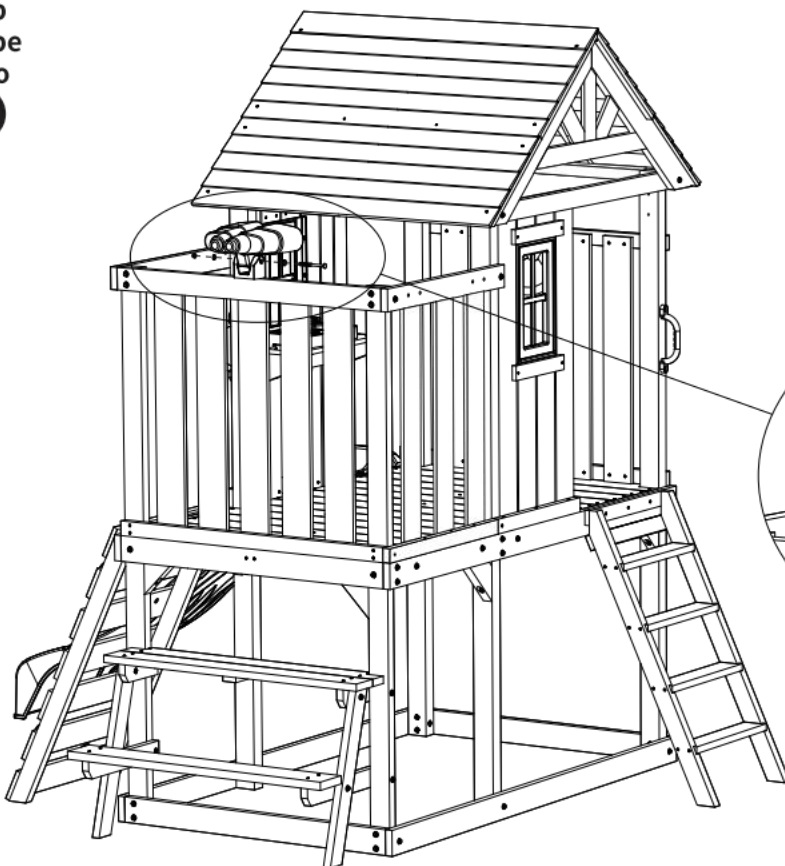
S x 1

T x 1

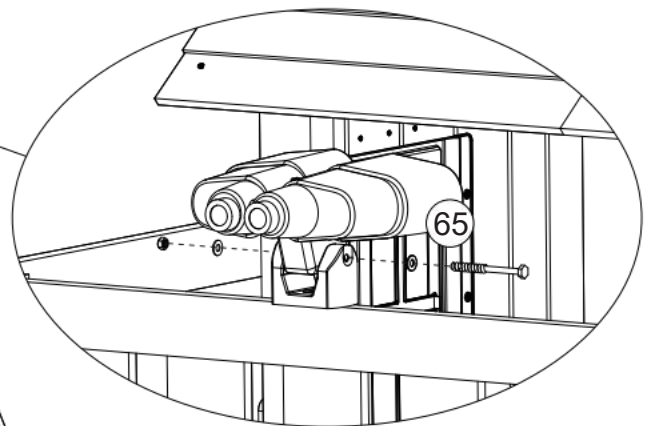


Step
Étape
Paso

69



65 x 1



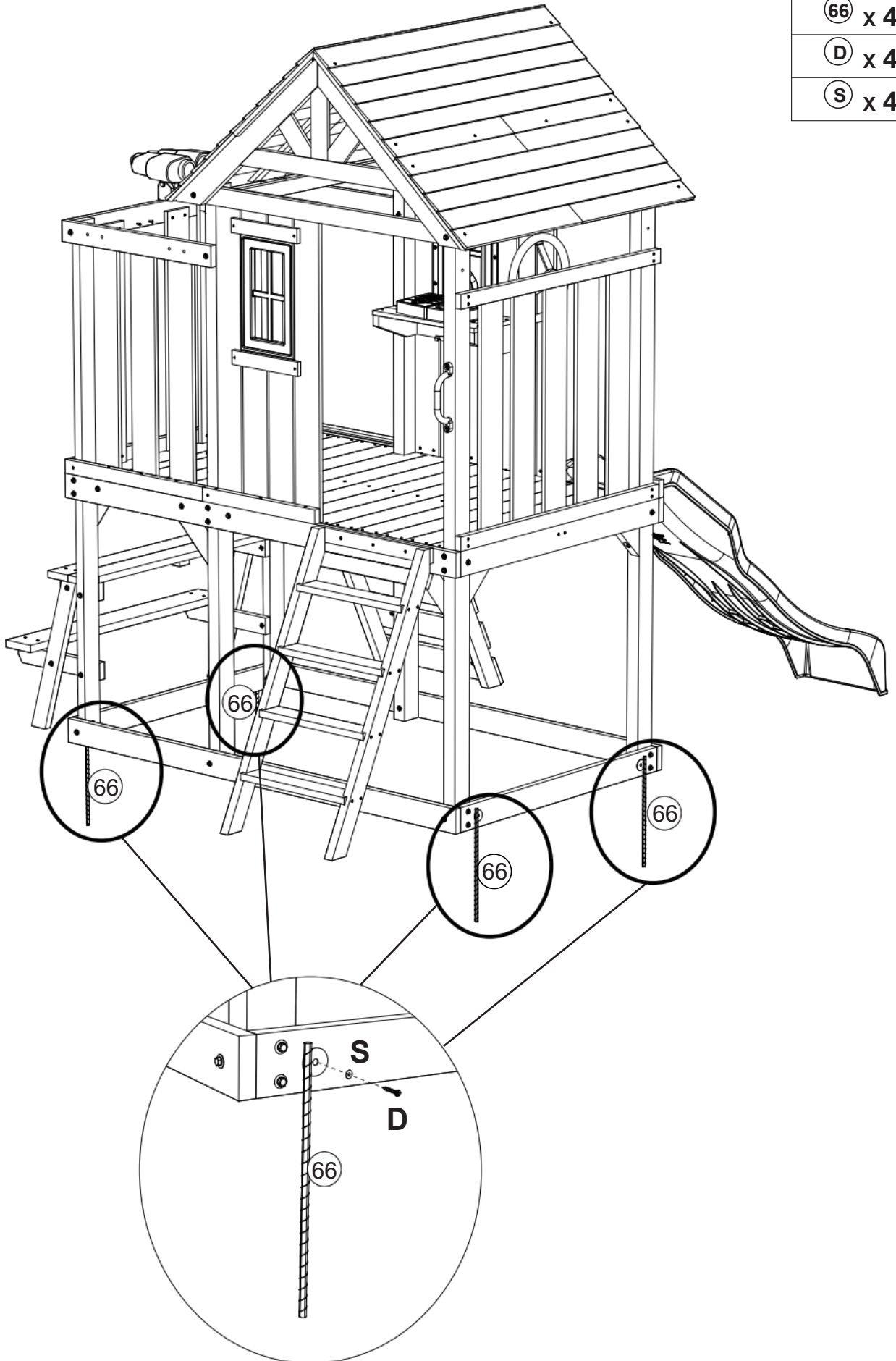
Step
Étape
Paso

70

66 x 4

D x 4

S x 4



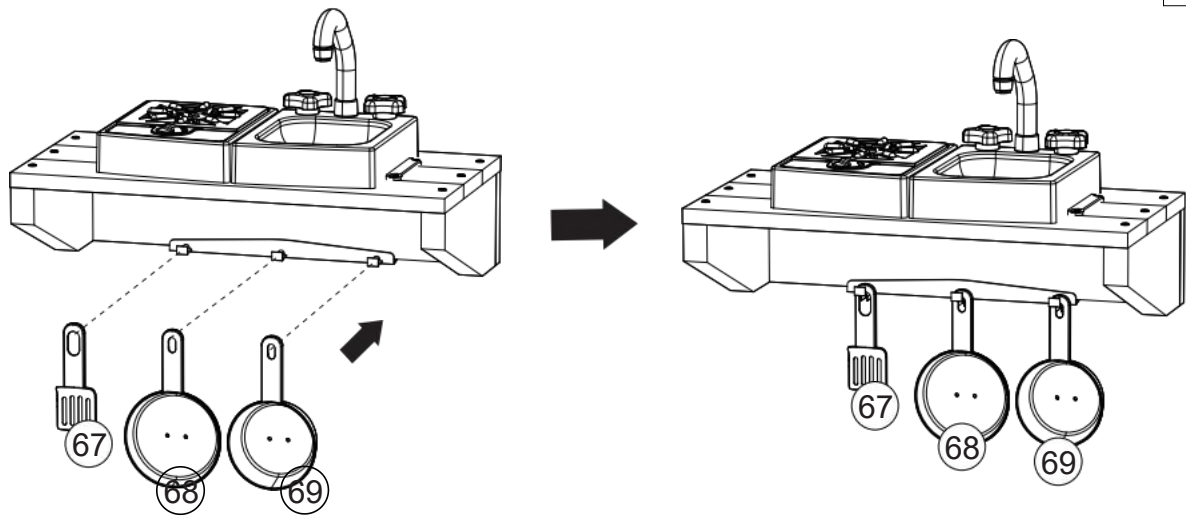
Step
Étape
Paso

71

67 x 1

68 x 1

69 x 1



MAINTENANCE

1. Clean and disinfect your product frequently to keep it clean and hygienic.
2. Check the reliability of the parts before use.

Manufacturer: Heze Jingran Woodware Co., Ltd.

Address: Zhuangzhai Town Industrial Park, Cao County, Shandong Province

EC REP: E-CrossStu GmbH.

Mainzer Landstr.69, 60329 Frankfurt am Main.

UK REP: YH CONSULTING LIMITED.

C/O YH Consulting Limited Office 147, Centurion House, London Road, Staines-upon-Thames, Surrey, TW18 4AX

Imported to AUS: SIHAO PTY LTD.

1 ROKEVA STREETEASTWOOD NSW 2122 Australia

Imported to USA: Sanven Technology Ltd.

Suite 250, 9166 Anaheim Place, Rancho Cucamonga, CA 91730

VEVOR®

TÅRA VERKTYG, HALV PRIS

Teknisk support och E-garanticertifikat
www.vevor.com/support