

# LINDALE PLAYSET - F29130

## INSTALLATION AND OPERATING INSTRUCTIONS



### WARNING

To reduce the risk of serious injury or death, you must read and follow these instructions. Keep and refer to these instructions often and give them to any future owner of this play system. Manufacturer contact information provided below.

OBSTACLE FREE SAFETY ZONE - 27' 5/8" x 26' 1-1/2" (8.25m x 7.96m) area requires Protective Surfacing. See page 3.

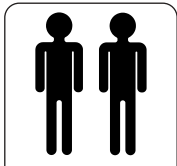
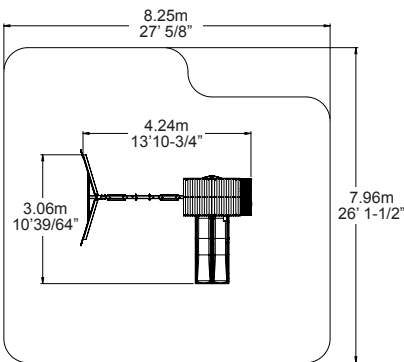
MAXIMUM VERTICAL FALL HEIGHT - 6'4" (1.93m)

CAPACITY - 9 Users Maximum, Ages 3 to 10;

Weight Limit 110 lbs. (49.9 kg) per child.

RESIDENTIAL HOME USE ONLY. Not intended for public areas such as schools, churches, nurseries, day cares or parks.

WARNING. Only for domestic use.



10 - 14 Hrs

**TWO PERSON  
ASSEMBLY**



**FOR OUTDOOR FAMILY DOMESTIC USE ONLY**

Cedar Summit by KidKraft  
4630 Olin Road  
Dallas, TX 75244, United States  
customerservice@kidkraft.com  
Online Parts Replacement: parts.kidkraft.com  
To warranty your product: kidkraft.com/warranty/  
Customer Service: 1(800) 933-0771 or (972) 385-0100

KidKraft Netherlands BV  
Olympisch Stadion 8  
1076 DE Amsterdam, The Netherlands

Europe Customer Service: +31 (0)20 305 8620  
europecustomerservice@kidkraft.com  
EU Online Parts Replacement: parts.kidkraft.eu

### Table of Contents

Warnings and Safe Play Instructions. . . . .	pg. 2
Protective Surfacing Guidelines . . . . .	pg. 3
Instructions for Proper Maintenance . . . . .	pg. 4
About Our Wood – Limited Warranty. . . . .	pg. 5
Keys to Assembly Success . . . . .	pg. 6
Part ID . . . . .	pg. 7
Step-By-Step Instructions . . . . .	pg. 14



# Warnings and Safe Play Instructions



**CONTINUOUS ADULT SUPERVISION REQUIRED.** Most serious injuries and deaths on playground equipment have occurred while children were unsupervised! Our products are designed to meet mandatory and voluntary safety standards. Complying with all warnings and recommendations in these instructions will reduce the risk of serious or fatal injury to children using this play system. Go over the warnings and safe play instructions regularly with your children and make certain that they understand and follow them. Remember on-site adult supervision is required for children of all ages.



## WARNING

### SERIOUS HEAD INJURY HAZARD

Installation over concrete, asphalt, dirt, grass, carpet and other hard surface creates a risk of serious injury or death from falls to the ground. Install and maintain shock absorbing material under and around play-set as recommended on page 3 of these instructions.

### COLLISION HAZARD

Place play-set on level ground at least 2m from any obstruction such as a garage or house, fences, poles, trees, sidewalks, walls, landscape timbers, rocks, pavement, planters, garden borders, overhanging branches, laundry lines, and electrical wires. (See OBSTACLE FREE SAFETY ZONE on cover).

### CHOKING HAZARD/SHARP EDGES & POINTS

Adult assembly required. This product contains small parts and parts with sharp edges and points. Keep parts away from children until fully assembled.

### WARNING:

Lawn swings are designed for use by children two years of age and older. The use by children under the age of two can result in entrapment between the seat and back rest because the child's body may pass through the opening, causing entrapment of the child's head. Such entrapment may result in strangulation. NEVER place children in a rearward facing position or with legs between the seat and backrest.

### STRANGULATION HAZARD

- NEVER allow children to play with ropes, clotheslines, pet leashes, cables, chains or cord-like items when using this play-set or to attach these items to play-set.
- NEVER allow children to wear loose fitting clothing, ponchos, hoods, scarves, capes, necklaces, items with draw-strings, cords or ties when using this play-set.
- NEVER allow children to wear bike or sport helmets when using this play-set.

Failure to prohibit these items, even helmets with chin straps, increases the risk of serious injury and death to children from entanglement and strangulation.

### TIP OVER HAZARD

Choose a level location for the equipment. This can reduce the likelihood of the play set tipping over and loose-fill surfacing materials washing away during heavy rains.

DO NOT allow children to play on the playhouse until the assembly is complete and the unit is properly anchored.

Never add extra length to chain or rope. The chains or ropes provided are the maximum length designed for the swinging element(s).

### WARNING LABEL

Owners shall be responsible for maintaining the legibility of the warning labels.



## WARNING – Safe Play Instructions

- ✓ Observe capacity limitations of your play-set. See front cover.
- ✓ Dress children with well fitting and full foot enclosing footwear.
- ✓ Teach children to sit with their full weight in the center of the swing seat to prevent erratic swing motion or falling off.
- ✓ Check for splintered, broken or cracked wood; missing, loose, or sharp edged hardware. Replace, tighten and or sand smooth as required prior to playing.
- ✓ Verify that suspended climbing ropes, rope ladders, chain or cable are secured at both ends and cannot be looped back on itself as to create an entanglement hazard.
- ✓ On sunny and or hot days, check the slide and other plastic rides to assure that they are not very hot as to cause burns. Cool hot slide and rides with water and wipe dry prior to using.
- ✓ Orientate slide such that it gets the least amount of exposure to the sun.
- ✗ Do not allow children to wear open toe or heel footwear like sandals, flip-flops or clogs.
- ✗ Do not allow children to walk, in front, between, behind or close to moving rides.
- ✗ Do not let children twist swing chains or ropes or loop them over the top support bar. This may reduce the strength of the chain or rope and cause premature failure.
- ✗ Do not let children get off rides while they are in motion.
- ✗ Do not permit climbing on equipment when it is wet.
- ✗ Do not permit rough play or use of equipment in a manner for which it was not intended. Standing on or jumping from the roof, elevated platforms, swings, climbers, ladders or slide can be dangerous.
- ✗ Do not allow children to swing empty rides or seats.
- ✗ Do not allow children to go down slide head first or run up slide.

# ! Protective Surfacing - Reducing Risk of Serious Head Injury From Falls

One of the most important things you can do to reduce the likelihood of serious head injuries is to install shock-absorbing protective surfacing under and around your play equipment. The protective surfacing should be applied to a depth that is suitable for the equipment height in accordance with ASTM F1292. There are different types of surfacing to choose from; whichever product you select, follow these guidelines:

## Loose-Fill Materials

- Maintain a minimum depth of 9 inches of loose-fill materials such as wood mulch/chips, engineered wood fiber (EWF), or shredded/recycled rubber mulch for equipment up to 8 feet high; and 9 inches of sand or pea gravel for equipment up to 5 feet high. NOTE: An initial fill level of 12 inches will compress to about a 9-inch depth of surfacing over time. The surfacing will also compact, displace, and settle, and should be periodically raked and refilled to maintain at least a 9-inch depth.
- Use a minimum of 6 inches of protective surfacing for play equipment less than 4 feet in height. If maintained properly, this should be adequate. (At depths less than 6 inches, the protective material is too easily displaced or compacted.)

NOTE: Do not install home playground equipment over concrete, asphalt, or any other hard surface. A fall onto a hard surface can result in serious injury to the equipment user. Grass and dirt are not considered protective surfacing because wear and environmental factors can reduce their shock absorbing effectiveness. Carpeting and thin mats are not adequate protective surfacing. Ground level equipment -- such as a sandbox, activity wall, playhouse or other equipment that has no elevated play surface -- does not need any protective surfacing.

- Use containment, such as digging out around the perimeter and/or lining the perimeter with landscape edging. Don't forget to account for water drainage.
- Periodically rake, check and maintain the depth of the loose-fill surfacing material. Marking the correct depth on the play equipment support posts will help you to see when the material has settled and needs to be raked and or replenished. Be sure to rake and evenly redistribute the surfacing in heavily used areas.
- Do not install loose fill surfacing over hard surfaces such as concrete or asphalt.

## Poured-In-Place Surfaces or Pre-Manufactured Rubber Tiles

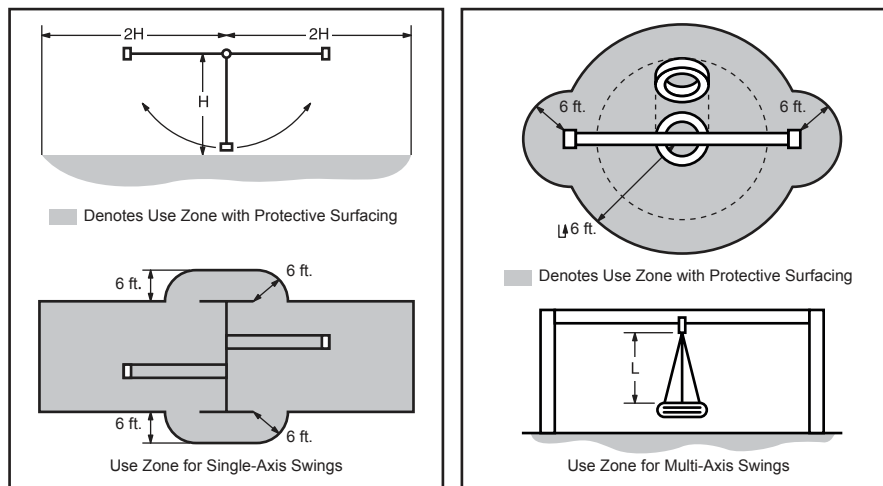
You may be interested in using surfacing other than loose-fill materials - like rubber tiles or poured-in-place surfaces.

- Installations of these surfaces generally require a professional and are not "do-it yourself" projects.
- Review surface specifications before purchasing this type of surfacing. Ask the installer/manufacturer for a report showing that the product has been tested to the following safety standard: ASTM F1292 *Standard Specification for Impact Attenuation of Surfacing Materials within the Use Zone of Playground Equipment*. This report should show the specific height for which the surface is intended to protect against serious head injury. This height should be equal to or greater than the fall height - vertical distance between a designated play surface (*elevated surface for standing, sitting, or climbing*) and the protective surfacing below - of your play equipment.
- Check the protective surfacing frequently for wear.

## Placement

Proper placement and maintenance of protective surfacing is essential. Refer to diagram on front cover. Be sure to;

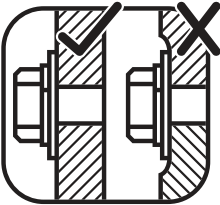
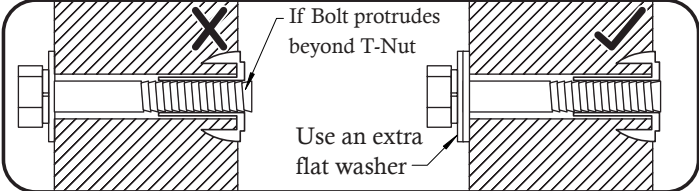
- Extend surfacing at least 6 feet from the equipment in all directions.
- For to-fro swings, extend protective surfacing in front of and behind the swing to a distance equal to twice the height of the top bar from which the swing is suspended.
- For tire swings, extend surfacing in a circle whose radius is equal to the height of the suspending chain or rope, plus 6 feet in all directions.



# Instructions for Proper Maintenance

Your Cedar Summit Play System is designed and constructed of quality materials with your child's safety in mind. As with all outdoor products used by children, it will weather and wear. To maximize the enjoyment, safety and life of your Play Set, it is important that you, the owner, properly maintain it.

## Check the following at the beginning of the play season:

<p><b>HARDWARE:</b></p> <ul style="list-style-type: none"> <li>✓ Check metal parts for rust. If found, sand and repaint using a non-lead paint complying with 16 CFR 1303.</li> <li>✓ Inspect and tighten all hardware. On wood assemblies <b>DO NOT OVER-TIGHTEN</b> as to cause crushing and splintering of wood.</li> <li>✓ Check for sharp edges or protruding screw threads, add washers if required.</li> </ul>   <p><b>SHOCK ABSORBING SURFACING:</b></p> <ul style="list-style-type: none"> <li>✓ Check for foreign objects. Rake and check depth of loose fill protective surfacing materials to prevent compaction and maintain appropriate depth. Replace as necessary. (See Protective Surfacing, page 3)</li> </ul>	<p><b>GROUND STAKES (ANCHORS):</b></p> <ul style="list-style-type: none"> <li>✓ Check for looseness, damage or deterioration. Should firmly anchor unit to ground during use. Re-secure and or replace, if necessary.</li> </ul> <p><b>SWING HANGERS:</b></p> <ul style="list-style-type: none"> <li>✓ Check that bolts are secure and tight. Quick clips should be completely closed and threaded clips screwed tight.</li> <li>✓ If squeaking occurs lubricate bushings with oil or WD-40®.</li> </ul> <p><b>SWINGS, ROPES AND RIDES:</b></p> <ul style="list-style-type: none"> <li>✓ Reinstall if removed during cold season. Check all moving parts including swing seats, ropes, chains and attachments for wear, rust and other deterioration. Replace as needed.</li> <li>✓ Check that ropes are tight, secure at both ends and cannot loop back as to create an entrapment.</li> </ul> <p><b>WOOD PARTS:</b></p> <ul style="list-style-type: none"> <li>✓ Check all wood members for deterioration, structural damage and splintering. Sand down splinters and replace deteriorated wood members. As with all wood, some checking and small cracks in grain is normal.</li> <li>✓ Applying a water repellent or stain (water-based) on a yearly basis is important maintenance to maintain maximum life and performance of the product.</li> </ul>
--	---

## Check twice a month during play season:

<p><b>HARDWARE:</b></p> <ul style="list-style-type: none"> <li>✓ Inspect for tightness. Must be firmly against, but not crushing the wood. <b>DO NOT OVER-TIGHTEN.</b> This will cause splintering of wood.</li> <li>✓ Check for sharp edges or protruding screw threads. Add washers if required.</li> </ul>	<p><b>SHOCK ABSORBING SURFACING:</b></p> <ul style="list-style-type: none"> <li>✓ Rake and check depth of loose fill protective surfacing materials to prevent compaction and maintain appropriate depth. Replace as necessary. (See Protective Surfacing, page 3)</li> </ul>
---	---

## Check once a month during play season:

<p><b>SWING HANGERS:</b></p> <ul style="list-style-type: none"> <li>✓ Check that they are secure and orientated correctly. Hook should rotate freely and perpendicular to support beam.</li> <li>✓ If squeaking occurs lubricate bushings with oil or WD-40®.</li> </ul>	<p><b>SWINGS AND RIDES:</b></p> <ul style="list-style-type: none"> <li>✓ Check swing seats, all ropes, chains and attachments for fraying, wear, excessive corrosion or damage. Replace if structurally damaged or deteriorated.</li> </ul>
--	---

## Check at the end of the play season:

<p><b>SWINGS AND RIDES:</b></p> <ul style="list-style-type: none"> <li>✓ To prolong their life, remove swings and store inside when outside temperature is below 32°F/0°C. Below freezing, plastic parts may become more brittle.</li> </ul>	<p><b>SHOCK ABSORBING SURFACING:</b></p> <ul style="list-style-type: none"> <li>✓ Rake and check depth of loose fill protective surfacing materials to prevent compaction and maintain appropriate depth. Replace as necessary. (See Protective Surfacing, page 3)</li> </ul>
--	---

**If you dispose of your play set:** Please disassemble and dispose of your unit so that it does not create any unreasonable hazards at the time it is discarded. Be sure to follow your local waste ordinances.

# About Our Wood

Cedar Summit Premium Play Systems uses 100% FSC wood. Although we take great care in selecting the best quality lumber available, wood is still a product of nature and susceptible to weathering which can change the appearance of your set.

## What causes weathering? Does it affect the strength of my Play System?

One of the main reasons for weathering is the effects of water (moisture); the moisture content of the wood at the surface is different than the interior of the wood. As the climate changes, moisture moves in or out of the wood, causing tension which can result in checking and or warping. You can expect the following due to weathering. These changes will not affect the strength of the product:

1. **Checking** is surface cracks in the wood along the grain. A post (4" x 4") will experience more checking than a board (1" x 4") because the surface and interior moisture content will vary more widely than in thinner wood.
2. **Warping** results from any distortion (twisting, cupping) from the original plane of the board and often happens from rapid wetting and drying of the wood.
3. **Fading** happens as a natural change in the wood color as it is exposed to sun-light and will turn a grey over time.

## How can I reduce the amount of weathering to my Play System?

At the factory we have coated the wood with a water repellent or stain. This coating decreases the amount of water absorption during rain or snow thus decreasing the tension in the wood. Sunlight will break down the coating, applying a water repellent or stain on a yearly basis is important maintenance. (see your local stain and paint supplier for a recommended product)

Most weathering is just the normal result of nature and will not affect safe play and enjoyment for your child. However if you are concerned that a part has experienced a severe weathering problem please call our consumer relations department for further assistance.

## Complete and mail registration card to receive important product notifications and assure prompt warranty service.

### 10 Year Limited Warranty

Cedar Summit by KidKraft warrants that this product is free from defect in materials and workmanship for a period of one year from the original date of purchase. In addition, lumber is warranted for 10 years against structural failure due to rot and insect damage. All other parts, such as hardware, swings, rides, accessories, and slides carry a one-year warranty only.

This warranty applies to the original owner and registrant and is non-transferable.

Regular maintenance is required to assure the integrity of your Play System. Failure by the owner to maintain the product according to the maintenance requirements may void this warranty. This warranty does not cover any inspection cost.

This Limited Warranty does not cover:

- Labour for replacement of any defective item(s);
- Incidental or consequential damages;
- Cosmetic defects which do not affect performance or integrity;
- Vandalism; improper use or installation; acts of nature;
- Minor twisting, warping, checking, or any other natural occurring properties of wood that do not affect performance or integrity.

Cedar Summit by KidKraft products have been designed for safety and quality. Any modifications made to the original product could damage the structural integrity of the unit leading to failure and possible injury. Cedar Summit by KidKraft cannot assume any responsibility for modified products. Furthermore, modification voids any and all warranties.

This product is warranted for **RESIDENTIAL USE ONLY**. Under no circumstance should a Cedar Summit by KidKraft Play System be used in public settings such as schools, churches, playgrounds, parks, day cares and the like. Such use may lead to product failure and potential injury. Any and all public use will void this warranty.

Cedar Summit by KidKraft disclaims all other representations and warranties of any kind, express or implied.

This Warranty gives you specific legal rights. You may have other rights as well which vary from state to state or province to province. This warranty excludes all consequential damages, however, some states do not allow the limitation or exclusion of consequential damages, and therefore this limitation may not apply to you.

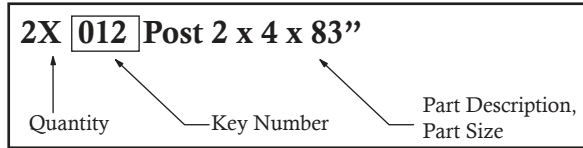
# Keys to Assembly Success

## Tools Required

<ul style="list-style-type: none"> <li>• Tape Measure</li> <li>• Carpenters Level</li> <li>• Carpenters Square</li> <li>• Claw Hammer</li> <li>• Standard or Cordless Drill</li> </ul>	<ul style="list-style-type: none"> <li>• #1 Phillips, #2 Robertson and Screwdriver</li> <li>• Ratchet with extension (1/2" &amp; 9/16" sockets)</li> </ul>	<ul style="list-style-type: none"> <li>• Open End Wrench (1/2" &amp; 9/16")</li> <li>• Adjustable Wrench</li> <li>• 1/8" &amp; 3/16" Drill Bits</li> </ul>	<ul style="list-style-type: none"> <li>• 3/16" Hex Key</li> <li>• 8' Step Ladder</li> <li>• Safety Glasses</li> <li>• Adult Helpers</li> <li>• Pencil</li> </ul>
--	--	--	--

### Part Identification Key

On each page, you will find the parts and quantities required to complete the assembly step illustrated on that page. Here is a sample.



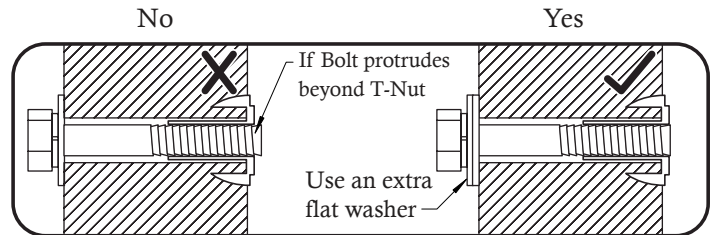
### Symbols

Throughout these instructions symbols are provided as important reminders for proper and safe assembly.

<p>This identifies information that requires special attention. Improper assembly could lead to an unsafe or dangerous condition.</p>	<p>Check that set or assembly is properly level before proceeding.</p> <p>Use Level</p>
<p>Use Help</p> <p>Where this is shown, 2 or 3 people are required to safely complete the step. To avoid injury or damage to the assembly make sure to get help!</p>	<p>Pre-drill 1/8" &amp; 3/16" Bit</p> <p>Pre-drill a pilot hole before fastening screw or lag to prevent splitting of wood.</p>
<p>Measure Distance</p> <p>Check that assembly is square before tightening bolts.</p> <p>Square Assembly</p>	<p>Tighten Bolts</p> <p>This indicates time to tighten bolts, but not too tight! Do not crush the wood. This may create splinters and cause structural damage.</p>

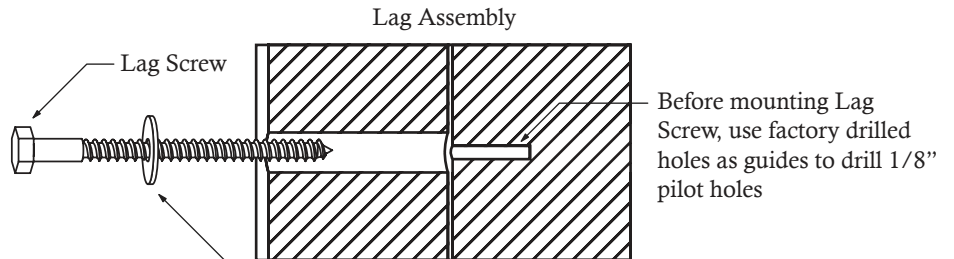
## CAUTION – Protrusion Hazard

Once the assembly is tightened, watch for exposed threads. If a thread protrudes from the T-Nut, remove the bolt and add washers to eliminate this condition. Extra washers have been provided for this purpose.

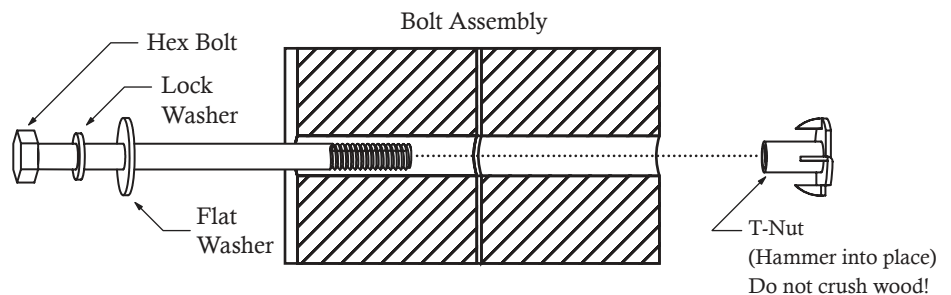


### Proper Hardware Assembly

Lag screws require drilling pilot holes to avoid splitting wood. Only a flat washer is required. For ease of installation liquid soap can be used on all lag-type screws.





For bolts, tap T-Nut into hole with hammer. Insert the hex bolt through lock washer first then flat washer then hole. Because the assemblies need to be squared do not completely tighten until instructed. Pay close attention to diameter of the bolts. 5/16" is slightly larger than 1/4".

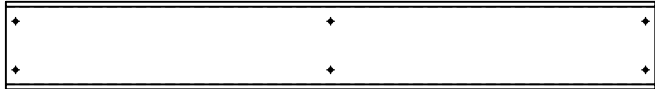



Note: Wafer head bolts with blue lock tight or a bolt with a Ny-Lok nut do NOT require a lock washer.


# Part Identification (Reduced Part Size) - BOX 1


2x - **9814** - 38.1 x 38.1 x 1141 mm - 3839814  
 1-1/2 x 1-1/2 x 44-15/16"


1x - **9815** - 38.1 x 76.2 x 1143 mm - 3839815  
 1-1/2 x 3 x 45"


9x - **9816** - 15.9 x 114.3 x 848.8 mm - 3589816  
 5/8 x 4-1/2 x 33-7/16"


1x - **9817** - 15.9 x 88.9 x 848.8 mm - 3589817  
 5/8 x 3-1/2 x 33-7/16"

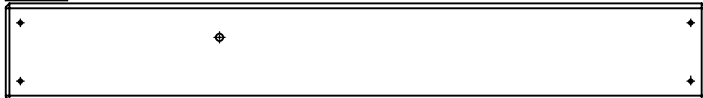
4x - **9819** - 15.9 x 76.2 x 878.9 mm - 3839819  
 5/8 x 3 x 34-5/8"


1x - **9820** - 15.9 x 76.2 x 878.9 mm - 3839820  
 5/8 x 3 x 34-5/8"

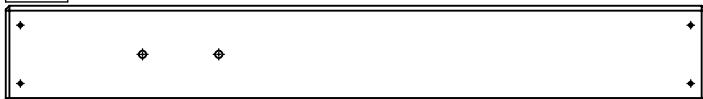
1x - **9821** - 15.9 x 76.2 x 914.4 mm - 3589821  
 5/8 x 3 x 36"

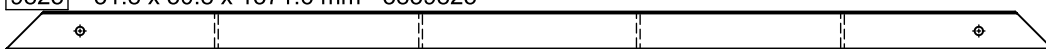
2x - **9822** - 38.1 x 63.5 x 1244.6 mm - 3589822  
 1-1/2 x 2-1/2 x 49"

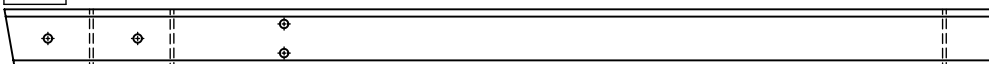
1x - **9823** - 15.9 x 133.4 x 914.4 mm - 3589823  
 5/8 x 5-1/4" x 36"

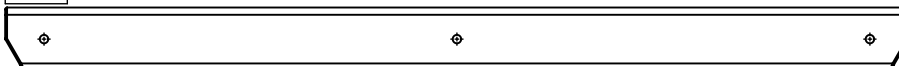
2x - **9824** - 15.9 x 133.4 x 914.4 mm - 3589824  
 5/8 x 5-1/4" x 36"

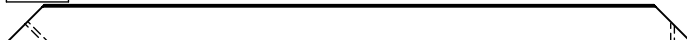
2x - **9833** - 15.9 x 133.4 x 914.4 mm - 3589833  
 5/8 x 5-1/4" x 36"

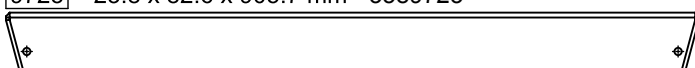
2x - **9834** - 15.9 x 133.4 x 914.4 mm - 3589834  
 5/8 x 5-1/4" x 36"

2x - **9825** - 31.8 x 50.8 x 1371.6 mm - 3839825  
 1-1/4 x 2 x 54"

1x - **2615** - 76.2 x 76.2 x 1294.3 mm - 3832615  
 3 x 3 x 50-15/16"

1x - **2616** - 23.8 x 82.6 x 1181.1 mm - 3832616  
 15/16 x 3-1/4 x 46-1/2"

4x - **9826** - 31.8 x 50.8 x 898.1 mm - 3839826  
 1-1/4 x 2 x 35-3/8"

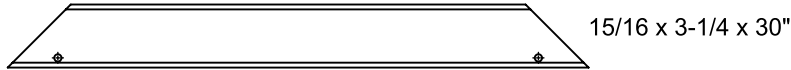
1x - **9723** - 23.8 x 82.6 x 905.7 mm - 3589723  
 15/16 x 3-1/4 x 35-5/8"

# Part Identification (Reduced Part Size) - BOX 1

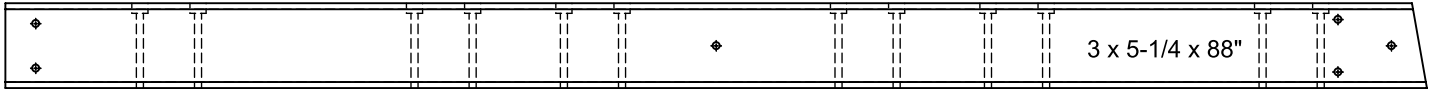
1x - [9885] - 15.9 x 63.5 x 849.8 mm - 3839885



1x - [9725] - 23.8 x 82.6 x 761.2 mm - 3589725



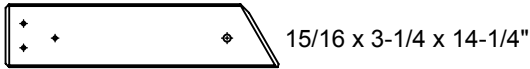
1x - [2614] - 76.2 x 133.4 x 2235.2 mm - 3832614



2x - [2613] - 50.8 x 76.2 x 2201.9 mm - 3832613



2x - [2606] - 23.8 x 82.6 x 362.0 mm - 3832606

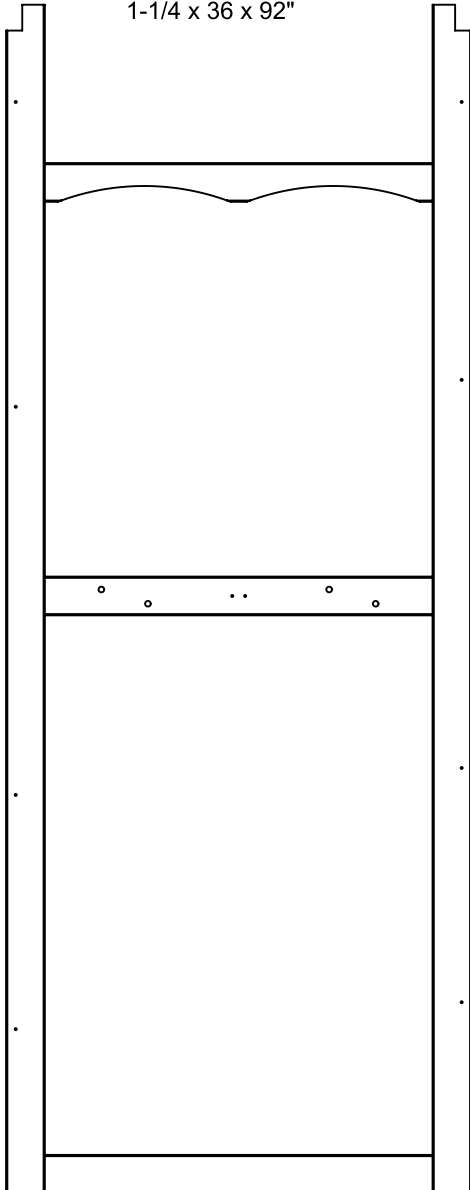


2x - [2607] - 31.8 x 76.2 x 558.8 mm - 3832607



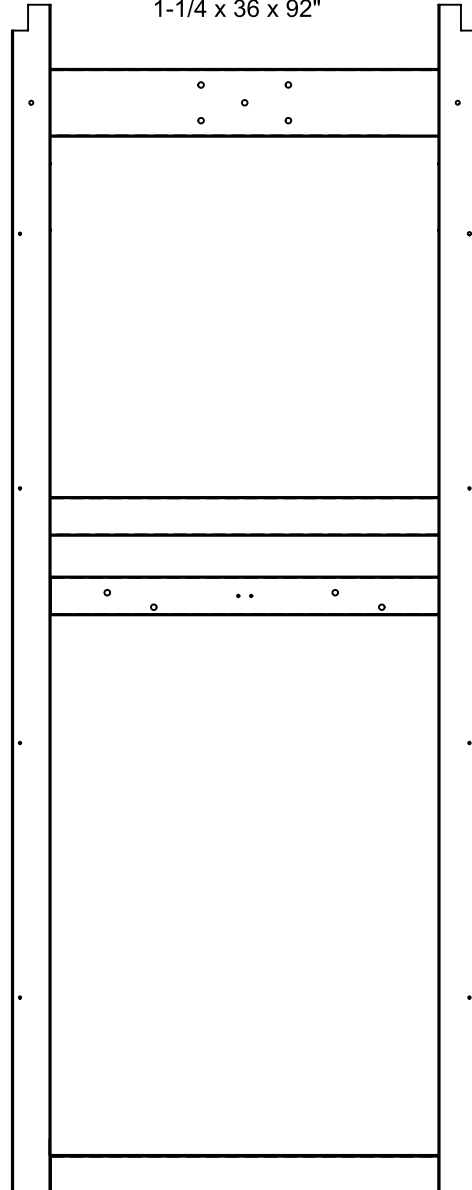
1x - [9306] - 31.8 x 914.4 x 2336.8mm - 37839306

1-1/4 x 36 x 92"



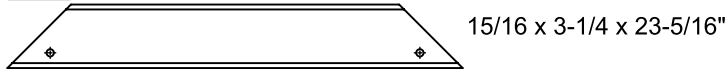
1x - [9307] - 31.8 x 914.4 x 2336.8mm - 37839307

1-1/4 x 36 x 92"



# Part Identification (Reduced Part Size) - BOX 2

1x - [9726] - 23.8 x 82.6 x 592.3 mm - 3589726



2x - [9727] - 23.8 x 82.6 x 584.8 mm - 3589727



2x - [9728] - 23.8 x 82.6 x 500.2 mm - 3589728



2x - [9729] - 23.8 x 101.6 x 584.8 mm - 3589729



1x - [9730] - 23.8 x 101.6 x 584.8 mm - 3589730



7x - [9818] - 15.9 x 76.2 x 396.2 mm - 3839818



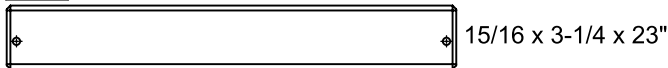
8x - [9812] - 31.8 x 76.2 x 387.4 mm - 3839812



3x - [9813] - 31.8 x 38.1 x 990.6 mm - 3839813

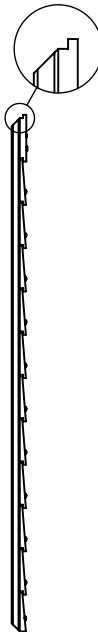
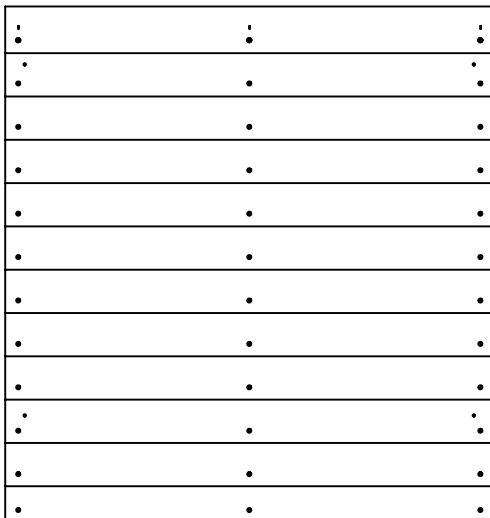


2x - [9724] - 23.8 x 82.6 x 584.8 mm - 3589724



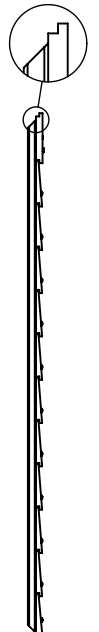
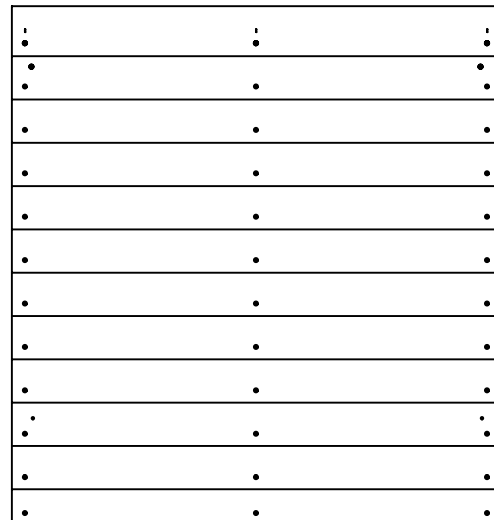
1-1/8 x 37-1/2 x 39-11/16"

1x - [9313] - 28.6 x 952.5 x 1008mm - 37589313



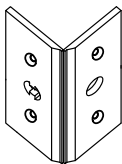
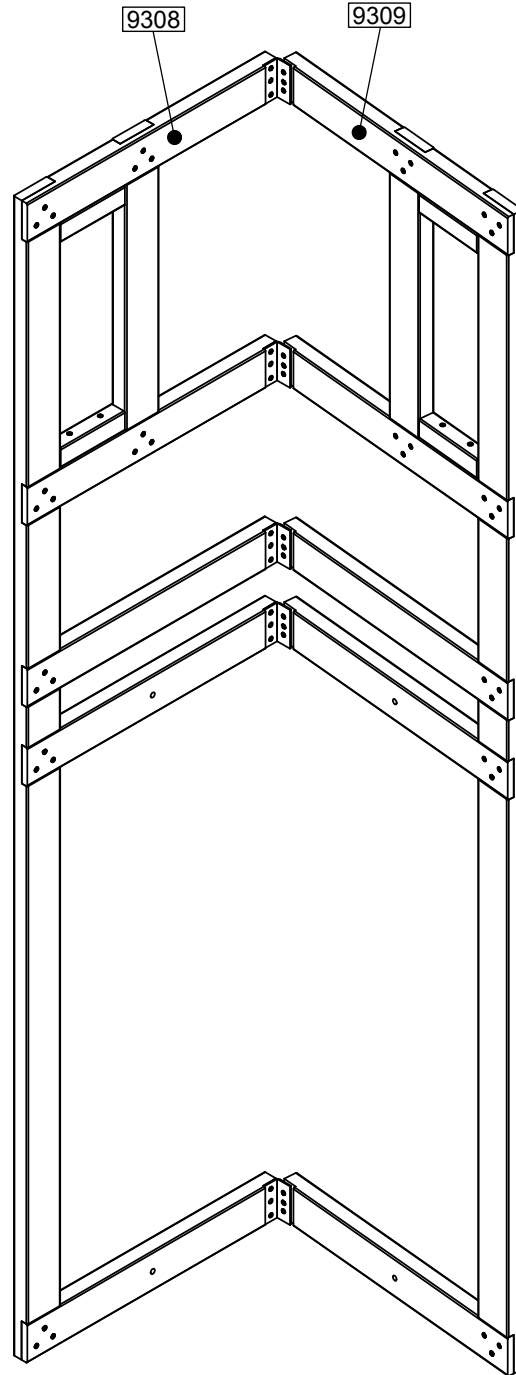
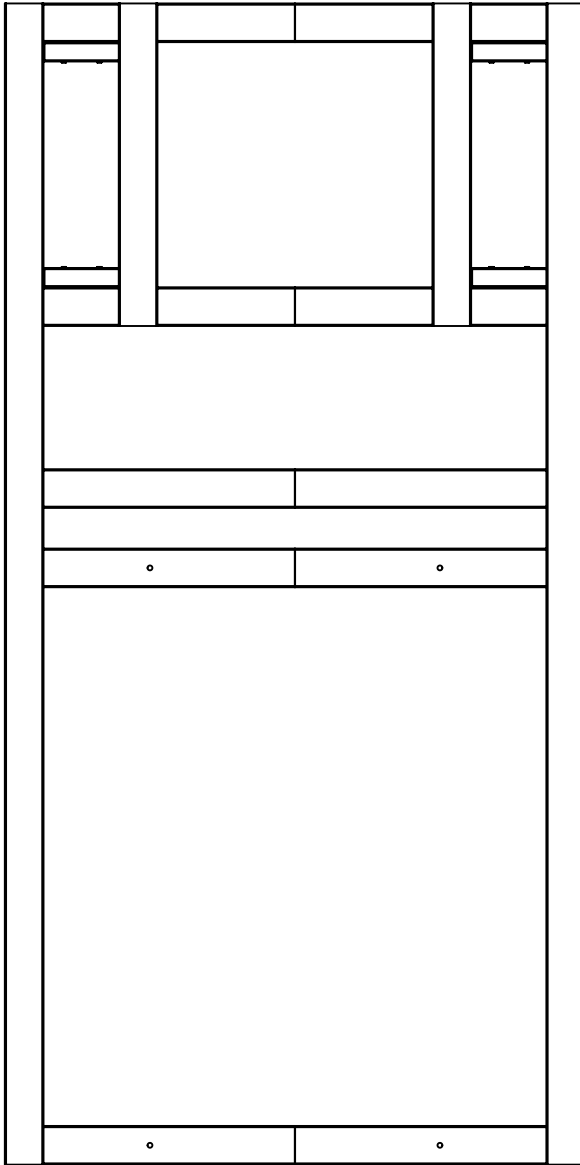
1-1/8 x 37-1/2 x 39-15/16"

1x - [9312] - 28.6 x 952.5 x 1014.4mm - 37589312



# Part Identification (Reduced Part Size) - BOX 2

1-1/4 x 45 x 90"  
 1x - **9314** - 31.8 x 1143 x 2286mm - 37839314



**9327884**



**(S0) - 52933505**

**If you need to order parts, please order below part #**

**9308** - 37839308 - Window Panel Left - 1pc

**9309** - 37839309 - Window Panel Right - 1pc

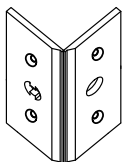
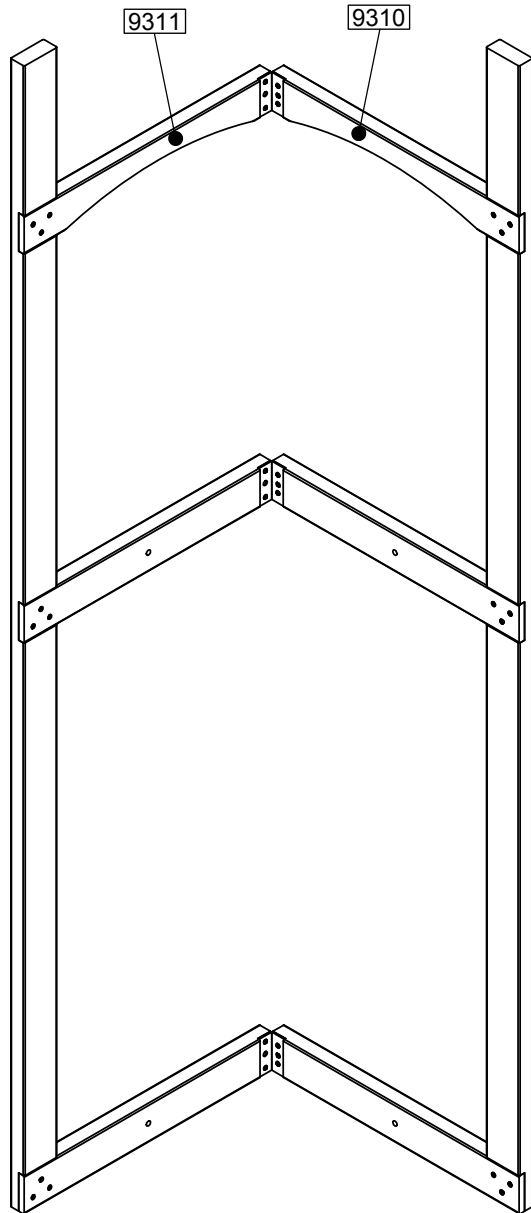
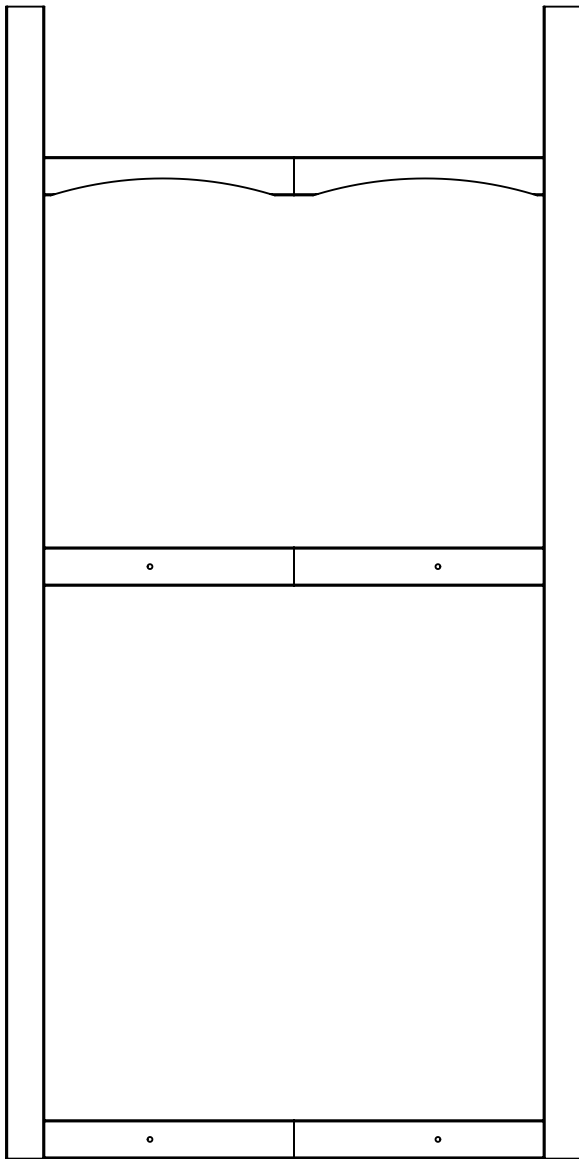
**9327884** - Hinge - 1pc

**(S0) - 52933505** - Truss Screw #8 x 7/8" - 1pc

# Part Identification (Reduced Part Size) - BOX 2

1-1/4 x 45 x 90"

1x - **9315** - 31.8 x 1143 x 2286mm - 37839315



**9327884**



**(S0) - 52933505**

**If you need to order parts, please order below part #**

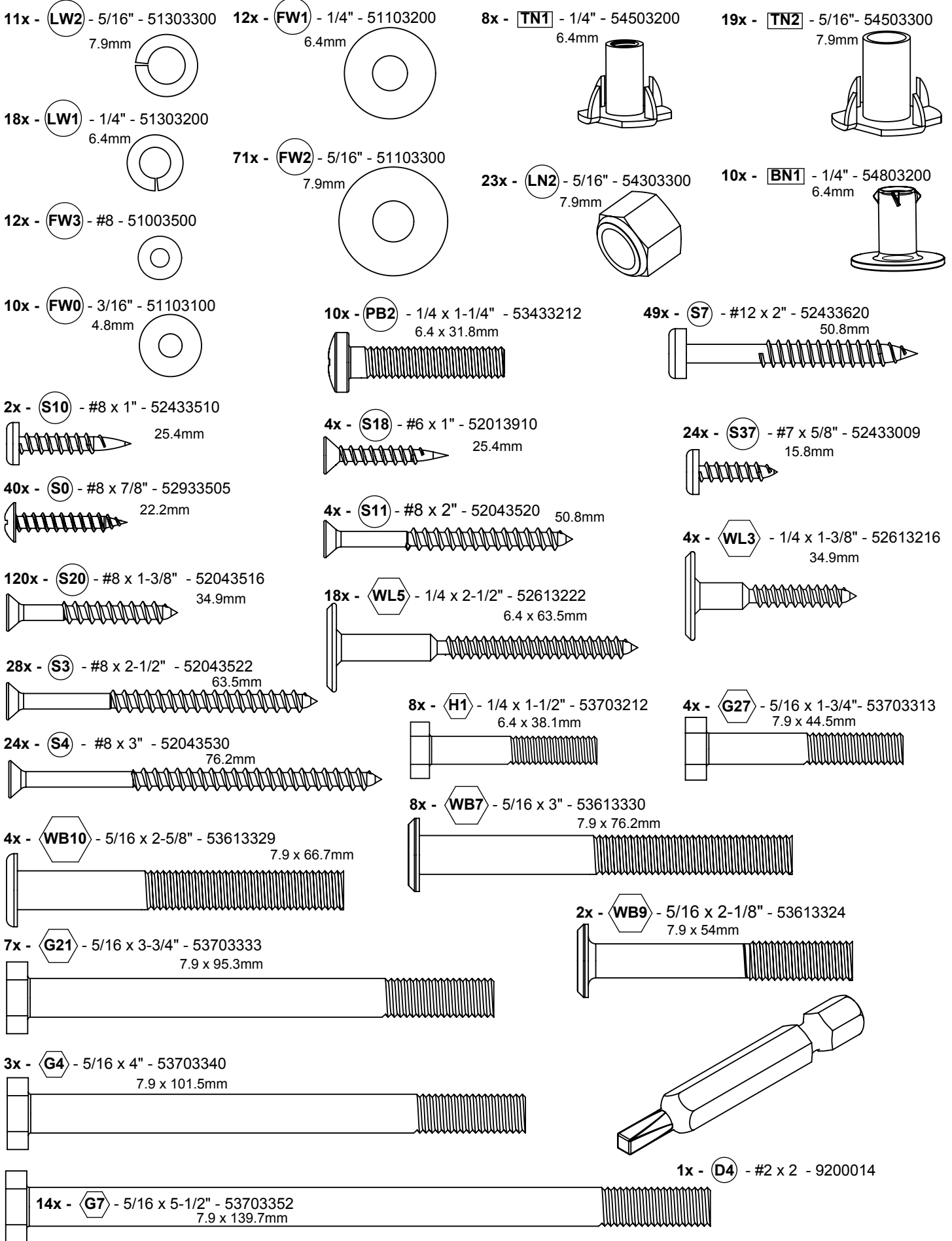
**9310** - 37839310 - Panel - 1pc

**9311** - 37839311 - Ride Maze Panel Right -1pc

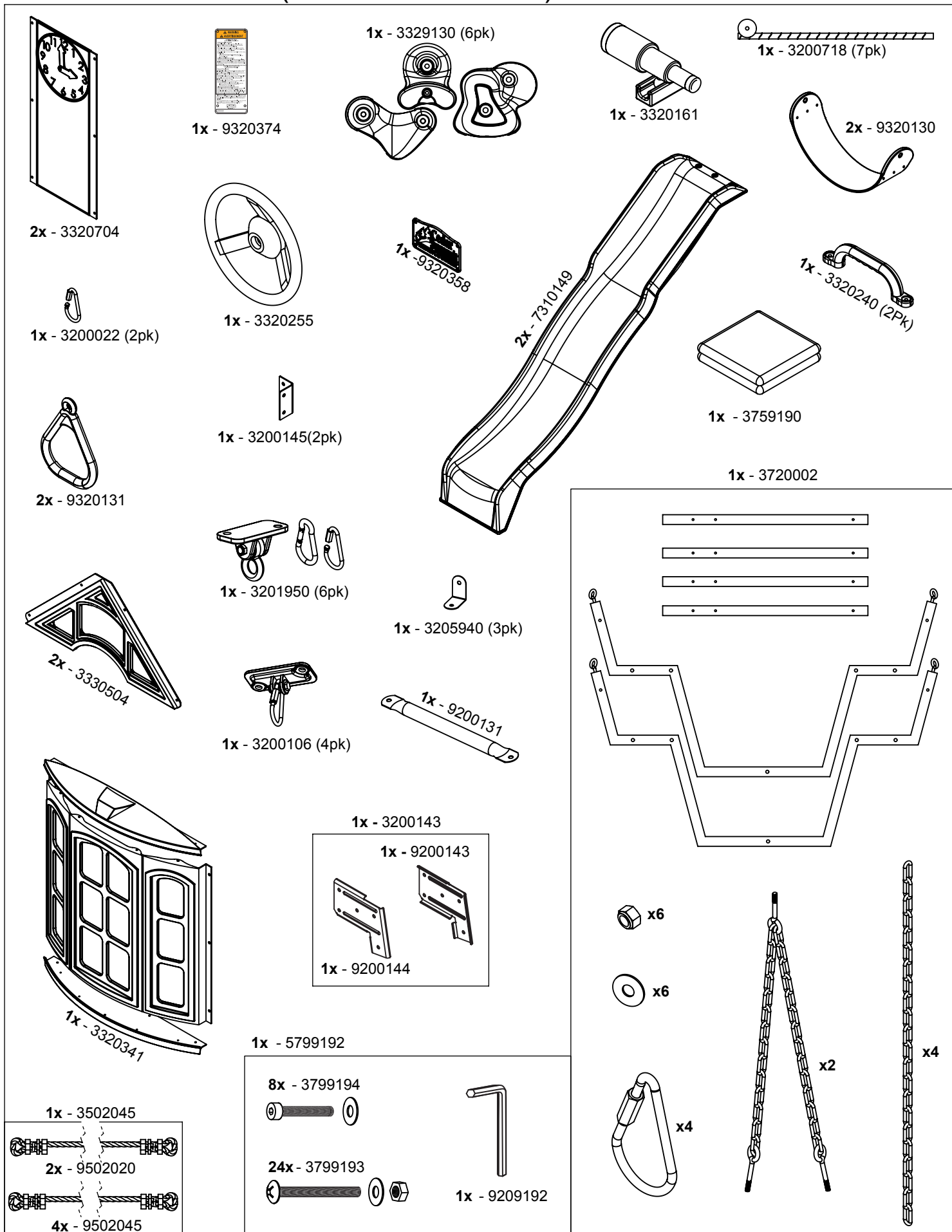
**9327884** - Hinge - 1pc

**(S0) - 52933505** - Truss Screw #8 x 7/8" - 1pc

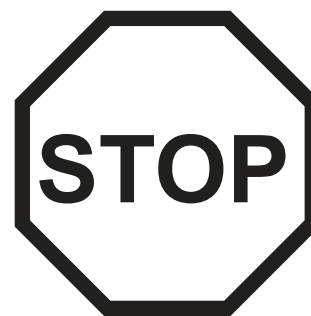
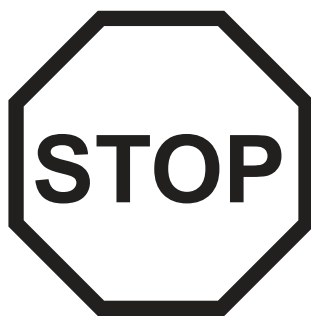
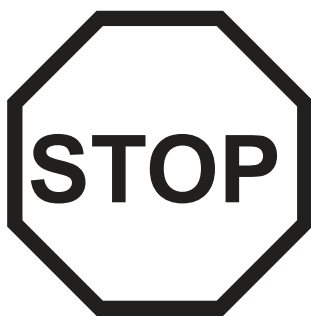
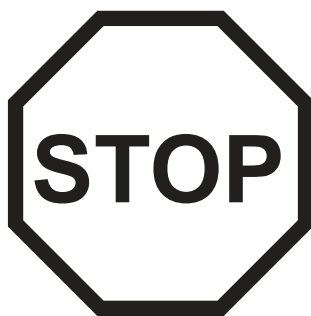
# Hardware Identification (Actual Size)



# Part Identification (Reduced Part Size)

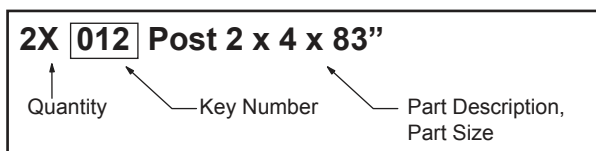


# Step 1: Inventory Parts - Read This Before Starting Assembly



**A.** This is the time for you to inventory all your hardware, wood and accessories, referencing the parts identification sheets. This will assist you with your assembly.

- The wood pieces will have the key number stamped on the ends of the boards. Organize the wood pieces by step, as per the key numbering system below.



- Please refer to Page 6 for proper hardware assembly.
- Each step indicates which bolts and/or screws you will need for assembly, as well as any flat washers, lock washers, t-nuts or lock nuts.

**B.** If there are any missing or damaged pieces or you need assistance with assembly please contact the consumer relations department directly. Call us before going back to the store.

customerservice@kidkraft.com  
 Online Parts Replacement: parts.kidkraft.com  
 To warranty your product: kidkraft.com/warranty/  
 Customer Service:  
 1(800) 933-0771 or (972) 385-0100

Europe Customer Service: +31 (0)20 305 8620  
 europecustomerservice@kidkraft.com  
 EU Online Parts Replacement: parts.kidkraft.eu

**C.** Read the assembly manual completely, paying special attention to EN71 and ASTM warnings; notes; and safety/maintenance information on pages 1 - 6.

**D.** Before you discard your cartons fill out the form below.

- The carton I.D. stamp is located on the end of each carton. The tracking number is located on the KidKraft ID Plaque (9320374).
- Please retain this information for future reference. You will need this information if you contact the Consumer Relations Department.

**MODEL NUMBER: F29130**

CARTON I.D. STAMP: \_ \_ \_ \_ \_ (Box 1)

CARTON I.D. STAMP: \_ \_ \_ \_ \_ (Box 4)

CARTON I.D. STAMP: \_ \_ \_ \_ \_ (Box 2)

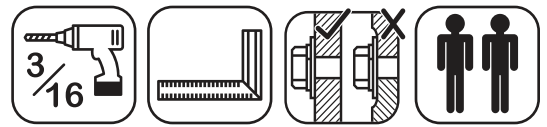
CARTON I.D. STAMP: \_ \_ \_ \_ \_ (Box 5)

CARTON I.D. STAMP: \_ \_ \_ \_ \_ (Box 3)

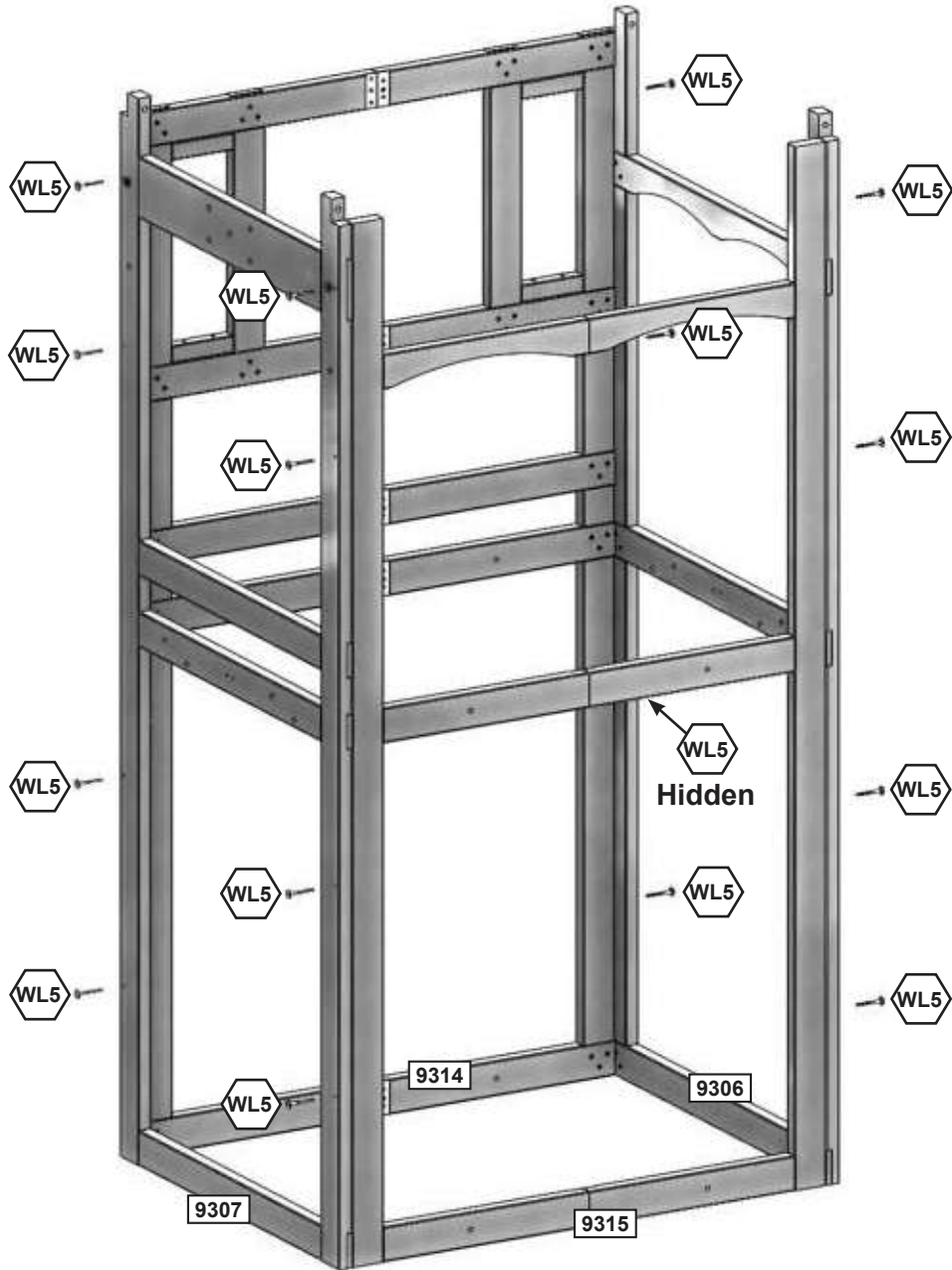
CARTON I.D. STAMP: \_ \_ \_ \_ \_ (Box 6)

TRACKING NUMBER (from ID Plaque): \_\_\_\_\_

# Step 2



Pre-drill each hole using a 3/16" drill bit for WL5.



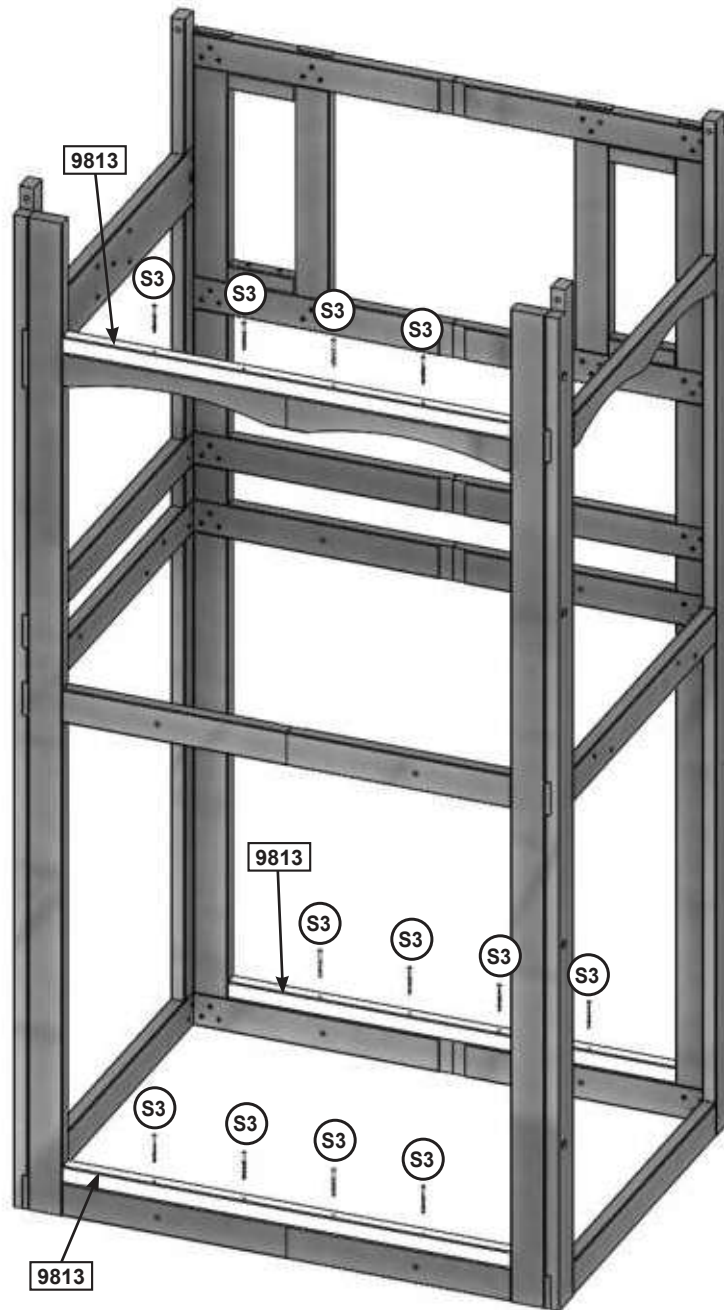
### Wood Parts

- 1 x 9314 31.8 x 1043 x 3386mm (1-1/4 x 45 x 90")
- 1 x 9307 31.8 x 914.4 x 2336.8 mm (1-1/4 x 36 x 92")
- 1 x 9315 31.8 x 1043 x 3386mm (1-1/4 x 45 x 90")

### Hardware

- 1 x 9306 31.8 x 914.4 x 2336.8 mm (1-1/4 x 36 x 92")
- 16 x WL5 6.4 x 63.5 mm (1/4 x 2-1/2")

# Step 3



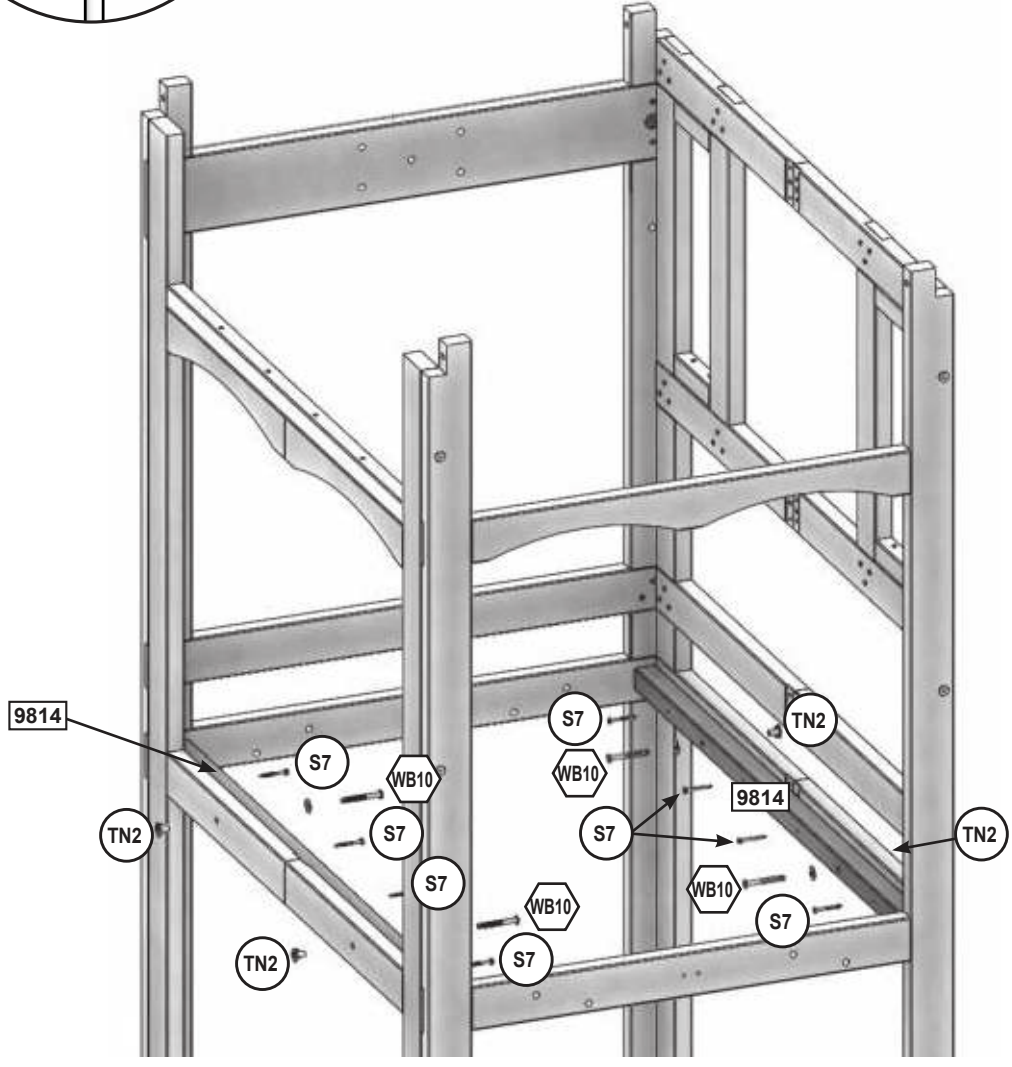
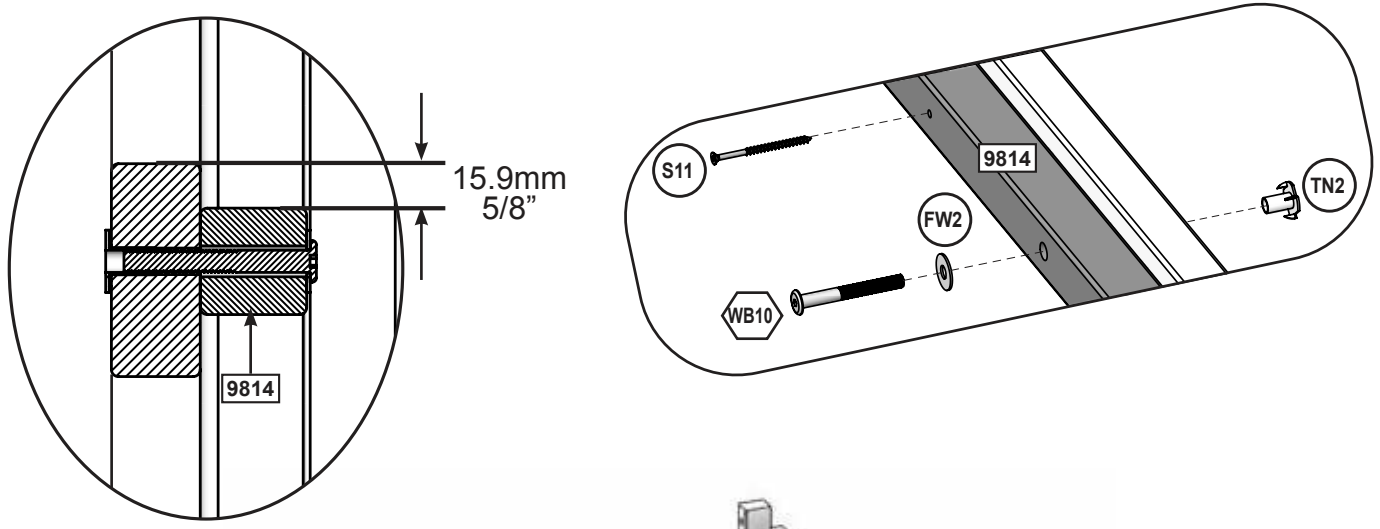
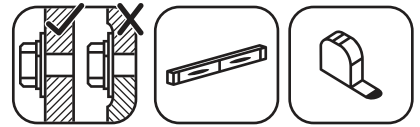
### Wood Parts

3 x **9813** 31.8 x 38.1 x 990.6 mm (1-1/4 x 1-1/2 x 39")

### Hardware

12 x **S3** #8 x 63.5 mm (#8 x 2-1/2")

# Step 4



**Wood Parts**

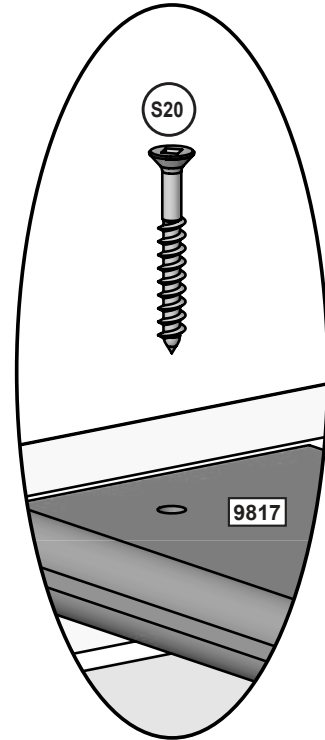
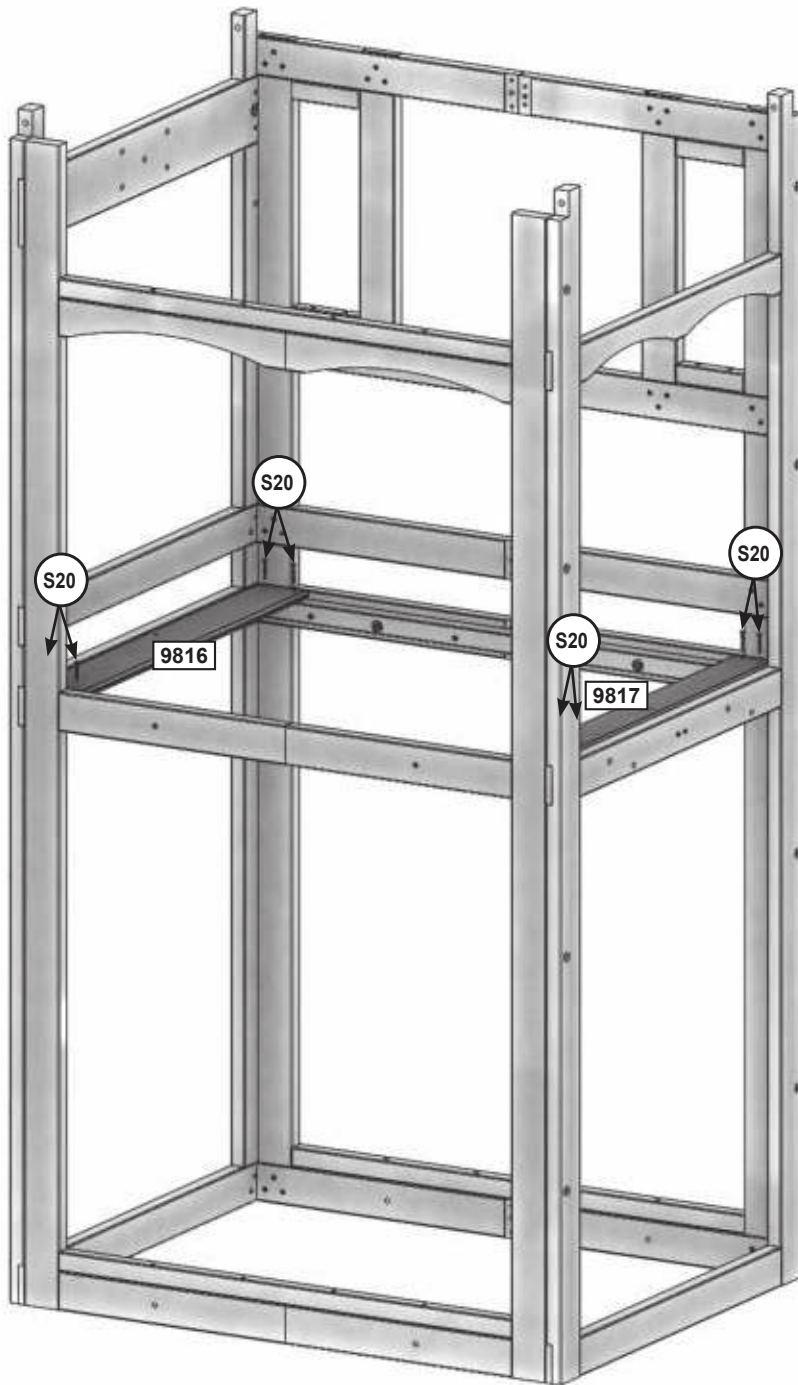
2 x 9814 38.1 x 38.1 x 1141 mm (1-1/2 x 1-1/2 x 44-15/16")

**Hardware Hardware**

4 x WB10 7.9mm x 66.6 mm (5/16 x 2-5/8")(FW2, TN2)

8 x S7 #12 x 50.8mm (#12 x 2")

# Step 5



## Wood Parts

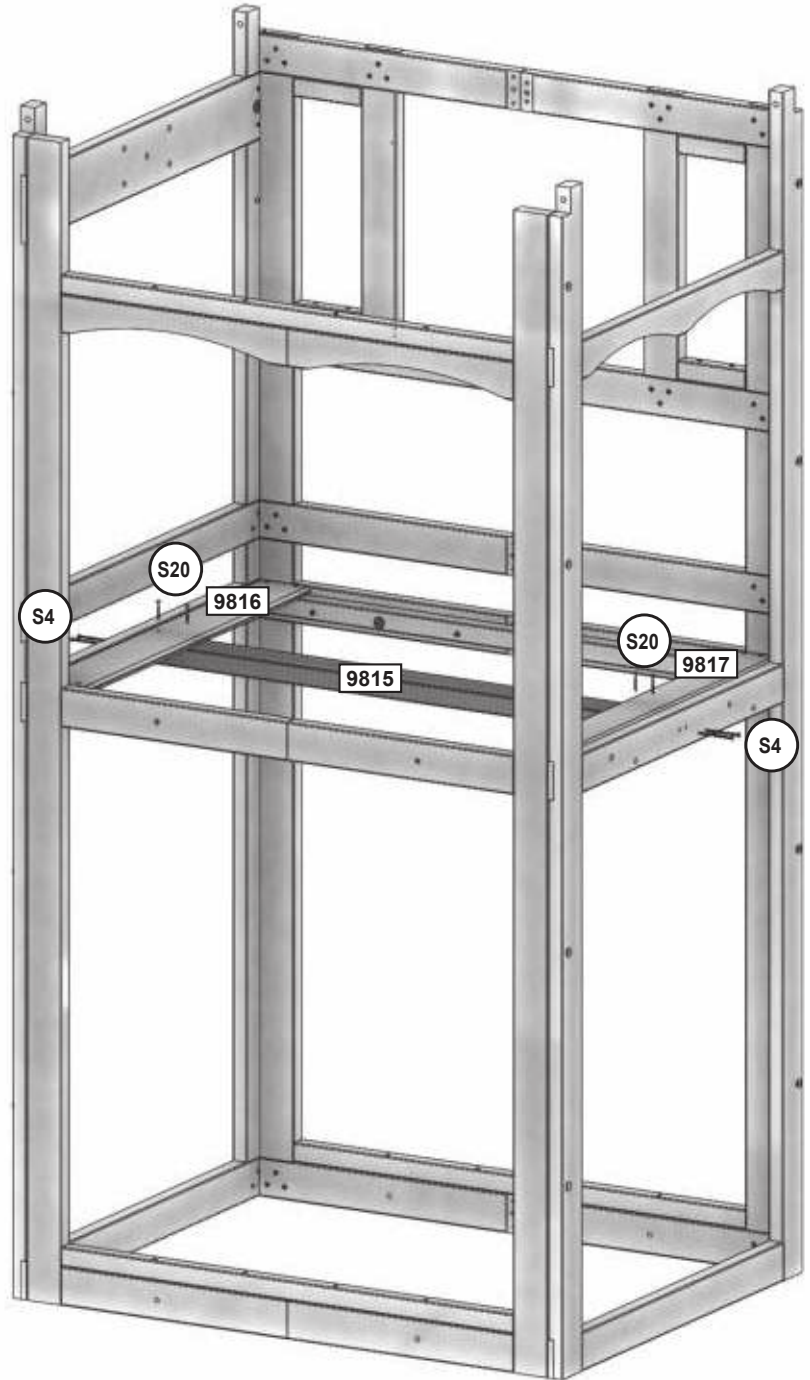
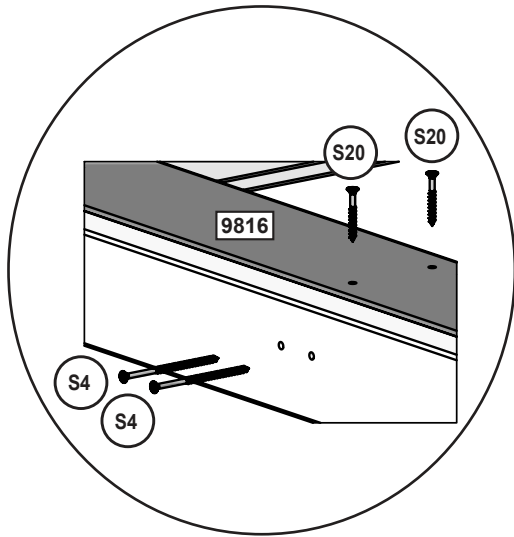
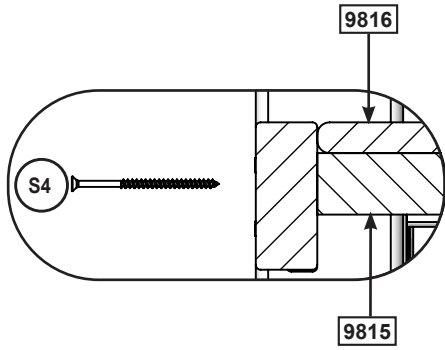
- 1 x 9816 15.9 x 114.3 x 848.8 mm (5/8 x 4-1/2 x 33-7/16")
- 1 x 9817 15.9 x 88.9 x 848.8 mm (5/8 x 3-1/2 x 33-7/16")

## Hardware

- 8 x S20 #8 x 35mm (#8 x 1-3/8")



# Step 6



### Wood Parts

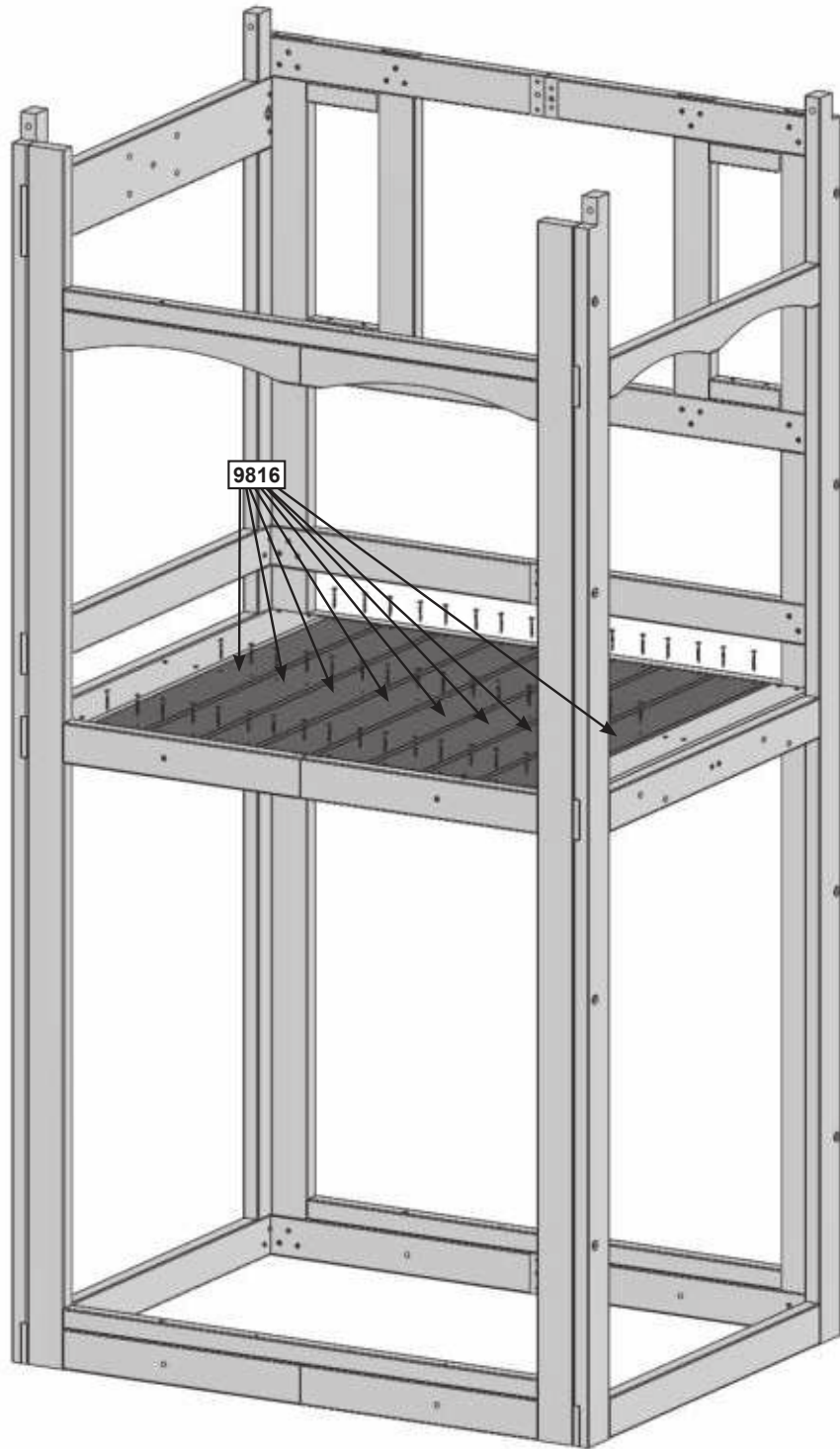
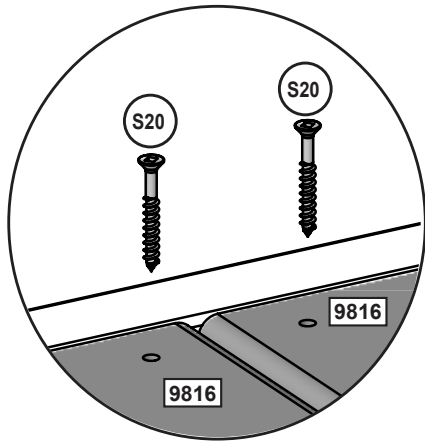
1 x 9815 38.1 x 76.2 x 1143 mm (1-1/2 X 3" X 45")

### Hardware

4 x S20 #8 x 35mm (#8 x 1-3/8")

4 x S4 #8 x 76.2mm (#8 x 3")

# Step 7



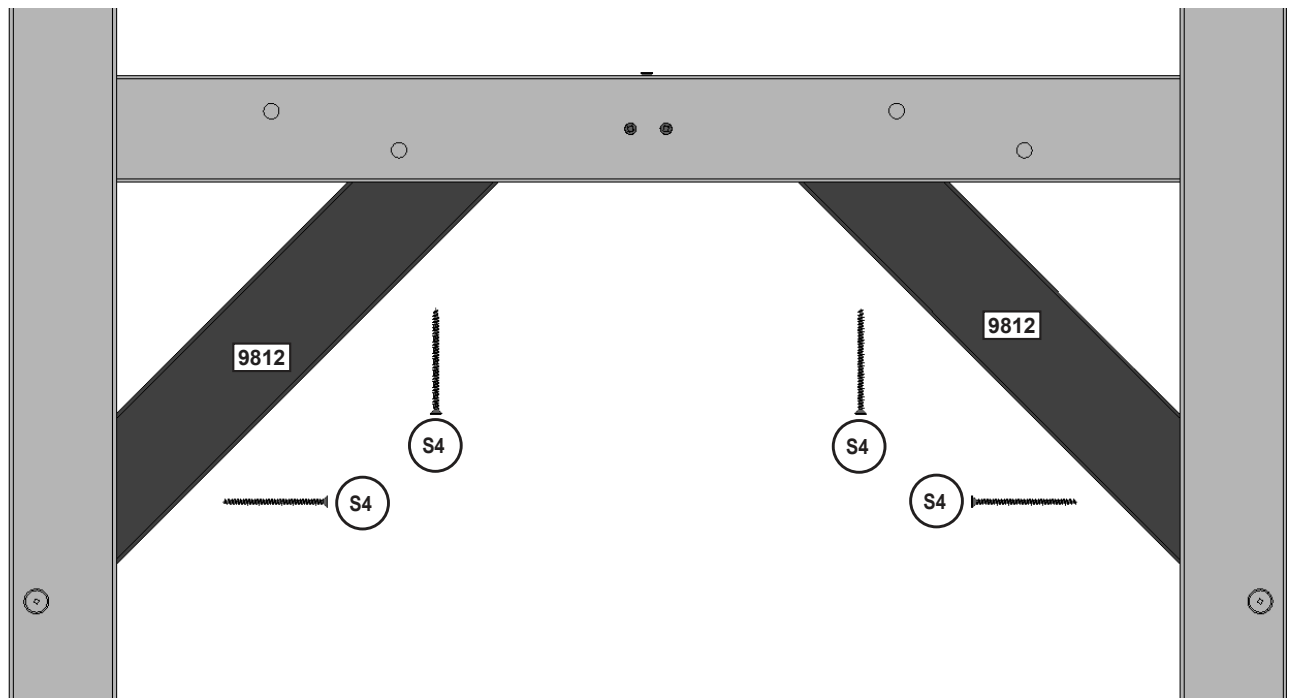
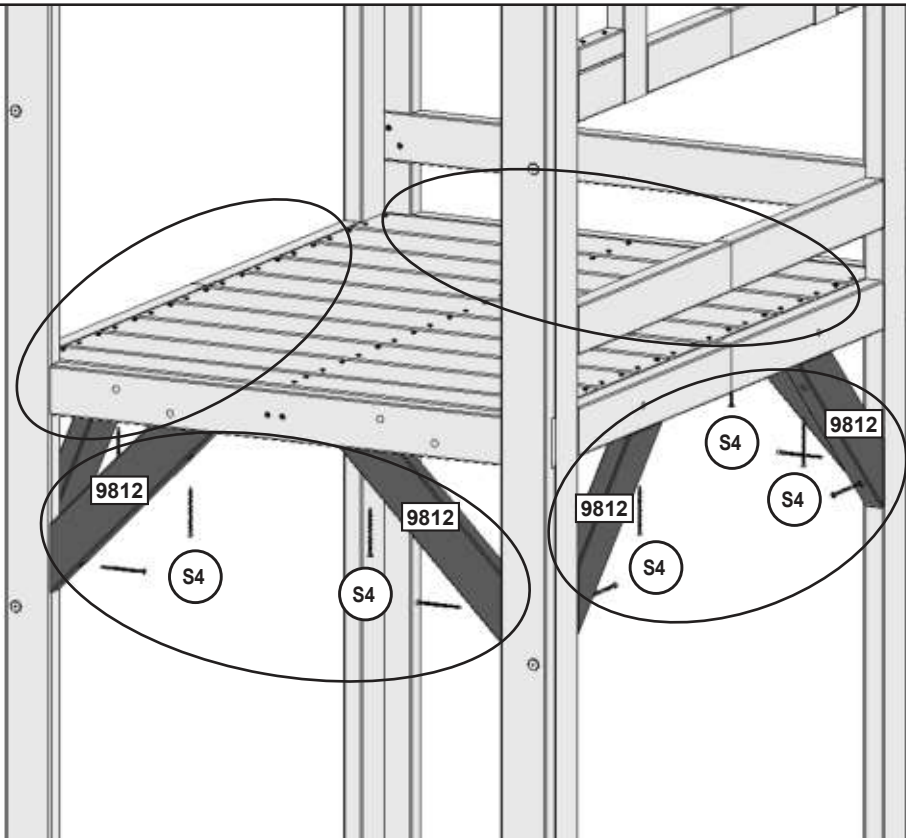
## Wood Parts

8 x **9816** 15.9 x 114.3 x 848.8 mm (5/8 X 4-1/2 X 33-7/16")

## Hardware

48 x **S20** #8 x 35mm (#8 x 1-3/8")

# Step 8



## Wood Parts

8 x 9812 31.8 x 76.2 x 387.4 mm (1-1/4 X 3 X 15-1/4")

## Hardware

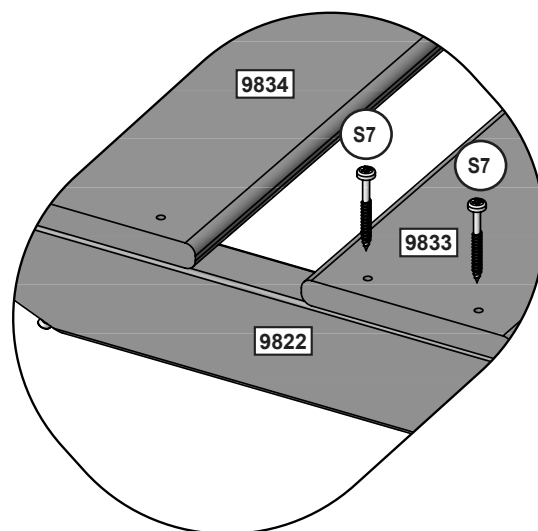
16 x S4 #8 x 76.2mm (#8 x 3")

# Step 9



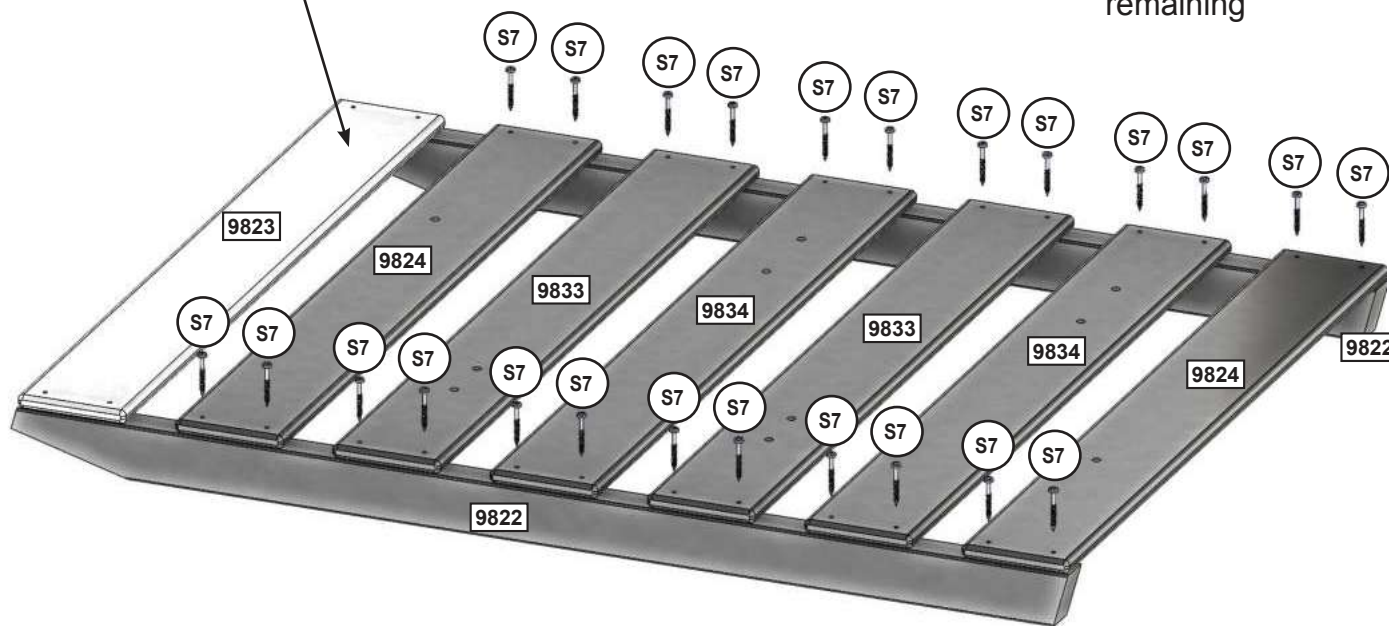
**IMPORTANT!**  
Follow hole pattern

Pre-drill holes using a 1/8" drill bit.



**Do not attach**  
Put aside until  
Step 13

Center first board  
and evenly space  
remaining



### Wood Parts

- 2 x 38.1 x 63.5 x 1244.6 mm (1-1/2 x 2-1/2 x 49")
- 1 x 15.9 x 133.4 x 914.4 mm (5/8 x 5-1/4 x 36")
- 2 x 15.9 x 133.4 x 914.4 mm (5/8 x 5-1/4 x 36")

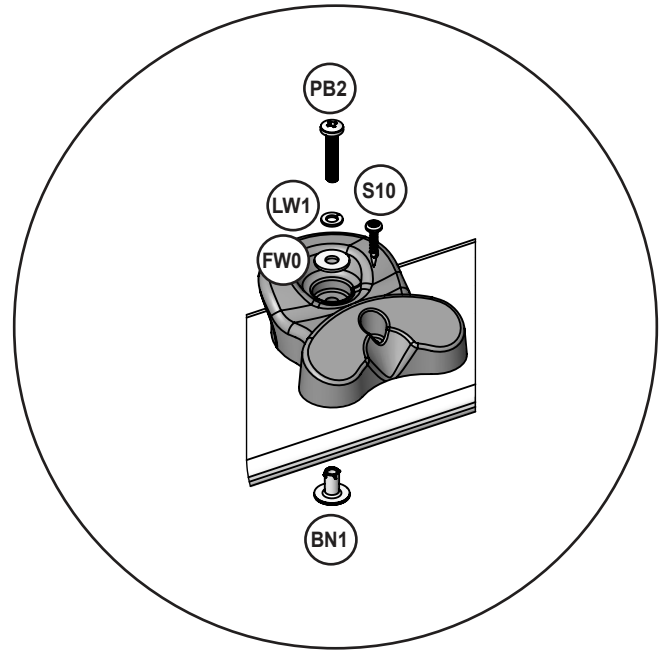
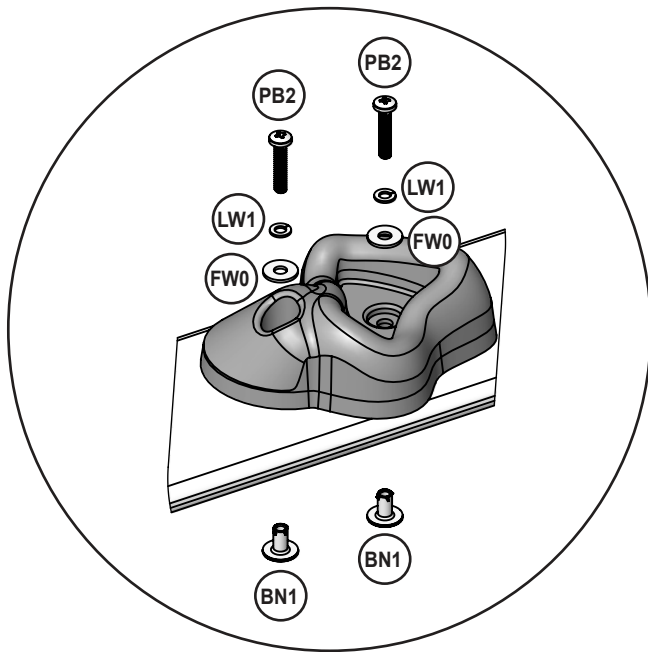
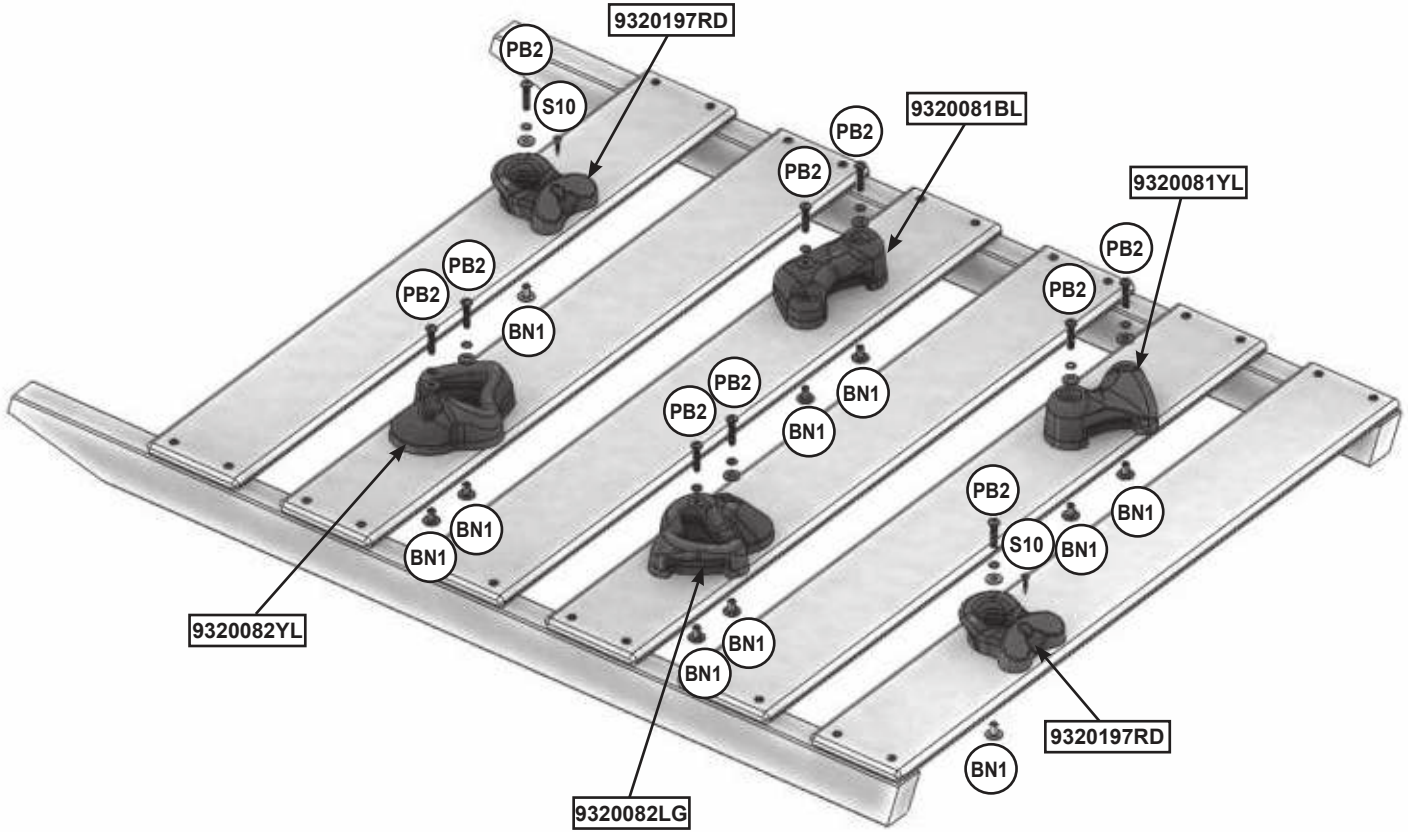
### Hardware

- 2 x 15.9 x 133.4 x 914.4 mm (5/8 x 5-1/4 x 36")
- 2 x 15.9 x 133.4 x 914.4 mm (5/8 x 5-1/4 x 36")

- 24 x #12 x 50.8mm (#12 x 2")

# Step 10

**Note: Make sure all hardware is used to properly secure each rock.**



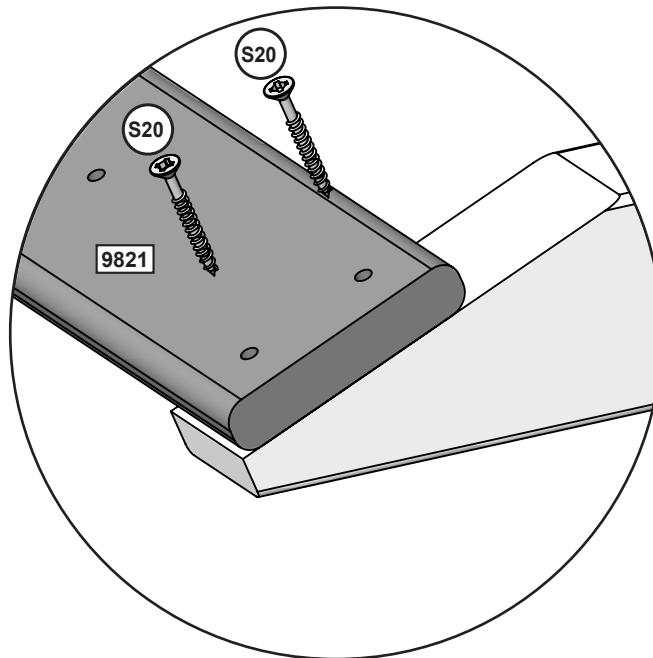
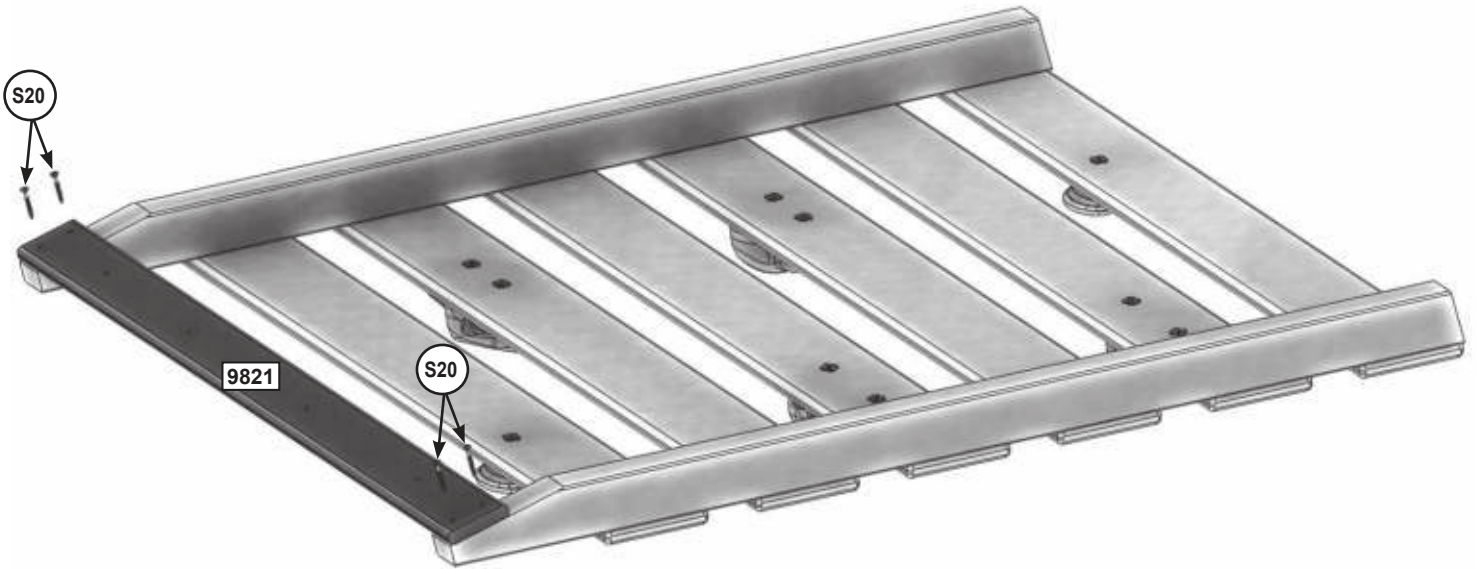
### Hardware

- 10 x **PB2** 7.9mm x 32 mm (5/16 x 1-1/4") (FW0, LW1, BN1)
- 2 x **S10** #8 x 25.4 mm (#8 x 1")

### Other Parts

- |                      |                      |
|----------------------|----------------------|
| 2 x <b>9320197RD</b> | 1 x <b>9320082YL</b> |
| 1 x <b>9320082LG</b> | 1 x <b>9320081YL</b> |
| 1 x <b>9320081BL</b> |                      |

# Step 11



## Wood Parts

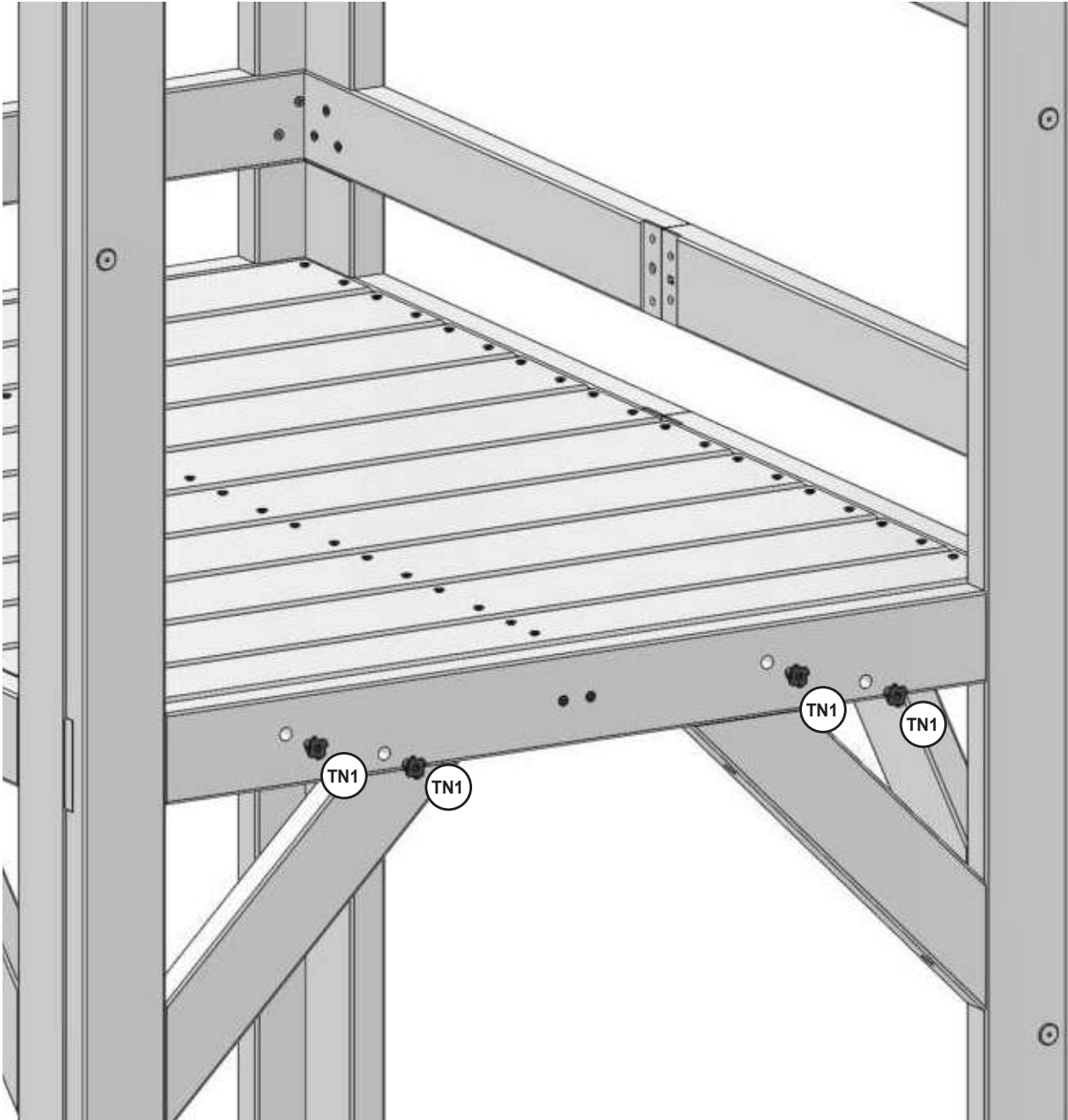
1 x **9821** 15.9 x 76.2 x 914.4 mm (5/8 x 3 x 36")

## Hardware

4 x **S20** #8 x 35mm (#8 x 1-3/8")

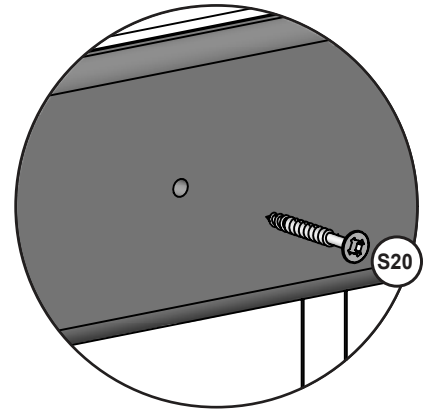
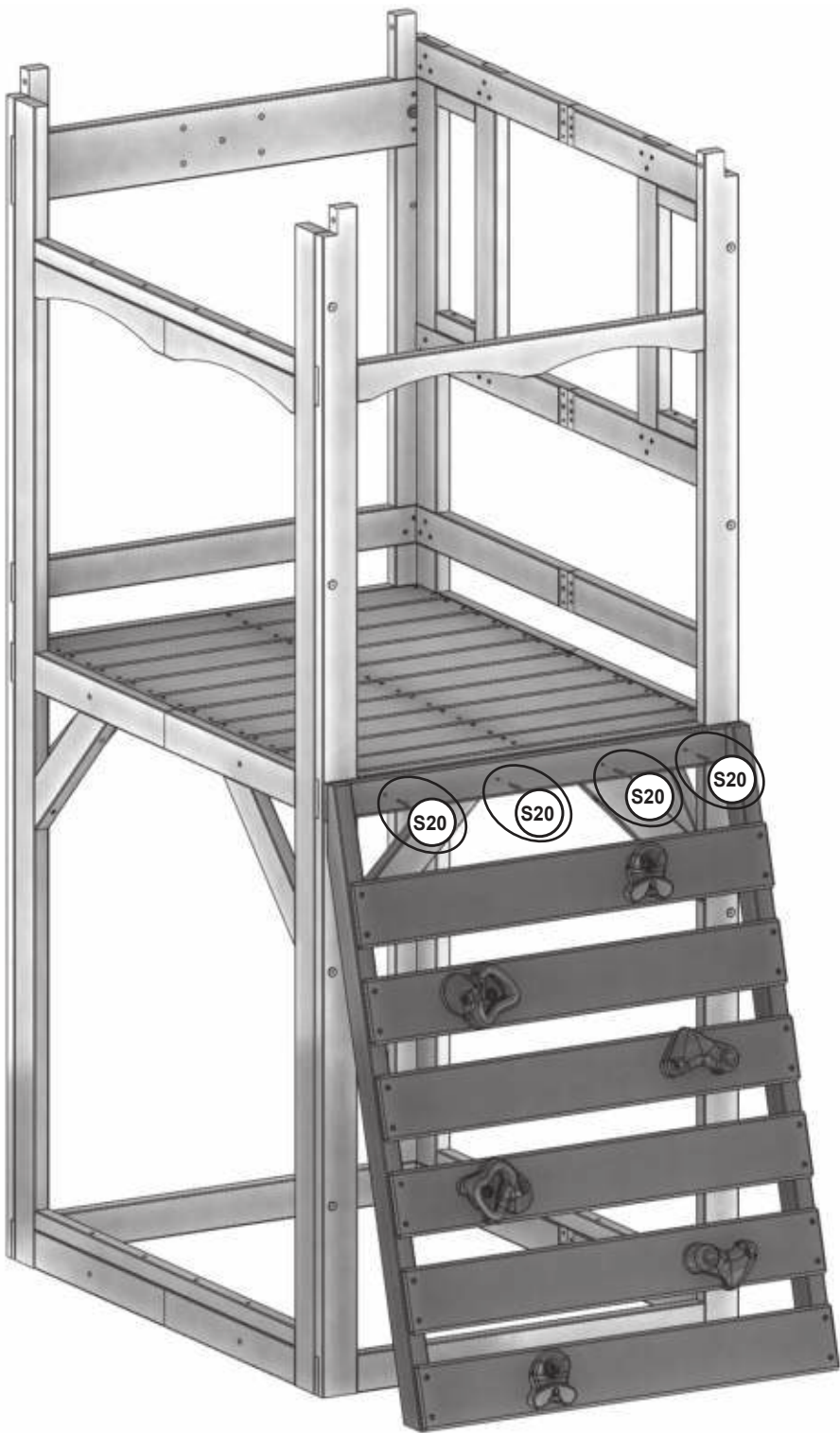
## Step 12

Install TN1  
(will be used in Step 46)




**Hardware**  
4 x TN1

# Step 13



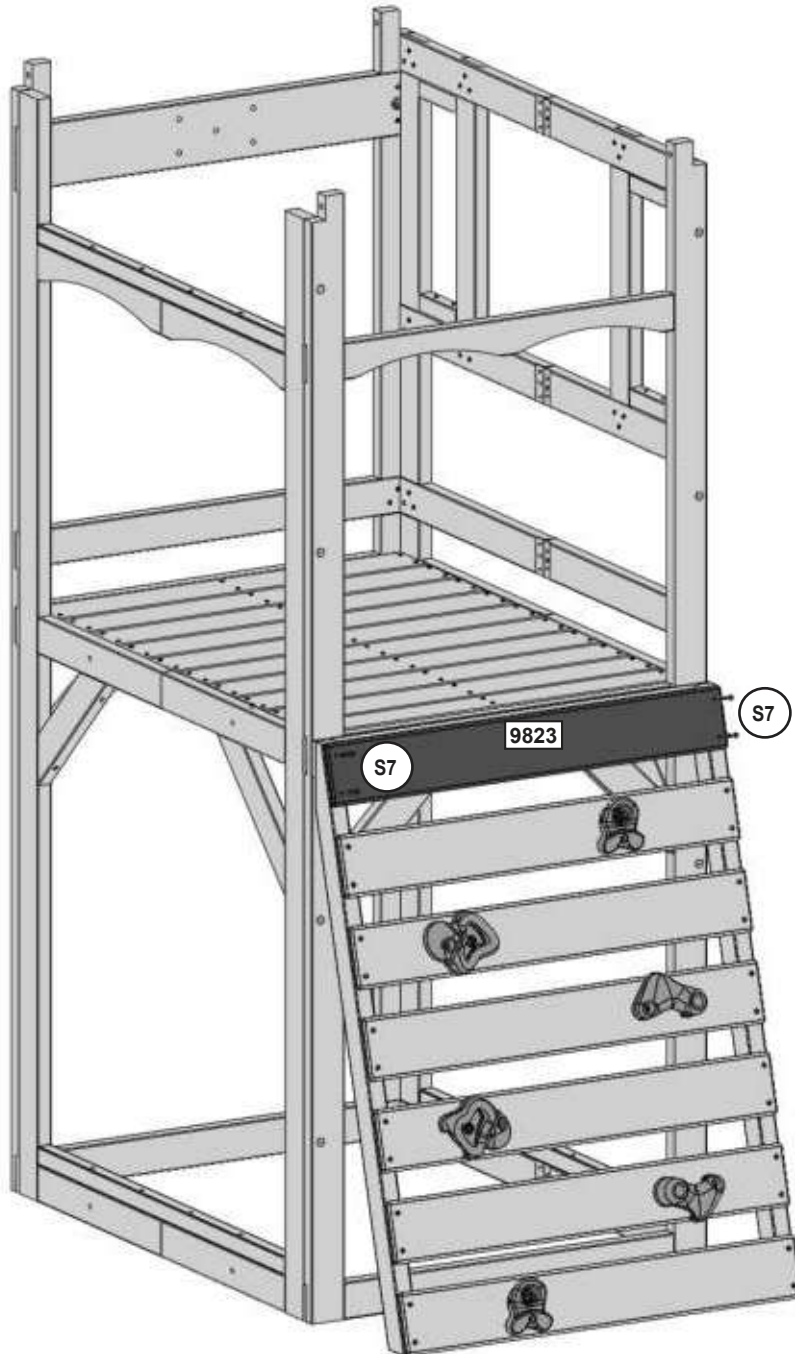
### Hardware

4 x  #8 x 35 mm (#8 x 1-3/8")

# Step 14



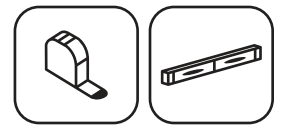
Pre-drill holes using a 1/8" drill bit.



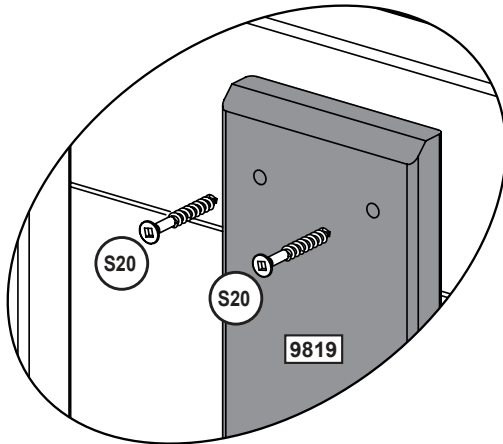
### Hardware

4 x  #12 x 50.8mm (#12 x 2")

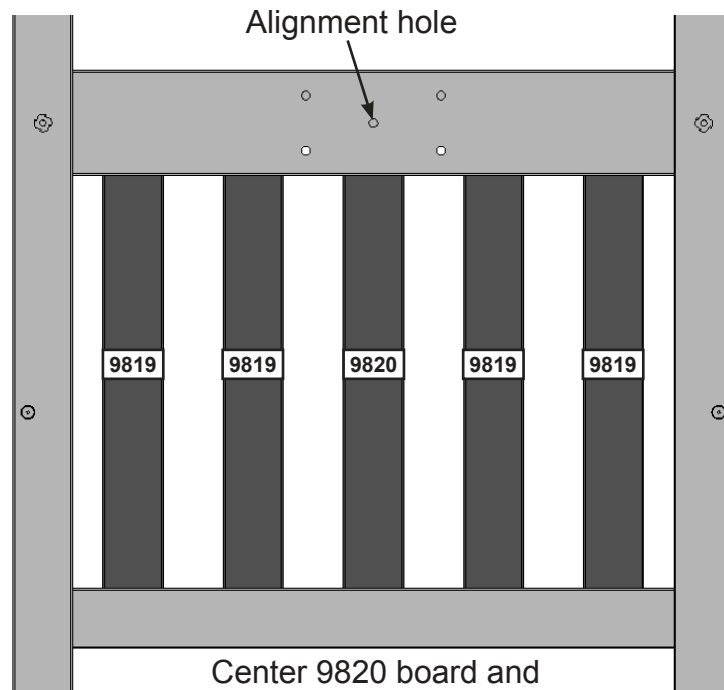
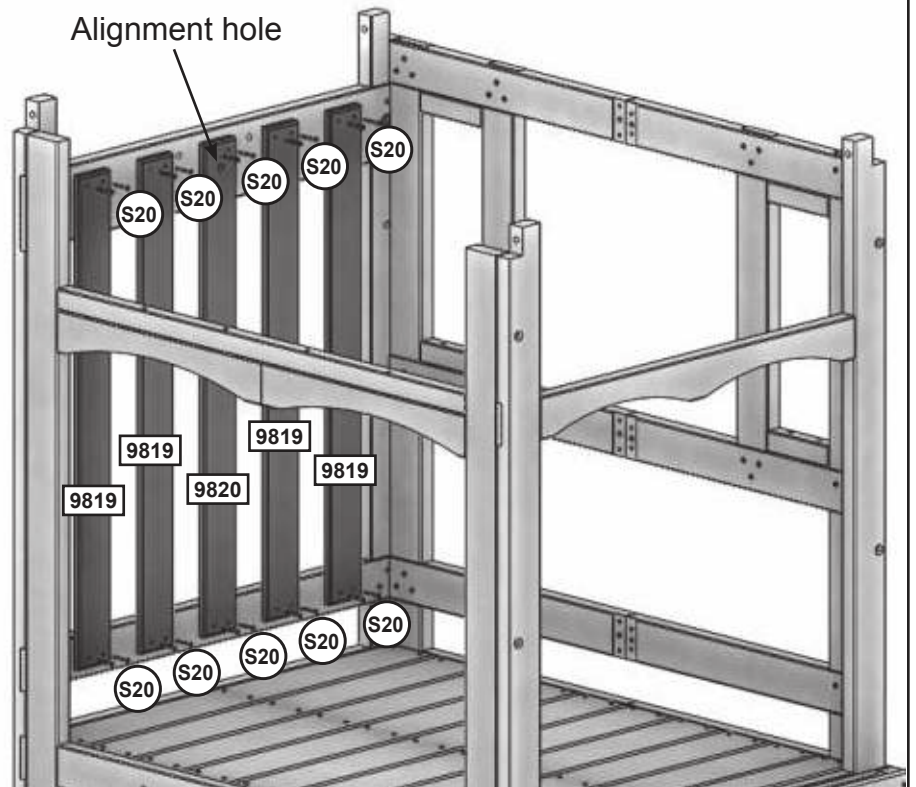
# Step 15



Center 9820 board and evenly space the rest



Beveled edge faces out



Center 9820 board and evenly space the rest

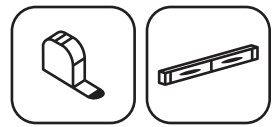
### Wood Parts

- 4 x 15.9 x 76.2 x 878.9 mm (5/8 x 3 x 34-5/8")
- 1 x 15.9 x 76.2 x 878.9 mm (5/8 x 3 x 34-5/8")

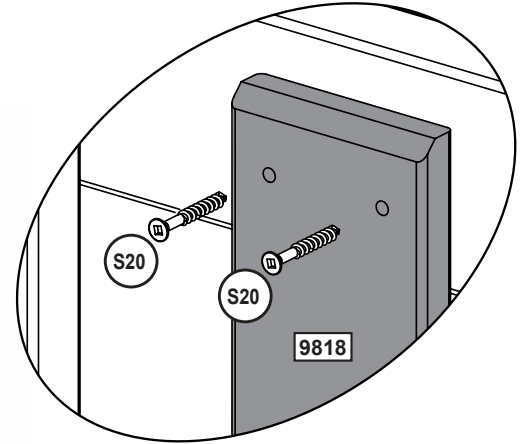
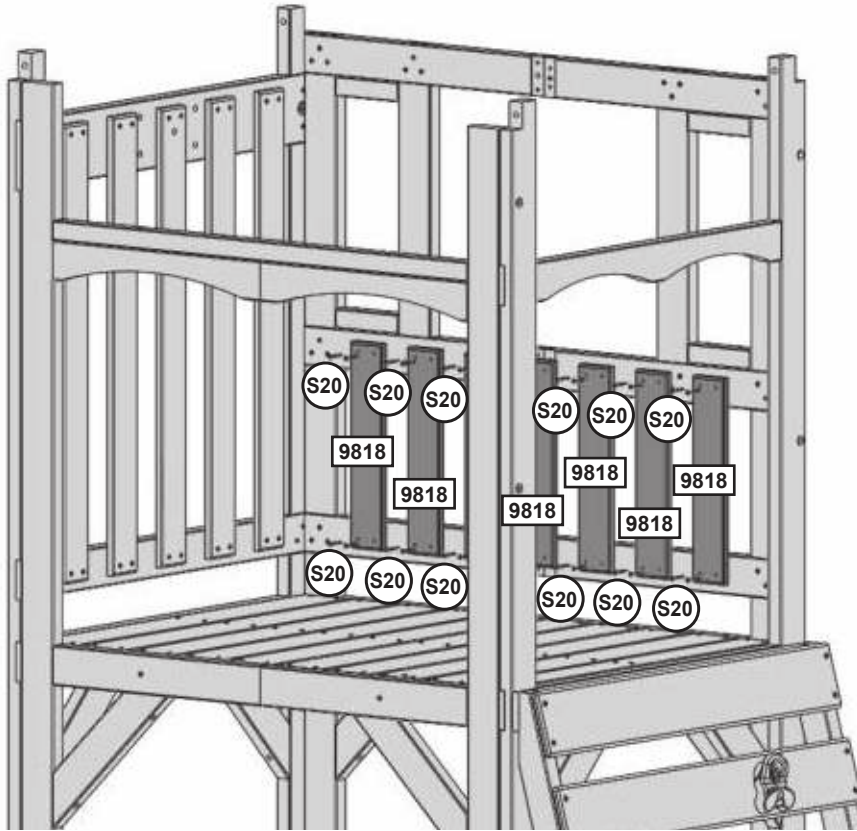
### Hardware

- 20 x #8 x 34.9 mm (#8 x 1-3/8")

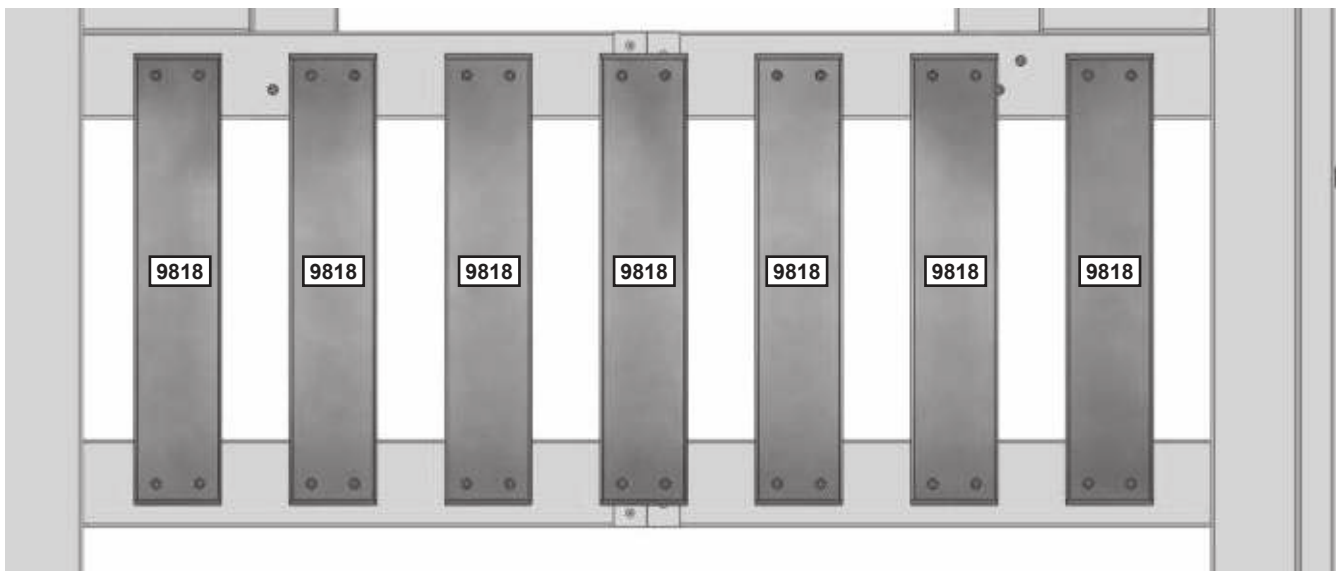
# Step 16



Center first board and evenly space the rest



Beveled edge faces out



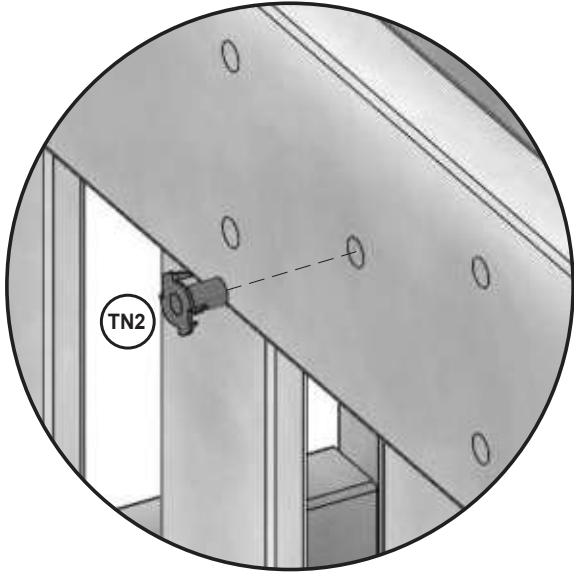
### Wood Parts

7 x **9818** 15.9 x 76.2 x 396.2 mm (5/8 x 3 x 15-5/8")

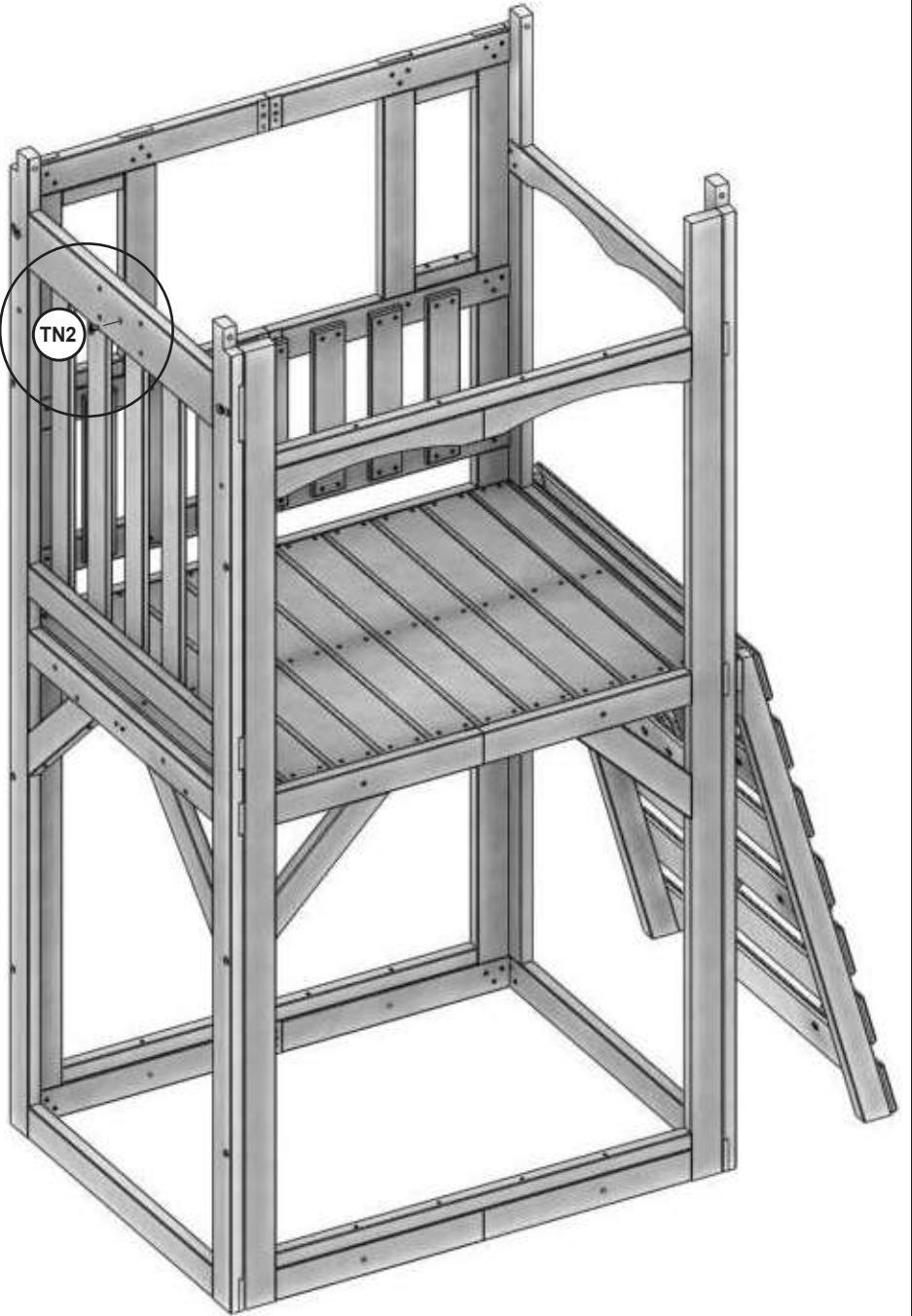
### Hardware

28 x **S20** #8 x 34.9 mm (#8 x 1-3/8")

## Step 17

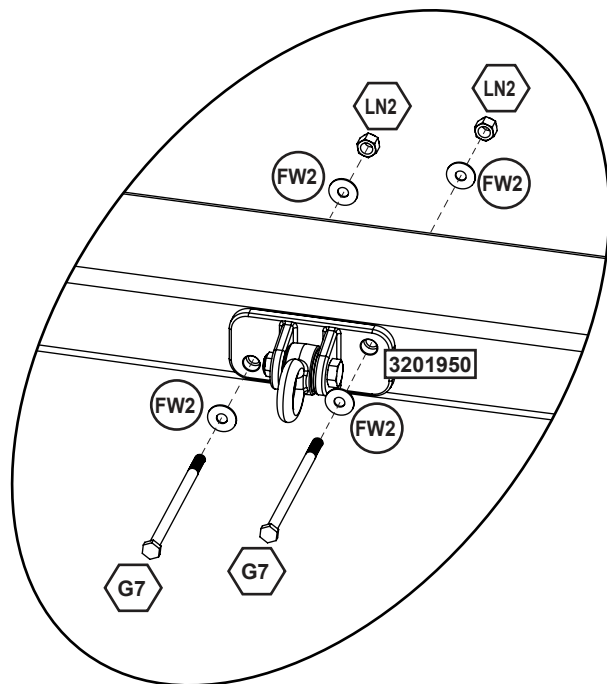


**Install TN2**  
**(will be used in Step 25)**

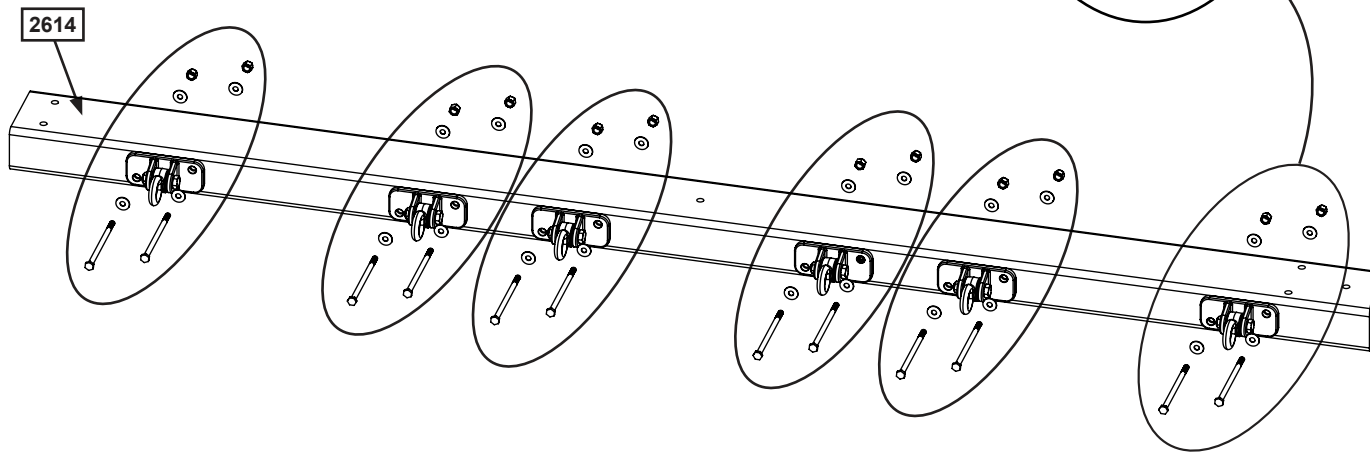
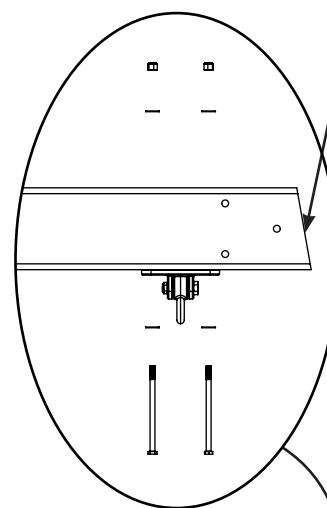


**Hardware**  
**1 x TN2**

# Step 18



Notice Angle Orientation



### Wood Parts

1 x **2614** 76.2 x 133.4 x 2235.2 mm (3" x 5-1/4" x 88")

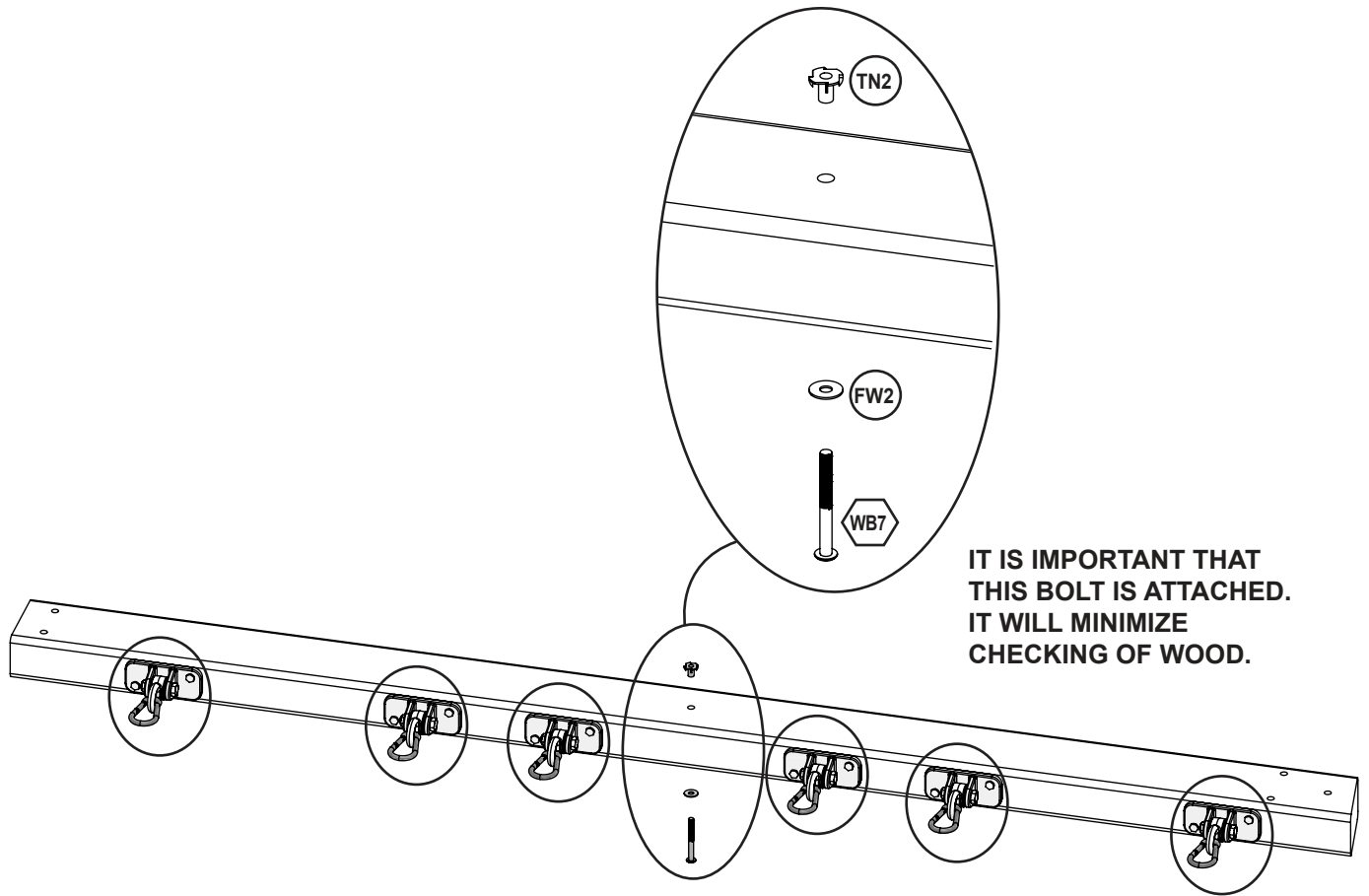
### Hardware

12 x **G7** 7.9mm x 139.7 mm (5/16 x 5-1/2") (LN2, 2 x FW2)

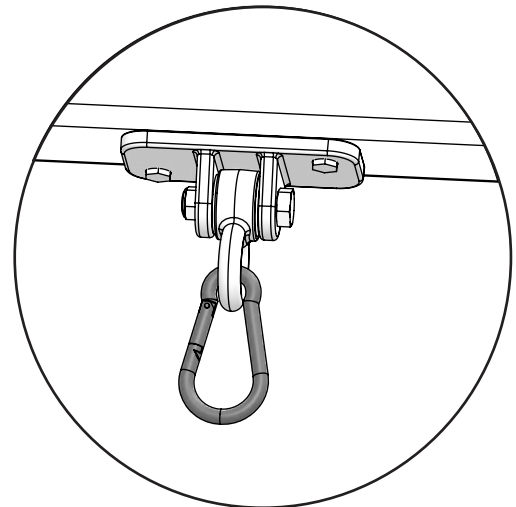
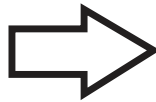
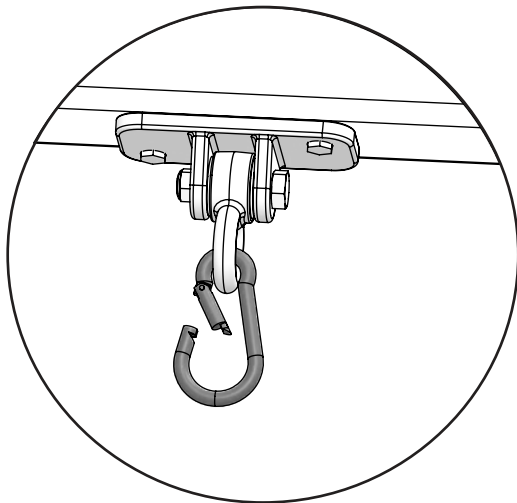
### Other Parts

1 x **3201950**

# Step 19



IT IS IMPORTANT THAT THIS BOLT IS ATTACHED. IT WILL MINIMIZE CHECKING OF WOOD.

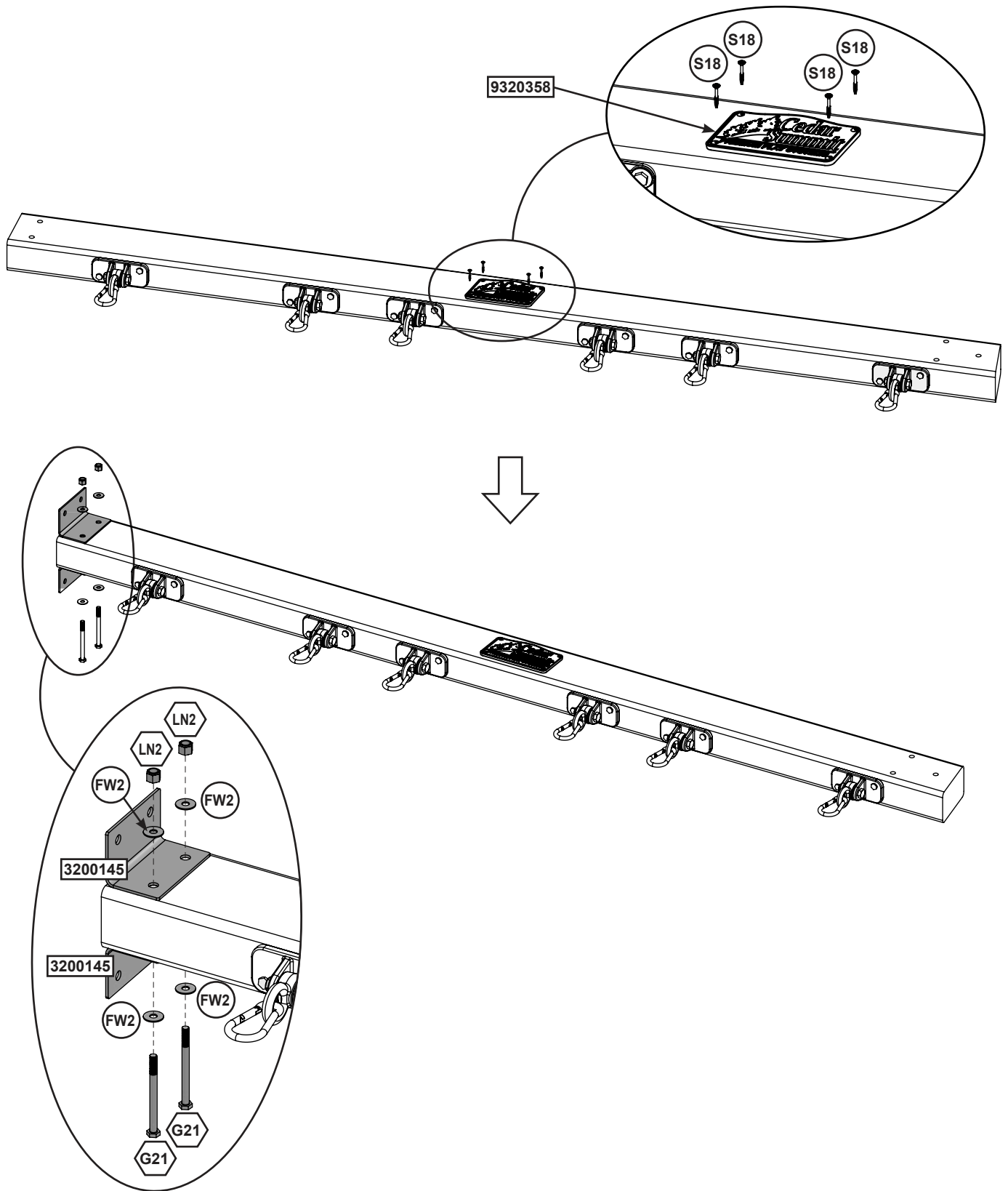


**Caution:** The Spring Loaded Quick Link must be attached to the Heavy Duty Swing Hanger in the closed position.



### Hardware

1 x  7.9mm x 76.2mm (5/16 x 3") (FW2 , TN2 )



# Step 20



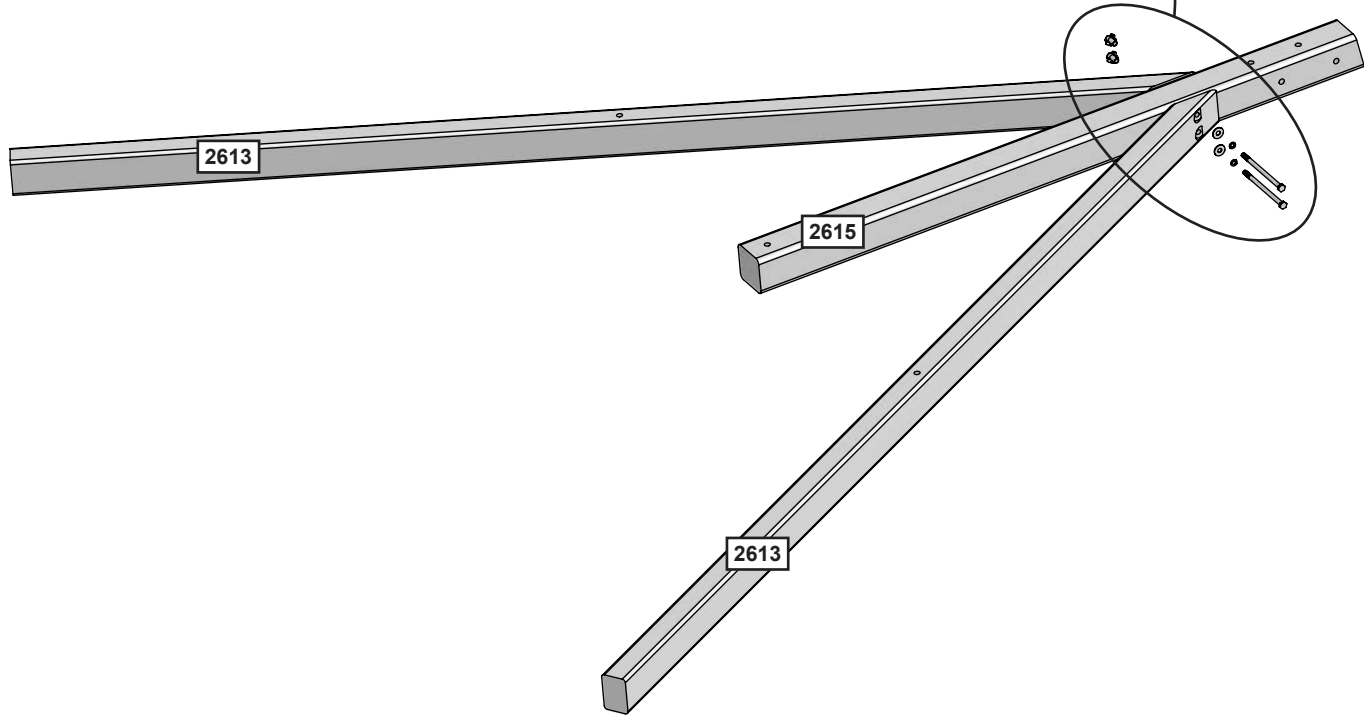
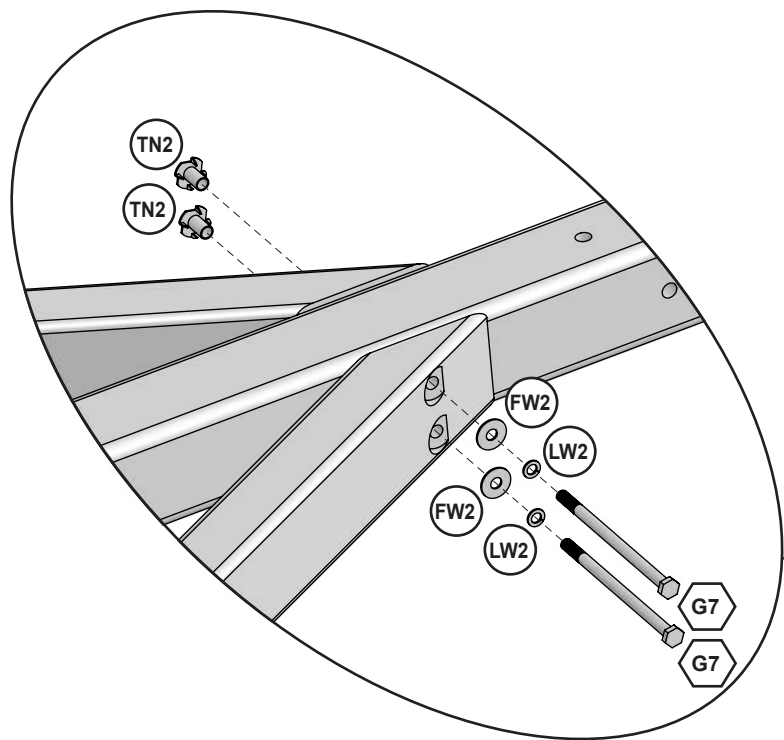
### Hardware

- 2 x  7.9 x 95 mm (5/16 x 3-3/4") (2 x FW2, LN2)
- 4 x  #6 x 25.4 mm (#6 x 1")

### Other Parts

- 1 x 
- 1 x 

# Step 21



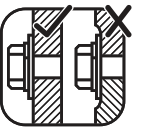
### Wood Parts

- 2 x **2613** 50.8 x 76.2 x 2201.9 mm (2 x 3 x 86-11/16")
- 1 x **2615** 76.2 x 76.2 x 1294.3 mm (3 x 3 x 50-15/16")

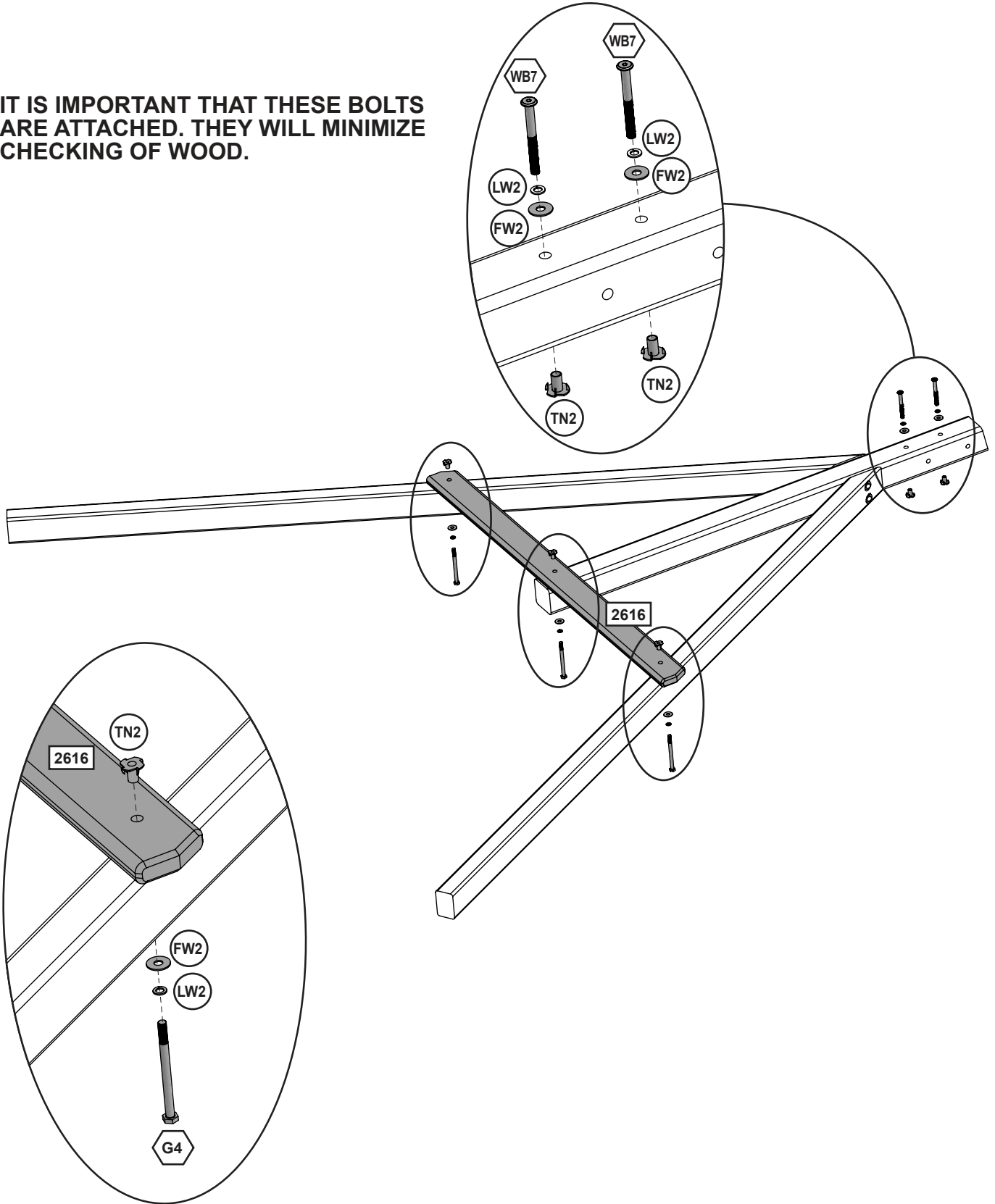
### Hardware

- 2 x **G7** 7.9 x 139.7 mm (5/16 x 5-1/2") (LW2, FW2, TN2)

# Step 22



IT IS IMPORTANT THAT THESE BOLTS ARE ATTACHED. THEY WILL MINIMIZE CHECKING OF WOOD.



### Wood Parts

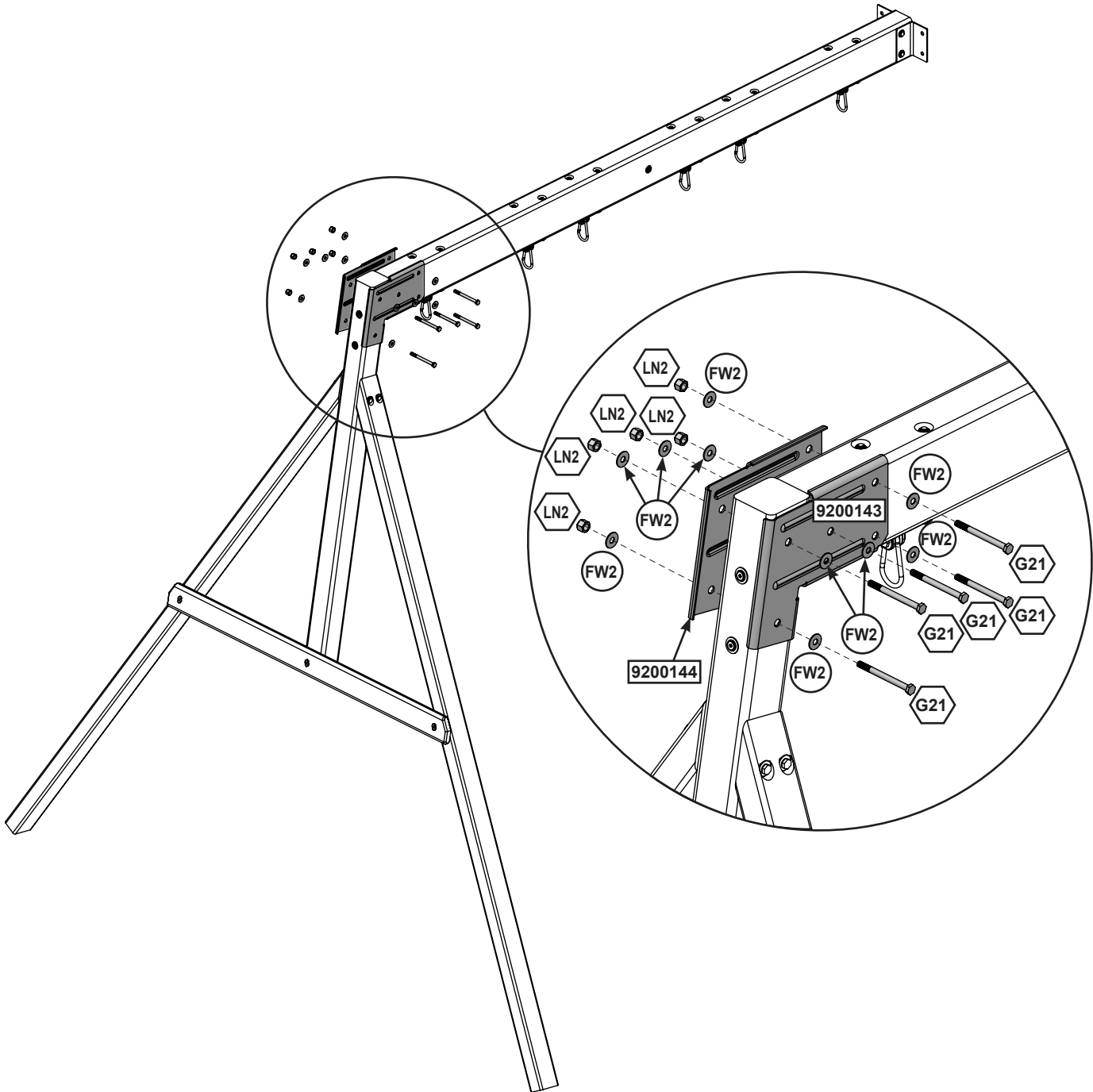
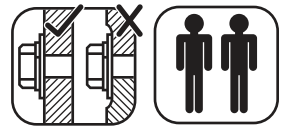
1 x **2616** 23.8 x 82.6 x 1181.1mm (15/16 x 3-1/4 x 46-1/2")

### Hardware


3 x **G4** 7.9mm x 101.6mm (5/16 x 4") (LW2, FW2, TN2)

2 x **WB7** 7.9mm x 76.2mm (5/16 x 3") (LW2, FW2, TN2)


# Step 23

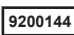


### Hardware

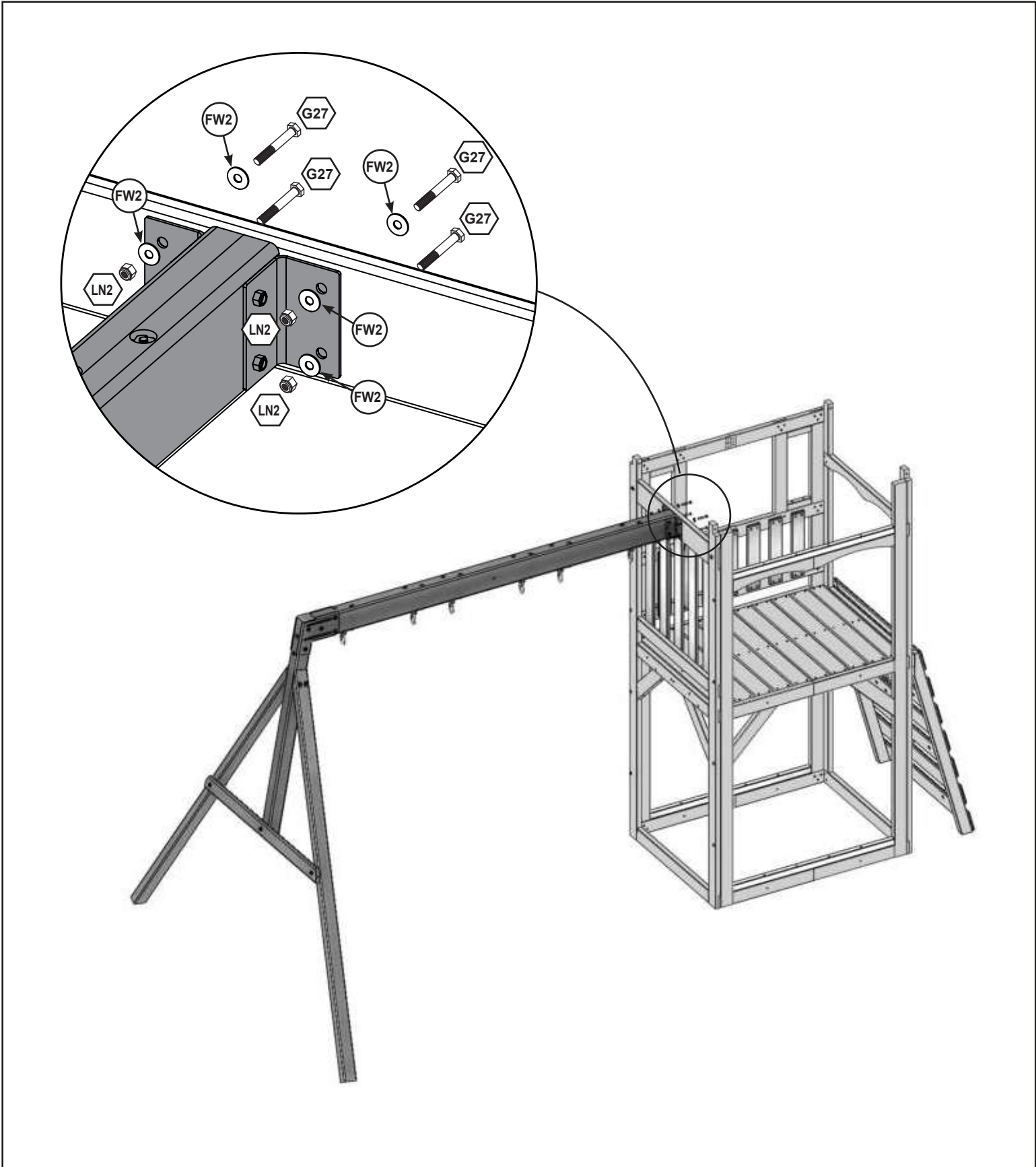
5 x  7.9 x 95 mm (5/16 x 3-3/4") (LN2, 2 x FW2)

### Other Parts

1 x  9200143

1 x  9200144

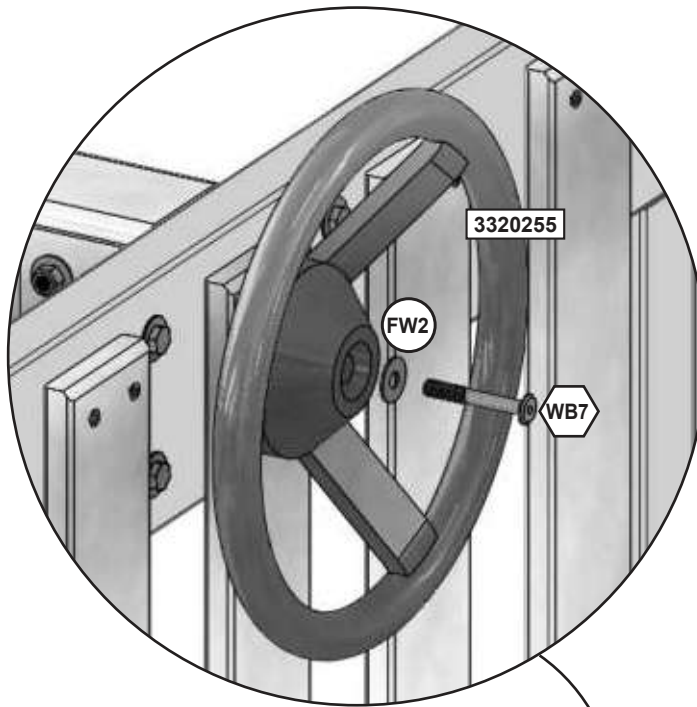
# Step 24



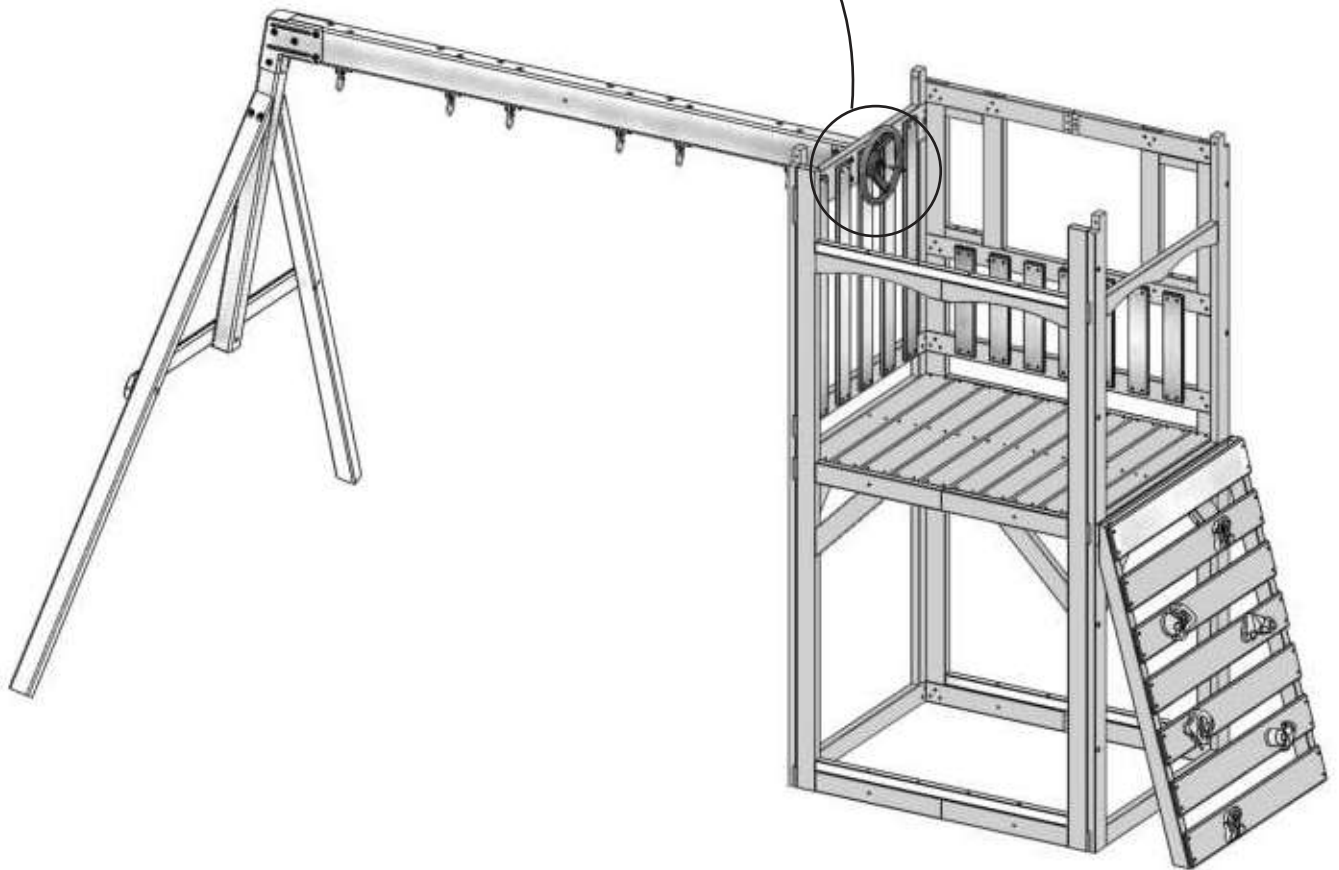
### Hardware

4 x  7.9 x 44.5 mm (5/16 x 1-3/4") (LN2, 2 x FW2)


## Step 25



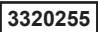
**Note:** T-Nut previously installed in Step 17.



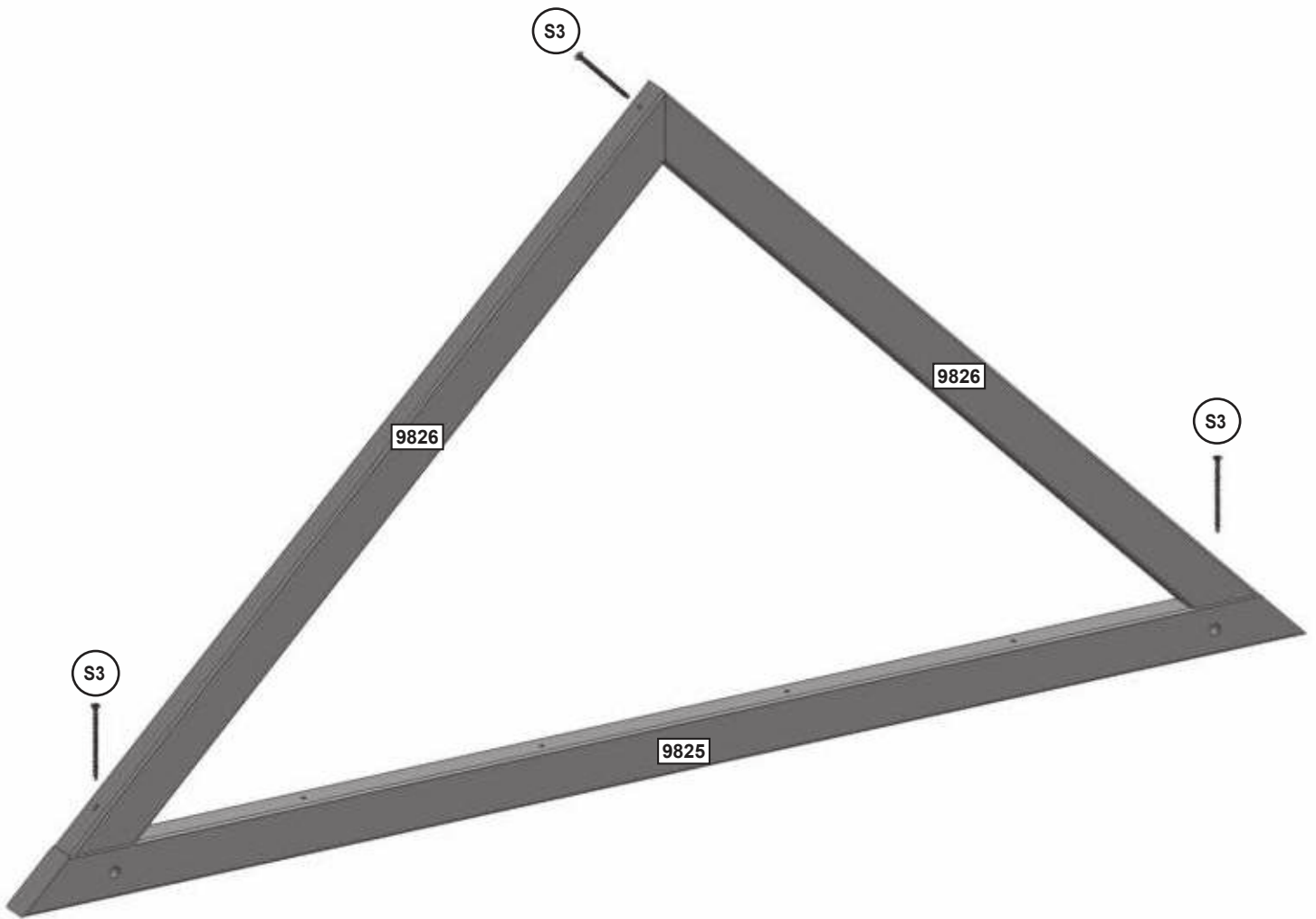
### Hardware

1 x  7.9mm x 76.2mm (5/16 x 3") (FW2)

### Other Parts

1 x 

## Step 26 x 2



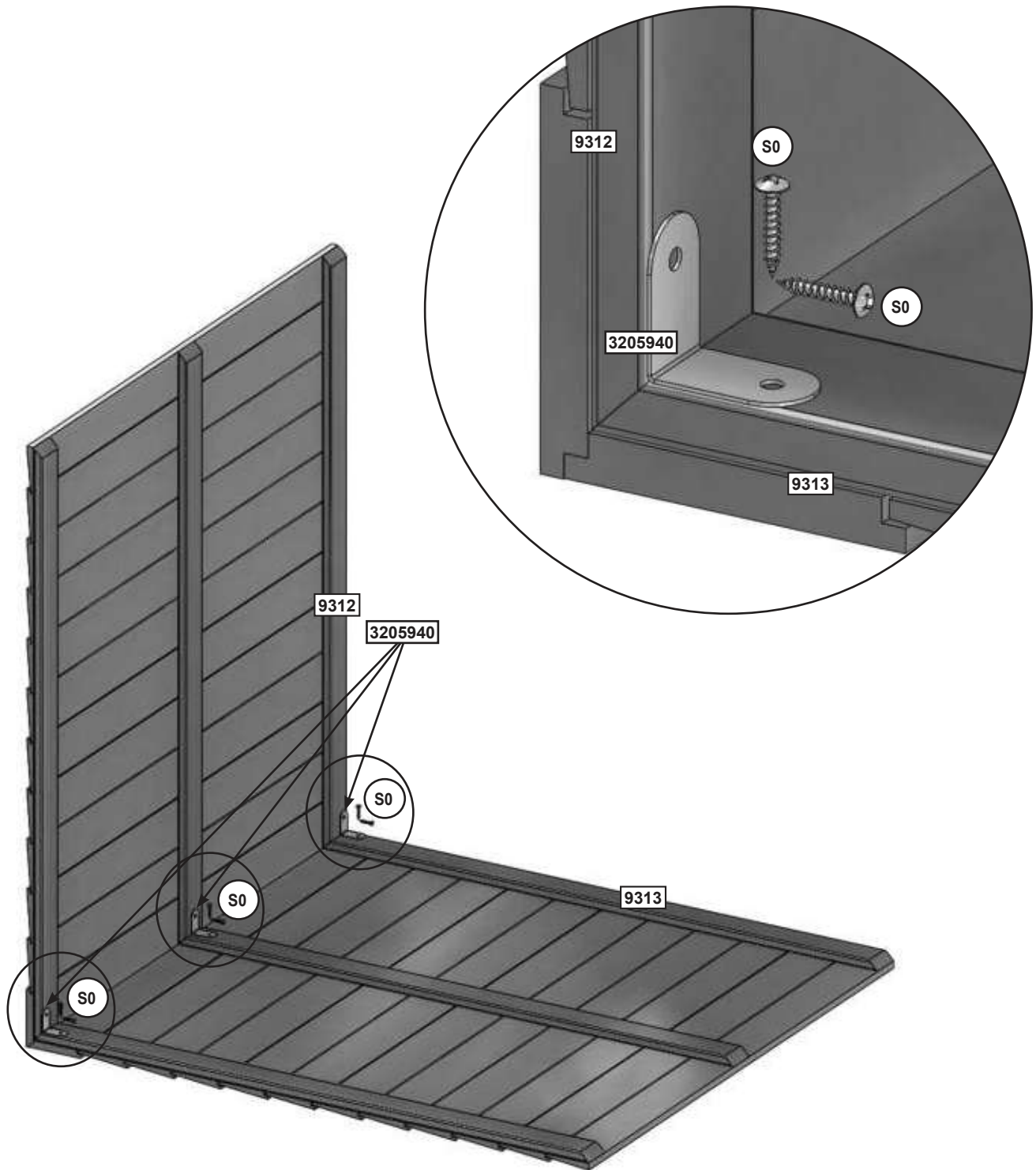
### Wood Parts

- 2 x 9825 31.8 x 50.8 x 1371.6 mm (1-1/4 x 2 x 54")
- 4 x 9826 31.8 x 50.8 x 898.1 mm (1-1/4 x 2 x 35-3/8")

### Hardware

- 6 x S3 #8 x 64mm (#8 x 2-1/2")

# Step 27



### Wood Parts

- 1 x **9312** 28.6 x 952.5 x 1014.4 mm (1-1/8 x 37-1/2 x 39-15/16")
- 1 x **9313** 28.6 x 952.5 x 1008 mm (1-1/8 x 37-1/2 x 39-11/16")

### Hardware

- 6 x **S0** #8 x 22.2mm (#8 x 7/8")

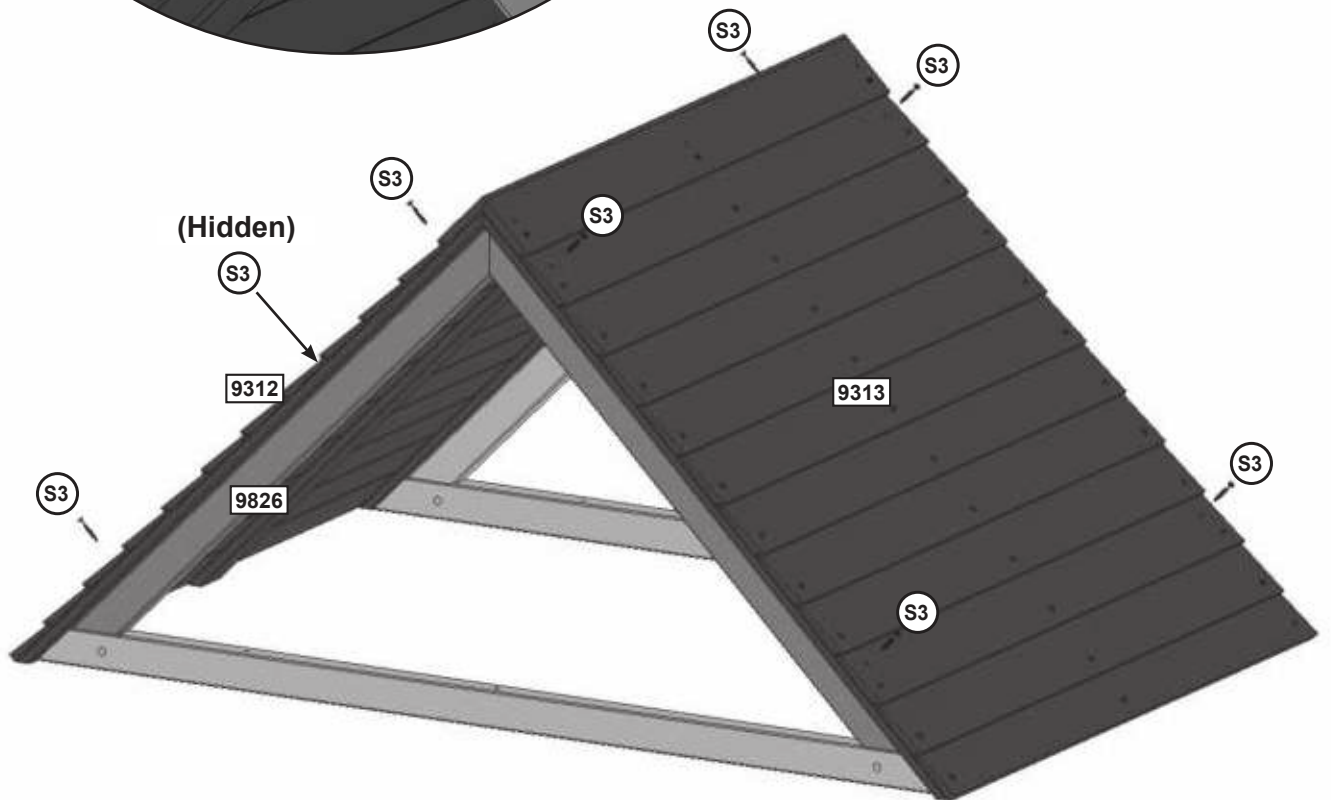
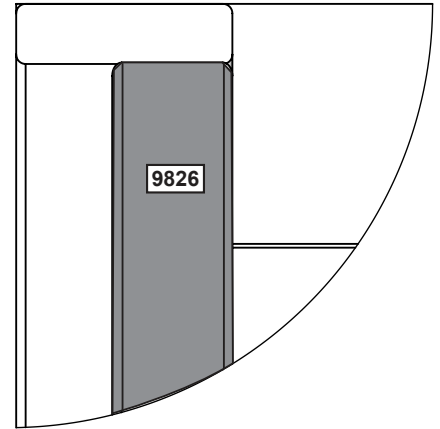
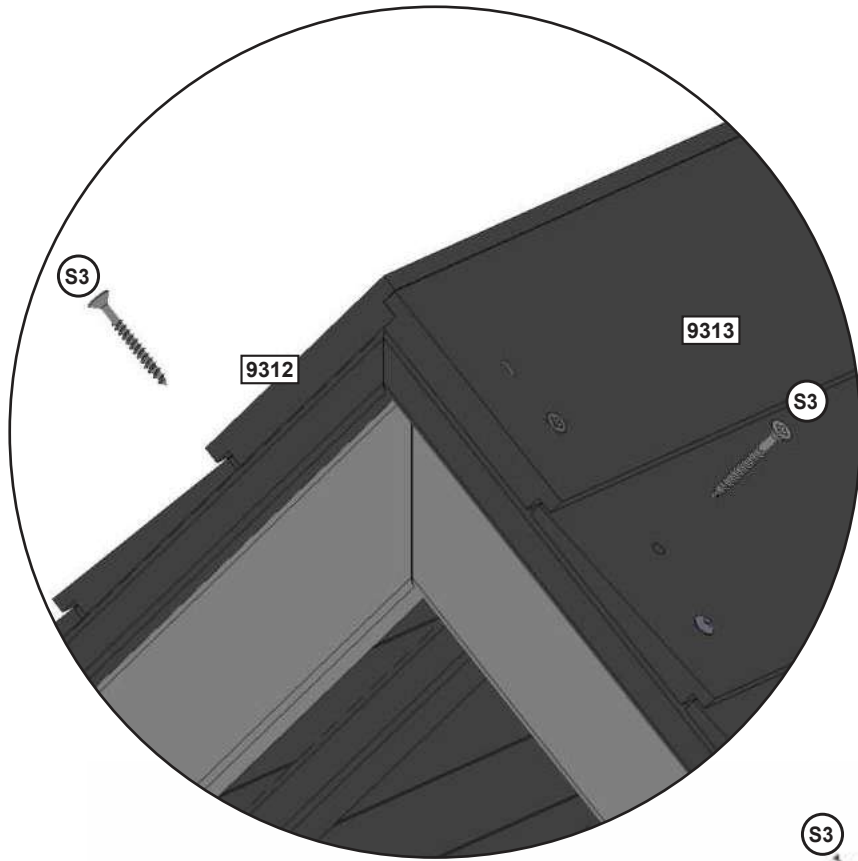
### Other Parts

- 1 x **3205940**


# Step 28



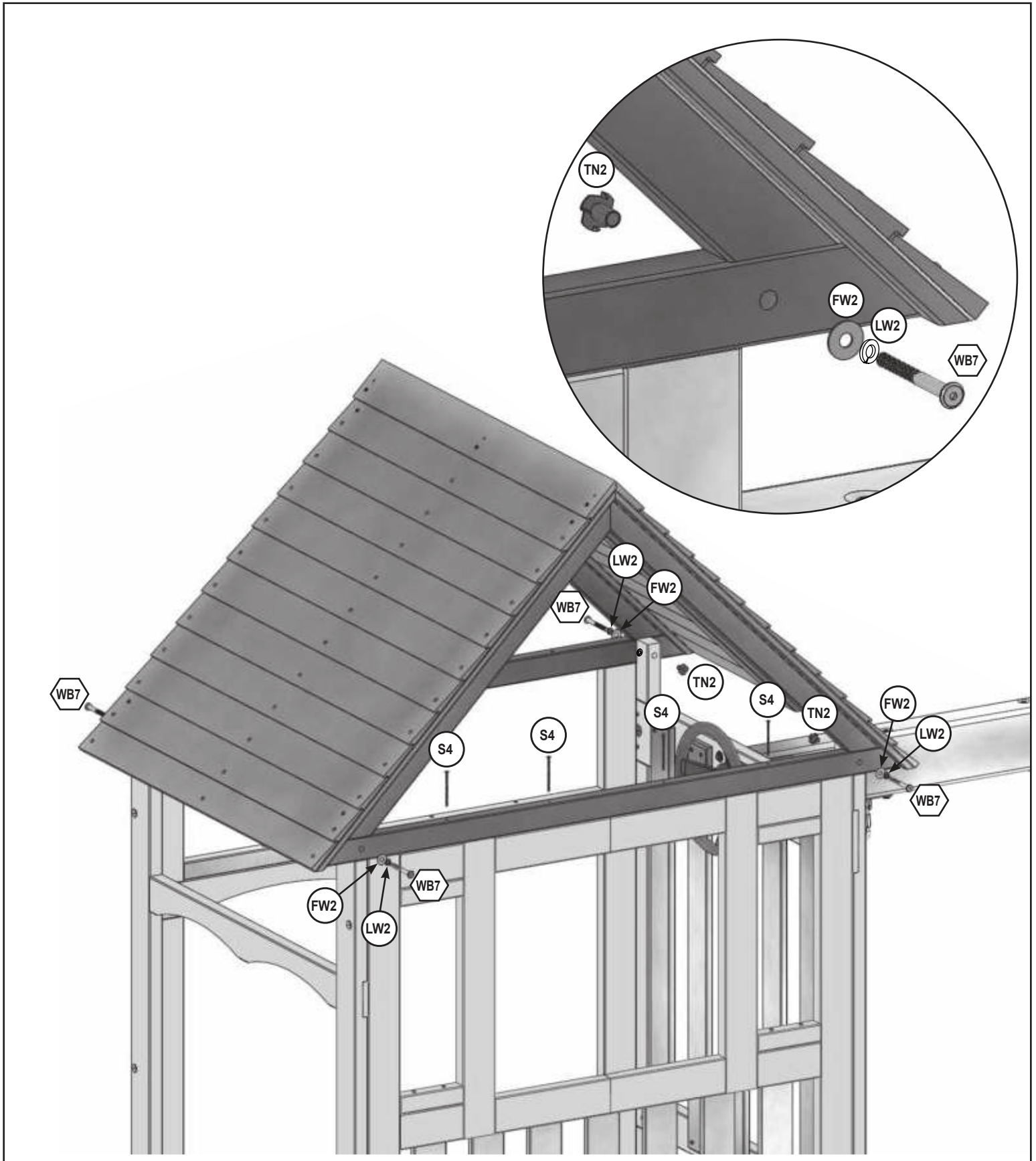
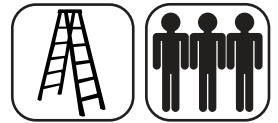
Gables should be flush to inside edges on both sides




### Hardware

8 x  #8 x 63.5 mm (#8 x 2-1/2")

# Step 29

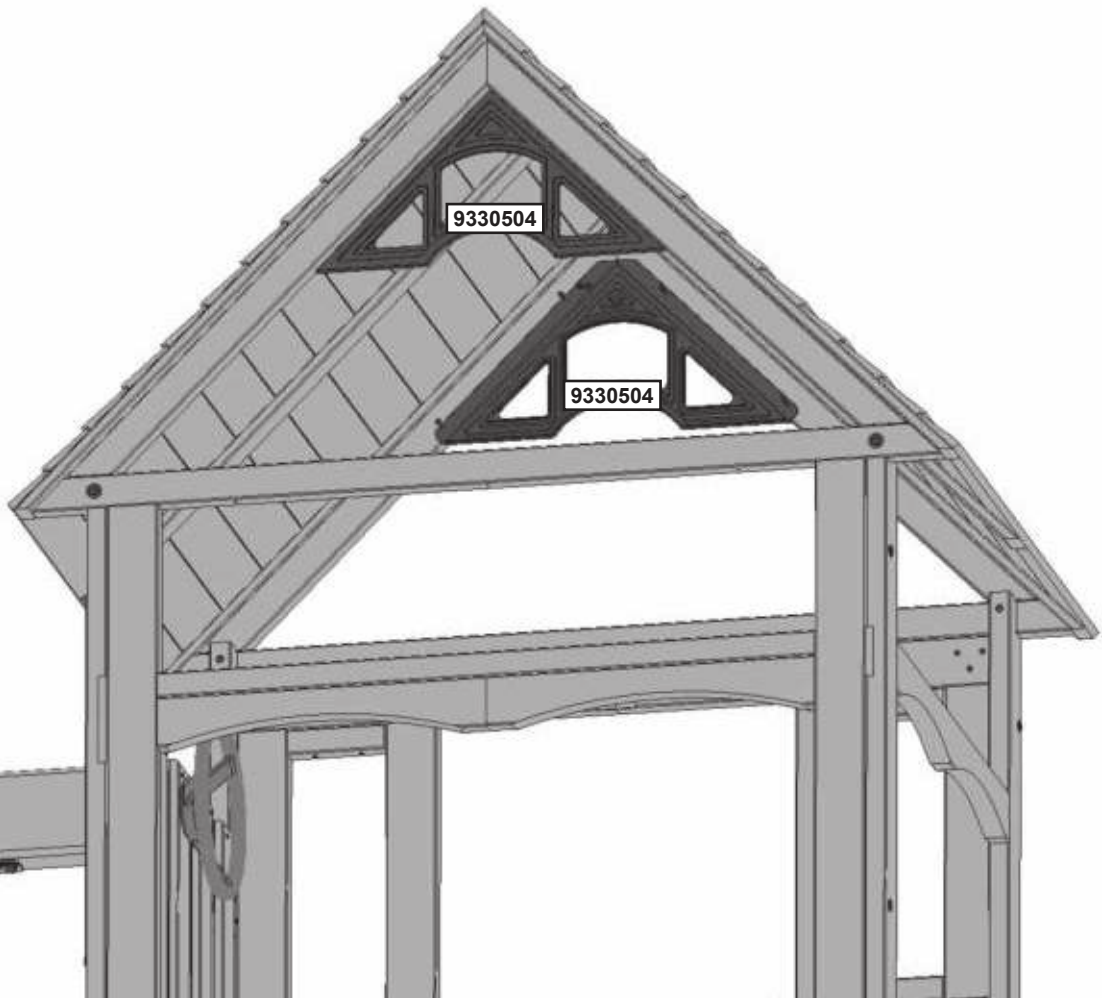
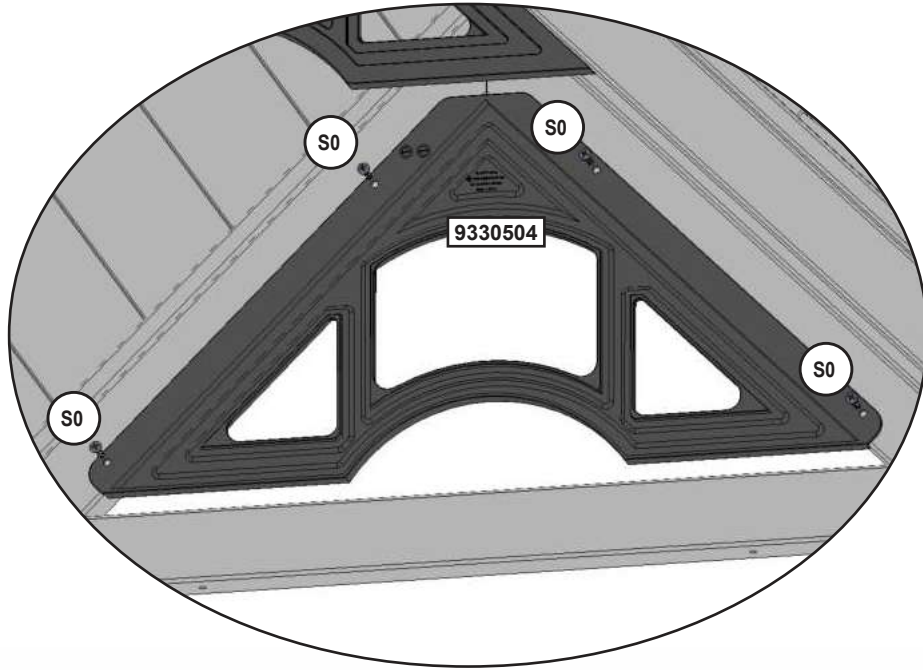


### Hardware


4 x  7.9mm x 76.2mm (5/16 x 3") (LW2, FW2, TN2)

4 x  #8 x 76.2mm (#8 x 3")

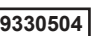
# Step 30



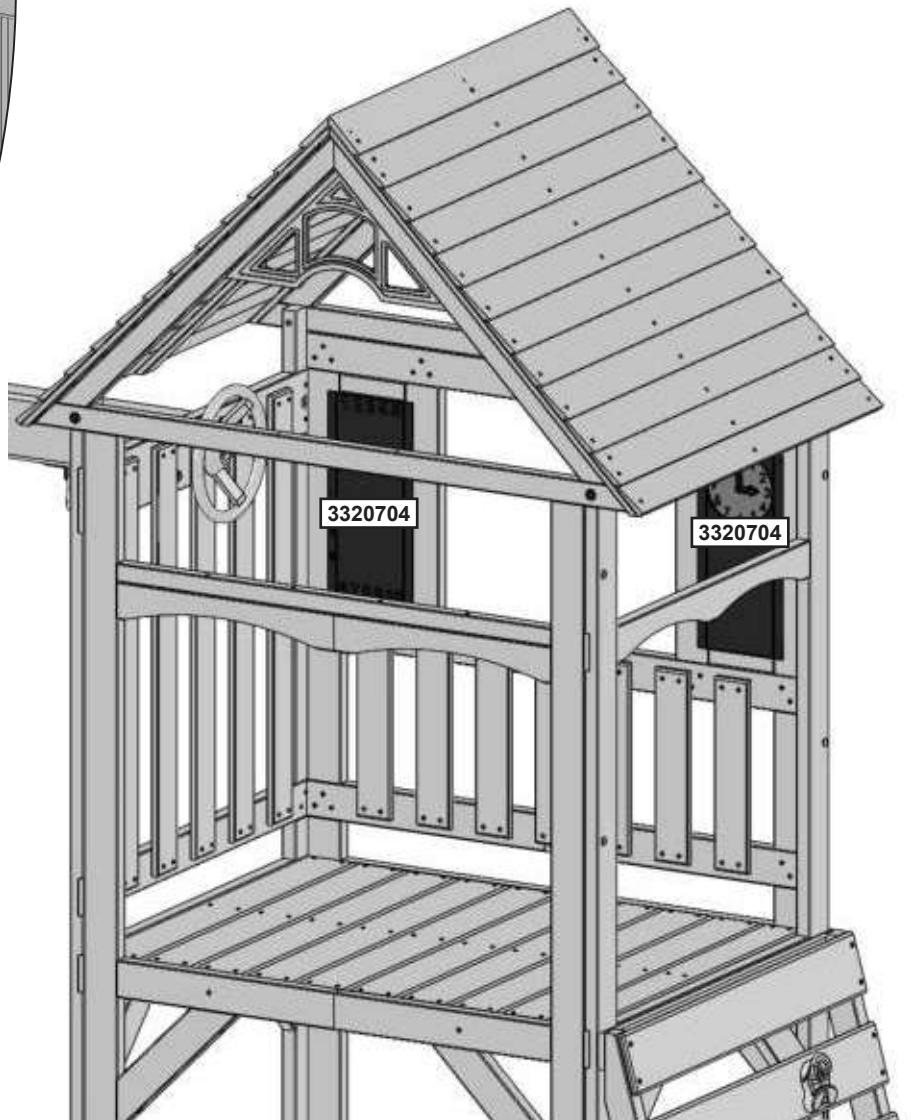
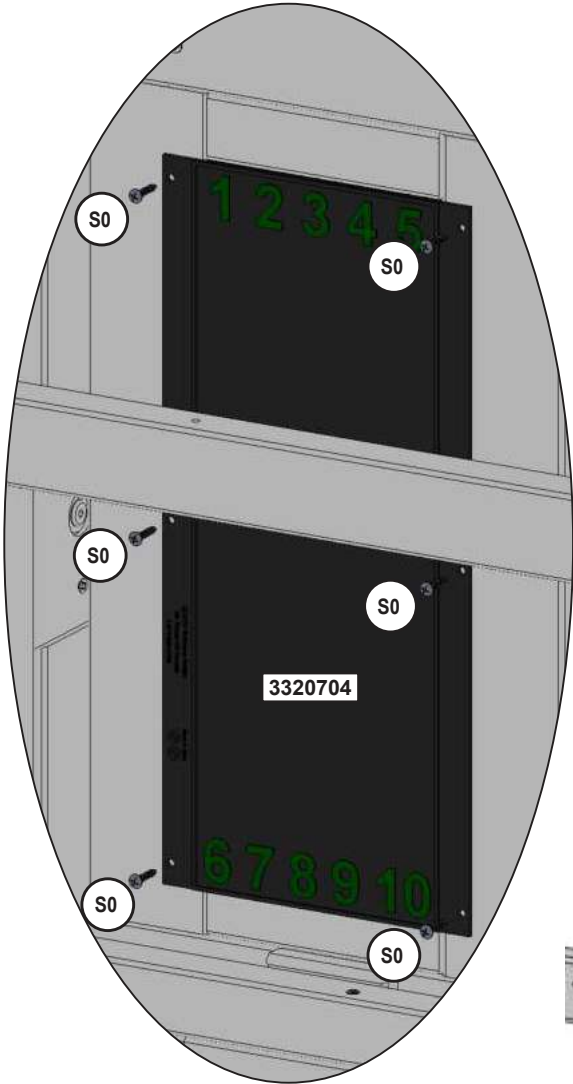
### Hardware

8 x  #8 x 22.2mm (#8 x 7/8")


### Other Parts

2 x 

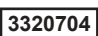
# Step 31



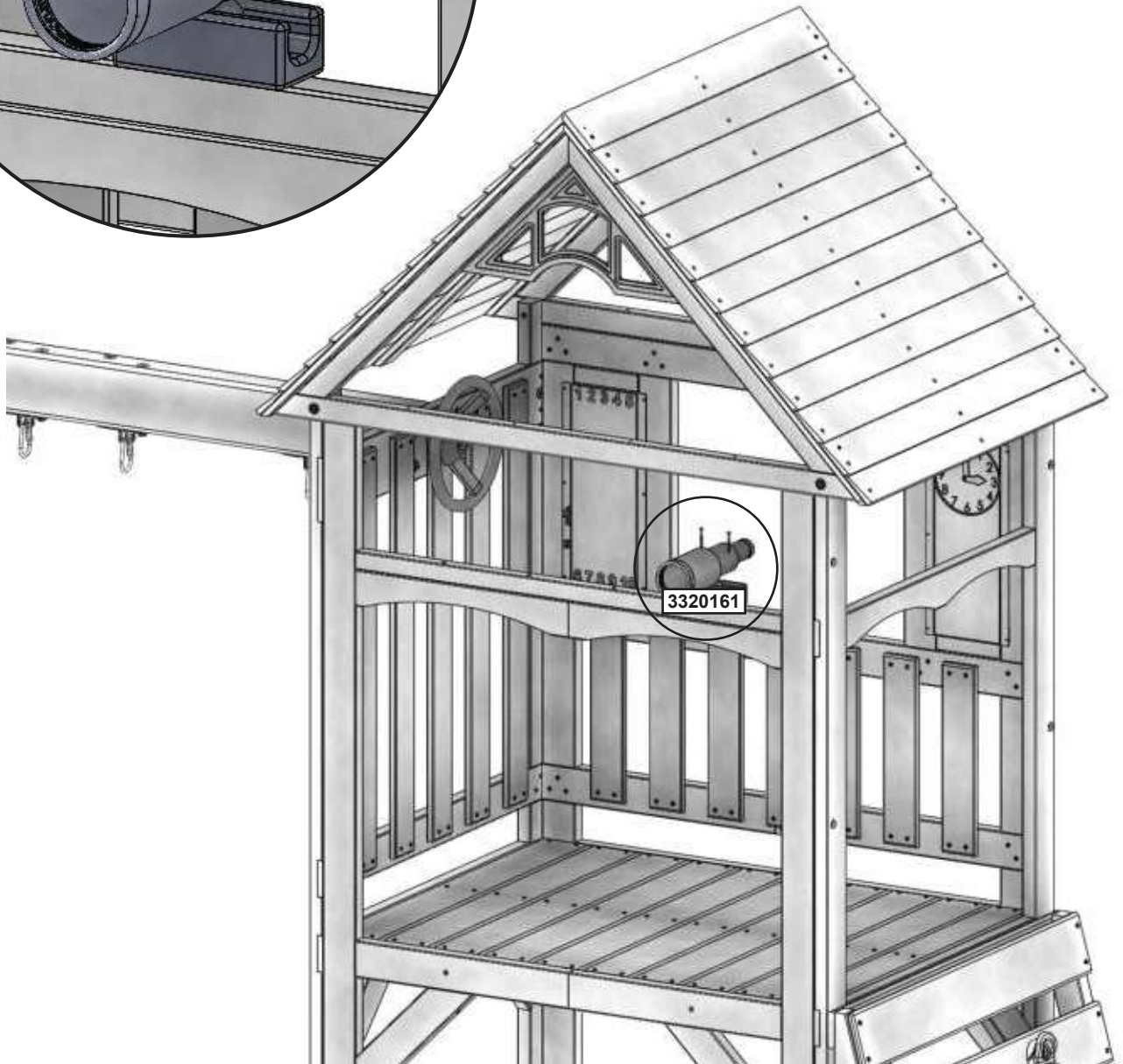
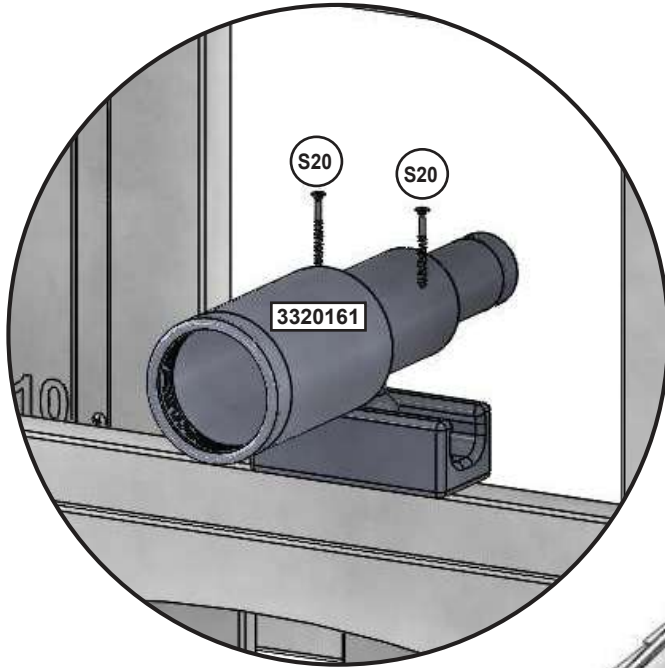
## Hardware

12 x  #8 x 22.2mm (#8 x 7/8")

## Other Parts

2 x 


# Step 32



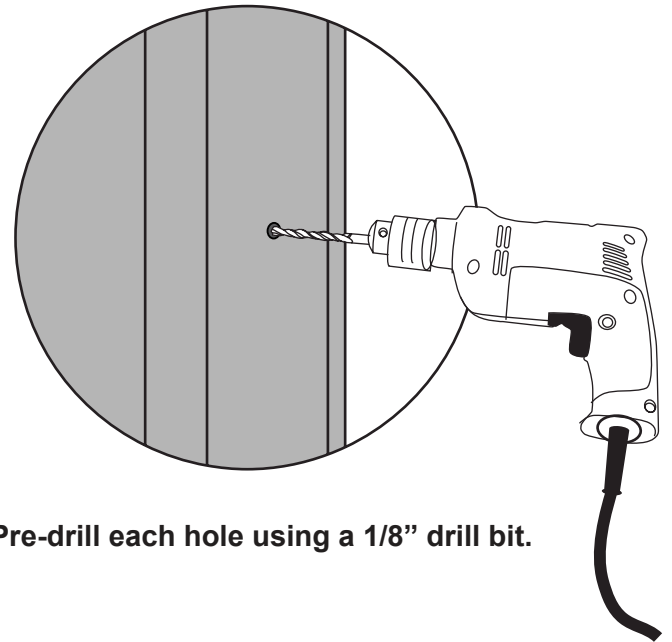
## Hardware

2 x  #8 x 35mm (#8 x 1-3/8")

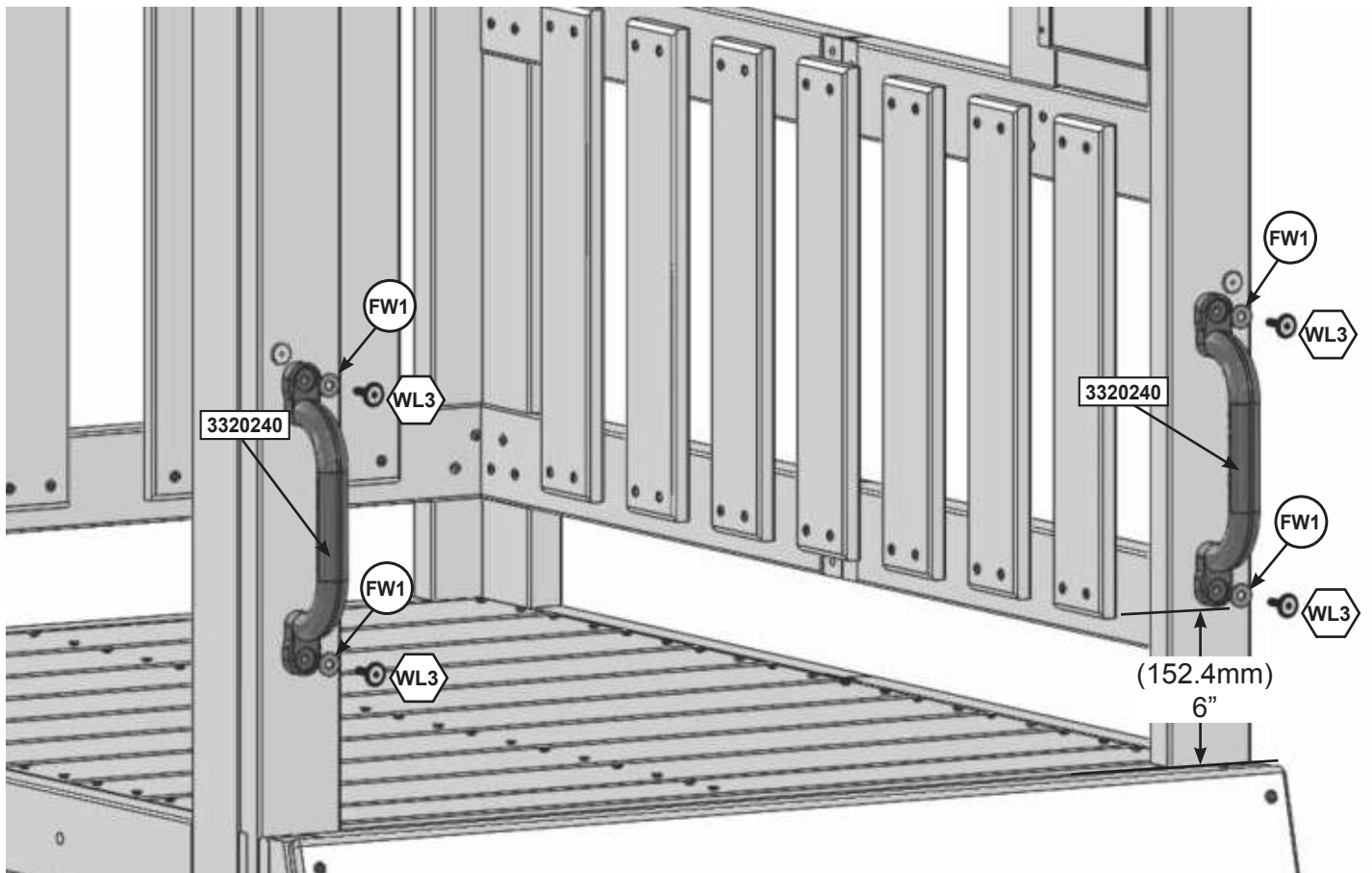
## Other Parts

1 x 


# Step 33




Pre-drill each hole using a 1/8" drill bit.



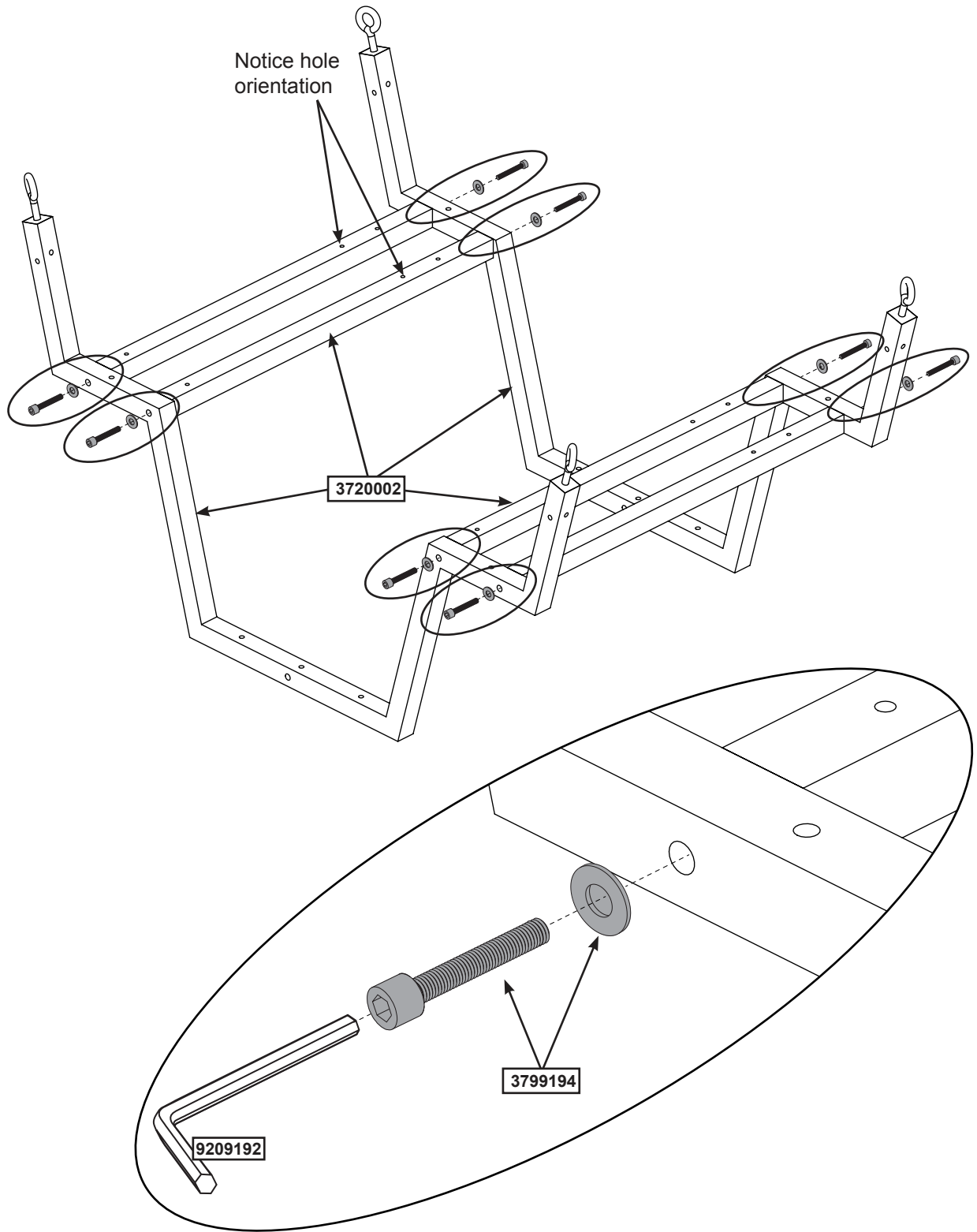
### Hardware

4 x  6.4 x 35 mm (1/4 x 1-3/8") (FW1)

### Other Parts

1 x 

# Step 34



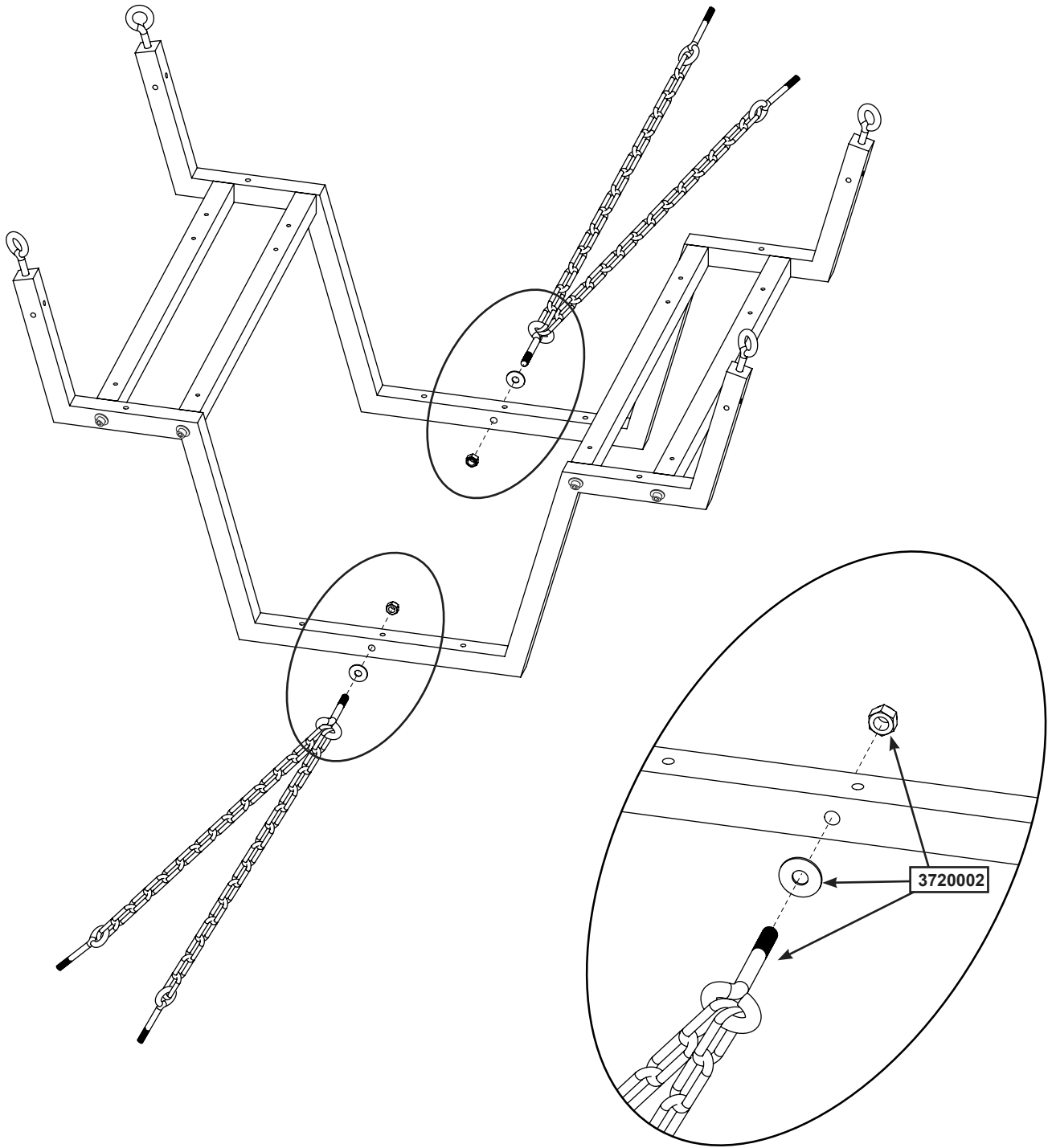
### Other Parts

8 x 3799194

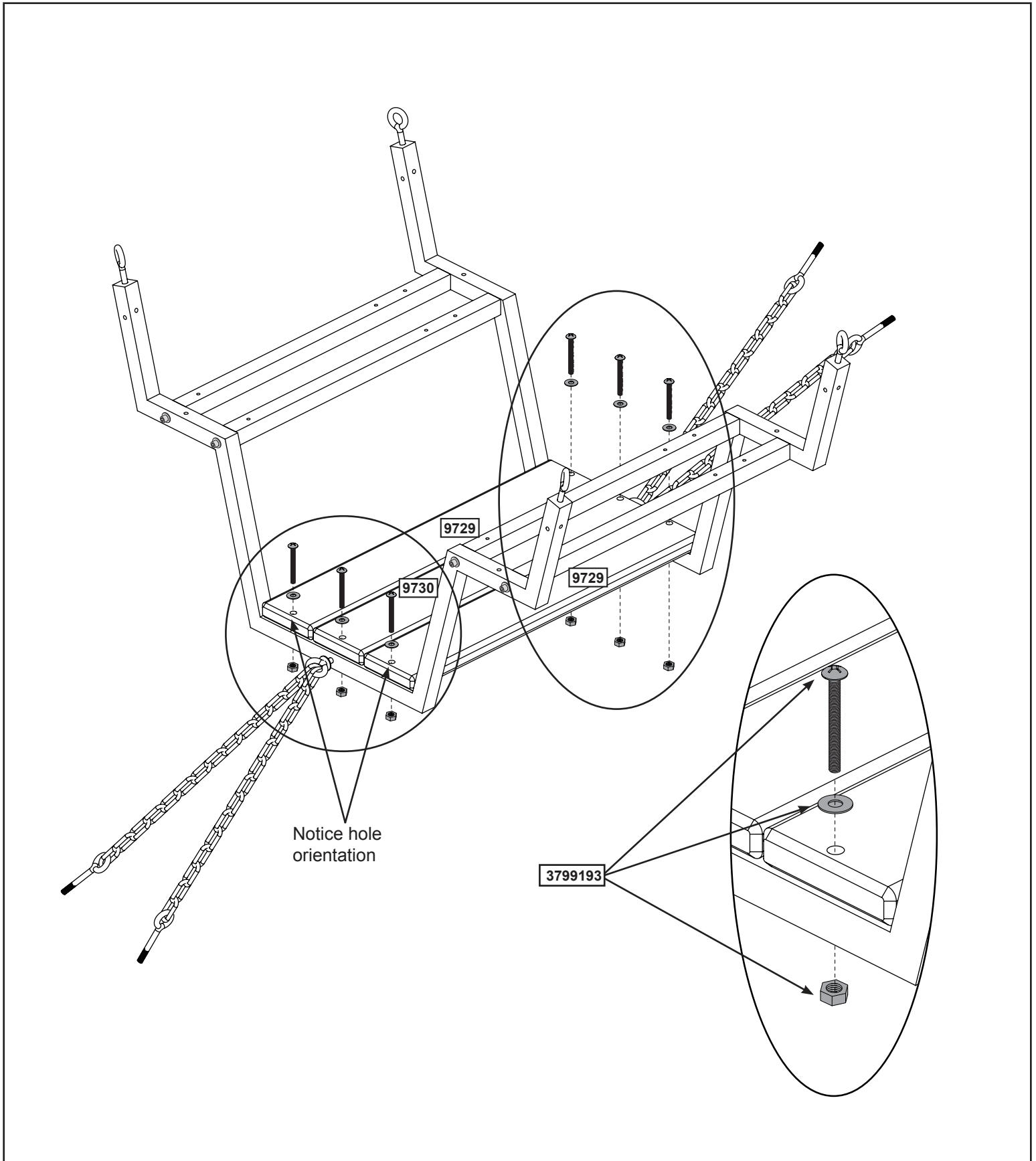
1 x 3720002

1 x 9209192

# Step 35



# Step 36



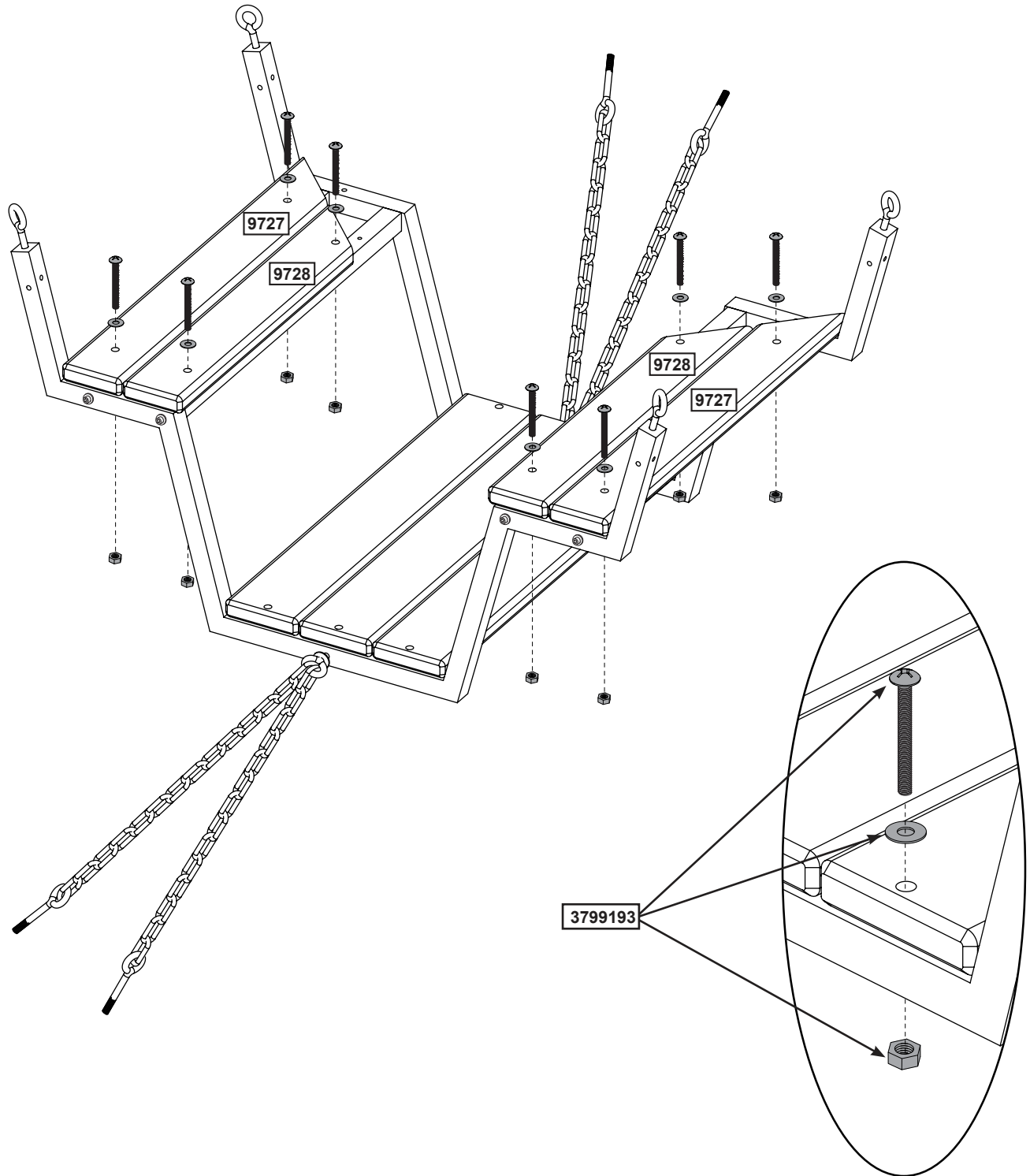
## Wood Parts

- 2 x **9729** 23.8 x 101.6 x 584.8 mm (15/16" x 4" x 23")
- 1 x **9730** 23.8 x 101.6 x 584.8 mm (15/16" x 4" x 23")

## Other Parts

- 6 x **3799193**

# Step 37



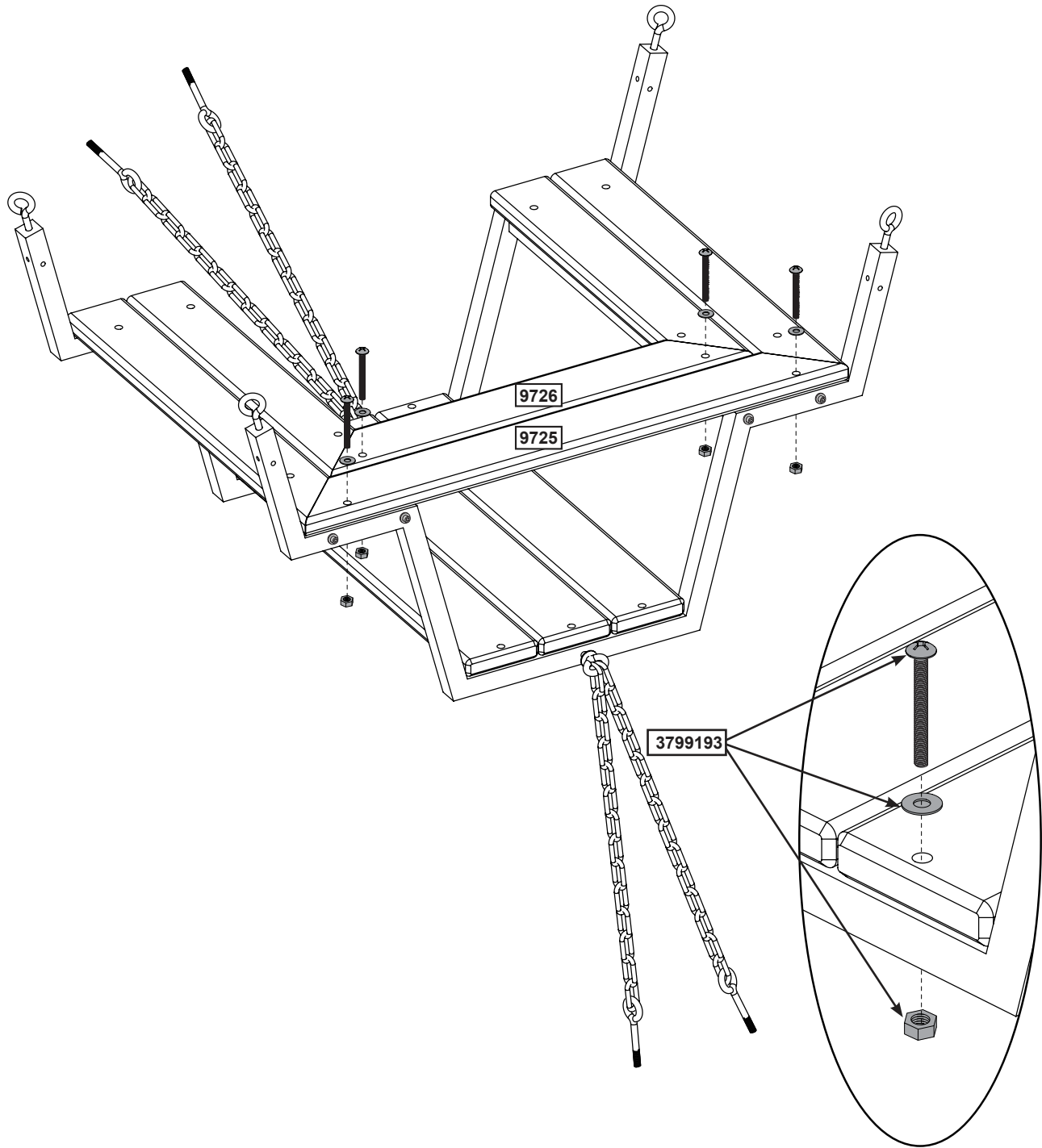
### Wood Parts

- 2 x 9727 23.8 x 82.6 x 584.8 mm (15/16" x 3-1/4" x 23")
- 2 x 9728 23.8 x 82.6 x 500.2 mm (15/16" x 3-1/4" x 19-11/16")

### Other Parts

- 8 x 3799193

# Step 38



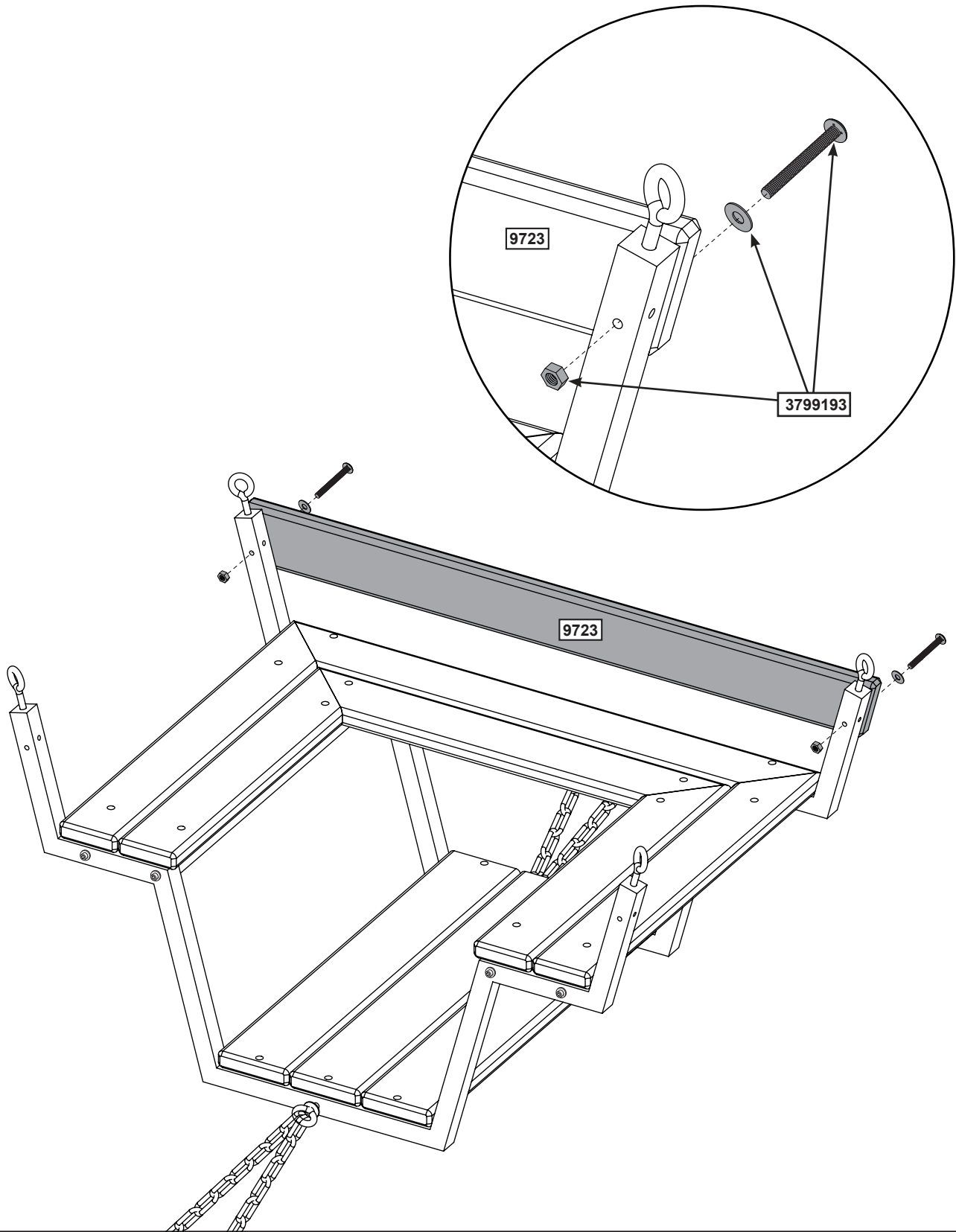
### Wood Parts

- 1 x **9725** 23.8 x 82.6 x 761.2 mm (15/16" x 3-1/4" x 30")
- 1 x **9726** 23.8 x 82.6 x 592.3 mm (15/16" x 3-1/4" x 23-5/16")

### Other Parts

- 4 x **3799193**

# Step 39



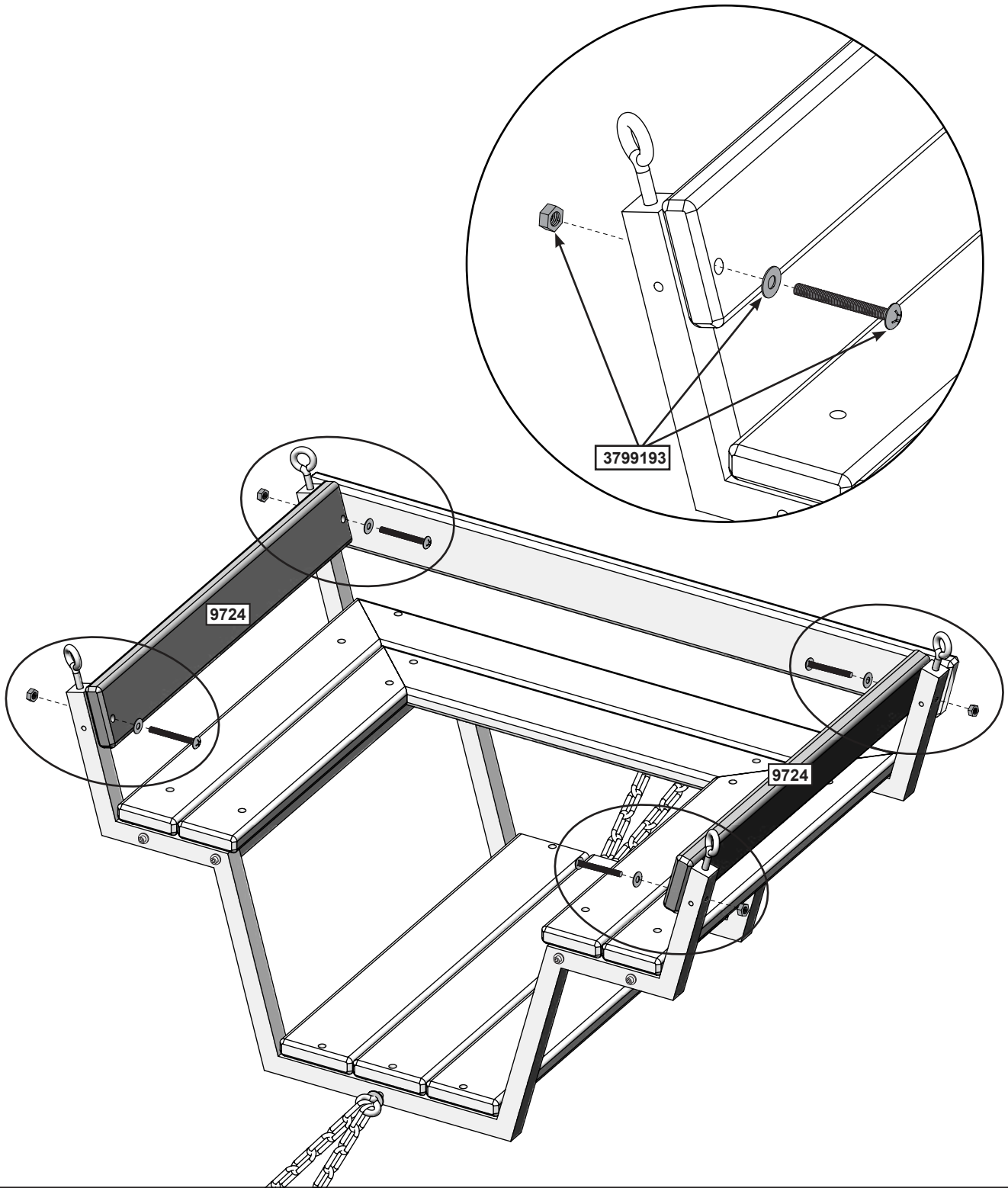
### Wood Parts

1 x **9723** 23.8 x 82.6 x 905.7 mm (15/16" x 3-1/4" x 35-5/8")

### Other Parts

2 x **3799193**

# Step 40



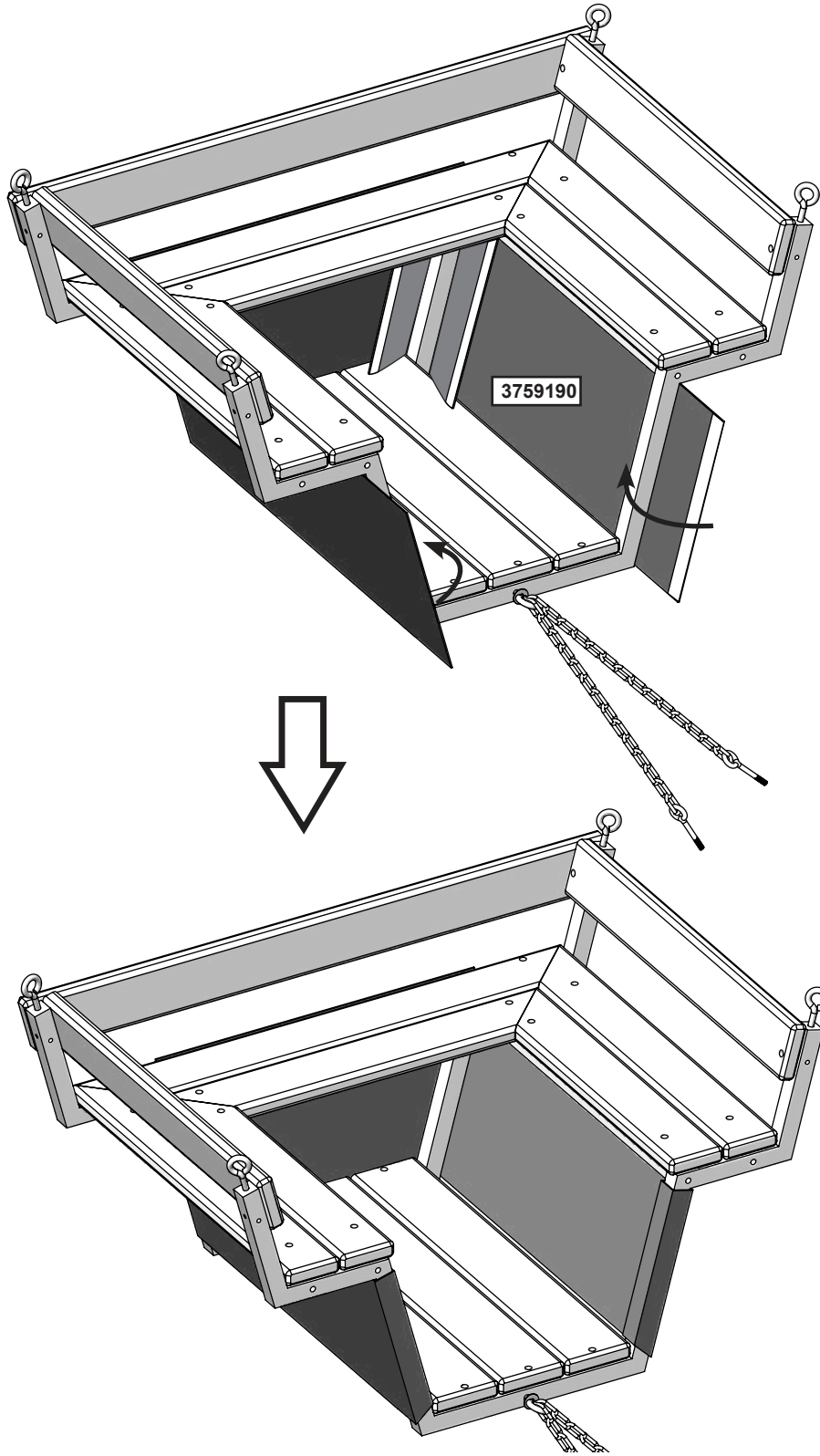
### Wood Parts

2 x **9724** 23.8 x 82.6 x 584.8 mm (15/16" x 3-1/4" x 23")

### Other Parts

4 x **3799193**

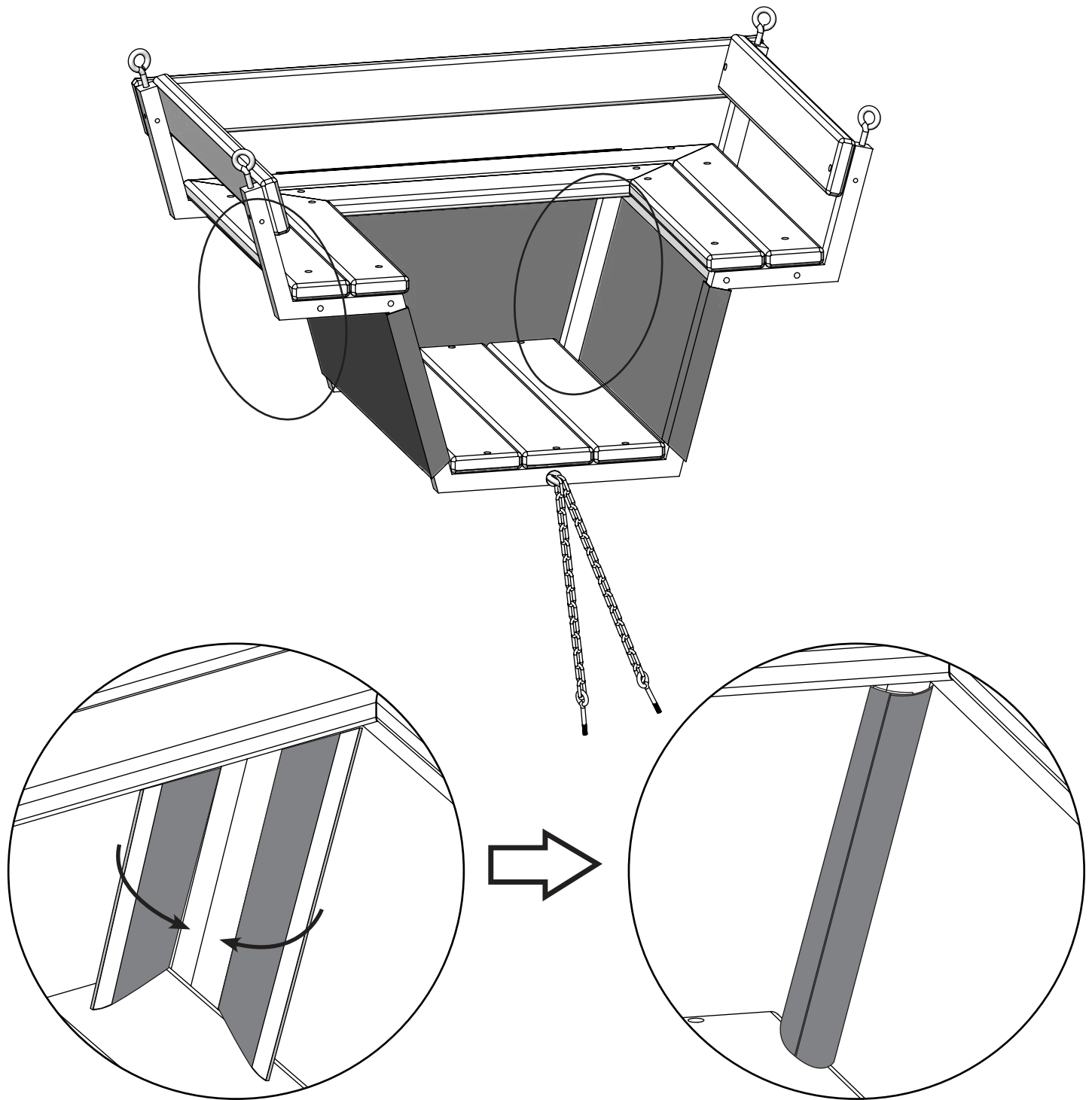
# Step 41



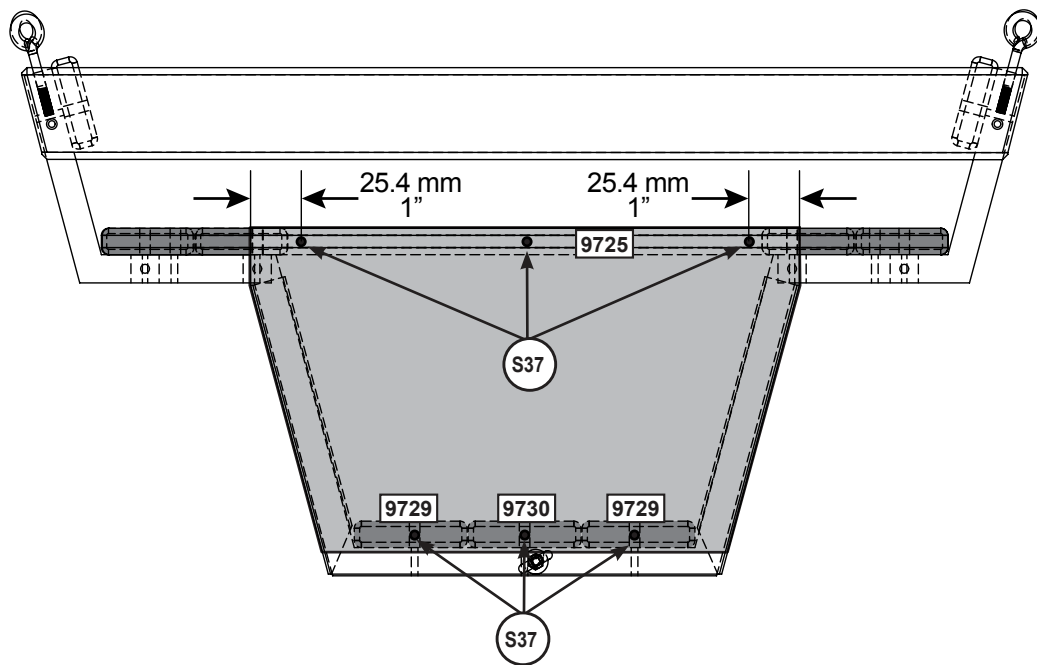
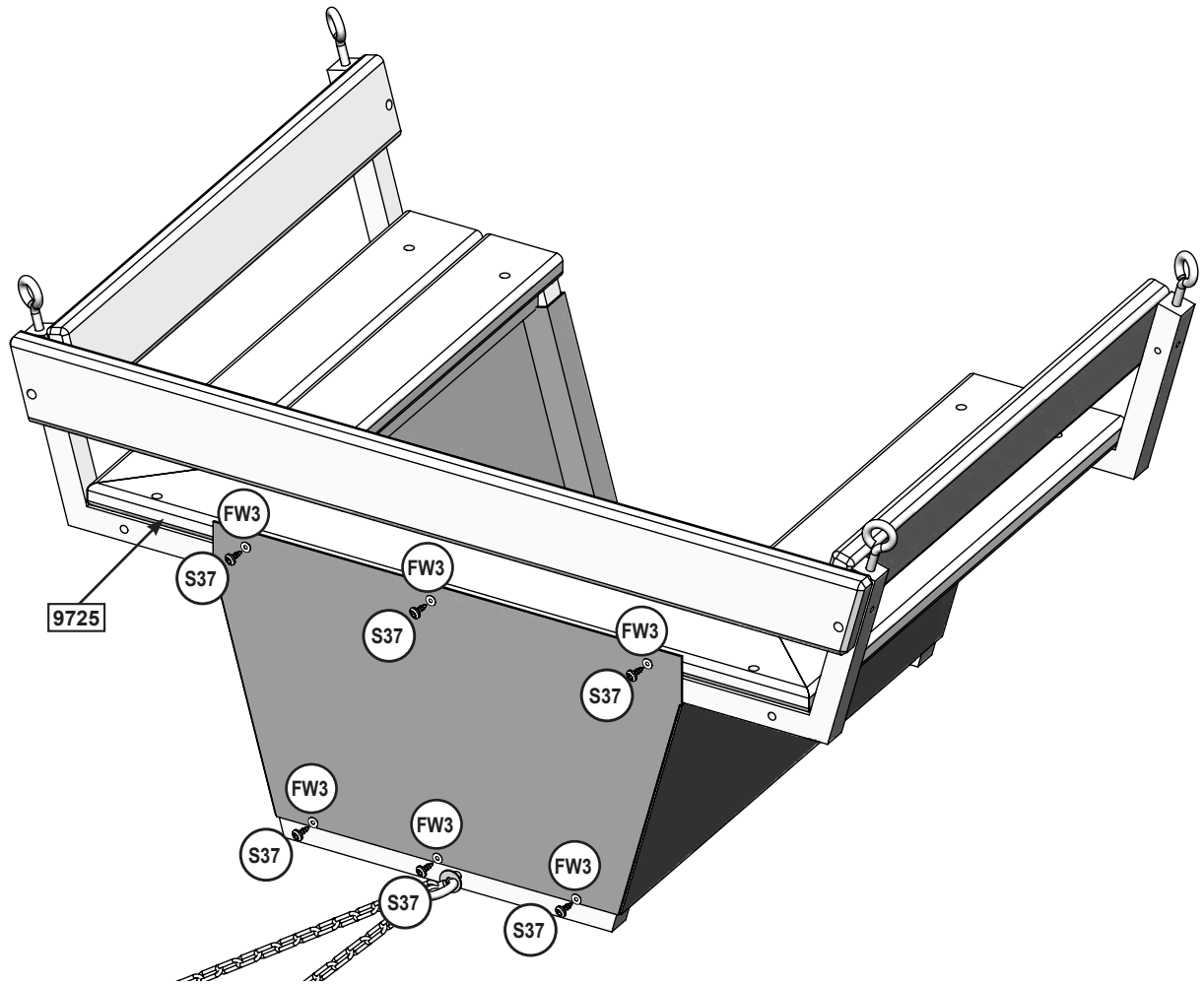
**Other Parts**

1 x **3759190**

# Step 42



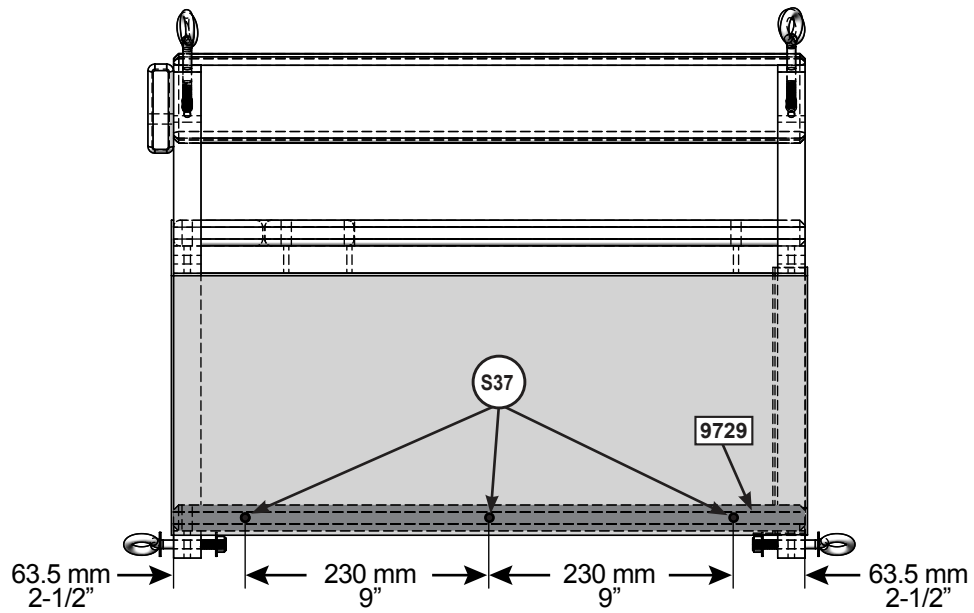
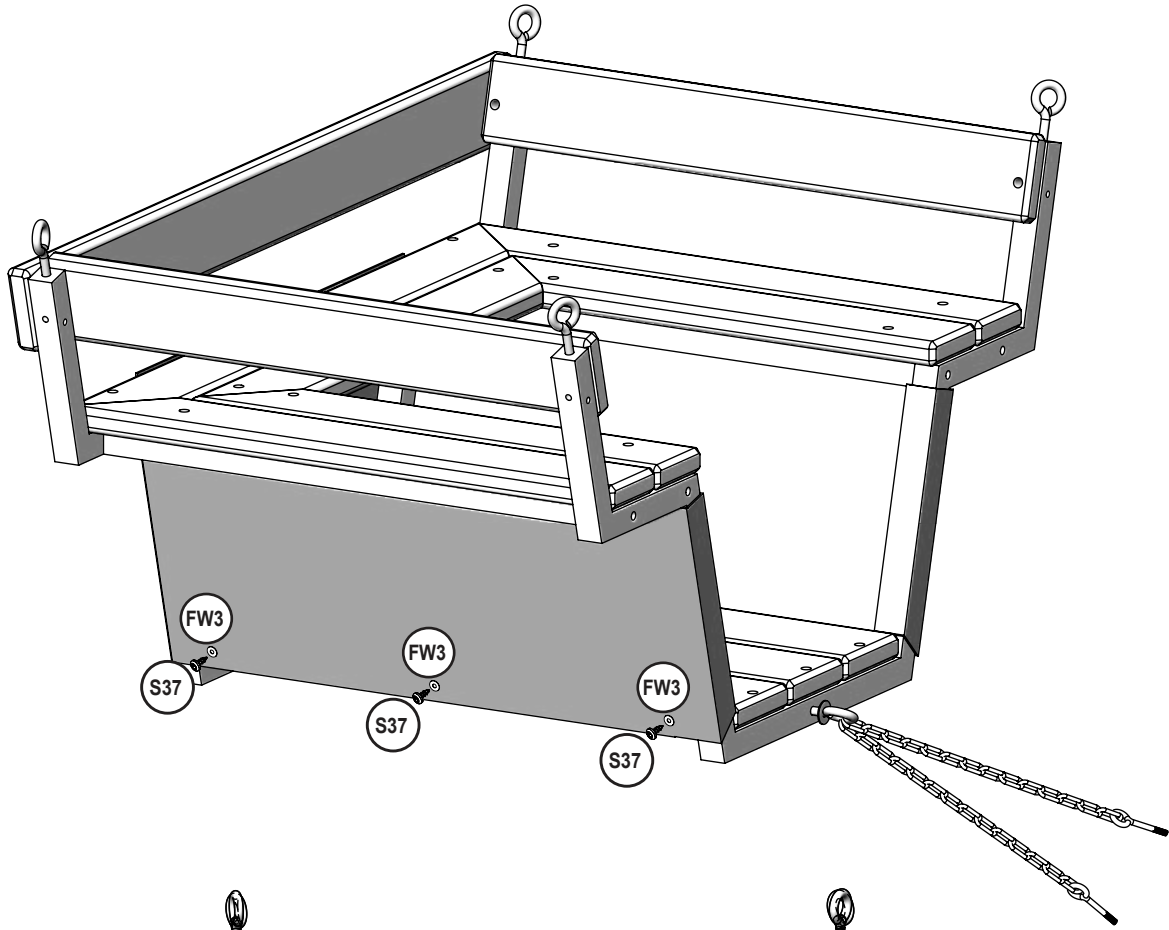
# Step 43



### Hardware

6 x (S37) #7 x 15.87mm (#7 x 5/8") (FW3)

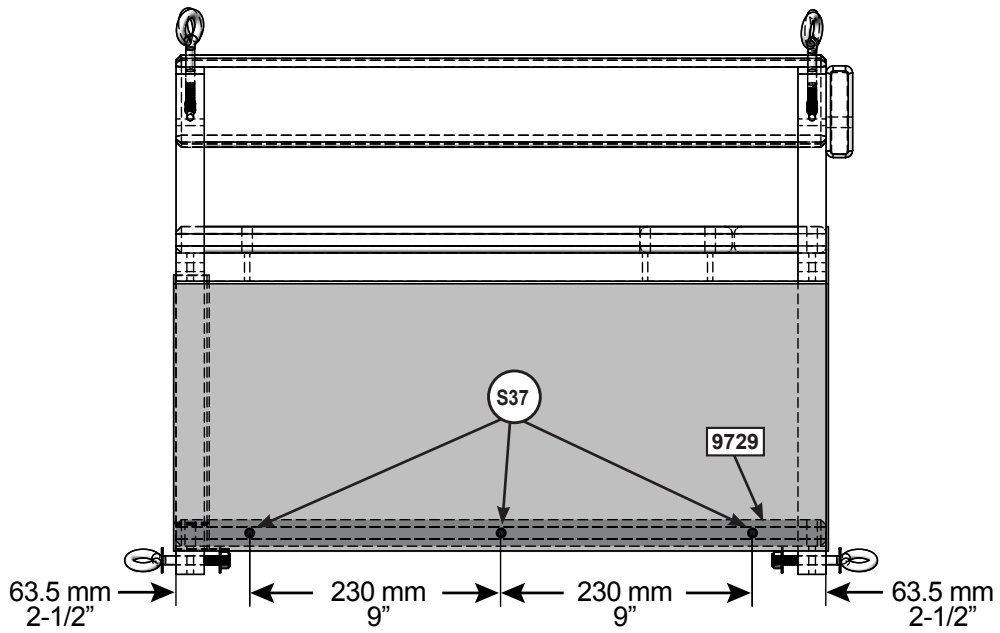
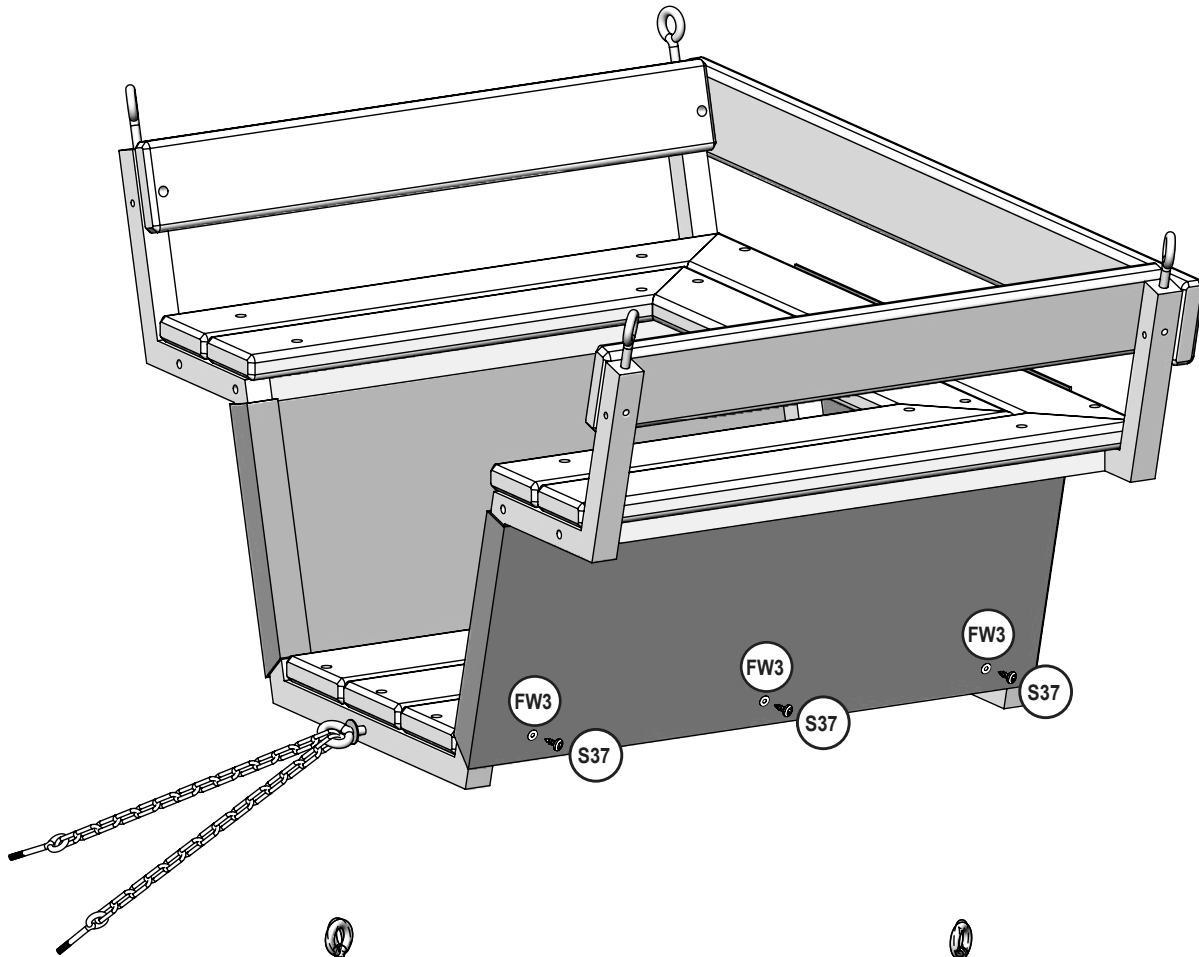
# Step 44



### Hardware

3 x (S37) #7 x 15.87mm (#7 x 5/8") (FW3)

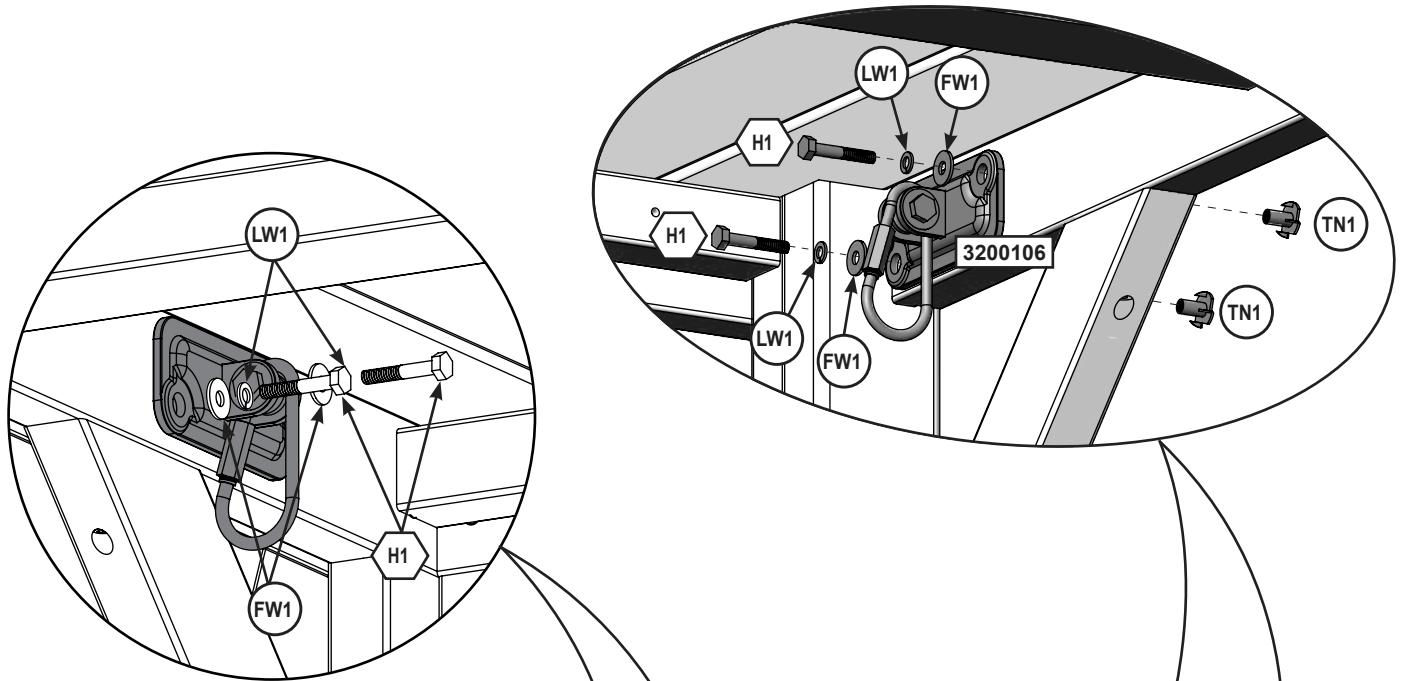
# Step 45



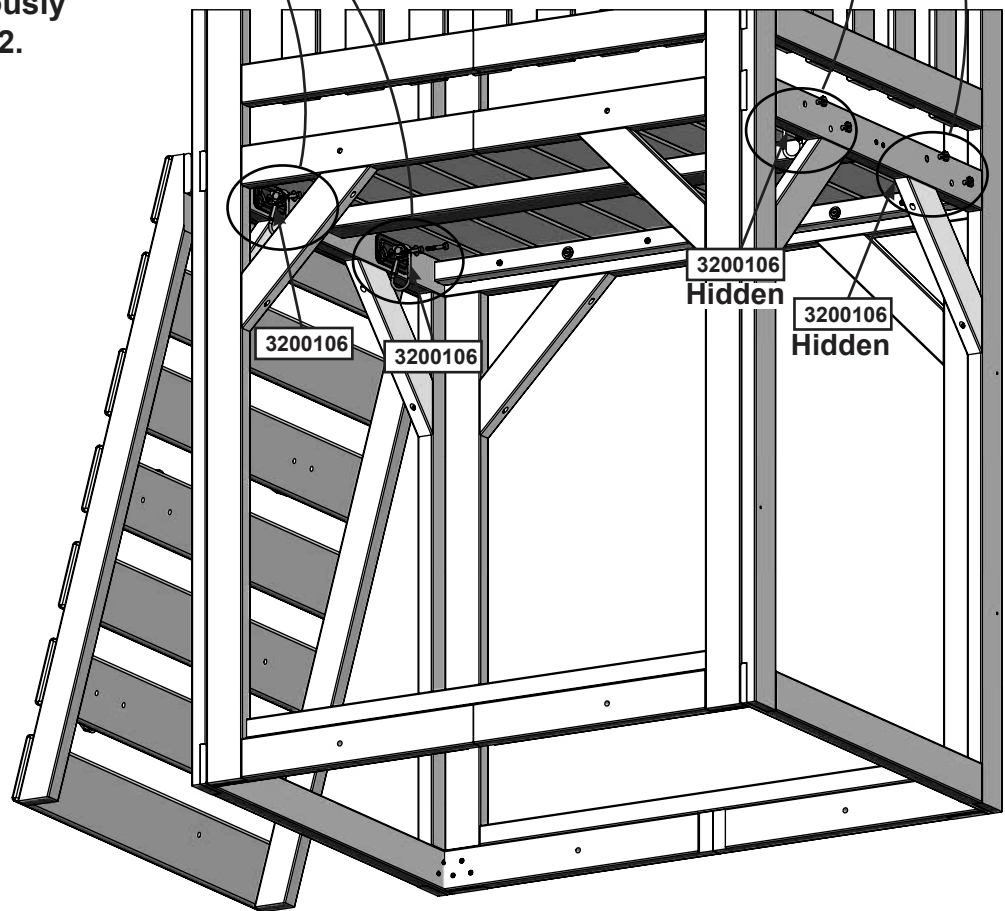
## Hardware

3 x S37 #7 x 15.87mm (#7 x 5/8") (FW3)

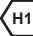
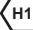
# Step 46




**Note: T-Nut previously installed in Step 12.**



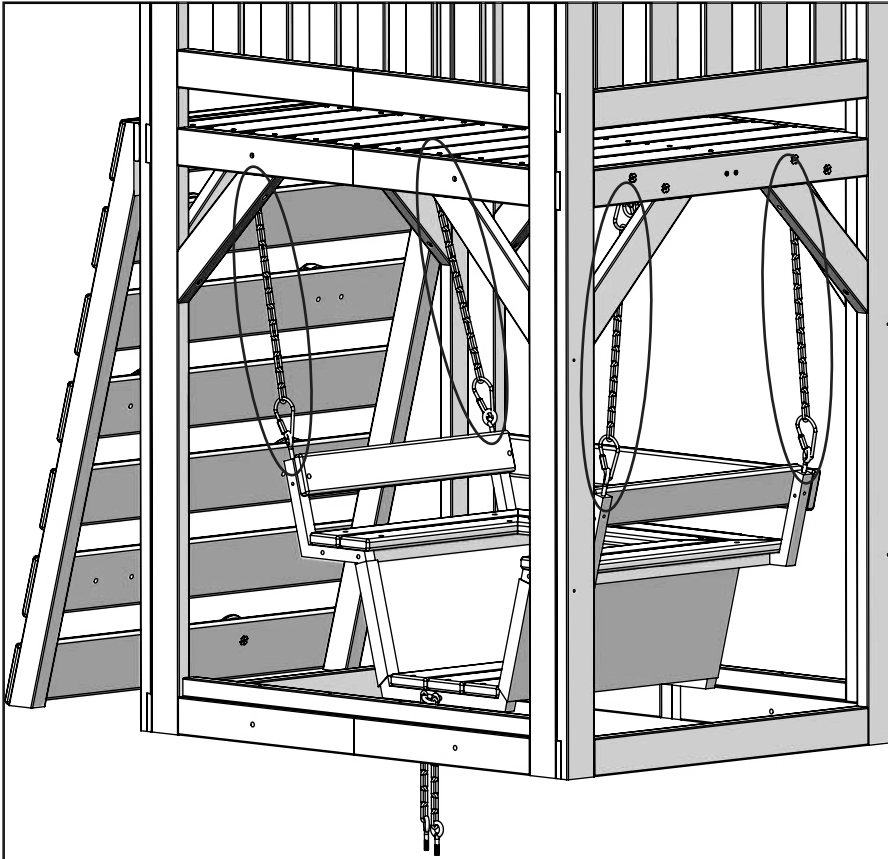
### Hardware

- 4 x  6.4mm x 38.1mm (1/4 x 1-1/2" )(LW1, FW1, TN1)
- 4 x  6.4mm x 38.1mm (1/4 x 1-1/2" )(LW1, FW1)

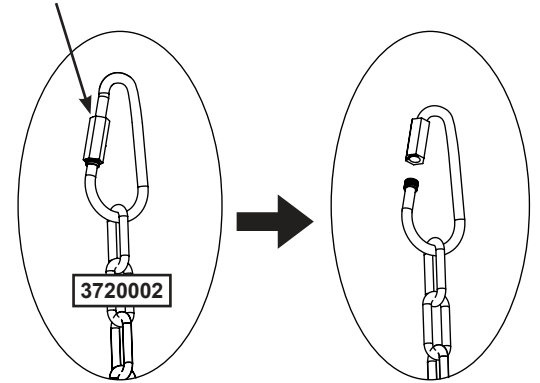
### Other Parts

- 1 x 

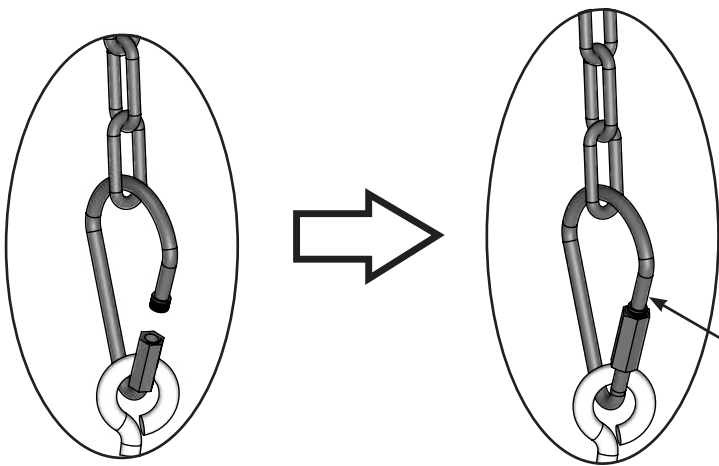
# Step 47



Quick Link  
Tighten Threaded Quick Link using adjustable wrench

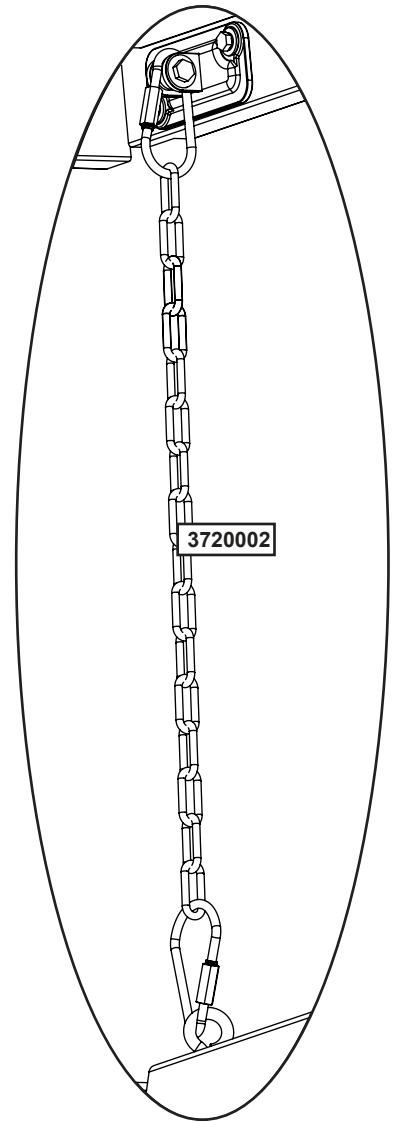


**Caution:** Threaded Quick Links must be installed with the gate completely down covering the threads and tighten as instructed.

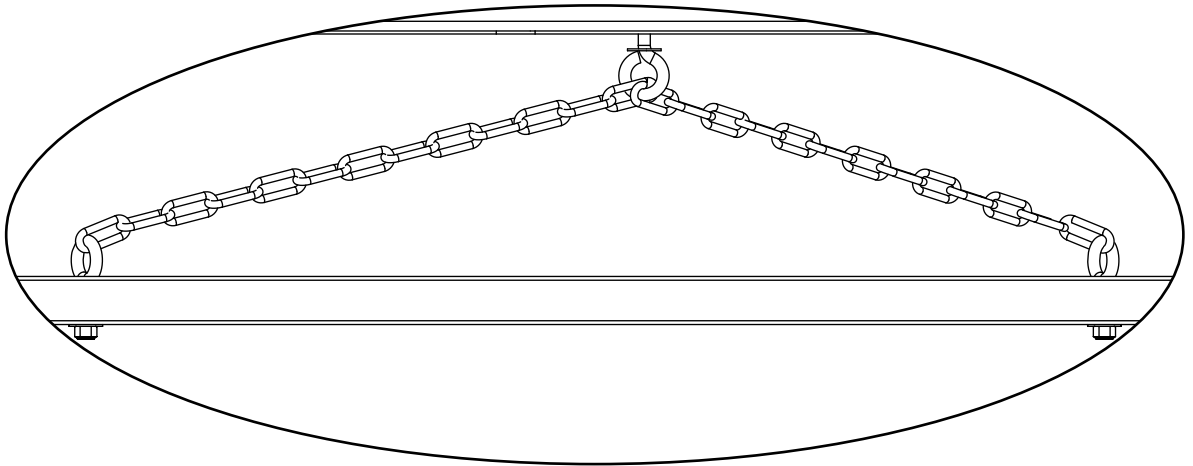
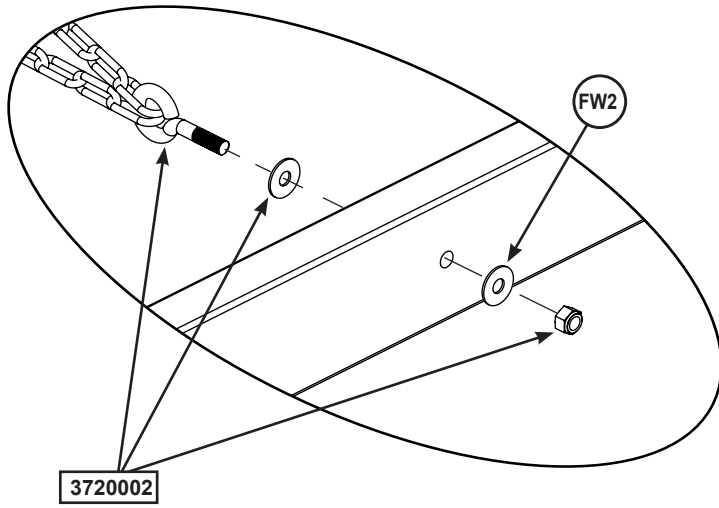
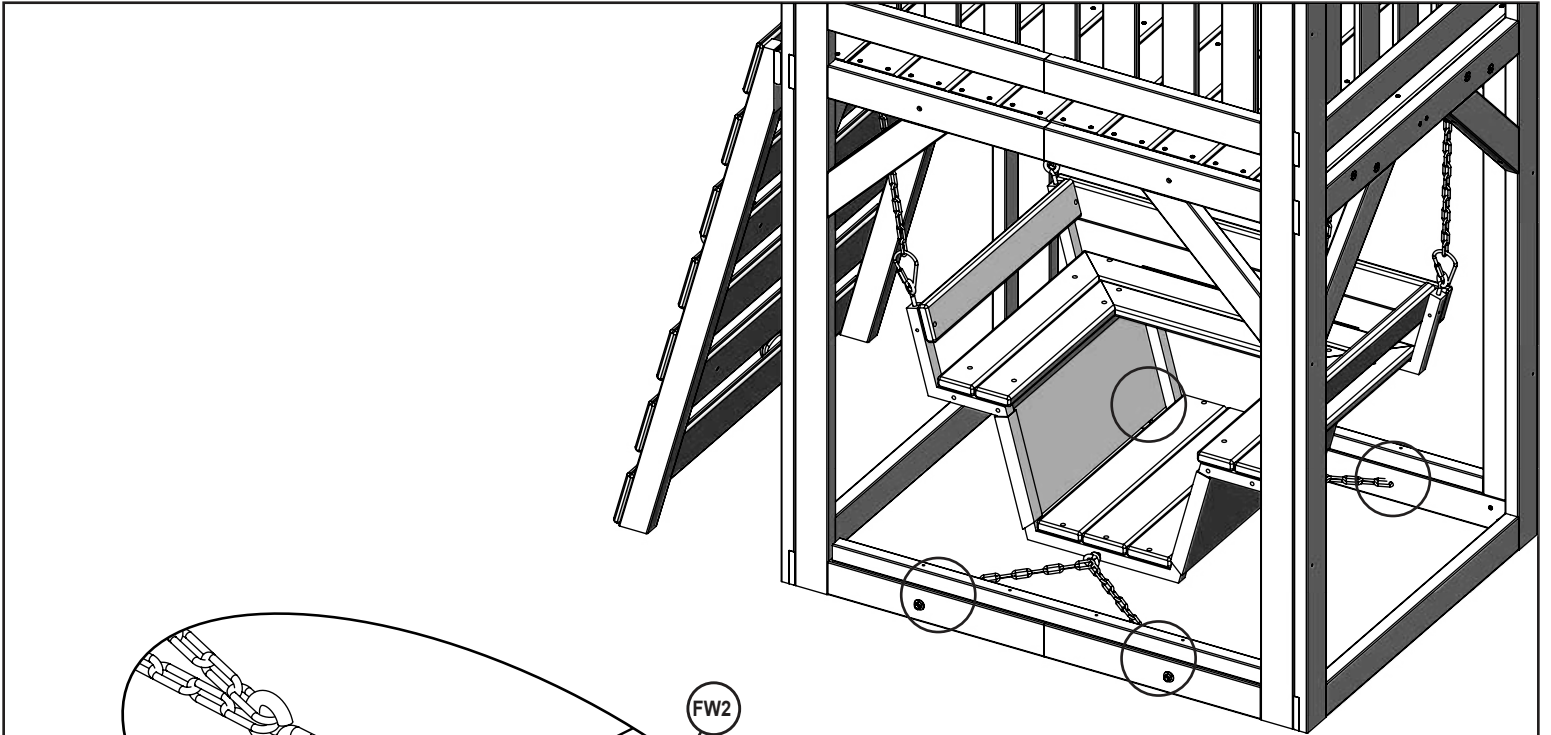


Threaded Quick Links attach to chat swing and the fort.

Tighten Threaded Link using adjustable wrench



# Step 48

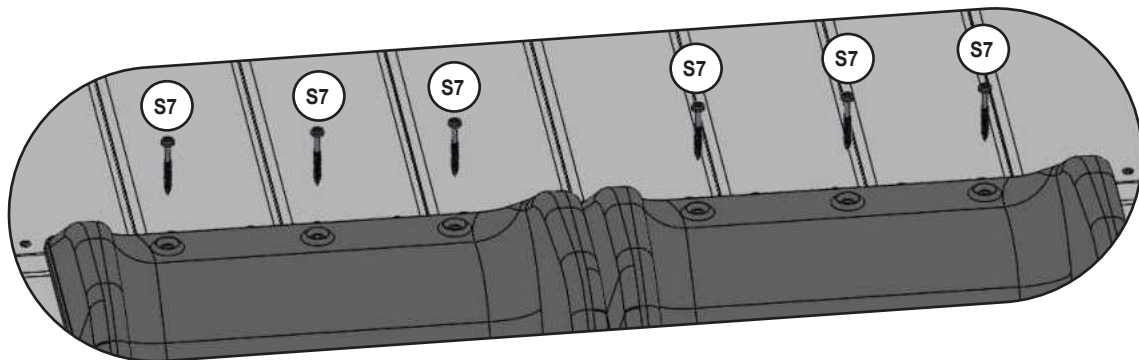
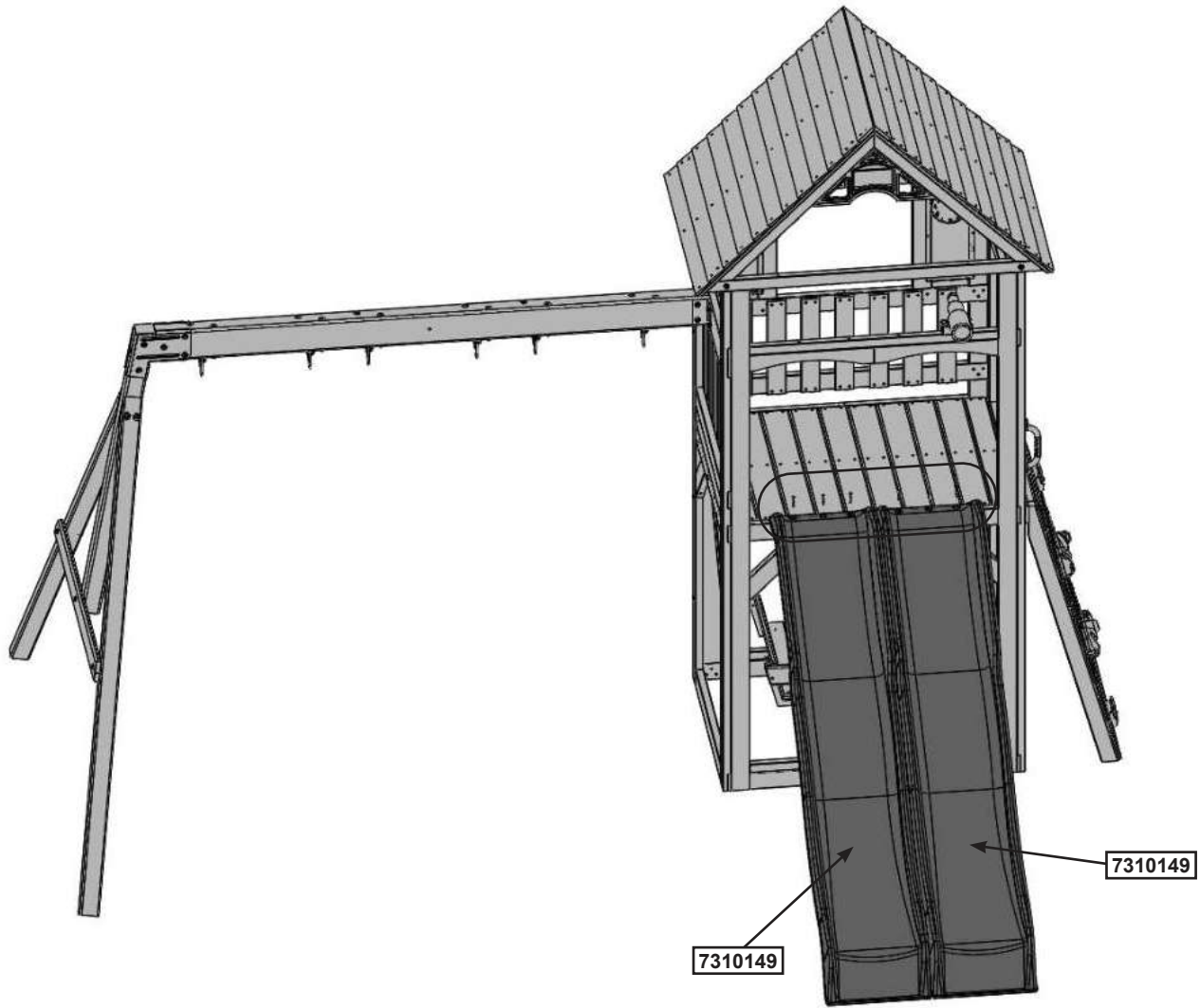


**Hardware**  
4 x FW2

# Step 49



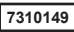
Note: Pre-drill all holes using a 1/8" drill bit before installing the S7 screws.



### Hardware

6 x  #12 x 50.8mm (#12 x 2")

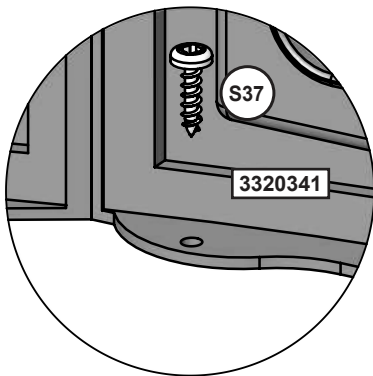
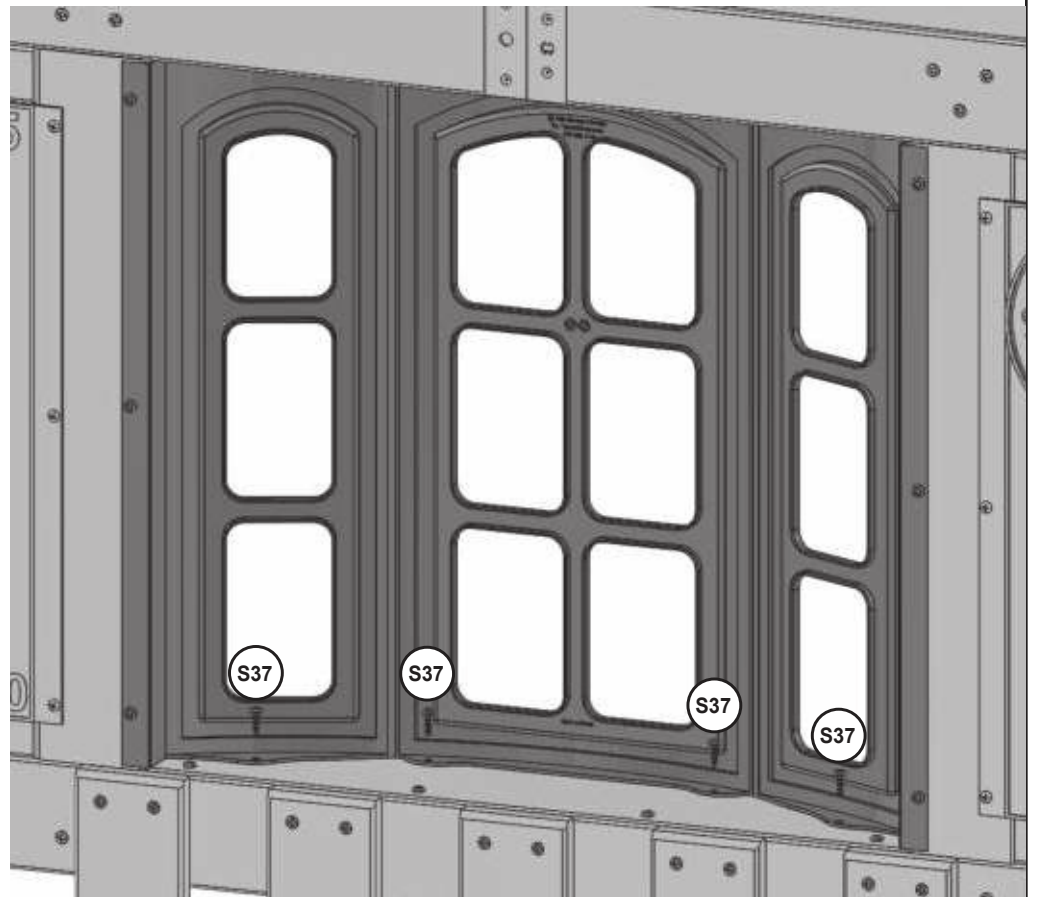
### Other Parts

2 x 

# Step 50



Inside View



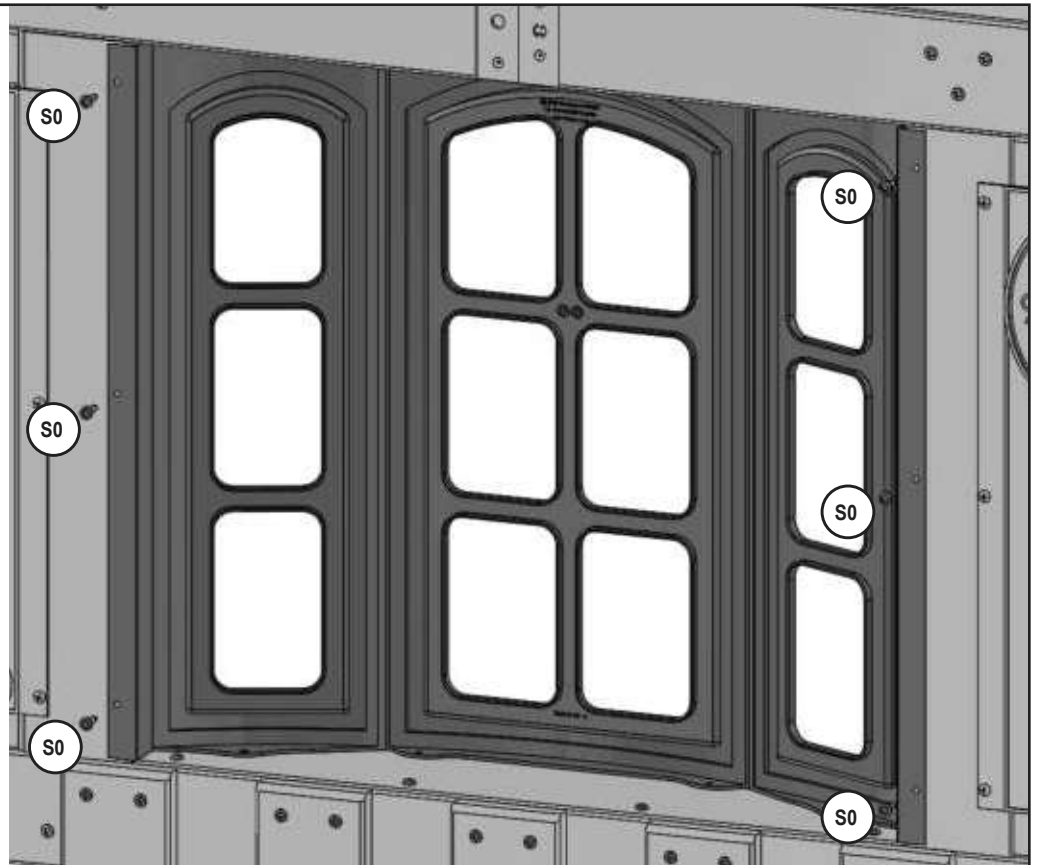
### Hardware

- 4 x **S0** #8 x 22.2mm (#8 x 7/8")
- 4 x **S37** #7 x 16 mm (#7 x 5/8")

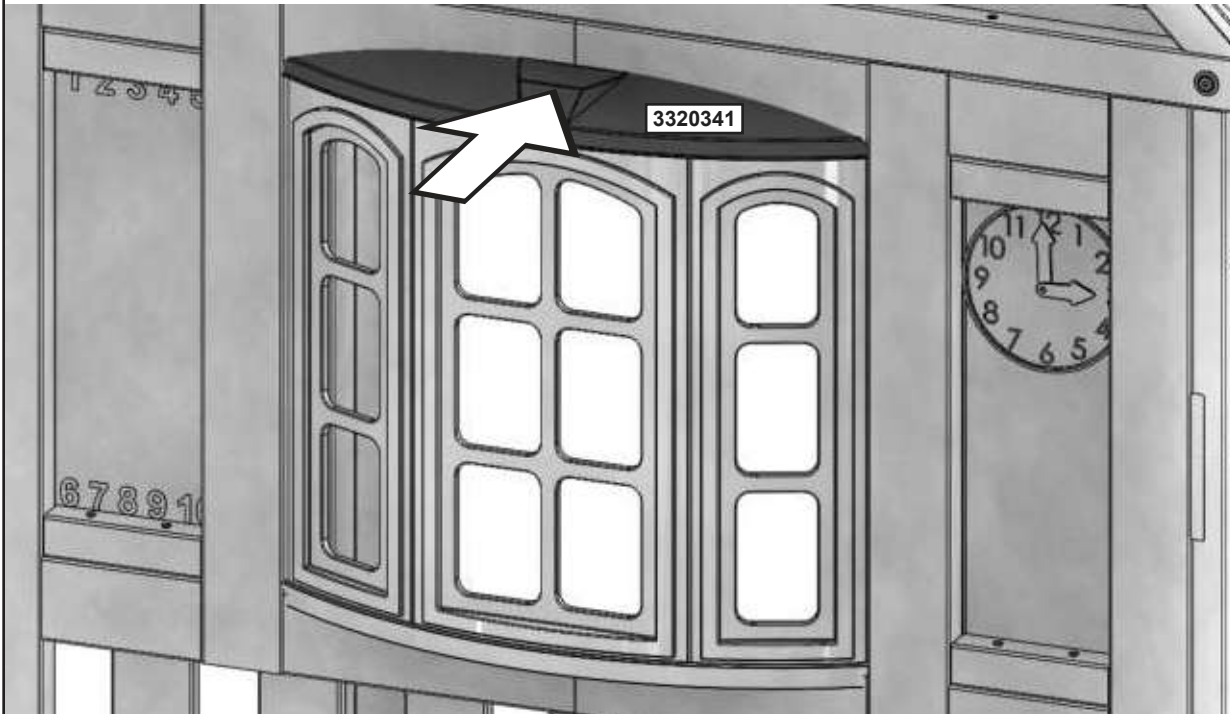
### Other Parts

- 1 x **3320341**

# Step 51



Outside View

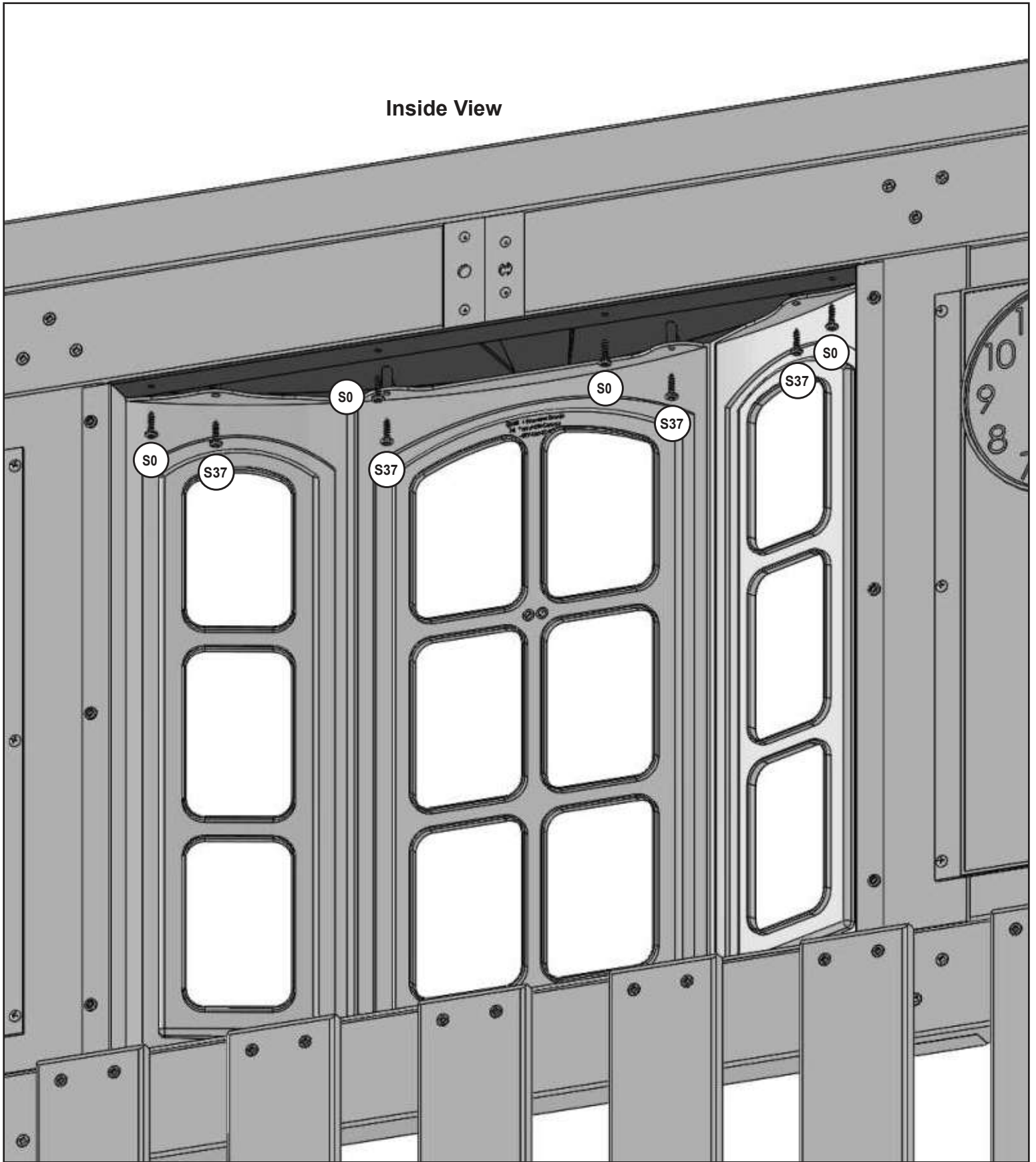


### Hardware

6 x  #8 x 22.2mm (#8 x 7/8")

## Step 52

### Inside View



#### Hardware

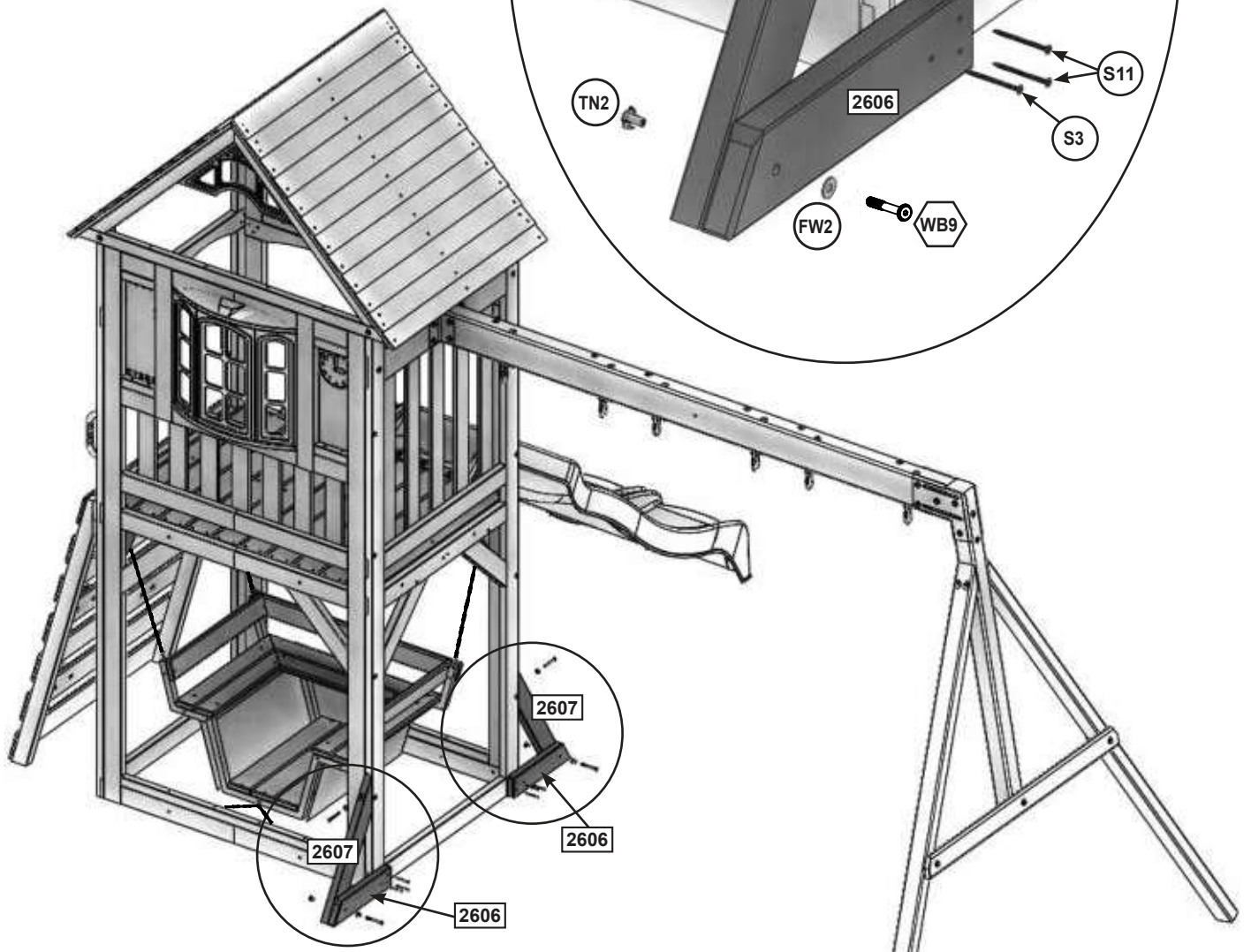
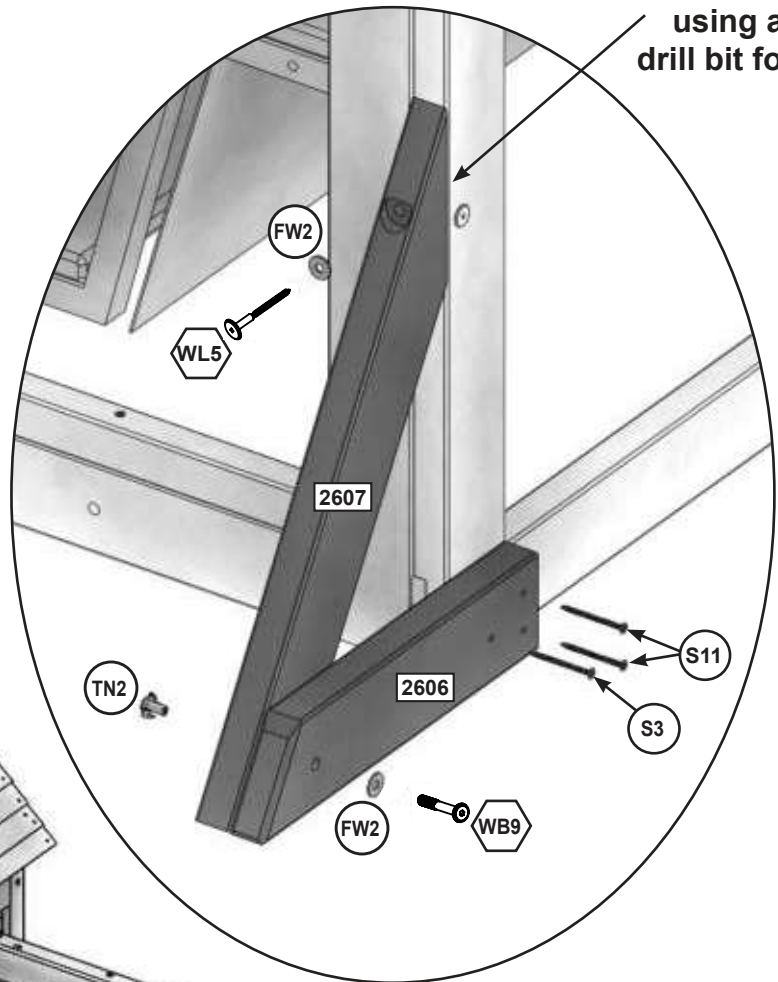
4 x  #8 x 22.2 mm (#8 x 7/8")

4 x  #7 x 16 mm (#7 x 5/8")

# Step 53



Pre-drill hole using a 3/16" drill bit for WL5



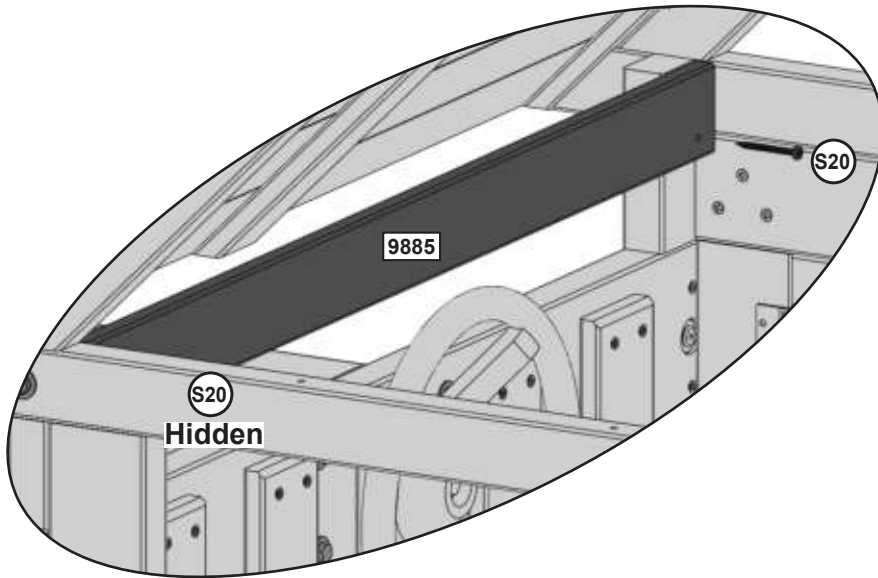
### Wood Parts

- 2 x **2606** 23.8 x 82.6 x 362 mm (15/16 x 3-1/4 x 14-1/4")
- 2 x **2607** 31.8 x 76.2 x 558.8 mm (1-1/4 x 3 x 22")

### Hardware

- 2 x **WB9** 7.9 x 54 mm (5/16 x 2-1/8") (FW2, TN2)
- 2 x **S3** #8 x 64 mm (#8 x 2-1/2")
- 2 x **WL5** 6.4 x 63.5 mm (1/4 x 2-1/2") (FW2)
- 4 x **S11** #8 x 50.8 mm (#8 x 2")

# Step 54



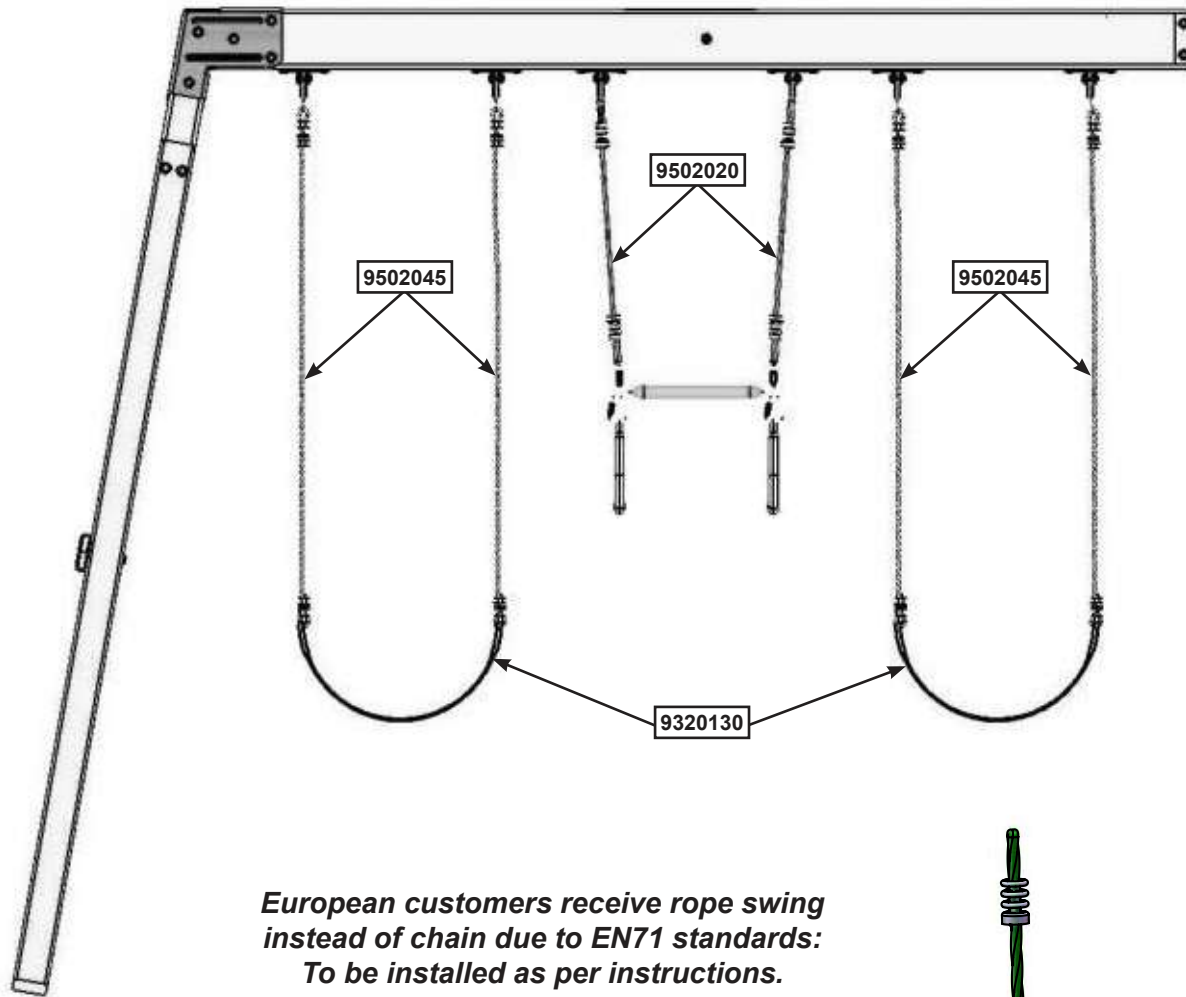
### Wood Parts

1 x **9885** 15.9 x 63.5 x 849.8 mm (5/8 x 2-1/2 x 33-7/16")

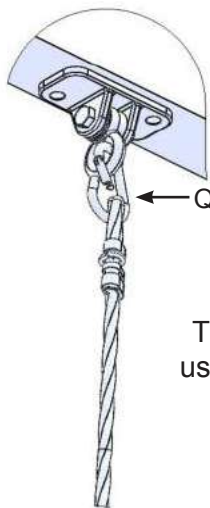
### Hardware

2 x **S20** #8 x 34.9 mm (#8 x 1-3/8")

# Step 55



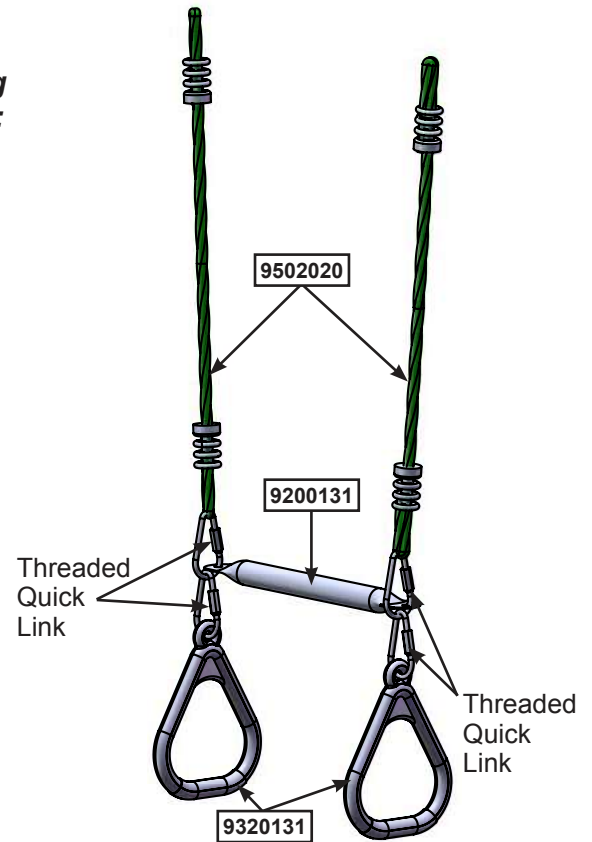
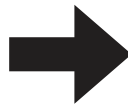
*European customers receive rope swing instead of chain due to EN71 standards:  
To be installed as per instructions.*



Tighten Threaded Link using adjustable wrench



Threaded Link attach to Swing and Acro ropes.



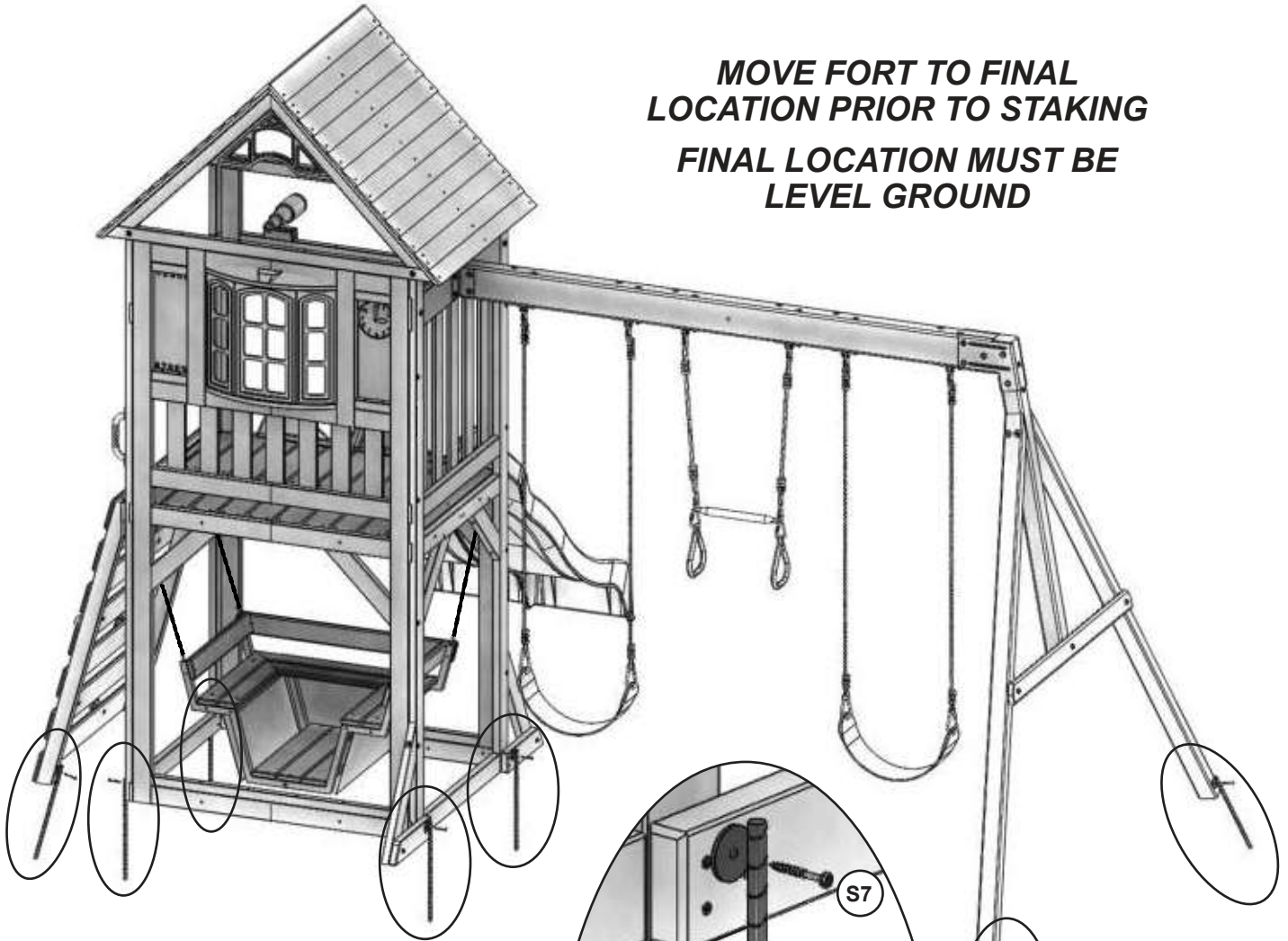
### Other Parts

2 x 9502020	2 x 9320130	2 x 9320131
4 x 9502045	1 x 9200131	2 x 9200020

# Step 56

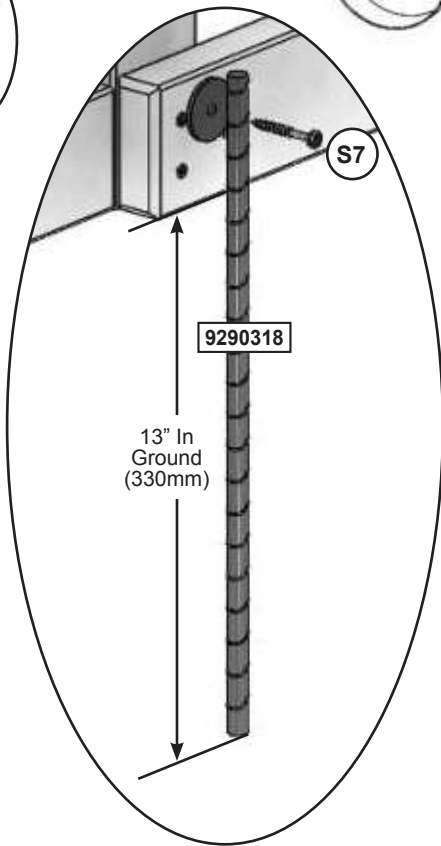


**MOVE FORT TO FINAL  
LOCATION PRIOR TO STAKING  
FINAL LOCATION MUST BE  
LEVEL GROUND**



**Warning!** To prevent tipping and avoid potential injury, stakes must be driven 13" (330mm) into ground. Digging or driving stakes can be dangerous if you do not check first for under-ground wiring, cables or gas lines.

**SEE FRONT COVER FOR  
SAFETY CLEARANCE**



**Hardware**

7 x **S7** #12 x 50.8 mm (#12 x 2")

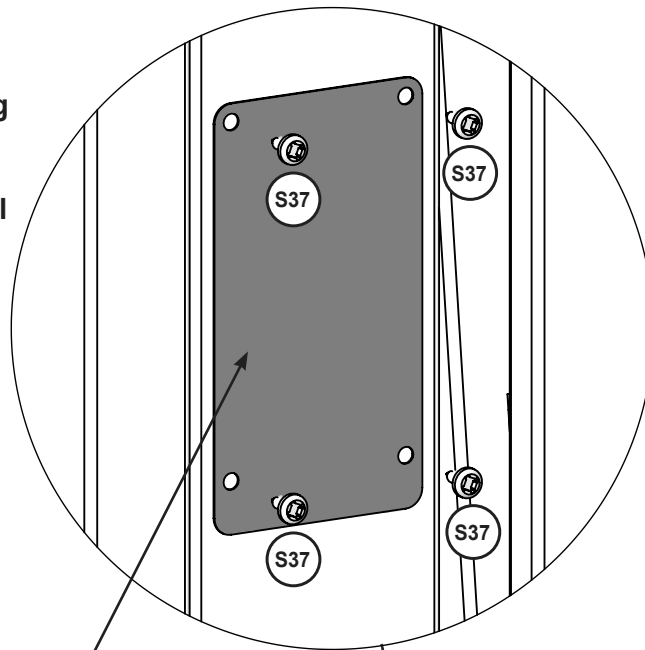
**Other Parts**

7 x **9290318**

# Step 57

## ATTACH THIS WARNING & I.D. PLAQUE TO THIS LOCATION ON YOUR PLAY EQUIPMENT!

This provides warnings concerning safety and important contact information. A Tracking Number is provided to allow you to get critical information or order replacement parts for this specific model.



**⚠ WARNING**  
**⚠ AVERTISSEMENT**

**CONTINUOUS ADULT SUPERVISION REQUIRED!**

**STRANGULATION HAZARDS**  
**Never** allow children to play with ropes, clotheslines, pet leashes, cables, chains or cord-like items when using this playset or to attach these items to play-set.  
**Never** allow children to wear loose fitting clothing, ponchos, hoods, scarves, capes, necklaces, or items with draw-strings, cords or ties when using this play-set.  
**Never** allow children to wear bike or sport helmets when using this play-set.  
 Failure to prohibit these items increases the risk of serious injury and death to children from entanglement and strangulation.

**SERIOUS HEAD INJURY HAZARD**  
 Maintain shock absorbing material under and around play-set as recommended in the Installation & Operating Instructions. Installation over concrete, asphalt, dirt, grass, carpet and other hard surfaces creates a risk of serious injury or death from falls to the ground.

---

**SURVEILLANCE CONSTANTE D'ADULTES EST REQUIS!**

**Risques D'étranglement**  
**Ne jamais** laisser les enfants jouer avec des cordes, cordes à linge, laisses pour animaux, des câbles, des chaînes ou ces type articles pendant de l'utilisation de cet portique de jeu ou à l'attaché de ces éléments à la portique de jeu.  
**Ne jamais** laissez les enfants de porter des vêtements amples, des ponchos, des hottes, des foulards, capes, des colliers ou des articles avec cordes attirant ou les cordons pendant l'utilisation de cet portique de jeu.  
**Ne jamais** laissez les enfants porter un casque de vélo ou de sport quand ils utilisent ce portique de jeu.  
 Défaut d'interdire ces éléments augmente le risque de blessures graves et de décès des enfants de enchevêtrement et d'étranglement.

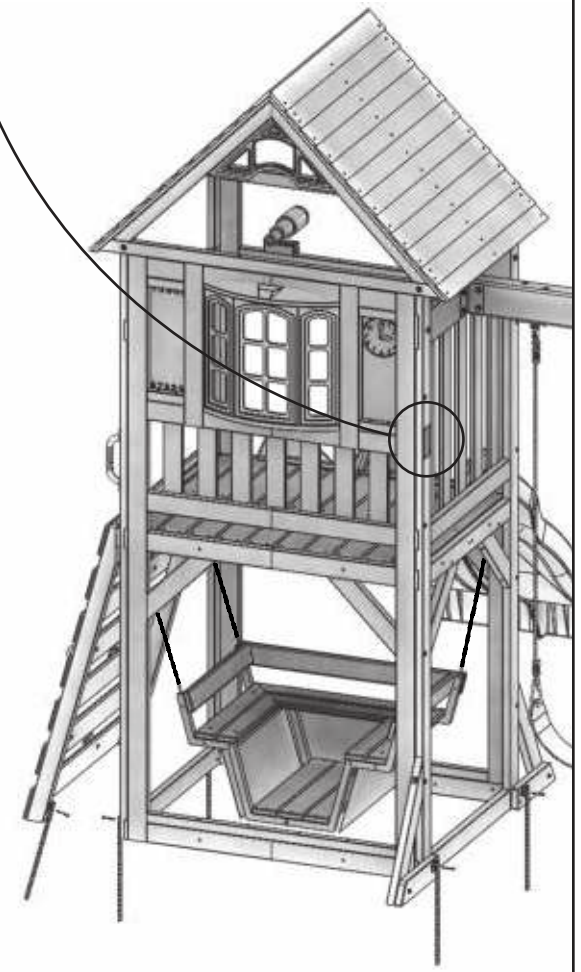
**RISQUE DE BLESSURES GRAVES DU TÊTE**  
 Maintenir le matériau absorbant les chocs sous et autour de la portique de jeu comme recommandé dans les Instructions D'installation. Installation sur béton, de l'asphalte, sol, de l'herbe, tapis et autres surfaces dure crée un risque de blessure à la tête graves ou la mort causé par tomber à la sol.

THIS PRODUCT IS INTENDED FOR USE BY CHILDREN FROM AGES 3 TO 10; weight limit of 110 lbs. per child. Maximum number of users, Installation & Operating Instructions; other information is available at:  
 POUR LES ENFANTS DE 3 À 10 ANS D'ÂGE; limite de 110 Livres par enfant. Nombre maximum d'utilisateurs, installation et d'utilisation; d'autres informations sont disponibles sur:

[www.KidKraft.com](http://www.KidKraft.com)  
 Contact us at: KidKraft  
 Dallas, TX 75244 USA  
 1-800-933-0771

Tracking Number:  
 Numéro de Suivi:

9320374



### Hardware

4 x #7 x 16 mm (#7 x 5/8")

### Other Parts

1 x 9320374



**CEDAR SUMMIT**  
**Consumer Registration Card**

First Name

Initial

Last Name

--	--	--

Street

Apt. No.

--	--

City

State/Province ZIP/Postal Code

--	--	--

Country

Telephone Number

--	--

E-Mail Address

--

Model Name

Model Number (Box Labels)

--	--

Serial Number (on ID Plaque)

--

Date Purchase

Purchased From

--	--

MM / DD / YY

How would you rate this product for quality?

- Excellent       Very Good       Average       Below Average       Poor

How would you rate this product for ease of assembly?

- Excellent       Very Good       Average       Below Average       Poor

How would you rate our instructions?

- Excellent       Very Good       Average       Below Average       Poor

How would you rate the quality of packaging?

- Excellent       Very Good       Average       Below Average       Poor

Would you recommend the purchase of our products to friends and family?

- Yes       No

Comments:

---

---

---

**MAIL TO:**

KidKraft  
4630 Olin Road  
Dallas, TX 75244  
United States  
Attention: Customer Service



Fill out your registration card online at  
[www.cedarsummitplay.com/registration](http://www.cedarsummitplay.com/registration)

Cedar Summit by KidKraft would like to say  
Thank You for your time and feedback.

CUT ALONG LINE

